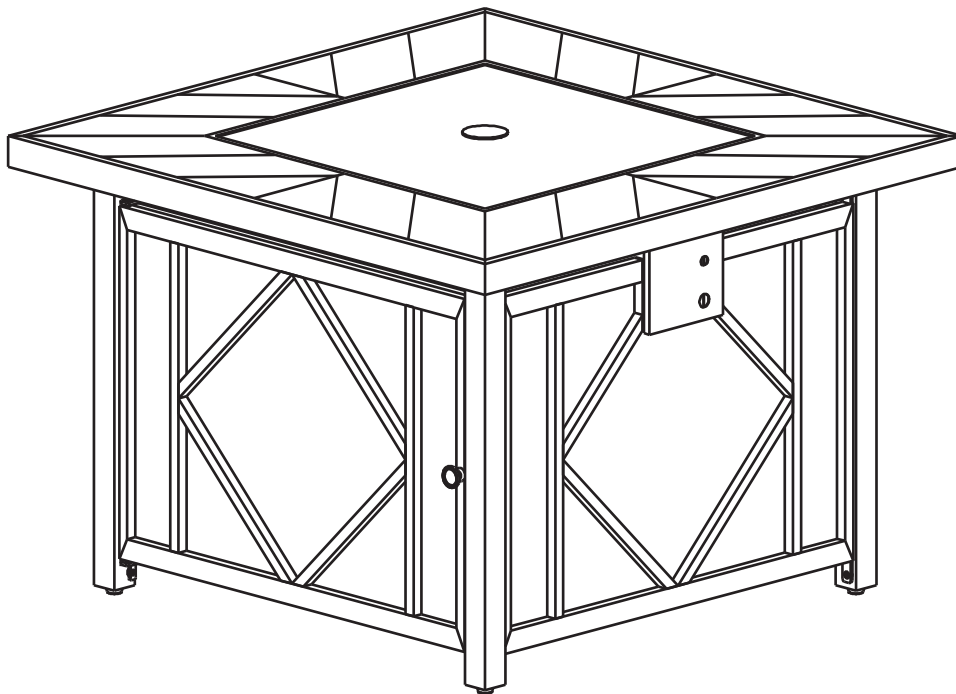




Item # 1002633097
Model # SRGF11603B

USE AND CARE GUIDE

35 in. Square Gas Fire Pit



Questions, problems, missing parts? Before returning to the store, call Hampton Bay Customer Service 8 a.m. – 7 p.m., EST, Monday – Friday, 9 a.m. – 6 p.m., EST, Saturday

1-855-HD-HAMPTON

HAMPTONBAY.COM

THANK YOU



We appreciate the trust and confidence you have placed in Hampton Bay through the purchase of this fire pit.


We strive to continually create quality products designed to enhance your home. Visit us online to see our full line of products available for your home improvement needs. Thank you for choosing Hampton Bay !

Table of Contents

Table of Contents.....	2	Assembly.....	7
Safety Information.....	2	Cylinder Installation.....	10
Warranty.....	4	Operation.....	11
What is Covered.....	4	Maintenance.....	12
What is Not Covered.....	4	Care and Cleaning.....	12
Pre-Assembly.....	5	Trouble Shooting.....	12
Planning Assembly.....	5	Service Parts.....	13
Tools Required.....	5		
Hardware Included.....	5		
Package Contents.....	6		

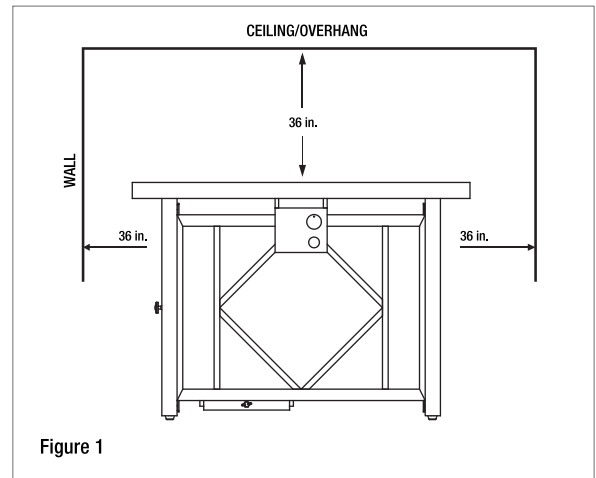
Safety Information

 DANGER	CARBON MONOXIDE HAZARD This appliance can produce carbon monoxide which has no odor. Using it in an enclosed space can kill you. Never use this appliance in an enclosed space such as a camper, tent, car or home.
	

	WARNING: Improper installation, adjustment, alteration, service or maintenance can cause injury or property damage. Read the installation, operation and maintenance instructions thoroughly before installing or servicing this equipment.
	WHAT TO DO IF YOU SMELL GAS? <ul style="list-style-type: none">• Do not try to light the appliance.• Do not touch any electrical switch; do not use any phone in the vicinity of this product.• Immediately call your gas supplier from a neighbor's phone. Follow the gas supplier's instructions.• If you cannot reach your gas supplier, call the fire department.
	Installation and service must be performed by a qualified installer, service agency or gas supplier.

Safety Information (continued)

1. The installation must conform with local codes or, in the absence of local codes, with the CAN/CGA-B 149.2, Propane Installation Code.
2. The burner must be replaced prior to the appliance being put into operation if it is evident that the burner is damaged. The replacement burner shall be that specified by the manufacturer.
3. Installation and repair should be done by a qualified service person. The appliance should be inspected before use and at least annually by a qualified service person. More frequent cleaning may be required as necessary. It is imperative that control compartment, burners, and circulating air passageways of the appliance be kept clean.
4. Always place the appliance on a firm and level surface.
5. Do not burn solid fuels in this gas appliance.
6. Use the appliance outdoors in a well-ventilated space only, not in a building, garage, or any other enclosed area.
7. When using the appliance, keep the appliance area clear and at least 50 inches from combustibles, gasoline and other flammable liquid and vapors. Certain items or materials, when stored under the appliance or nearby, will be subjected to radiant heat and could be seriously damaged.
8. Inspect the gas connections of appliance prior to each use. Do not operate the unit if there is gas leak. A qualified service person should inspect the appliance annually.
9. Alert children and adults to the hazards of high surface temperatures and keep them away to avoid burns or clothing ignition.
10. Carefully supervise children and pets when they are near the appliance.
11. Replace and guard or other protective device removed for servicing.
12. Do not hang clothing or other flammable materials on or near the appliance.
13. Do not use the appliance if any part has been under water. Immediately call a qualified service technician to inspect the appliance and to replace any part of the control system and any gas control which has been under water.
14. The LP-gas supply cylinder to be used must be: Constructed and marked in accordance with the Specifications for LP-gas cylinders of the U.S. Department of Transportation (DOT); or the Standard for Cylinders, Spheres and Tubes for Transportation of Dangerous Goods and Commission, CAN/CSA-B339, as applicable;
15. The LP-gas supply cylinder to be used must be provided with a listed overfilling prevention device and provided with a cylinder connection for the appliance.
16. Use only a cylinder supply system arranged for vapor withdrawal, and the cylinder must include a collar to protect the cylinder valve.



Specification

Product name	Gas Fire Pit
Model No.	SRGF11603B
Rated Heat output	50,000 BTU
Fuel	LP
Gas Supply	20-lb. LP - gas cylinder
Gas Supply Pressure	Max. 250 PSI, Min 5 PSI
Manifold Pressure	11 Inches W.C.
Orifice Size (diameter)	2.18 mm

Safety Information (continued)



DANGER: If you smell gas: Shut off gas to the appliance. Extinguish any open flame. If odor continues, keep away from the appliance and immediately call your gas supplier or fire department.



WARNING: Do not store or use gasoline or other flammable vapors and liquids in the vicinity of this or any other appliance.
An LP-cylinder not connected for use shall not be stored in the vicinity of this or any other appliance.



WARNING: For Outdoor Use Only.



CAUTION: Installer: Leave the instruction manual to the user for future use. Consumer: Please keep this manual for future reference.



NOTE: This appliance requires 20 lb (9 kg) LP gas supply cylinder.



NOTE: PLEASE READ THE FOLLOWING SAFETY RULES:
Perform a leak test with a soapy solution:
1. To check gas connections.
2. After connecting a new cylinder.
3. Upon re-assembly after disassembly.

Warranty

ONE-YEAR LIMITED WARRANTY

WHAT IS COVERED

We warrant to the original consumer/purchaser that all aspects of this product will be free of defects in material and workmanship for one year from the date of purchase. A replacement for any defective part will be supplied free of charge for installation by the customer. The warranty shall be effective from the date of purchase as shown in the purchaser's receipt.

WHAT IS NOT COVERED

Defects or damage caused by the use of other than genuine parts are not covered by this warranty. We will not be responsible for labor charges and/or damage incurred in installation, repair and replacement, nor for incidental or consequential damage. This warranty gives you specific rights, and you may also have other rights that vary from state to state.

The warranty is valid for the original consumer/purchase only and excludes industrial, commercial or business use of product, product damage due to shipment or failure which results from alteration, product abuse, or product misuse, whether performed by a contractor, service company, or consumer.

Contact the Customer Service Team at 855-HD-HAMPTON or visit www.hamptonbay.com.

CA65 Propane Warning



WARNING: FUELS USED IN LIQUEFIED PROPANE GAS APPLIANCES, AND THE PRODUCTS OF COMBUSTION OF SUCH FUELS, CAN EXPOSE YOU TO CHEMICALS INCLUDING BENZENE, WHICH IS KNOWN TO THE STATE OF CALIFORNIA TO CAUSE CANCER AND CAUSE BIRTH DEFECTS OR OTHER REPRODUCTIVE HARM. For more information go to: www.P65Warnings.ca.gov.

ADVERTENCIA: LOS COMBUSTIBLES USADOS EN EQUIPOS PARA LICUAR GAS PROPANO, ASÍ COMO LOS PRODUCTOS DE SU COMBUSTIÓN, PUEDEN EXPONERTE A SUSTANCIAS QUÍMICAS, ENTRE ELLAS EL BENCENO, QUE EL ESTADO DE CALIFORNIA RECONOCE COMO CAUSA DE CÁNCER Y DE MALFORMACIONES CONGÉNITAS Y OTROS DAÑOS AL SISTEMA REPRODUCTOR. Para más información, visite www.P65Warnings.ca.gov.

Pre-Assembly

PLANNING ASSEMBLY

Before beginning assembly of product, make sure all parts are present. If any part is missing or damaged, do not attempt to assemble the product. Contact customer service for replacement parts.

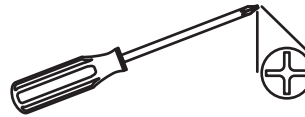
TOOLS REQUIRED



NOTE: Tools are not included in the package.



Adjustable Wrench



Philips screwdriver

HARDWARE INCLUDED



NOTE: Hardware not shown to actual size.



AA



BB

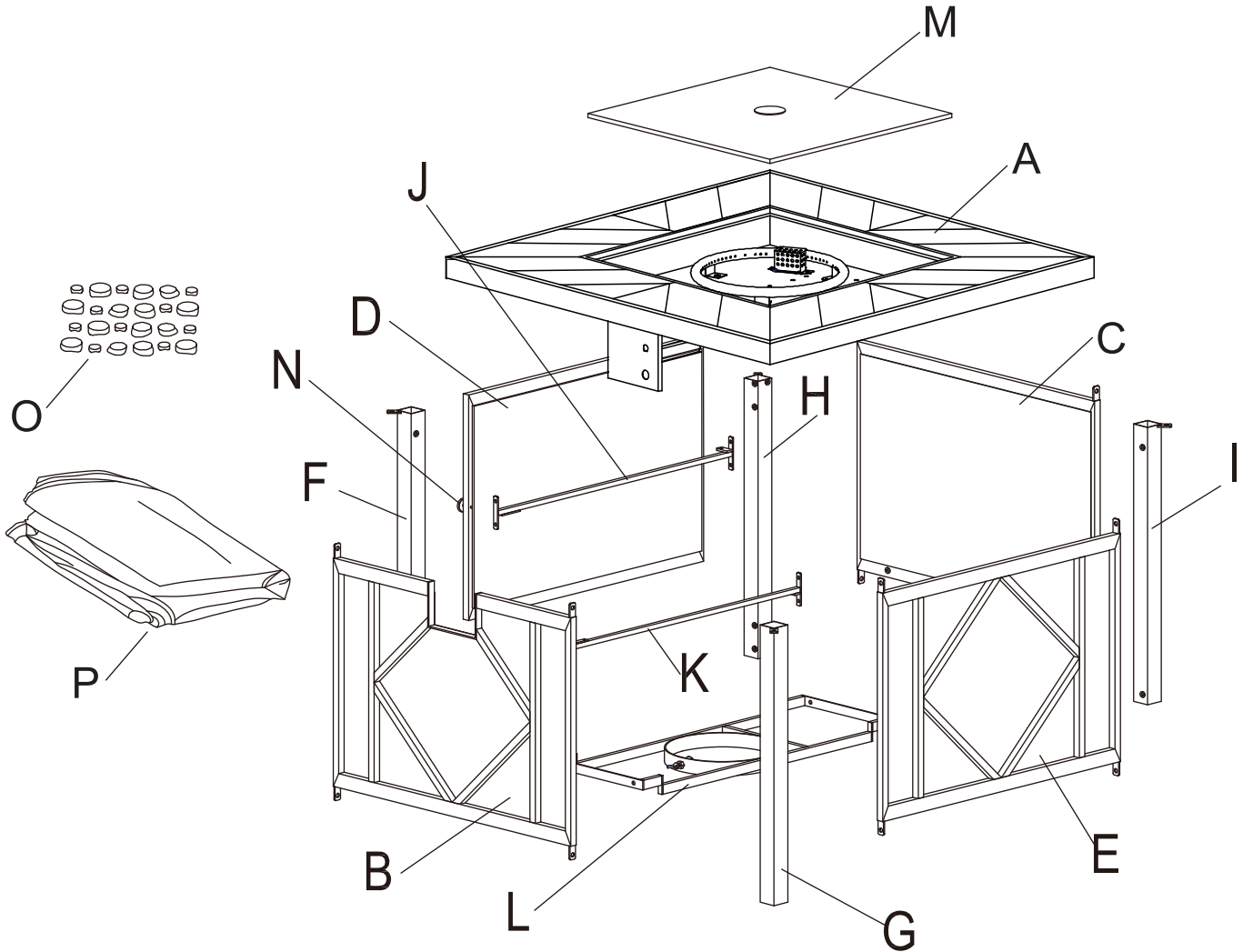


CC (Pre-assembled)

Part	Description	Quantity
AA	M6 x 15 Bolt	30
BB	D6 Washer	30
CC	Allen Wrench	1

Pre-Assembly (continued)

PACKAGE CONTENTS



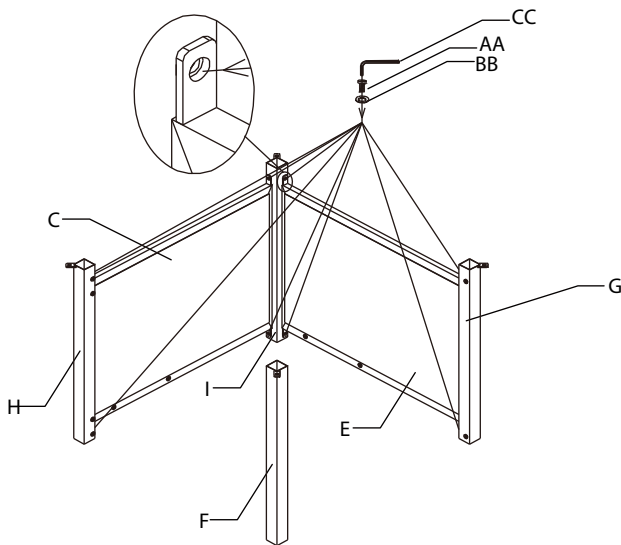
Part	Description	Quantity
A	Table Top	1 pc
B	Front Panel	1 pc
C	Back Panel	1 pc
D	Door Panel	1 pc
E	Right Panel	1 pc
F	Left Foreleg	1 pc
G	Right Foreleg	1 pc
H	Left Hind Leg	1 pc

Part	Description	Quantity
I	Right Hind Leg	1 pc
J	Upper Crossbar	1 pc
K	Lower Crossbar	1 pc
L	Cylinder Holder Assembly	1 pc
M	Lid	1 pc
N	Door Handle	1 pc
O	Lava Rocks	13.2 lbs
P	Cover	1 pc

Assembly

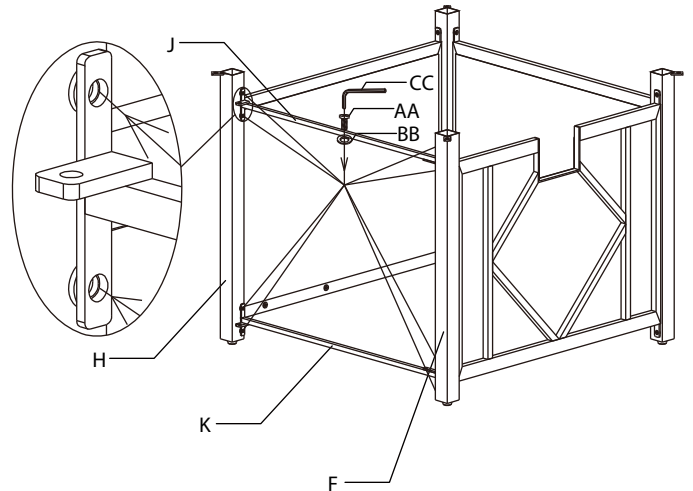
1 Assembling the Back Panel

- Attach the back panel (C) to the left hind leg (H) and right hind leg (I) with four M6 x 15 bolts (AA) and four D6 washers (BB) using the Allen wrench (CC). Attach the right panel (E) to the right foreleg (G) and right hind leg (I) with four M6 x 15 bolts (AA) and four D6 washers (BB) using the Allen wrench (CC).
Do not fully tighten hardware until entire step is completed.



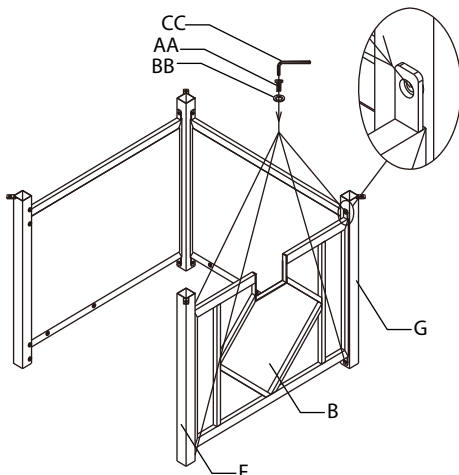
3 Attaching the Crossbars

- Attach the upper crossbar (J) and lower crossbar (K) to the left foreleg (F) and left hind leg (H) with eight M6 x 15 bolts (AA) and eight D6 washers (BB) using the Allen wrench (CC).
Do not fully tighten hardware until entire step is completed.



2 Attaching the Front Panel

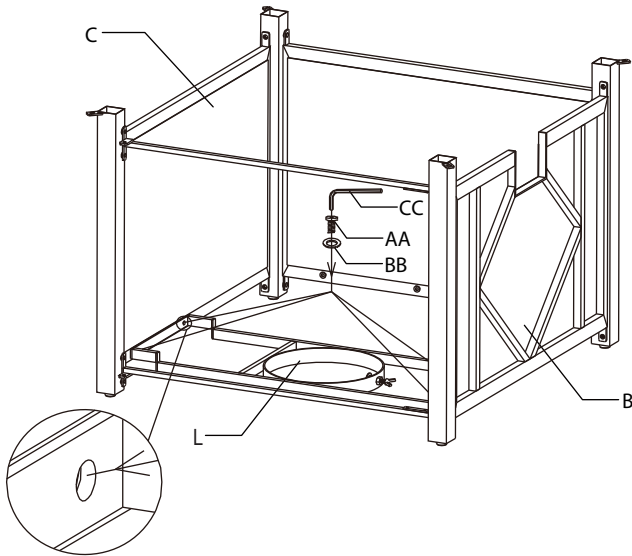
- Attach the front panel (B) to the left foreleg (F) and right foreleg (G) with four M6 x 15 bolts (AA) and four D6 washers (BB) using the Allen wrench (CC).
Do not fully tighten hardware until entire step is completed.



Assembly (continued)

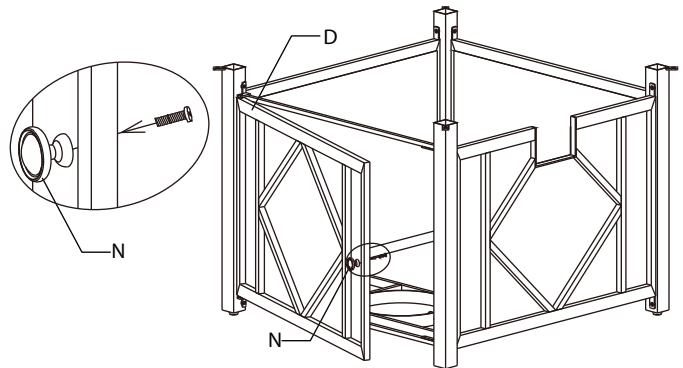
4 Attaching the Cylinder Holder

- Attach the cylinder holder assembly (L) to the front panel (B) and back panel (C) with four M6 x 15 bolts (AA) and four D6 washers (BB) using the Allen wrench (CC). Do not fully tighten hardware until entire step is completed.



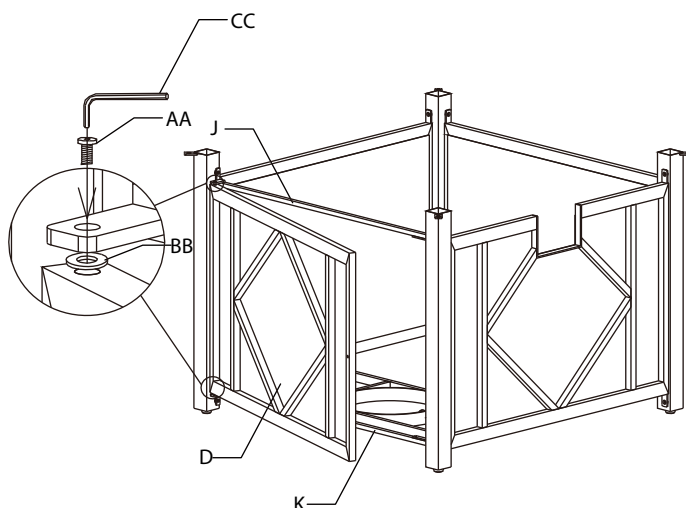
6 Attaching the Door Handle

- Loosen the screw on the door handle (N), then attach the door handle (N) to the door panel (D) using a Phillips Screwdriver (not included).



5 Attaching the Door Panel

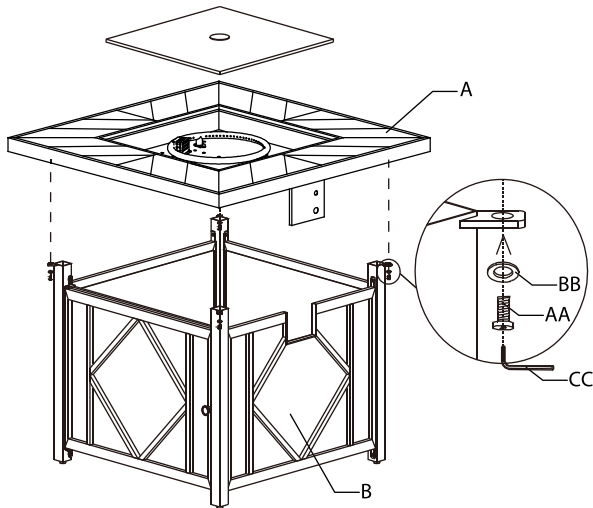
- Attach the door panel (D) to the upper crossbar (J) and lower crossbar (K) with two M6x15 bolts (AA) and two D6 washers (BB) using the Allen wrench (CC). Do not fully tighten hardware until entire step is completed.



Assembly (continued)

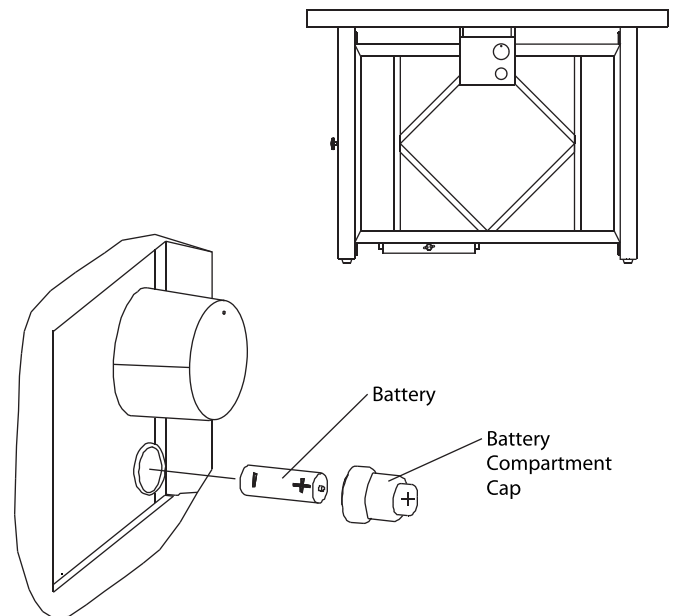
7 Attaching the Tabletop

- Attach the table top (A) to the four corners of the assembly with four M6x15 bolts (AA) and four D6 washers (BB) using the Allen wrench (CC). The control panel on the table top (A) should fit into position on the front panel (B). Do not fully tighten hardware until entire step is completed.



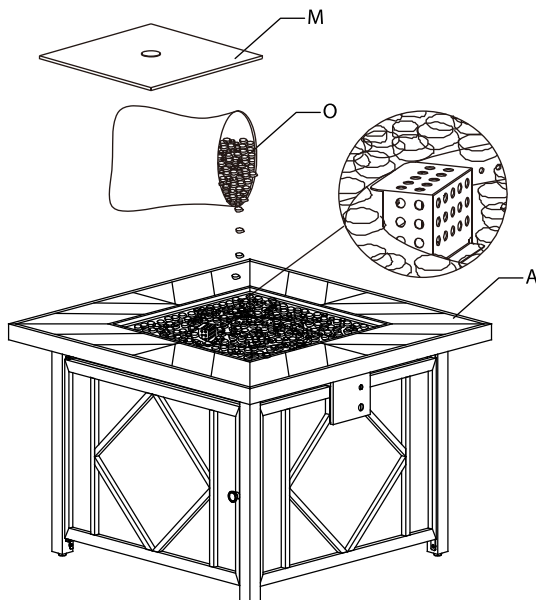
9 Installing a Battery

- Unscrew the battery compartment cap on the control panel and install one AAA battery (not included) with the anode end of the battery located towards the battery compartment cap.



8 Placing the Lava Rocks

- Put the lava rocks (O) (Max. 13.2lbs) on the burning area of the table top (A). Place the lid (M) onto the table top (A) when not use.



Cylinder Installation

PLANNING INSTALLATION

Use two or more people for an easier installation.

Your fire pit must be installed on flat, stable surface, away from any combustible materials or construction.

Place fire pit on any level, outdoor, non-combustible surface.

Do not place the appliance on grass or dirt.

1 Placing the Gas Cylinder

Open the door panel (D) and place the cylinder in the holder assembly.

2 Securing the Gas Cylinder

Turn the cylinder locking bolt clockwise to secure the gas cylinder.

3 Attaching the Regulator

Attach the regulator to the cylinder and turn clockwise by hand.

4 Checking for Leaks

Check your fire pit for leaks before use.



NOTE: Your gas fire pit has been checked at all connections at the factory for leakage. In transportation and handling some connections may have loosened. Follow these steps to check the hose/regulator/cylinder connections:

- 1) Make leakage solution by mixing 1 part liquid dish soap and 3 parts water.
- 2) Spoon or brush several drops (or use squirt bottle) of the solution onto the hose/regulator/cylinder connection.
- 3) Turn on the gas cylinder. Inspect the connections and look for bubbles.
- 4) If no bubbles appear, the connection is safe.
- 5) If bubbles appear, there is a leak. Loosen and re-tighten this connection. If there is still a leak, please call customer service.

Fig. 10

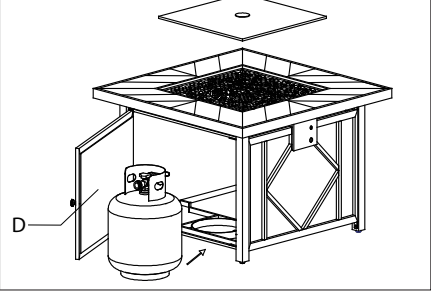


Fig. 11

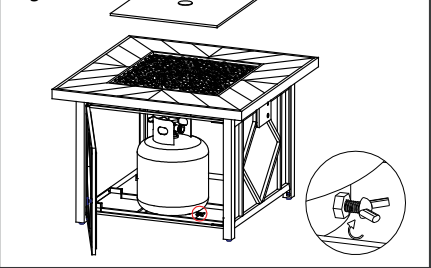


Fig. 12

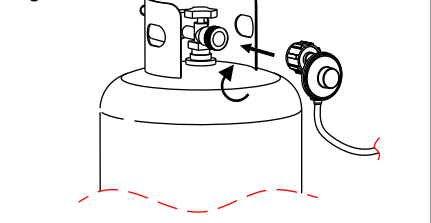
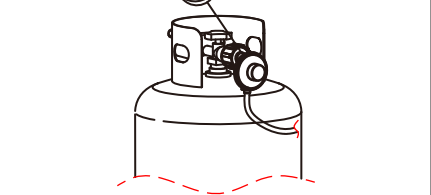


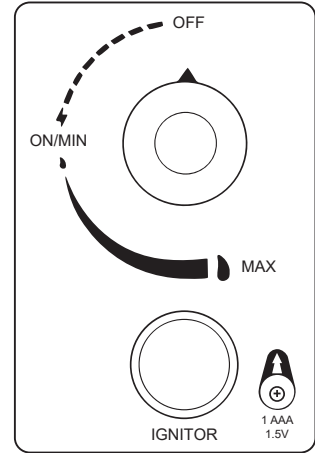
Fig. 13 regulator & cylinder connection



Operation

LIGHTING INSTRUCTIONS

1. Make sure the control knob is in the "OFF" position.
2. Turn the LP cylinder gas valve to fully open position.
3. Press down on the control knob and turn it counterclockwise to the "ON/MIN" position.
4. Push in the gas control knob all the way and hold. Continue to press the ignition button for 15 seconds.
5. If the burner is not lit, press down on the control knob and turn clockwise to the "OFF" position. Then repeat from step 3 after 5 minutes.
6. When the burner is lit, press down on the control knob and turn it to the desired heat output position between "MIN" and "MAX".
7. Press down and turn the control knob clockwise to the "OFF" position to shut down the appliance. Turn off the cylinder gas valve.



FLAME CHARACTERISTIC

Normally the burner flame is yellow.

If the burner flame is blue and very small, please check the gas cylinder, as it may be low gas pressure or empty. If there is enough gas in the cylinder, please contact customer service to change the burner of the gas fire pit.

If flames lift away from the burner or backfire happens, or thick black smoke appears, the fire pit should be turned off immediately.

The fire pit should not be operated again until the unit is serviced and/or repaired by a qualified service technician.

OPERATION PRESSURE CHECK

If the flame is very small, this is because the supply pressure is not enough.

Please refill the gas cylinder.

RE-LIGHT

- 1) Turn the control knob to the "OFF" position.
- 2) Wait five (5) minutes before attempting to relight the appliance.
- 3) Repeat steps beginning with step 3 of the lighting instruction.

SHUT DOWN INSTRUCTIONS

- 1) Push in and turn the control knob clockwise to the "OFF" position.
- 2) Turn the LP cylinder valve to the "OFF" position.

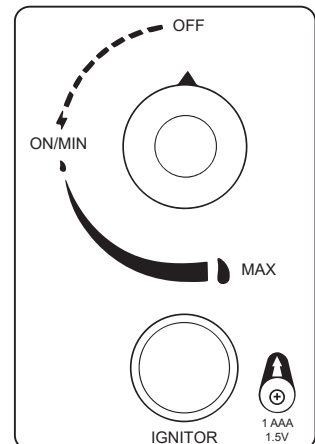
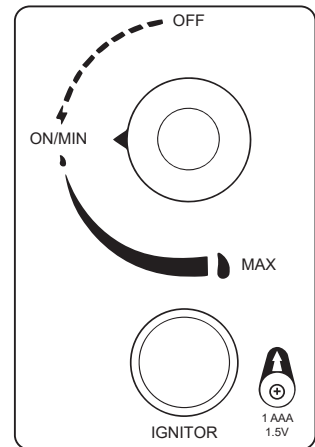
IN THE EVENT OF A GAS LEAK

Turn the control knob to the "OFF" position.

Turn the LP cylinder valve to the "OFF" position

Wait 5 minutes to allow gas to dissipate.

If odor continues, immediately call gas supplier.



WARNING: Gas appliance will be hot after use. Handle with extreme care.

Maintenance

- Store the fire pit indoors during the winter if it will be subjected to freezing temperatures.
- Disconnect and remove the cylinder from the appliance before the appliance can be stored indoors. Turn the control knob to the "OFF" position.
- Allow at least 45 minutes for the fire pit to cool down after use, and then disconnect and remove the cylinder.
- Cylinder must be stored outdoors in a well-ventilated area out of the reach of children. When the cylinder is disconnected, tightly install the threaded valve plugs, and do not store it in a building, garage or any other closed area.
- You may store product indoors ONLY if the cylinder is disconnected and removed.
- Keep the fire pit area clear and free from combustible materials, gasoline and other flammable vapors and liquids.
- If you are not using the fire pit, cover it to protect exterior surfaces and to help prevent build up in air passages.
- Store gas fire pit in an area sheltered from direct contact with inclement weather (such as rain, sleet, hail, snow, dust and debris).
- A qualified service person should install and repair the fire pit and inspect it annually.
- It might be necessary to clean this fire pit frequently. You must keep the control compartment, burner and circulating air passageways clean.

Care and Cleaning

Keep exterior surfaces clean.

Use warm soapy water for cleaning. Never use flammable or corrosive cleaning agents.

While washing your unit, be sure to keep the area around the burner dry at all times. If the gas control is exposed to water in any way, do NOT try to use it. It must be replaced.

Keep the appliance area free and clean from combustible materials, gasoline and other flammable vapors and liquids; not obstructing the flow of combustion and ventilation air; keeping the ventilation opening(s) of the cylinder enclosure free and clear from debris.

Check if there are cracks or worn sections on the hose. If there are cracks, please call our customer service to replace the hose.

At least once a year, the unit should be inspected for the presence of spiders, spider webs or other insects.

Air flow must be unobstructed. Keep controls, burner, and circulating air passageways clean. Signs of possible blockage include:

- Gas fire pit does NOT reach the desired temperature.
- Gas fire pit glow is excessively uneven.
- Gas fire pit makes popping noises.

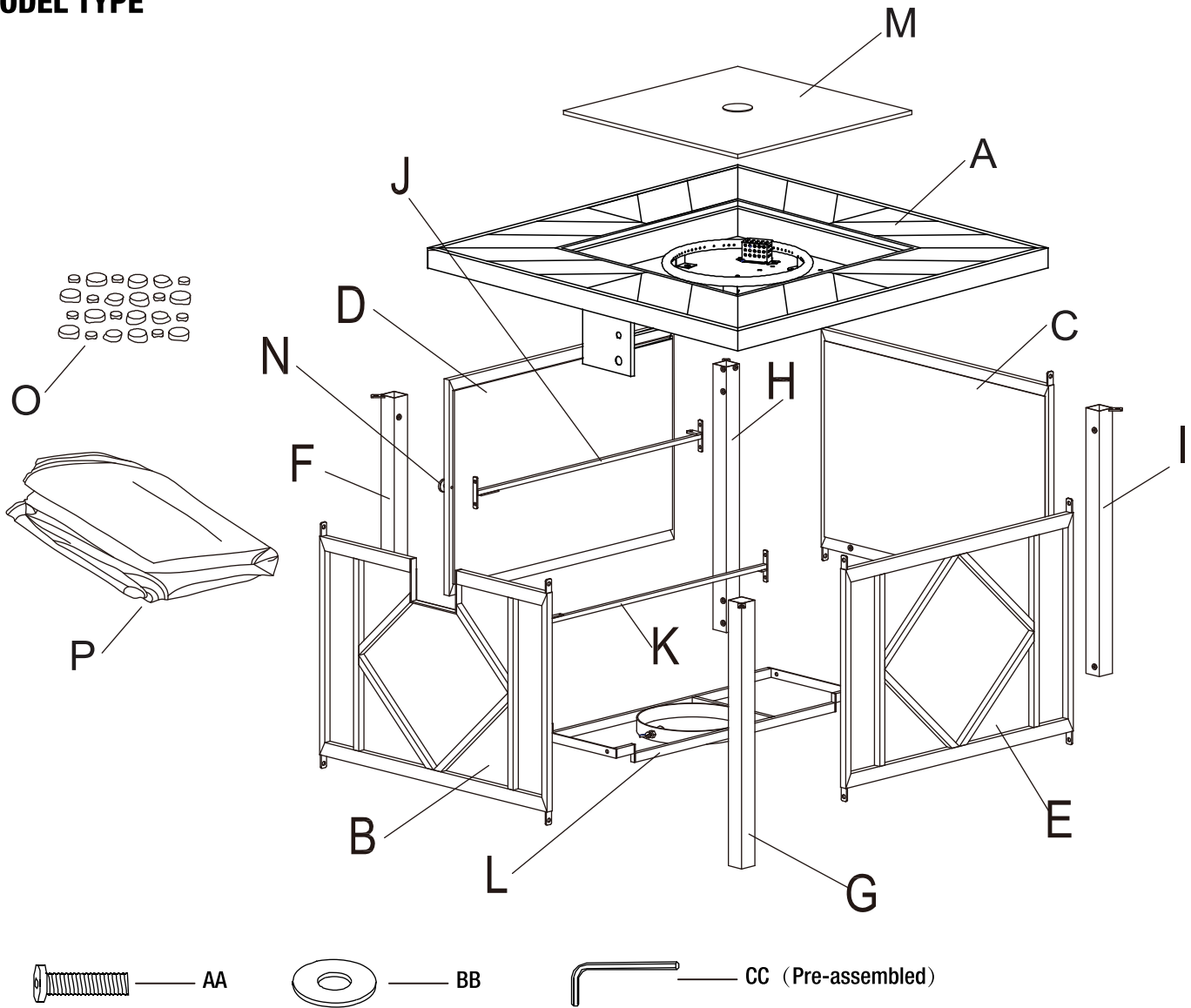
Spiders and insects can nest in burner or orifices. This dangerous condition can damage the gas fire pit and render it unsafe for use. Clean burner holes by using a heavy-duty pipe cleaner. Compressed air may help clear away smaller particles.

Troubleshooting

PROBLEM OBSERVED	POSSIBLE CAUSE	CORRECTIVE MEASURES
There is a gas odor.	There is a gas leak.	Check all gas connections.
The ignition is delayed.	The gas pressure is low. The burner ports are dirty or clogged. The battery has reached the end of its useful life.	Check the gas supply pressure. Clean the burner parts. Refer to the Cleaning and Maintenance section. Change the battery.
The burner flame is not right.	The gas supply or pressure is incorrect. The burner ports are dirty or clogged.	Check the gas supply pressure. Clean the burner parts.

Service Parts

MODEL TYPE



Part	Description	Quantity
A	Table Top	1 pc
B	Front Panel	1 pc
C	Back Panel	1 pc
D	Door Panel	1 pc
E	Right Panel	1 pc
F	Left Foreleg	1 pc
G	Right Foreleg	1 pc
H	Left Hind Leg	1 pc

Part	Description	Quantity
I	Right Hind Leg	1 pc
J	Upper Crossbar	1 pc
K	Lower Crossbar	1 pc
L	Cylinder Holder Assembly	1 pc
M	Lid	1 pc
N	Door Handle	1 pc
O	Lava Rocks	13.2 lbs
P	Cover	1 pc



Questions, problems, missing parts? Before returning to your retailer, call Hampton Bay customer service department 8 a.m. - 7 p.m., EST, Monday - Friday, 9 a.m. - 6 p.m., EST, Saturday

855-HD-HAMPTON

HAMPTONBAY.COM

Retain this manual for future use.