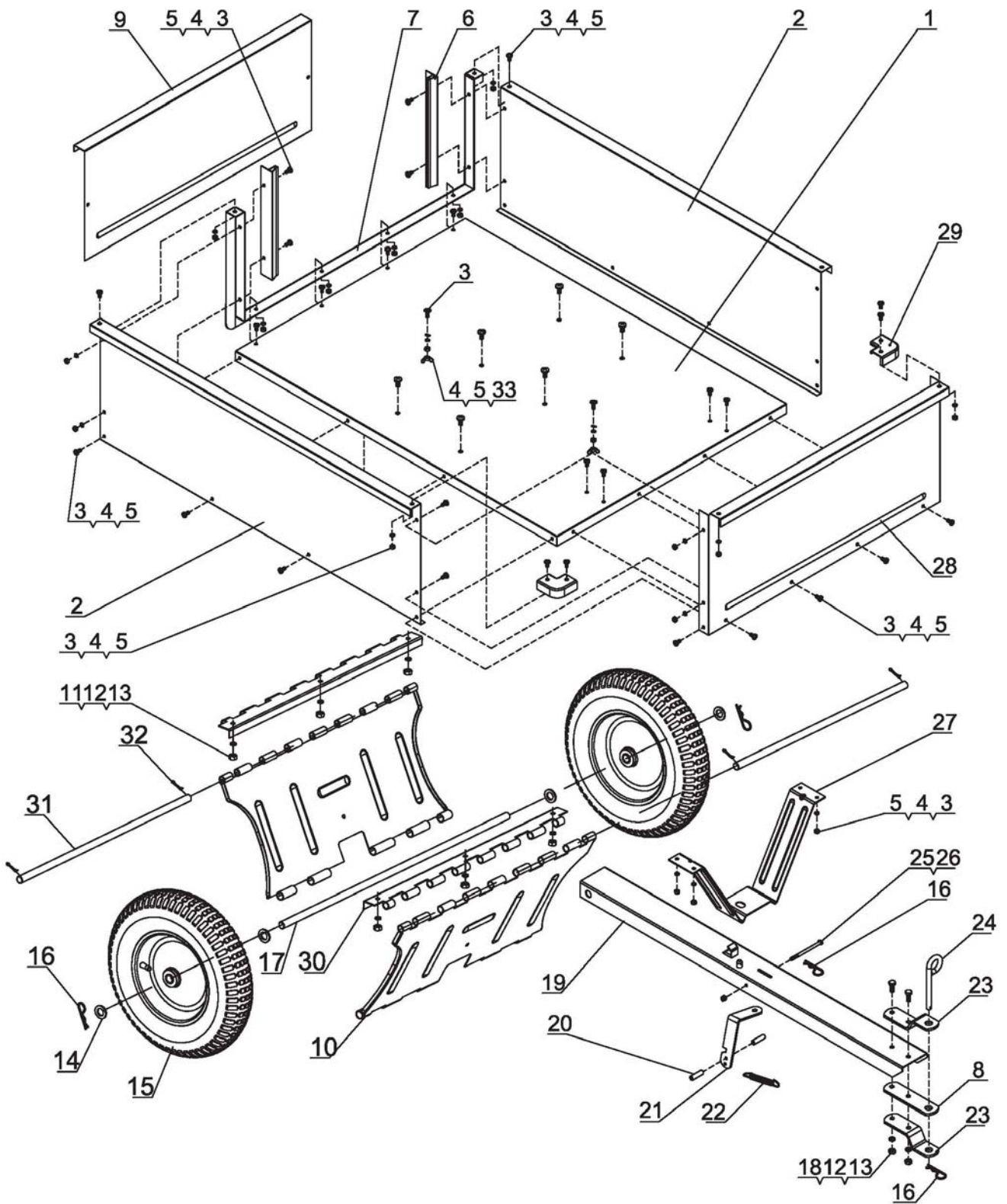


Parts Drawing & Parts List



Parts Drawing & Parts List

Ref#	Drawing No.	Description	Qty
1	DC4002-00001	Bottom Panel	1
2	DC400-00002	Side Panel	2
3	9199-06016-DX	M6x16 Screw	36
4	9306-06000-DX	Ø6 Lock Washer	36
5	9201-06000-DX	M6 ex Nut	36
6	DC400-00009	Rear Card Slot	2
7	DC400A-20000	U-Frame	1
8	DC400A-00004	Connecting Plate	1
9	DC4002-00003	Rear Panel	1
10	DC400-07000	Axle Support	2
11	9199-08016-DX	M8x16 Screw	6
12	9306-08000-DX	Ø8 Lock Washer	8
13	9201-08000-DX	M8 Hex Nut	8
14	9301-16000-DX	Ø16 Flat Washer	4
15	DC400-30000	Wheel	2
16	N021-00004	Ø3 R Pin	4
17	DC400A-00008	Wheel Axle	1
18	9101-08030-DX	M8x30 Hex Bolt	2
19	DC400A-10000	Hitch Tongue	1
20	N390-00005	Spacer	2
21	N879-00002	Release Pedal	1
22	N390-00003	Latch Spring	1
23	N390-00002	Hitch Pin Bracket	2
24	N180-00013	Hitch Pin	1
25	9101-06090-DX	M6x90 Hex Bolt	1
26	9206-06000-DX	M6 Hex Lock Nut	1
27	DC400-00007	Tongue Support	1
28	DC4002-00002	Front Panel	1
29	DC400-00003	Corner Plate	2
30	DC0400-00001	Axle Support Connecting Plate	2
31	DC0400-00002-DY	Axle Support Hinge Pin	2
32	9404-02025-DX	Ø2x25 Cotter Pin	4
34	9208-06000-DX	M6 Wing Nut	2