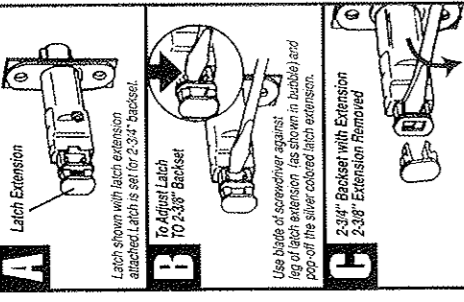
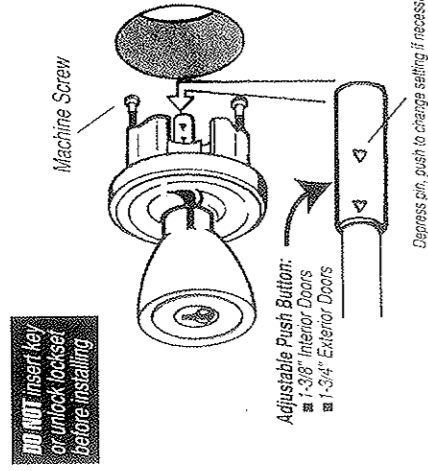


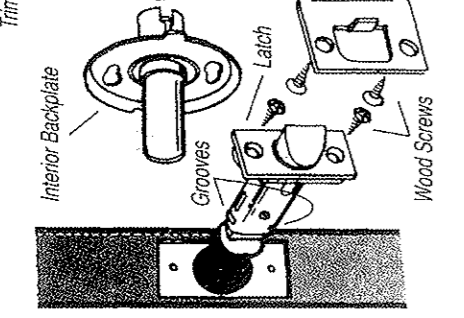
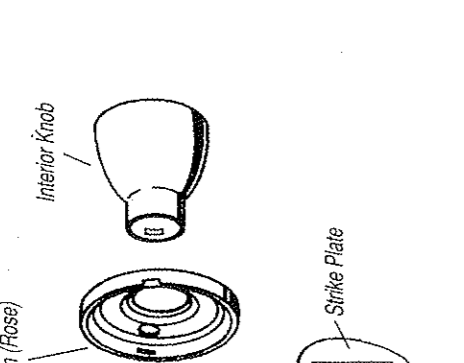
Installation Instructions

Series
600

600 Series Lockset Exploded View



IMPORTANT-Read First!
To Change Latch From 2-3/4" To 2-3/8"



DO NOT insert key or unlock lockset before installing.

Adjustable Push Button:
 ■ 1-3/8" Interior Doors
 ■ 1-3/4" Exterior Doors

Depress pin, push to change setting, if necessary.

Replacing An Existing Lockset

<p>1 Install Latch</p> <p>Insert latch and tighten screws.</p> <p>NOTE: File to enlarge hole if necessary.</p>	<p>2 Install Exterior Knob</p> <p>Slide rails into latch grooves and press flush with door.</p>	<p>3 Install Interior Backplate</p> <p>Align backplate and beveled slots, press on and rotate clockwise. Tighten screws.</p>	<p>4 Install Interior Trim & Knob</p> <p>Separ trim onto backplate, align knob on backplate spindle, depress retaining clip and push until clip is engaged in knob slot.</p>	<p>5 Install Strike</p> <p>Align strike and tighten screws.</p>
---	--	---	---	--

New Door Preparation

<p>A Mark Door</p> <p>Use template to mark door about 38" from the floor.</p>	<p>B Drill 2-1/8" Hole</p> <p>Drill a 2-1/8" diameter hole through face of door.</p>	<p>C Drill 1" Hole</p> <p>Drill 1" hole on edge of door. Insert latch into 1" hole (see step 1), outline face and chisel out 5/32" deep.</p>	<p>D Mark Jamb</p> <p>Close door until bolt just touches the jamb. Place end of template on jamb and align edges with latch face. Mark jamb opposite latch for vertical strike position.</p>	<p>E Locate Strike</p> <p>With door open, using template, folded on fold line, place fold against door stop, mark center location for 1" dia latch hole and center line of strike screw holes. Make allowance for weatherstripping.</p>	<p>F Drill Hole</p> <p>Drill 1" dia. hole in door jamb.</p>	<p>G Position Strike</p> <p>Align screw holes of strike with previously marked center line. Outline strike shape and chisel out 1/16" deep.</p>
--	---	---	---	--	--	--

Changing Hand of Keylocks

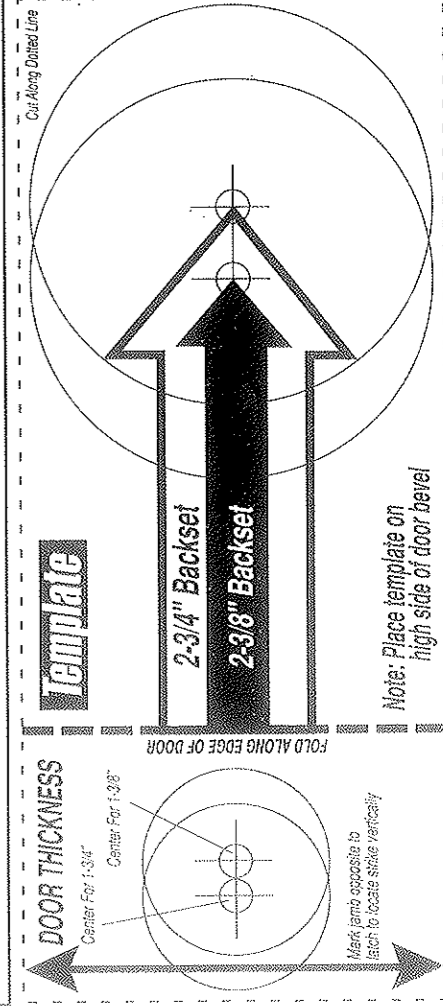
<p>1</p> <p>To remove outside knob, remove spring clip with screwdriver.</p>	<p>2</p> <p>Turn knob to extreme left and pull.</p>	<p>3</p> <p>Insert, and turn key 180° and withdraw cylinder. Turn key 180° again and withdraw key.</p>	<p>4</p> <p>Remove screw and tailpiece.</p>	<p>5</p> <p>Turn tailpiece 180° and reinsert. Adjust screw tension to insure free rotation of plug.</p>	<p>6</p> <p>Insert key and turn 180°. Put cylinder in knob with tailpiece OPPOSITE the spindle. Turn key 180° and withdraw the key.</p>	<p>7</p> <p>Insert knob with cylinder into housing. Turn to the extreme left and PUSH until the knob is seated and rotates in the normal position. Push button which locks assembly.</p>	<p>8</p> <p>Replace spring clip. Lock is now ready for installation.</p>
---	--	---	--	--	--	---	---

Lifetime Mechanical Warranty

WESLOCK warrants to the purchaser that the products shall be free from defects in material workmanship for the **LIFETIME** of the product. Provided the product was purchased from an authorized WESLOCK dealer, Weslock's sole obligation under this warranty shall be to repair or replace product which WESLOCK determines to be defective. After such product is returned to WESLOCK by the purchaser with proof of purchase and with shipping charges prepaid, will this warranty be honored. Homeowner - if the product was installed as original equipment on a new home, you must provide the name of the builder, the date the home was built and your move-in date. If a mechanical defect has occurred, it is your right by this warranty to contact Customer Service in Tulsa, Oklahoma at (800) 575-2658 to arrange the return of the lock. This warranty **DOES NOT** cover products which malfunction due to improper installation or misuse.

Mortise & Non-Mortise Latch

<p>Mortise Type</p> <p>Outline latch face-plate and chisel out until flush.</p> <p>Install latch face plate and tighten screws. Press latch into 1" hole until flush with latch face.</p>	<p>Non-Mortise Type</p> <p>No chiseling required.</p>
--	--



Note: Place template on high side of door level

Weslock

© 1995
Tulsa, Oklahoma
Part No. 09593