



TX 93554
TEXAS Metal Bench



TX 93556
AGGIE Metal Bench



TX 94101
Welcome Metal Bench



TX 94104
Metal Bench Fleur De Lis

This beautifully crafted metal bench is a must-have for all you Buckeyes out there! There is no better way to show your neighbors that you love your scarlet and gray.

Limited One Year Finish Warranty

**** (non-transferable) ****

This bench is covered under United General Supply's (UGS) one (1) year limited warranty. To the original purchaser of this bench, UGS warrants that this bench is and will be free from defects in material and workmanship for up to one year from the date of purchase under normal use and proper care. Replacement of defective or missing parts will be sent at no charge to the customer for a period of 15 days from the date of purchase. UGS will no longer be responsible for missing parts or hardware 15 days after date of purchase.

The limited warranty does not cover this bench for commercial purposes, abusive use, damage by modification, freeze damage, rust, fading and issues caused by improper care.

When not in use, clean and dry the bench and store under a covered area. Proof of purchase (dated receipt) and photos will be required for warranty claims.

For any questions or claims, please contact customer service.

The indicia depicted on this product are trademarks of the respective College or University.

CUSTOMER SERVICE
1-877-87LEIGH (53444)
info@leetools.com
www.leighcountry.com



Designed and Distributed by:
United General Supply Co., Inc.
Houston, TX 77036
Made in China



Authentic Country Living

METAL BENCH
OHIO STATE UNIVERSITY
Instruction Manual



Item No.: TX 93562

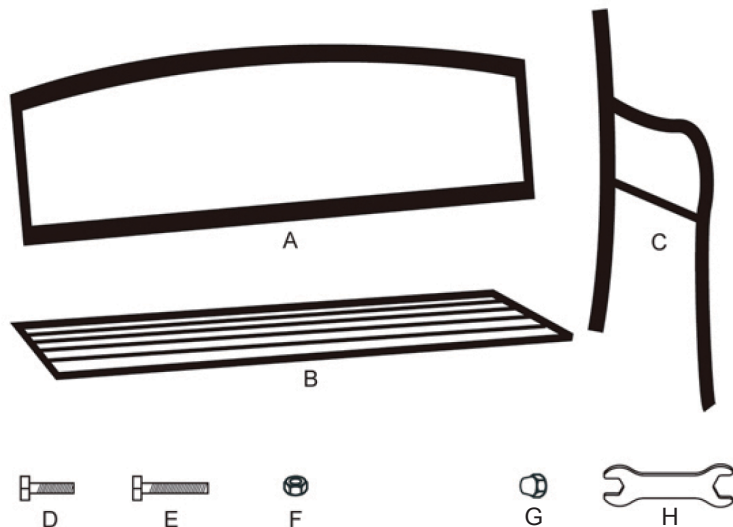
Read the instructions before use of this product.
Please keep this instruction manual for future reference.


For warranty information, please refer to the back page of
this instruction manual.

PARTS & HARDWARE LIST

PART#	DESCRIPTION	QUANTITY
A	BACK PANEL	1
B	SEAT PANEL	1
C	ARM FRAME	2
D	BOLT M6 x 2"	4
E	BOLT M6 x 2.7"	4
F	HEX NUT	8
G	PLASTIC NUT COVER	8
H	WRENCH	2

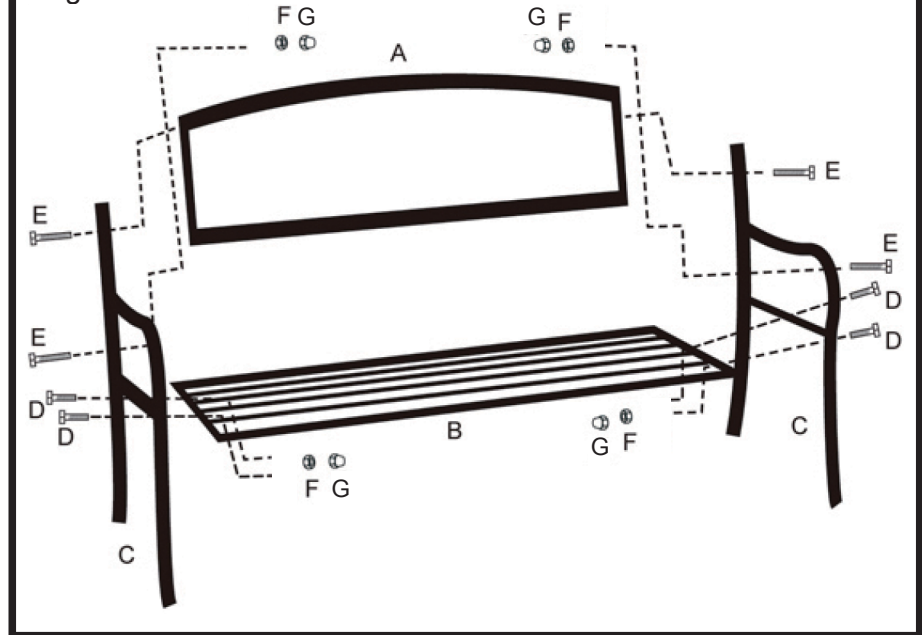
Parts Detail




 Please make sure that every piece of furniture and all hardware are present before assembling this bench.

ASSEMBLY INSTRUCTIONS

Figure 1



 **CAUTION:** Until every part and piece is set and secured in place, do **NOT** secure the nuts tightly together.

1. (SEE FIGURE 1) Take Seat Panel (B) and align the holes to the holes of the Arm Frame (C) and secure by inserting Bolts (D) through the Arm Frame then Seat Panel. Secure the Bolts (D) with the Hex Nuts (F) on the inside of the Seat Panel. Repeat for the other the Arm Frame (C).

Do not fully tighten the Nuts and Bolts.

2. Slide Back Panel (A) between the Arm Frames (C) and align the holes. Secure by inserting Bolts (E) through the Arm Frame then Back Panel (A). Secure the Bolts (E) with the Hex Nuts (F) on the inside of the Back Panel. Repeat for the other the Arm Frame (C).

3. Once all Hex Nuts and Bolts are secured, tighten all Bolts (D&E) with the Wrench (H).

4. Slide Plastic Nut Covers (G) over all exposed bolt ends.