

88 5650 49

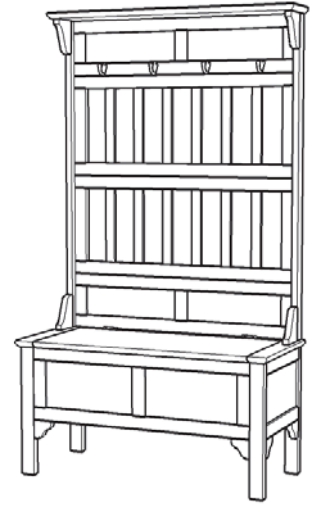
# Hall Tree & Storage Bench

## IMPORTANT NOTE

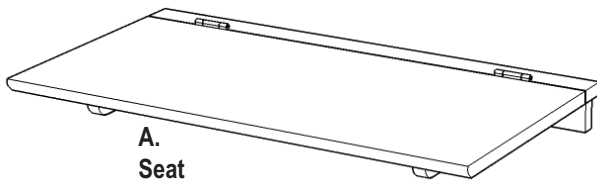
Carefully remove all the parts from the carton and put them individually on a soft cloth to prevent scratches or other damage occurring to the parts.

We have taken great care in the design of this product and request that you carefully and strictly follow our assembly instructions to ensure a completed product as it was designed.

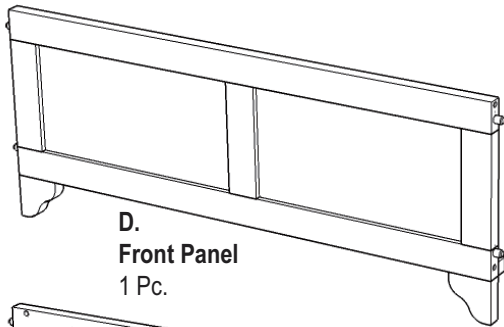
Home  
Styles



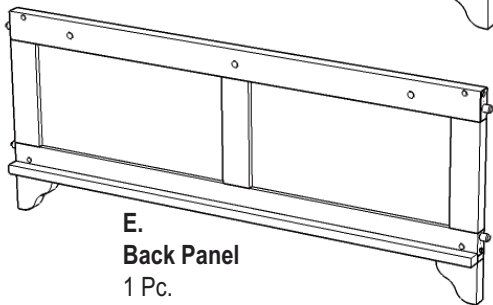
## Part List



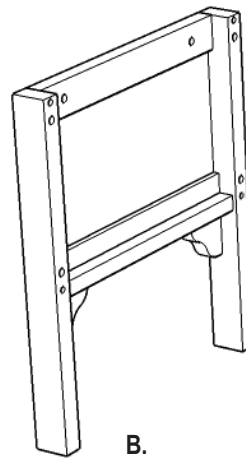
**A.**  
**Seat**  
1 Pc.



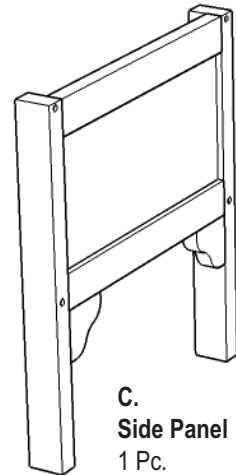
**D.**  
**Front Panel**  
1 Pc.



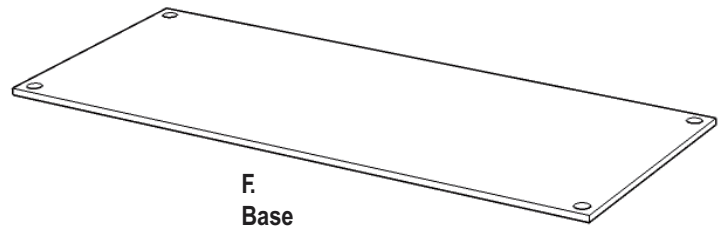
**E.**  
**Back Panel**  
1 Pc.



**B.**  
**Side Panel**  
1 Pc.



**C.**  
**Side Panel**  
1 Pc.

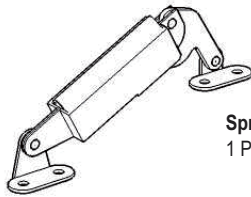


**F.**  
**Base**  
1 Pc.

## Hardware List



**Hex Wrench**  
1 Pc.



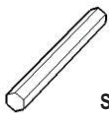
**Spring Support**  
1 Pc.



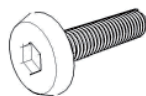
**Cross Dowel**  
8 Pcs.(+1 extra)



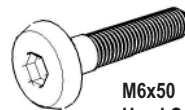
**M3.5x16  
Wood Screw**  
4 Pcs.(+1 extra)



**Small Hex Wrench**  
1 Pc.



**M6x30  
Head Cap Bolt (short)**  
3 Pcs.(+1 extra)



**M6x50  
Head Cap Bolt (long)**  
8 Pcs.(+1 extra)



**Wood Plug**  
8 Pcs.(+1 extra)

**Tools required for assembly :** Phillips screwdriver, Level

**Home Styles Consumer Assistance :** [www.homestyles-furniture.com](http://www.homestyles-furniture.com),  
[servicedesk@homestyles-furniture.com](mailto:servicedesk@homestyles-furniture.com), 888-680-7460, 877-831-0319

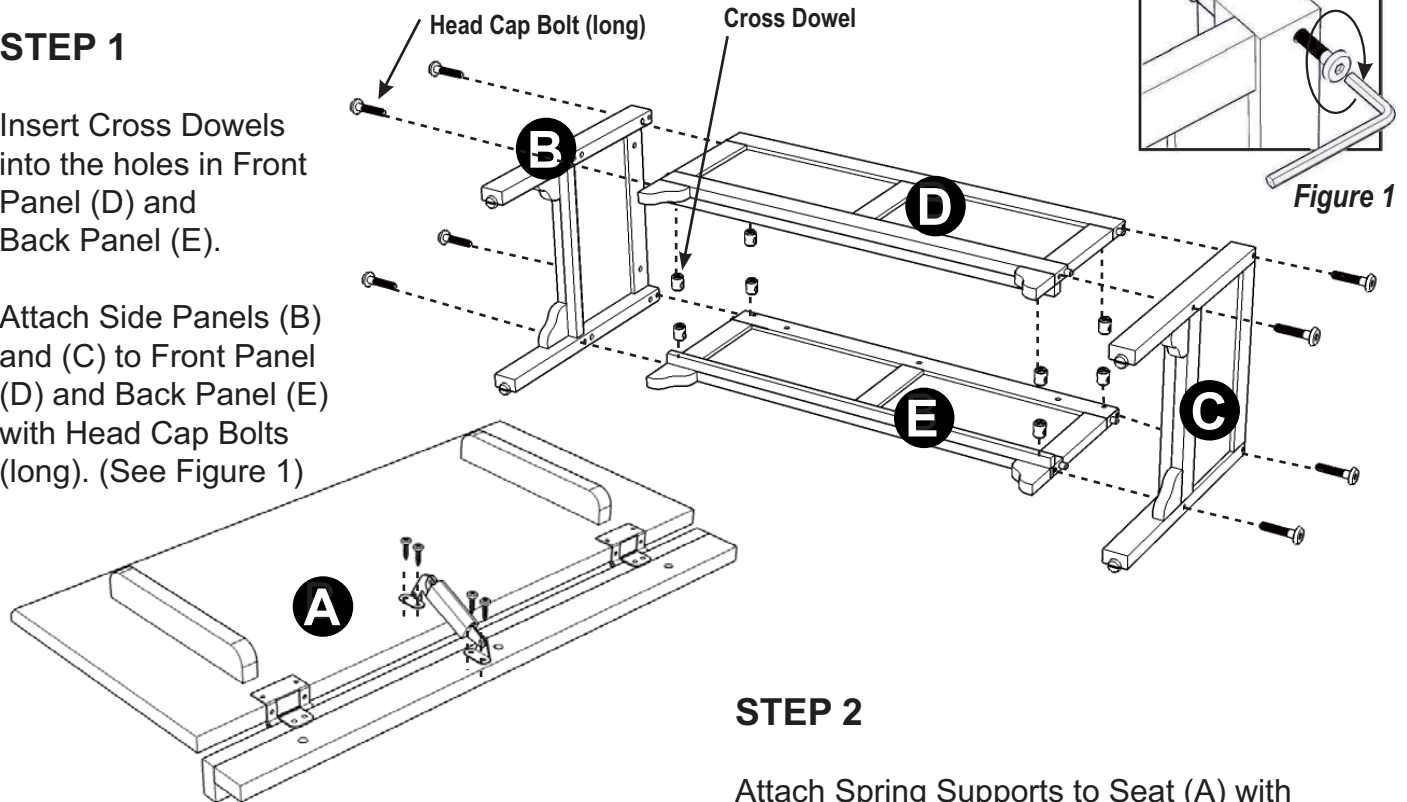
## IMPORTANT

- \* Please keep Hex Wrench in a safe place as you may need to tighten up the Head Cap Bolts in the future.
- \* Do not tighten up all the bolts until each part is properly assembled.
- \* Use a soft cloth between these parts and the floor.
- \* After assembly, item must be level to work properly. Use the included adjustable levelers to level.

## STEP 1

Insert Cross Dowels into the holes in Front Panel (D) and Back Panel (E).

Attach Side Panels (B) and (C) to Front Panel (D) and Back Panel (E) with Head Cap Bolts (long). (See Figure 1)



## STEP 2

Attach Spring Supports to Seat (A) with Wood Screws into the pre-drilled holes. (See Figures 2 and 3)

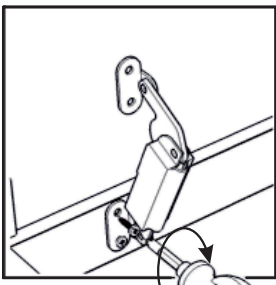


Figure 2

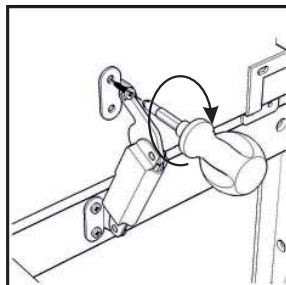


Figure 3

## STEP 3

Attach Seat (A) to unit with Head Cap Bolts (short).

Put Base (F) into place.

Cover all holes with Wood Plugs. (See Figure 4)

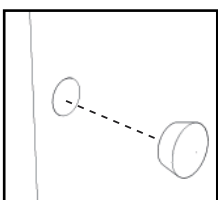
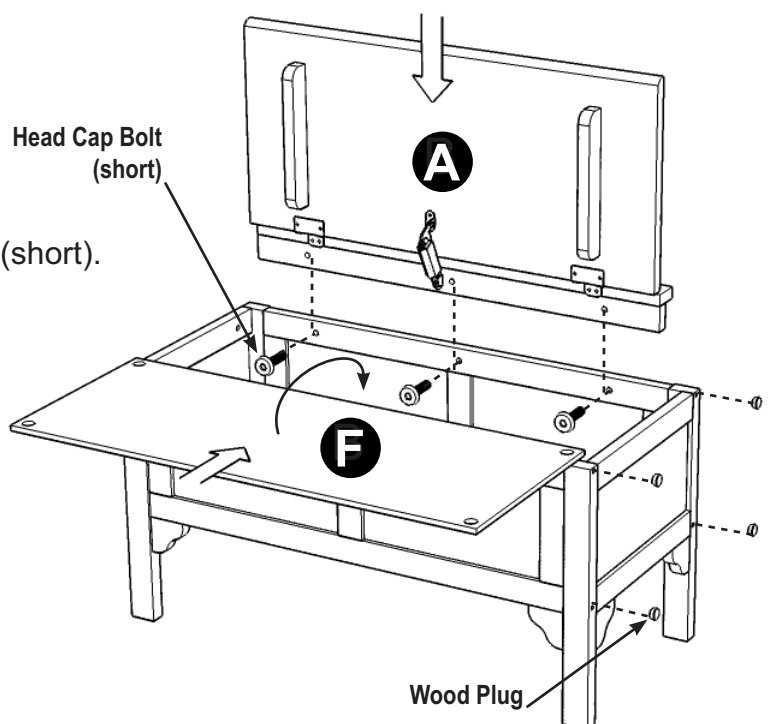


Figure 4

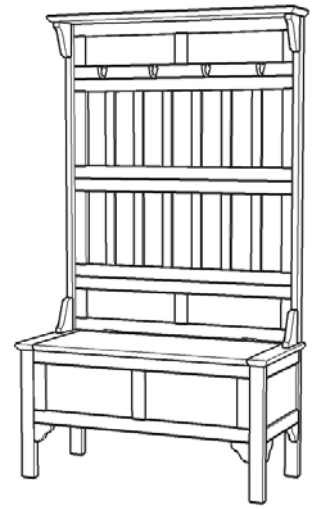
# 88 5650 49 Hall Tree & Storage Bench

## IMPORTANT NOTE

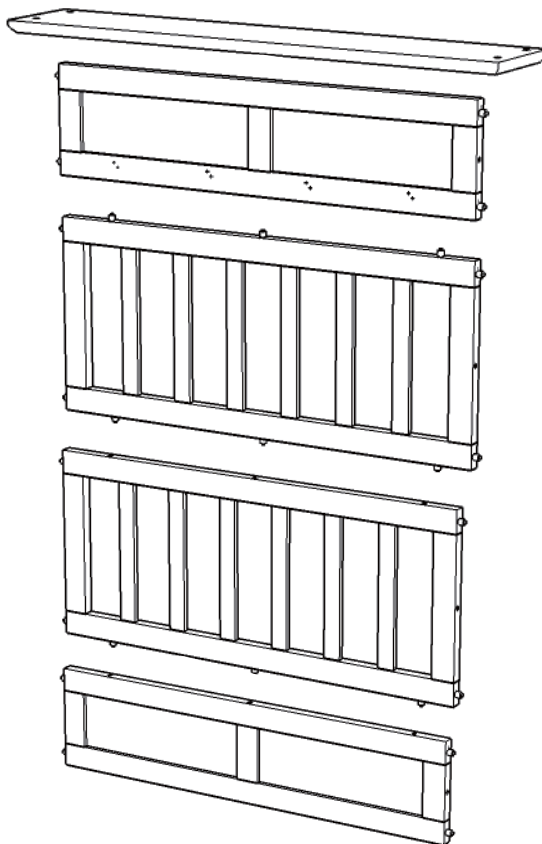
Carefully remove all the parts from the carton and put them individually on a soft cloth to prevent scratches or other damage occurring to the parts.

We have taken great care in the design of this product and request that you carefully and strictly follow our assembly instructions to ensure a completed product as it was designed.

*Home  
Styles*



## Part List



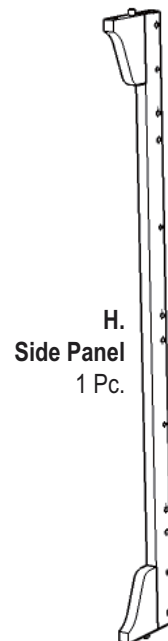
**G.**  
Top  
1 Pc.

**J.**  
Back Frame  
1 Pc.

**K.**  
Back Frame  
1 Pc.

**L.**  
Back Frame  
1 Pc.

**M.**  
Back Frame  
1 Pc.



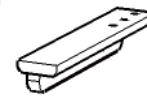
**H.**  
Side Panel  
1 Pc.



**I.**  
Side Panel  
1 Pc.

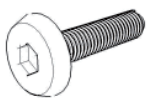


**N.**  
Arm  
1 Pc.



**O.**  
Arm  
1 Pc.

## Hardware List



**M6x30**  
Head Cap Bolt (short)  
20 Pcs.(+1 extra)



**M4x16**  
Wood Screw  
8 Pcs.(+1 extra)



**Wood Plug**  
8 Pcs.(+1 extra)



**Hook**  
4 Pcs.

**Tools required for assembly :** Phillips screwdriver, Drill, 3/8" Drill Bit, Level

**Home Styles Consumer Assistance :** [www.homestyles-furniture.com](http://www.homestyles-furniture.com),  
[servicedesk@homestyles-furniture.com](mailto:servicedesk@homestyles-furniture.com), 888-680-7460, 877-831-0319

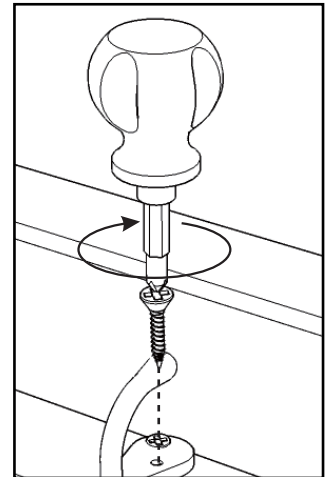
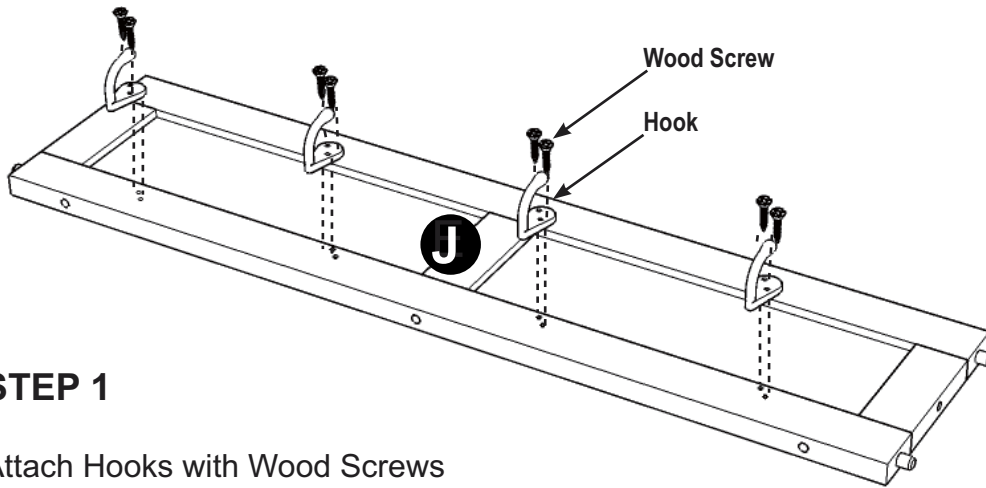
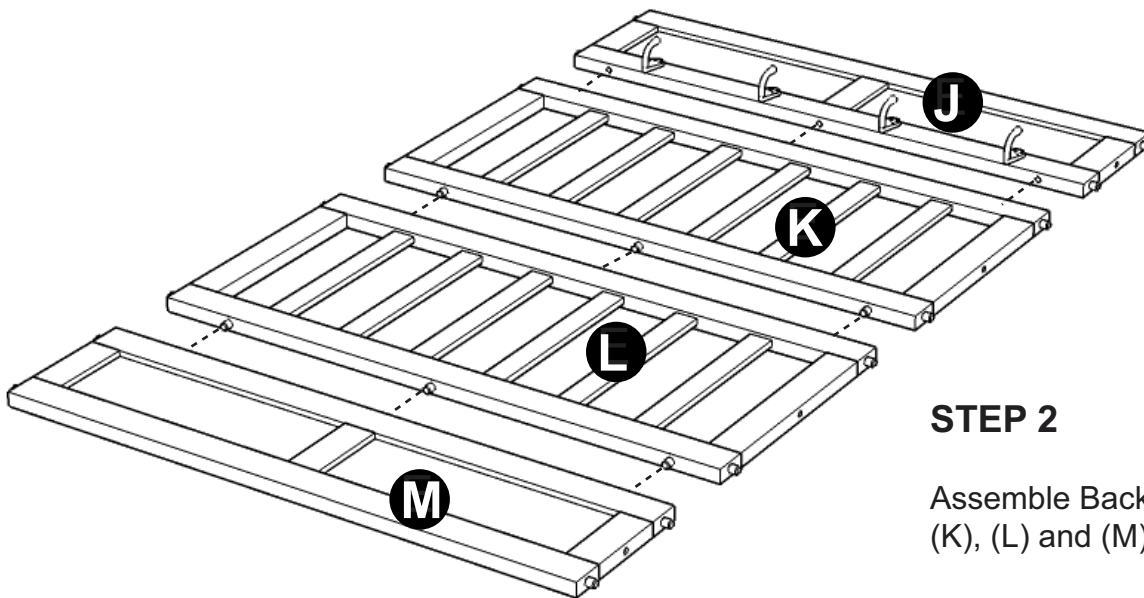


Figure 1

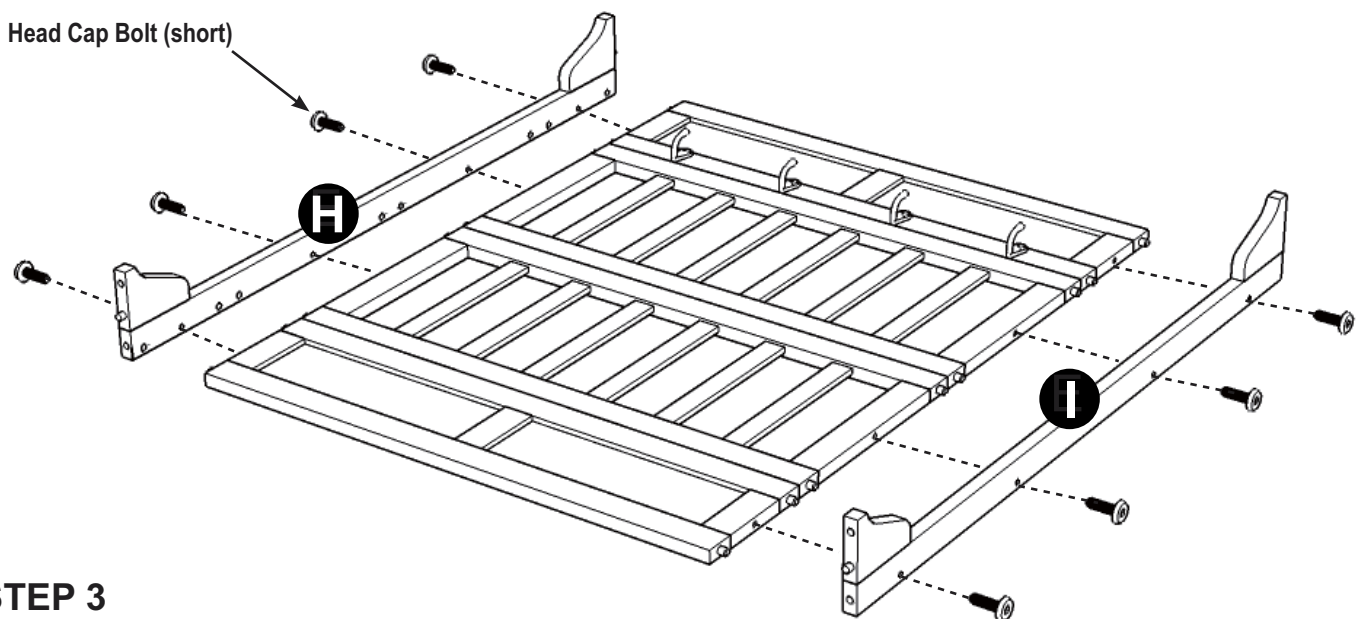
## STEP 1

Attach Hooks with Wood Screws into the pre-drilled holes in Back Frame (J). (See Figure 1)



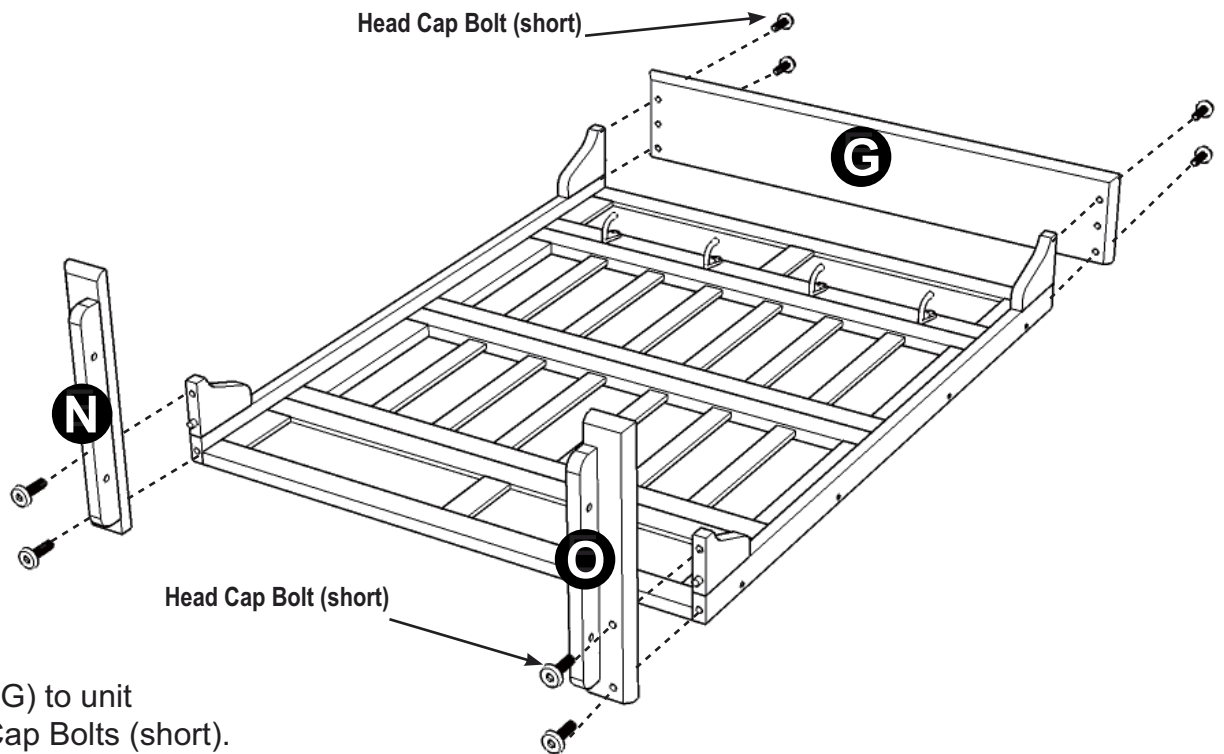
## STEP 2

Assemble Back Frames (J), (K), (L) and (M).



## STEP 3

Attach Side Panels (H) and (I) to unit with Head Cap Bolts (short).



## STEP 5

Attach Top Unit to Base Unit with Head Cap Bolts (short).

Cover all holes with Wood Plugs. (See Figure 2)

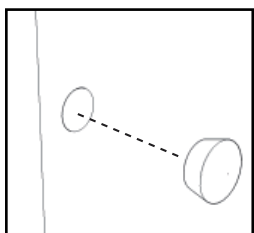
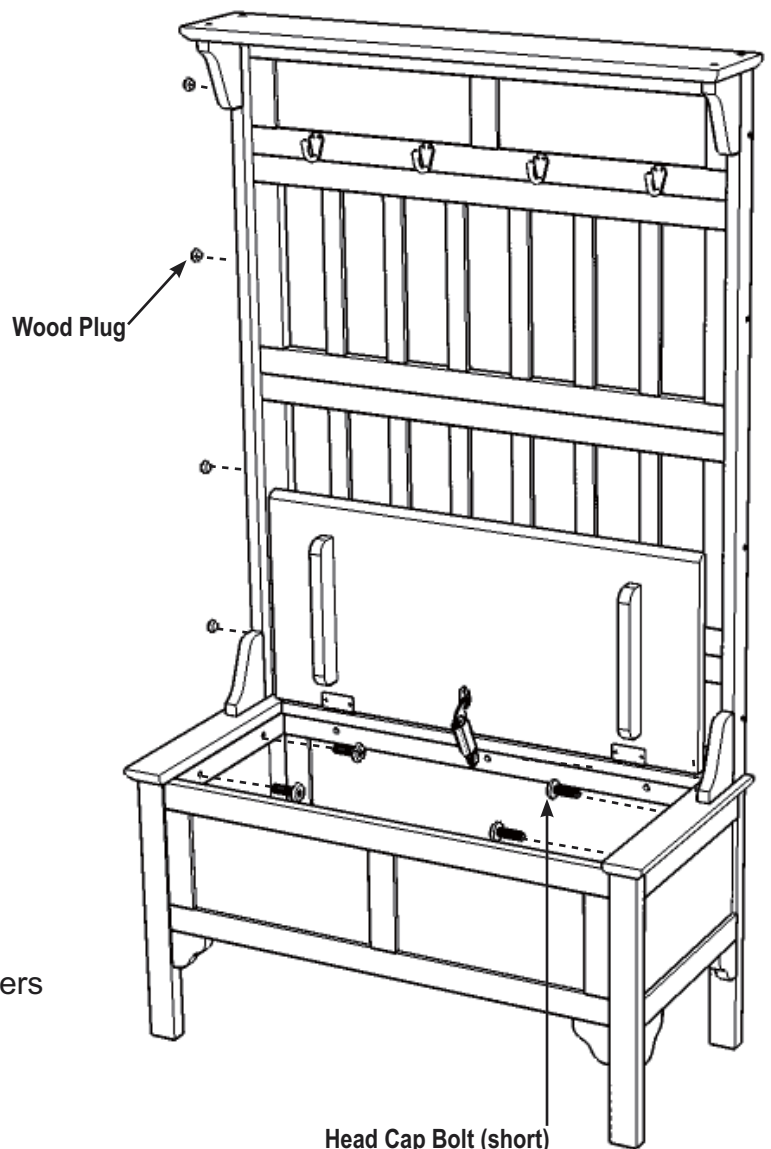


Figure 2

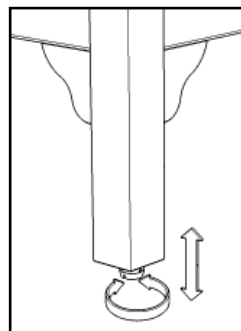


Figure 3

## STEP 6

To level the unit, adjust the adjustable levelers on the bottom of the legs. (See Figure 3)

**Note :** Unit must be level to work properly.

# Assembly Instructions 6/6

## Attention!

To help reduce the risk of the unit tipping over, the Tipover Restraint must be installed following these instructions exactly!

Place unit at desired location.

Drill a 3/8" hole in wall at the appropriate location.

Insert Anchor into the wall hole and attach Bracket with Wall Screw.

Attach Bracket at pre-drilled hole at top of unit with Wood Screw.

Use Tipover Restraint to secure Bracket on unit to Bracket on wall.

(See Figure X)

Put tie end of Tipover Restraint into loop end of Tipover Restraint and pull until tight.

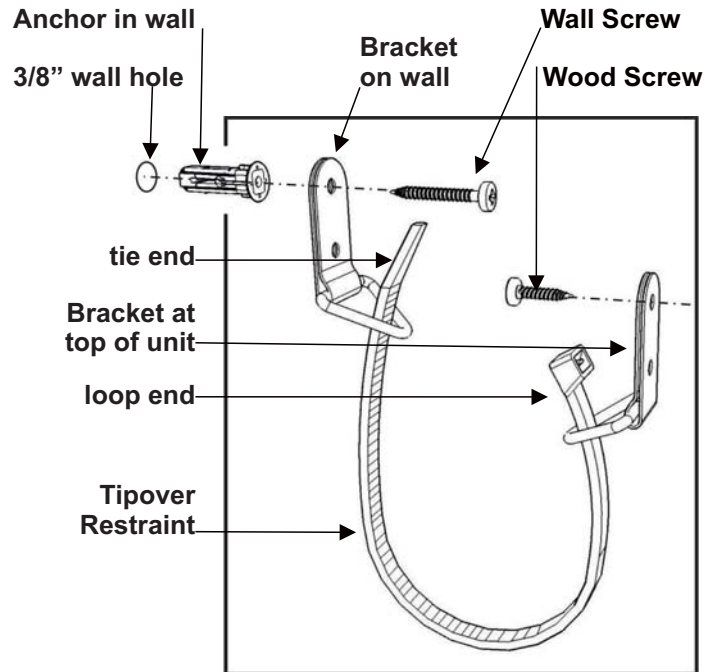
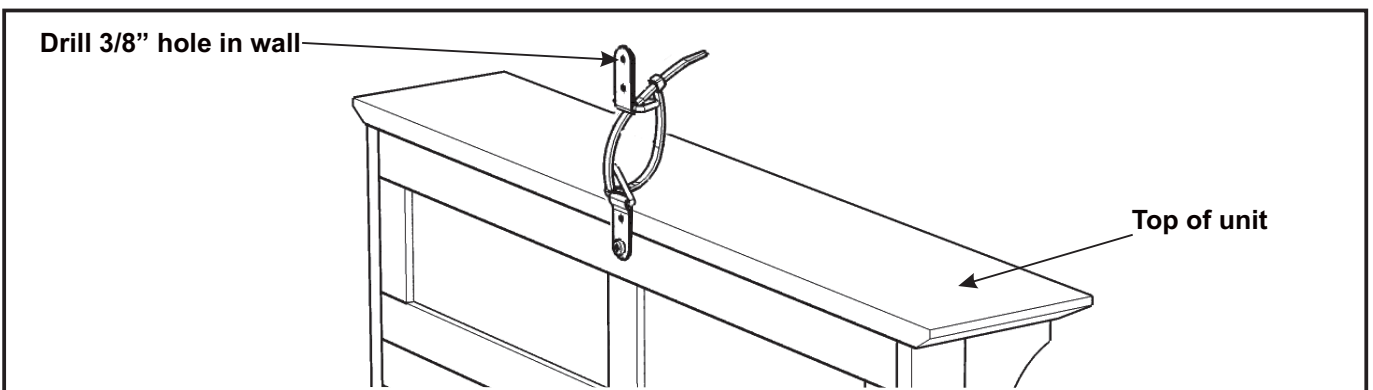
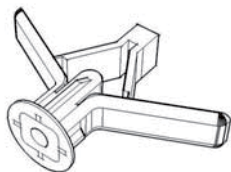


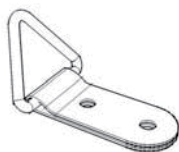
Figure X



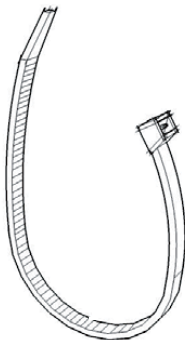
## Hardware List



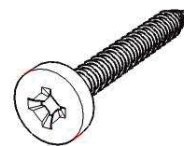
**Anchor**  
1 pc.(+1 extra)



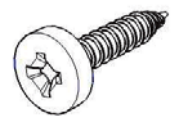
**Bracket**  
2 pcs.(+1 extra)



**Tipover Restraint**  
1 pc.(+1 extra)



**M3.5x40  
Wall Screw**  
1 pc.(+1 extra)



**M3.5x13  
Wood Screw**  
1 pc.(+1 extra)