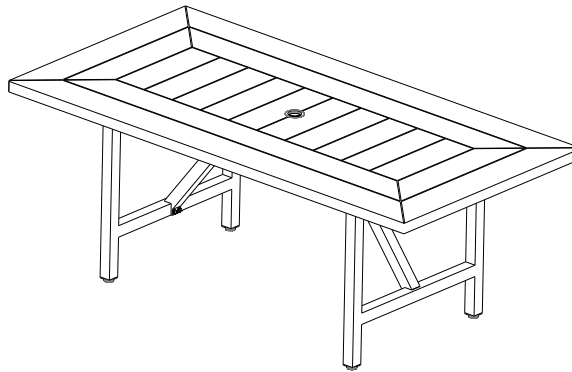




Item #703 187/698 990
Model # D13106-7PC
D13106-TT

USE AND CARE GUIDE

BOLINGBROOK DINING TABLE



Questions, problems, missing parts? Before returning to the store,
call Hampton Bay Customer Service
8 a.m. - 7 p.m., EST, Monday-Friday
9 a.m. - 6 p.m. EST, Saturday

1-855-HD-HAMPTON

HAMPTONBAY.COM

THANK YOU

We appreciate the trust and confidence you have placed in Hampton Bay through the purchase of this dining table. We strive to continually create quality products designed to enhance your home. Visit us online to see our full line of products available for your home improvement needs. Thank you for choosing Hampton Bay!

Table of Contents

| | | | |
|--------------------------------|---|--------------------------------|---|
| Table of Contents | 2 | Hardware Included..... | 3 |
| Warranty | 2 | Table Package Contents | 4 |
| What is Covered..... | 2 | Assembly | 5 |
| What is Not Covered | 2 | Care and Cleaning | 6 |
| Pre-Assembly | 3 | | |
| Planning Assembly..... | 3 | | |

Warranty

THIS IS A RESIDENTIAL WARRANTY ONLY AND THIS WARRANTY DOES NOT APPLY TO COMMERCIAL USE

5 YEAR FRAME LIMITED

WHAT IS COVERED

We warrant the frame to be free of manufacturing defects to the original purchaser for five years.

WHAT IS NOT COVERED

It remains the customer's responsibility for freight and packaging charges to and from our service center.

This warranty does not cover commercial use, hardware, acts of nature, fire, freezing, and abusive use.

In addition, purchased parts are not covered under this warranty. We reserve the right to make substitutions with similar merchandise, if the model in question is no longer in production.

For a copy of our full limited warranty, please contact our customer service team below.

Contact the Customer Service Team at 1-855-HD-HAMPTON or visit www.hamptonbay.com.

Pre-assembly

PLANNING ASSEMBLY

Please read this entire instruction manual prior to assembly.

Identify all parts packed in the carton against the parts list. Remove all protective materials and place the parts on a non-abrasive surface to avoid scratching.

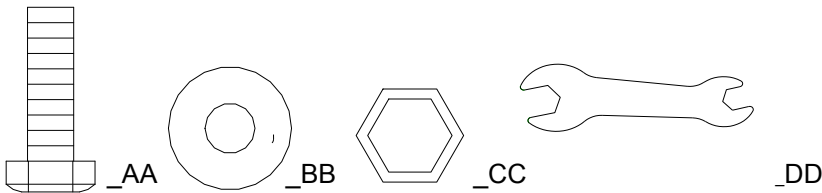


NOTE: More than one person may be required to complete the assembly of this product.

HARDWARE INCLUDED



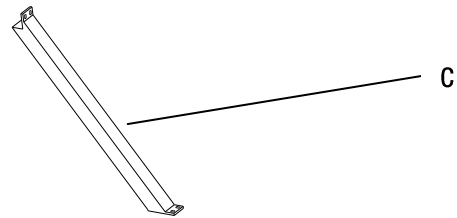
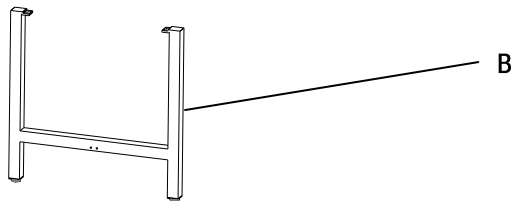
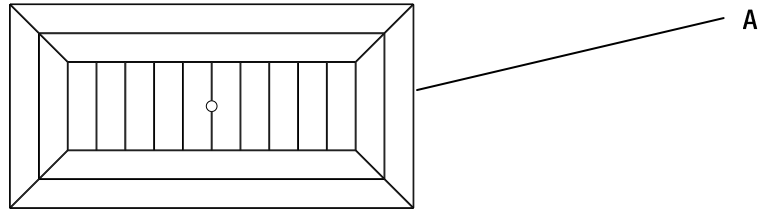
NOTE: Tools not shown to actual size.



| Part | Description | Quantity |
|------|------------------|----------|
| AA | M6X20mm Hex bolt | 16 |
| BB | M6 washer | 16 |
| CC | M6 Hex bolt cap | 16 |
| DD | M6-M8 Hex Wrench | 1 |

Pre-assembly

TABLE PACKAGE CONTENTS



| Part | Description | Quantity |
|------|-------------------|----------|
| A | Table top | 1 |
| B | Table leg | 2 |
| C | Table leg support | 2 |

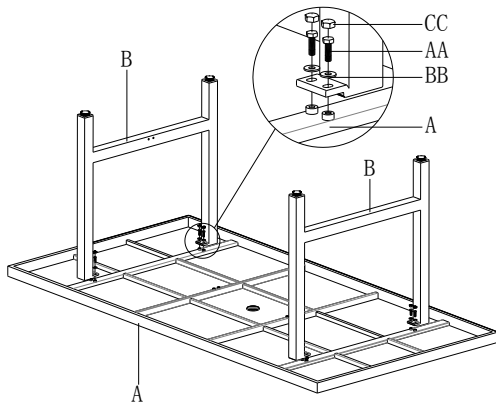
Assembly

1 Attaching the table legs

- Place the table top (A) on a soft, flat non-abrasive surface. Attach the table legs (B) to the table top (A) with the M6 hex bolts (AA) and washers (BB).
- Tighten all bolts with the wrench (DD) and attach the bolt caps (CC).

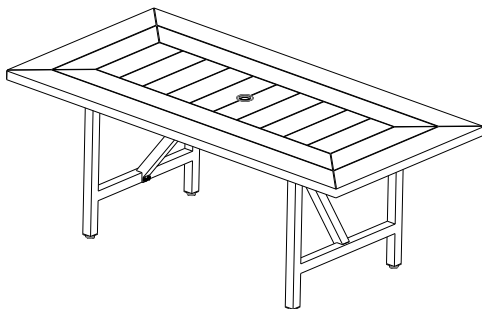


NOTE: Please ensure all M6 hex bolts are assembled correctly and use the M6-M8 wrench (DD) to tighten.



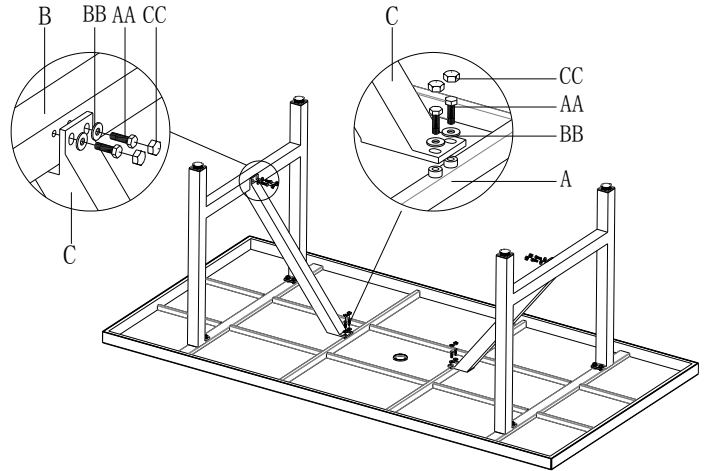
3 Positioning the table

- With the assistance of another person turn the table over and set it down on its legs.
- The table is now ready for use.



2 Attaching the table leg support

- Attach the table leg support (C) to the table legs (B) using the M6 hex bolts (AA) and washers (BB).
- Tighten all M6 hex bolts (AA) with the M6-M8 wrench (DD).
- Attach bolt caps (CC).



Care and Cleaning

- Do not allow water to build up in the frames. This will cause corrosion and possible freezing damage in cold climates.
- Use a mild soap and water for normal cleaning. Do not use janitorial or alcohol based cleaners. Some cleaners may be marked as natural, but some ingredients may cause discoloration or have an adverse reaction to your finish.
- Rinse with clean water and dry with a soft, absorbent cloth towel.
- Treat frames with a liquid wax for maximum protection against UV rays and/or salty, damp air.



Questions, problems, missing parts? Before returning to the store,
call Hampton Bay Customer Service
8 a.m. - 7 p.m., EST, Monday-Friday
9 a.m. – 6 p.m. EST, Saturday

1-855-HD-HAMPTON

HAMPTONBAY.COM

Retain this manual for future use.