

FEATURED MODEL

516322 Equal Double, 8" bowl depths, ANTHRACITE

ADDITIONAL MODELS

516319 Equal Double, 8" bowl depths, METALLIC GRAY

516320 Equal Double, 8" bowl depths, WHITE

516321 Equal Double, 8" bowl depths, BISCUIT

516323 Equal Double, 8" bowl depths, CAFE BROWN

517107 Equal Double, 8" bowl depths, BISCOTTI

517678 Equal Double, 8" bowl depths, TRUFFLE

519050 Equal Double, 8" bowl depths, CINDER

FEATURES

- Required outside cabinet: 33"
- 80% solid granite
- Heat resistant up to 536°F
- Unsurpassed cleanability backed by industry leading 7 patents!
- Resistant to scratches, stains and all household acids and alkali solutions
- Template provided with approximate 1/8" reveal
- Undermount clips provided
- Limited lifetime warranty
- NOTE: The six small holes are for European installation only. They are unnecessary for U.S. installation.

OPTIONAL ACCESSORIES

Colander: 513520

Sink Grid: 516363

CODE/STANDARDS COMPLIANCE

ANSI Z124.6-97

IAPMO/UPC listed

WARRANTY

BLANCO'S SILGRANIT II Series sinks feature a LIMITED LIFETIME WARRANTY to be free of all manufacturing defects under normal use. See our complete warranty for details.

While BLANCO endeavors to provide accurate information, all dimensions are nominal, cannot be guaranteed, and are subject to change or cancellation. BLANCO assumes no responsibility for use of superseded or voided specifications.

JOB INFORMATION

Job Name: _____

Contact: _____

Date Specified: _____

Specifier: _____

Contractor: _____

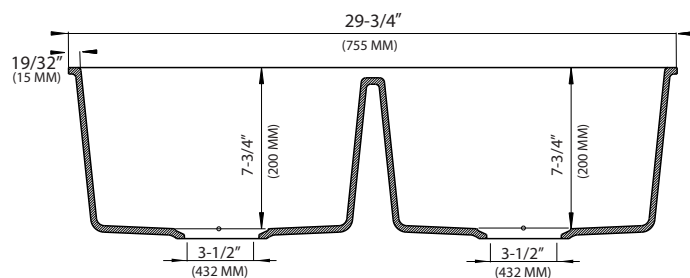
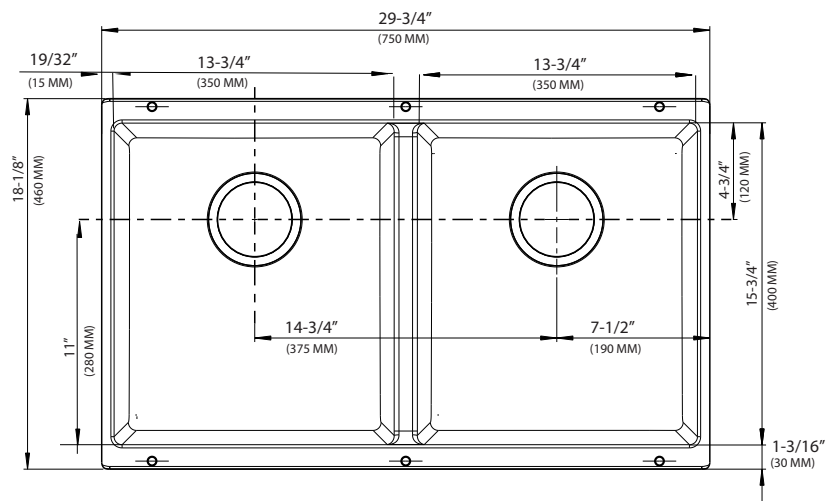


NOMINAL DIMENSIONS

Model 516319 shown

OVERALL	CUT OUT SIZE	BOWL DEPTH LEFT	BOWL DEPTH RIGHT	DRAIN
29-3/4" x 18-1/8"	Template provided with approximate 1/8" reveal	8"	8"	3-1/2"

DXF cutout templates available on our website.



BLANCO AMERICA

800.451.5782

www.blancoamerica.com

© 2013 BLANCO AMERICA

6/13

SPEC-003