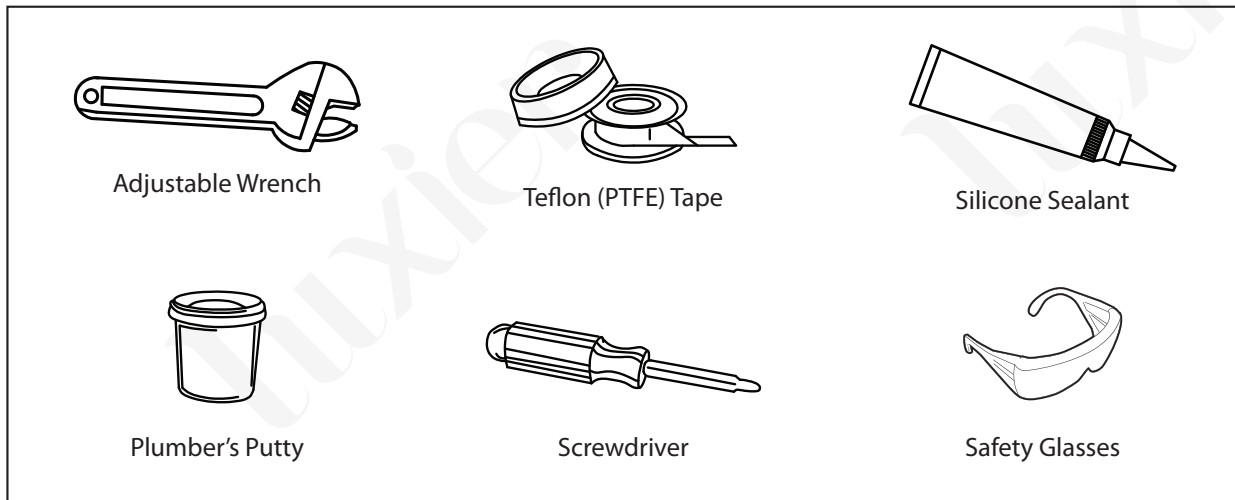


## Attention

- This installation guide is subject to change without notice, please contact us to request the most updated version of this installation guide.
- This is a general installation guideline, actual installation may vary. Consult a professional if necessary.
- Please read all of these instructions carefully before installing your new faucet.
- Product drawings in this installation guide is for illustration purpose only. Actual product may vary depends on model.
- Always take extra precautions and wear appropriate safety equipment when installing this product.

You may also need the following tools

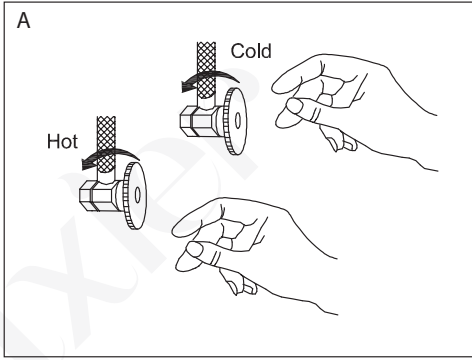


## Maintenance Guide

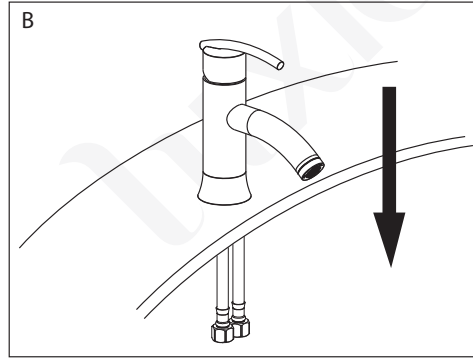
Please follow the cleaning material manufacturer's instructions. Damage caused by improper treatment will not be covered by product warranty. In addition, pay attention to the following points:

- Regular cleaning can prevent mineral build up on faucet spout.
- Carefully read the cleaner product label to ensure the cleaner is safe for use on the material.
- Test the cleaner on a small area before using on the entire surface.
- Use a mild detergent such as liquid dishwashing soap and warm water for cleaning.
- Do not use abrasive / harsh chemical when cleaning the fixture as they will damage and dull the finish.
- When using spray cleaners, spray first onto a soft cloth or sponge. Never spray directly onto the faucet as droplets can enter openings and gaps and cause damage.
- After cleaning, rinse thoroughly with clean water to remove any cleaner residue.

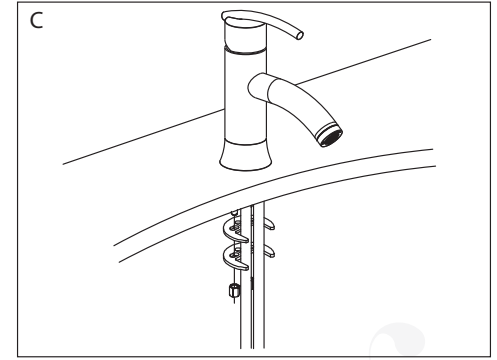
# Installation



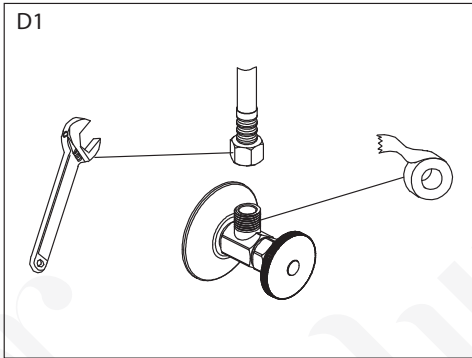
A. Shut off water supply at the valves. Remove old faucet and clean the mounting surface for installation of new faucet.



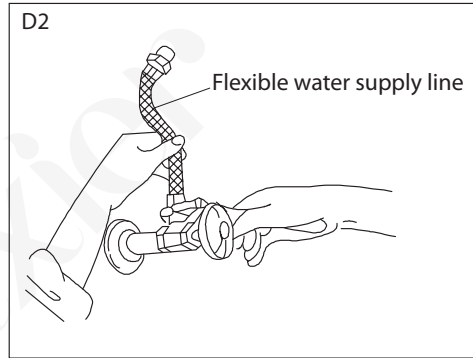
B. First place the new faucet through the flange on the mounting surface. The faucet hole should be 1 3/8" in diameter on the mounting surface.



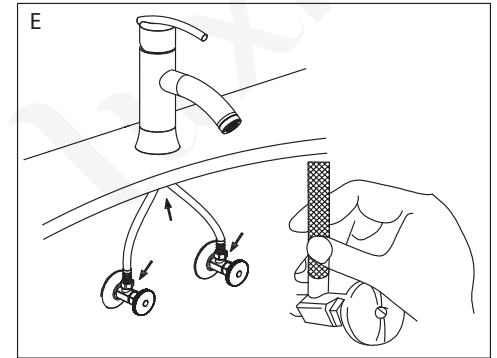
C. Insert the rubber washer, metal washer, and secure the faucet with the mounting nut.



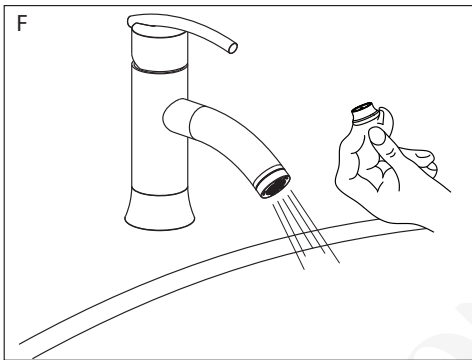
D1. Apply Teflon (TPFE) tape on the shut off valves. Thread the tape in counter-clockwise direction.



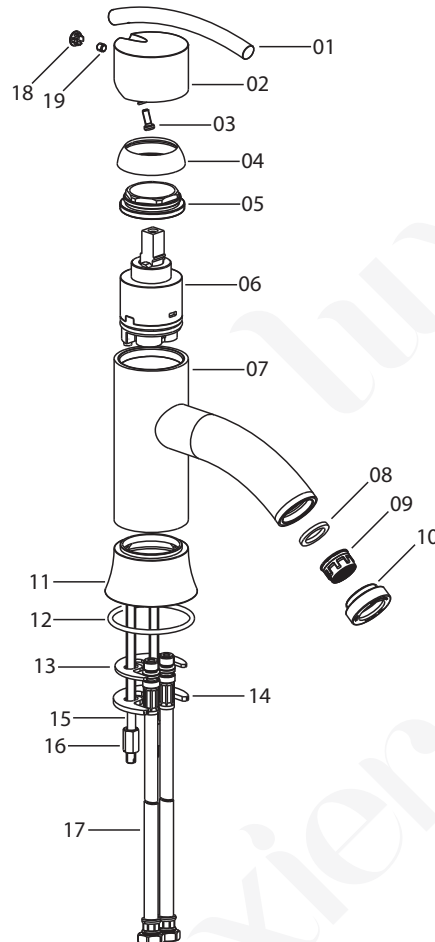
D2. Use a wrench to tighten the hoses, please do not overtighten the connections.



E. Turn on the water supply to check for leaks at all connections.



F. Remove aerator from the spout and let the water run for about 1 minute to clear any debris in the plumbing system. Attach the aerator.



- 01. Plug
- 02. Setscrew
- 03. Screw
- 04. Cap
- 05. Bonnet
- 06. Cartridge
- 07. Body
- 08. Gasket
- 09. Aerator
- 10. Aerator Housing
- 11. Base
- 12. O-ring
- 13. Rubber Gasket
- 14. Metal Washer
- 15. Mounting Bolt
- 16. Locking Nut
- 17. Water Supply Hoses
- 18. Cap
- 19. Setscrew