

4

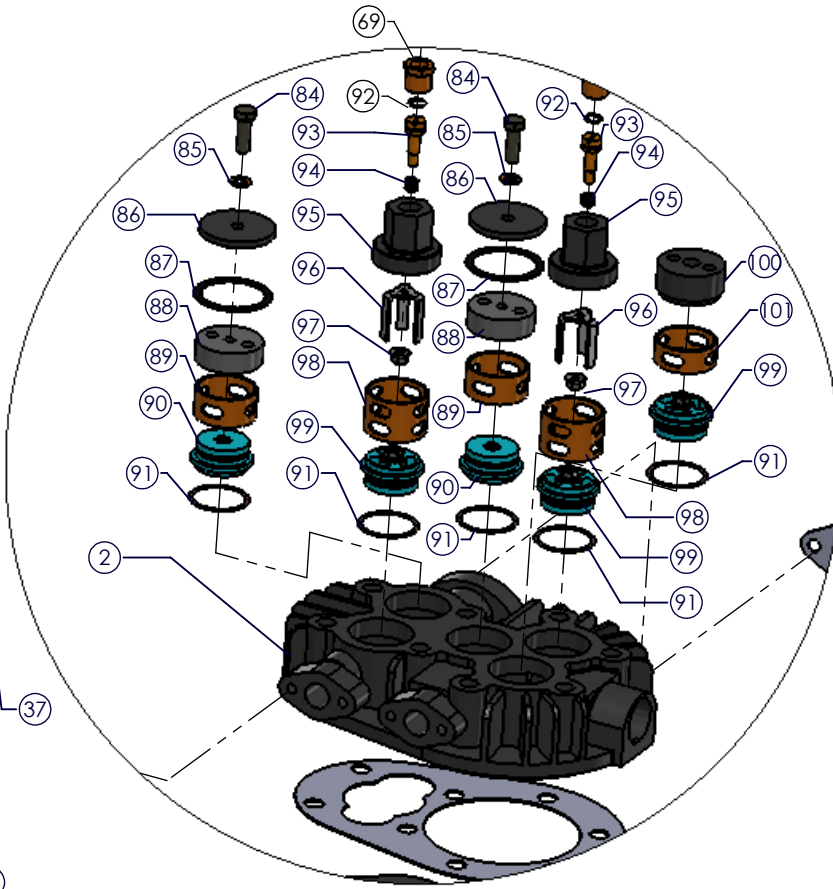
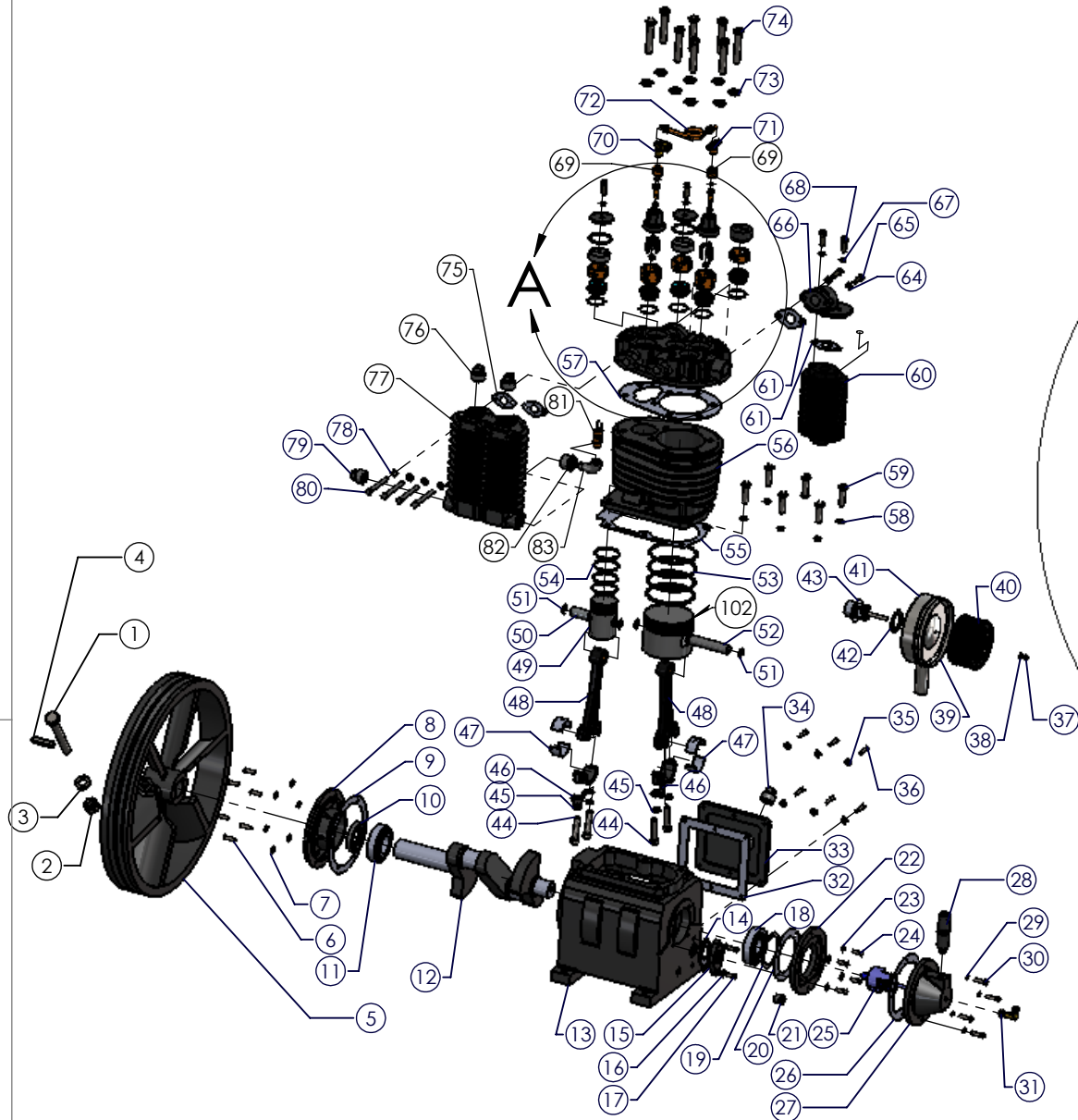
3

2

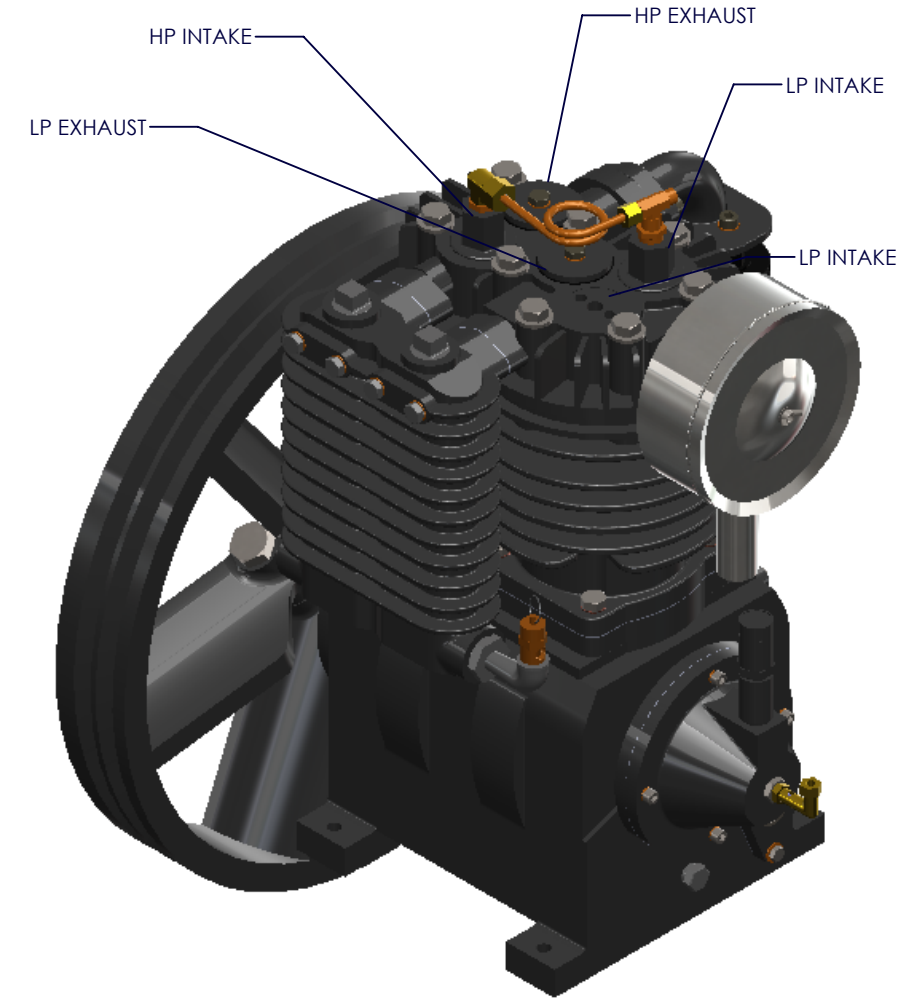
1

REV	DESCRIPTION	REV BY	DATE	APPD	DATE
A	XXXXXX	XX	XX-XX	XXXX	XX-XX-

B



DETAIL A  
SCALE 1 : 5



B

A

A

**GEOMETRIC CHARACTERISTICS & SYMBOLS**

- ▭ FLATNESS
- STRAIGHTNESS
- ∠ ANGULARITY
- ⊥ PERPENDICULARITY (SQUARENESS)
- ∥ PARALLELISM
- ROUNDNESS (CIRCULARITY)
- ⊘ CYLINDRICITY
- ⌒ PROFILE OF ANY SURFACE
- ⌒ PROFILE OF ANY LINE
- ↻ RUNOUT
- ⊕ TRUE POSITION
- ◎ CONCENTRICITY
- ≡ SYMMETRY

UNLESS OTHERWISE SPECIFIED  
DIM. TOLERANCES ARE AS FOLLOWS:

	X	XX	XXX	XXXX
INCH	±.1	±.02	±.005	±.0005
mm	±0.5	±0.13	±0.013	

ANG. ±.50 DEG  
REMOVE BURRS & BREAK SHARP EDGES:  
INCH .003 - .015 mm 0.1 - 0.4  
CORNER FILLETS TO:  
INCH .020 mm 0.5  
MACHINE SURFACES:  
125 / 3.2  
INCH mm  
METRIC DIMS. SHOWN IN [BRACKETS]

DR BY: **ALAN CAIN**  
APPD: **MATT CAIN**  
THIRD ANGLE PROJECTION

DR BY DATE: **09-05-2014**  
APPD DATE: **09-05-2014**  
EDS DATE: 01-17-2012  
FORMAT REV: **G**

CONFIDENTIAL : THIS DRAWING AND ITS INFORMATION ARE THE EXCLUSIVE AND CONFIDENTIAL PROPERTY OF **AIRBASE INDUSTRIES** AND ARE NOT TO BE DISCLOSED, DUPLICATED, DISTRIBUTED OR OTHERWISE USED WITHOUT THE WRITTEN CONSENT OF **AIRBASE INDUSTRIES** - ALL RIGHTS RESERVED.  
ASME Y14.5 1994

DESCRIPTION		1000 CASS DR CLAYTON, OHIO 45315	
<b>5HP IN-LINE 2 STAGE PUMP</b>			
SIZE	DWG NO		
<b>B</b>	<b>EC5 PUMP ASSEMBLY EXPLODED</b>		
		SHEET	1 OF 2 SW

4

3

2

1

4

3

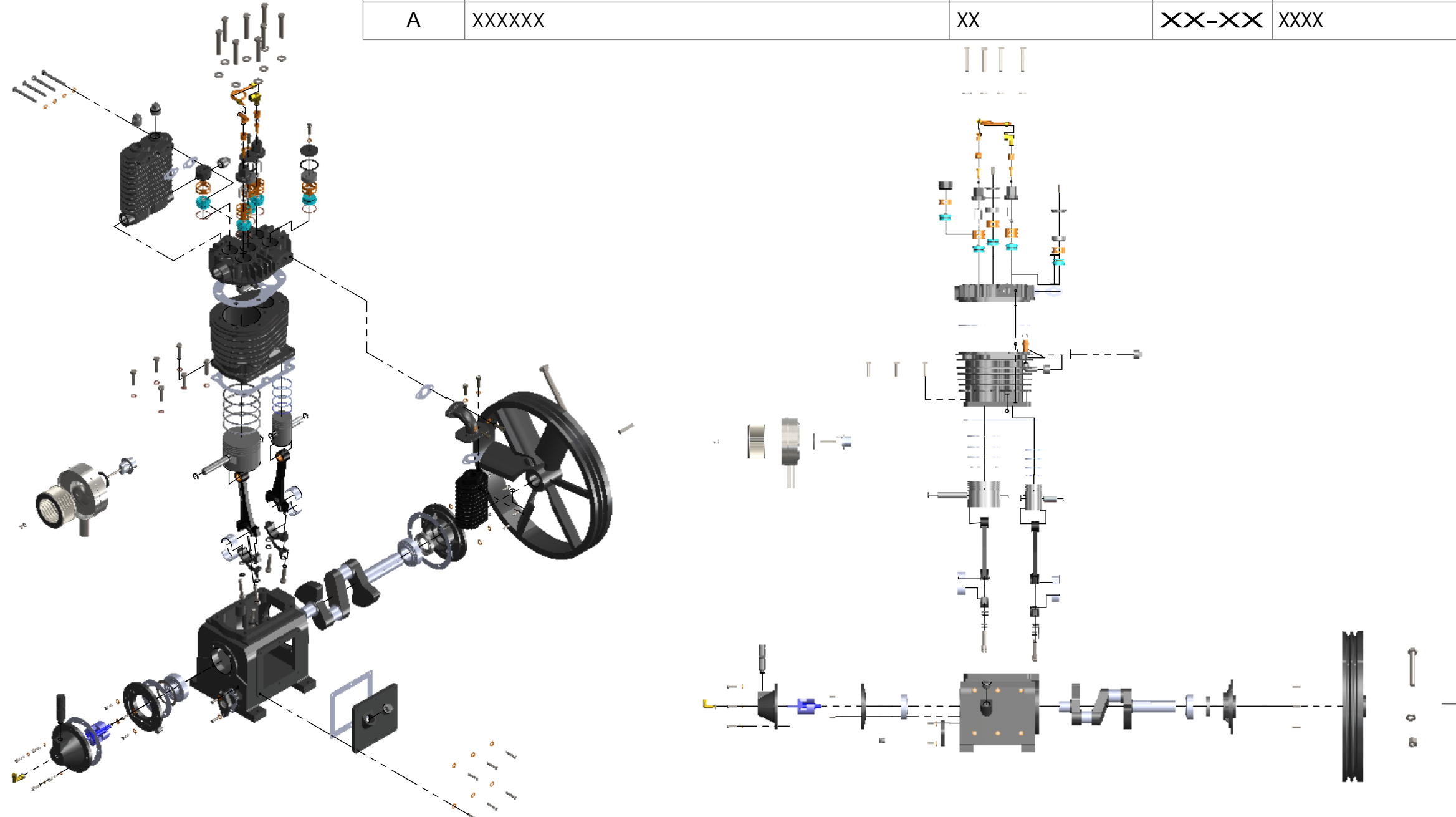
2

1

REV	DESCRIPTION	REV BY	DATE	APPD	DATE
A	XXXXXX	XX	XX-XX	XXXX	XX-XX-

B

B



A

A

**GEOMETRIC CHARACTERISTICS & SYMBOLS**

	FLATNESS
	STRAIGHTNESS
	ANGULARITY
	PERPENDICULARITY (SQUARENESS)
	PARALLELISM
	ROUNDNESS (CIRCULARITY)
	CYLINDRICITY
	PROFILE OF ANY SURFACE
	PROFILE OF ANY LINE
	RUNOUT
	TRUE POSITION
	CONCENTRICITY
	SYMMETRY

UNLESS OTHERWISE SPECIFIED  
DIM. TOLERANCES ARE AS FOLLOWS:

	X	XX	XXX	XXXX
INCH	±.1	±.02	±.005	±.0005
mm	±0.5	±0.13	±0.013	

ANG. ±.50 DEG  
REMOVE BURRS & BREAK SHARP EDGES:  
INCH .003 - .015    mm 0.1 - 0.4

CORNER FILLETS TO:  
INCH .020    mm 0.5

MACHINE SURFACES:  
INCH  $\sqrt{125}$     mm  $\sqrt{3.2}$

METRIC DIMS. SHOWN IN [BRACKETS]

DR BY:	DR BY DATE:
APPD:	APPD DATE:
THIRD ANGLE PROJECTION	EDS DATE 01-17-2012 FORMAT REV G

CONFIDENTIAL : THIS DRAWING AND ITS INFORMATION ARE THE EXCLUSIVE AND CONFIDENTIAL PROPERTY OF AIRBASE INDUSTRIES AND ARE NOT TO BE DISCLOSED, DUPLICATED, DISTRIBUTED OR OTHERWISE USED WITHOUT THE WRITTEN CONSENT OF AIRBASE INDUSTRIES - ALL RIGHTS RESERVED.

ASME Y14.5 1994



DESCRIPTION  
**5HP IN-LINE 2 STAGE PUMP**

SIZE DWG NO  
**EB5 PUMP ASSEMBLY EXPLODED**

SHEET 2 OF 2 SW

4

3

2

1