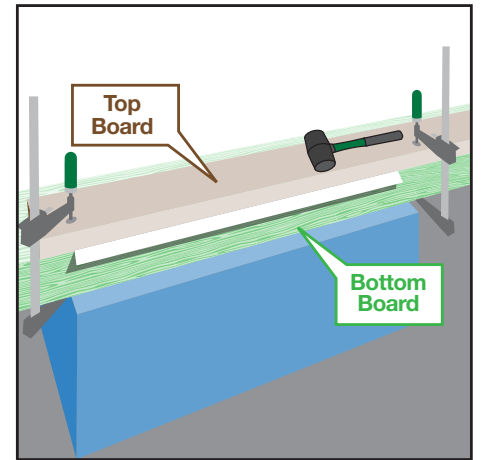
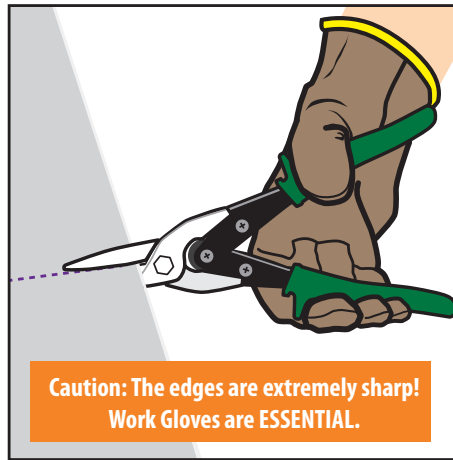
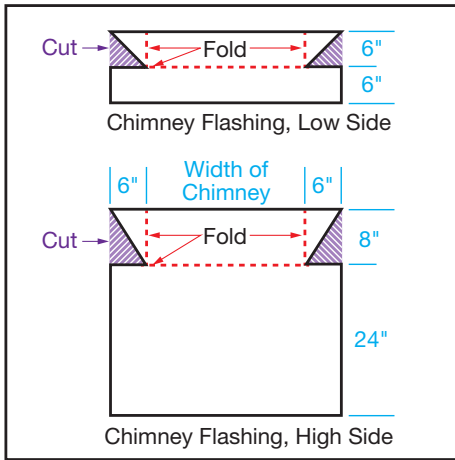


Flat Stock can be used for custom flashing and do-it-yourself projects.



MEASURE

Carefully measure and mark where flashing is to be cut and bent. Lightly scribe the fold lines with a utility knife or marking gauge.

CUT

Roll flashing can heavily scribed, using a straight edge and utility knife, then bent until it snaps; or it can be easily cut with "tin snips".

BEND

Make crisp bends with a professional brake, or clamp the flashing material between two straight wooden blocks. Refine the edges with a rubber mallet.

