



Reverse Osmosis Filtration System

Safety Instructions
 Safety Instructions2, 3
 Specification Guidelines4

Operating Instructions
 About the RO System5, 6

Installation Instructions
 Tools and Materials Required7
 Before Beginning Installation7, 8
 Mounting System Installation9
 Feed Water Supply10-13
 Faucet Assembly14, 15
 Battery Installation15
 Filtration Drain Connection16, 17
 Storage Tank and Startup18

Care and Cleaning
 Prefilter, Postfilter and
 RO Cartridge Replacement19
 Sanitization20
 Water Test Kit21

Troubleshooting Tips 22, 23

Consumer Support
 Consumer SupportBack Cover
 Parts List/Catalog24, 25
 Warranty26



PXRQ15RBL and PNRQ15RBL are Tested and Certified to NSF/ANSI Standards 58 and 42 and CSA B483.1 for the reduction of the claims as specified on the Performance Data Sheet.

Write the model and serial numbers here:

Model # _____

Serial # _____

You can find them on the bracket.

**Owner's Manual
and Installation**

PNRQ15RBL
PXRQ15RBL

Osmose Inversée Système de Filtration

**Manuel d'utilisation
et d'installation**

La section française commence à la page 27

Ósmosis Inversa Sistema de Filtración

**Manual del propietario
y instalación**

La sección en español empieza en la página 55




IMPORTANT SAFETY INFORMATION. READ ALL INSTRUCTIONS BEFORE USING.

SAFETY INFORMATION

Read, understand, and follow all safety information contained in these instructions prior to installation and use of the GE Reverse Osmosis systems. Retain these instructions for future reference.

Intended use:

The GE Reverse Osmosis systems are intended for use in filtering potable water in Residential applications, and has not been evaluated for other uses. The system is typically installed at the point of use, and must be installed as specified in the installation instructions. Contact a plumbing professional if you are uncertain how to install.

	This is the safety alert symbol. It is used to alert you to potential personal injury hazards. Obey all safety messages that follow this symbol to avoid possible injury or death.
 WARNING	WARNING indicates a potentially hazardous situation which, if not avoided, could result in death or serious injury.
 CAUTION	CAUTION indicates a potentially hazardous situation which, if not avoided, may result in minor to moderate injury.
CAUTION	CAUTION used without the safety alert symbol indicates a potentially hazardous situation which, if not avoided, may result property damage.



SAFETY PRECAUTIONS

- Be sure the water supply conforms with the *Specification Guidelines*. If the water supply conditions are unknown, contact your municipal water company or your local health department for a list of contaminants in your area and a list of laboratories certified by your state to analyze drinking water.

WARNING To reduce the risk associated with choking:

- Do not allow children under 3 years of age to have access to small parts during the installation of this product.

WARNING To reduce the risk associated with the ingestion of contaminants:

- Do not use with water that is microbiologically unsafe or of unknown quality without adequate disinfection before or after the system. Systems certified for cyst reduction may be used on disinfected water that may contain filterable cysts. EPA Establishment #10350-MN-005.

WARNING To reduce the risk associated with hazardous voltage due to an installer drilling through existing electric wiring or water pipes in the area of installation:

- Do not install near electric wiring or piping which may be in path of a drilling tool when selecting the position to mount the filter bracket.

WARNING To reduce the risk of physical injury:

- Depressurize system as shown in manual prior to cartridge removal.

WARNING To reduce the risk of physical injury due to hydro-pneumatic tank rupture:

- Do not install if water pressure exceeds 120 psi (827 kPa). If your water pressure exceeds 80 psi (552 kPa), you must install a pressure limiting valve. Contact a plumbing professional if you are uncertain how to check your water pressure.
- Do not install where water hammer conditions may occur. If water hammer conditions exist you must

install a water hammer arrester. Contact a plumbing professional if you are uncertain how to check for this condition.

- Where a backflow prevention device is installed on a water system, a device for controlling pressure due to thermal expansion must be installed.

WARNING To reduce the risk associated with irritation from Sodium Metabisulphite during installation:

- Sodium Metabisulphite (CAS 007681-57-4) is used in a 1% preservative solution within the reverse osmosis membrane.
- To request an MSDS relating to this product call 203-238-8965 or visit the web at http://solutions.3m.com/wps/portal/3m/en_us/msds (click MSDS search). For emergencies, call 800-364-3577 or 651-737-6501 (24 hours).

WARNING To reduce the risk associated with ingesting of water contaminated with sanitizer:

- After installation, sanitizer **MUST** be flushed from the system before first use as directed within the installation instructions.

This system has been tested for the treatment of water containing pentavalent arsenic (also known as As(V), As(+5) or arsenate) at concentrations

of 0.050 mg/L or less. This system reduces pentavalent arsenic, but may not remove other forms of arsenic. This system is to be used on water supplies containing a detectable free chlorine residual or on water supplies that have been demonstrated to contain only pentavalent arsenic. Treatment with chloramine (combined chlorine) is not sufficient to ensure complete conversion of trivalent arsenic to pentavalent arsenic. Please see the Arsenic Facts section of the Performance Data Sheet for further information.

This reverse osmosis system contains a replaceable component critical to efficiency of the system. Replacement of the reverse osmosis component should be with one of identical specifications, as defined by the manufacturer, to assure the same efficiency and contaminant reduction performance.

IMPORTANT SAFETY INFORMATION. READ ALL INSTRUCTIONS BEFORE USING.

GEAppliances.com



PROPER INSTALLATION AND MAINTENANCE

This Reverse Osmosis system must be properly installed and located in accordance with the Installation Instructions before it is used.

■ Extended non-use of the Reverse Osmosis system.

If the system has not been used for one week or more, open the RO water faucet and allow the system to drain. Close the RO water faucet and allow the system to regenerate the water supply.

■ Recommended installation is under the sink.

However, the unit can be installed in a remote location, up to 20 feet away from the sink.

- However, additional materials will be required. See parts list to obtain additional materials from GE.
- Locating the tank on a basement floor, with the faucet at a first floor sink may result in some loss of flow rate and capacity (approximately 20%). Installing a second tank will improve this performance. An RVKIT can be used.

■ If Reverse Osmosis system is connected to a refrigerator icemaker, a special icemaker connection kit is required (RVKIT). Do not use copper tubing for the connection between the Reverse Osmosis system and the refrigerator.

■ Sanitize upon installation of the Reverse Osmosis system and after servicing inner parts, including replacement of prefilter, postfilter and Reverse Osmosis cartridge. It is important to have clean hands while handling inner parts of the system. See the *Sanitizing the Reverse Osmosis System* section.

■ This Reverse Osmosis system contains a replaceable treatment component critical for effective reduction of total dissolved solids. This product water shall be tested periodically to verify that the system is performing satisfactorily. See the *The Water Test Kit* section.

BE SURE TO FOLLOW ALL APPLICABLE STATE AND LOCAL CODES.

CAUTION: To reduce the risk associated with property damage due to water leakage:

- Read and follow these instruction before installation and use of this system.
- Installation and use MUST comply with all state and local plumbing codes.
- Protect from freezing, remove filter cartridge when temperatures are expected to drop below 40° F (4.4° C).
- **Do not** install systems in areas where ambient temperatures may go above 110° F (43.3° C).

- Do not install if water pressure exceeds 120 psi (827 kPa). If your water pressure exceeds 80 psi (552 kPa), you must install a pressure limiting valve. Contact a plumbing professional if you are uncertain how to check your water pressure.
- Do not install where water hammer conditions may occur. If water hammer conditions exist, you must install a water hammer arrester. Contact a plumbing professional if you are uncertain how to check for this condition.
- Where a back flow prevention device is installed on a water system, a device for controlling pressure due to thermal expansion must be installed.

CAUTION: To reduce the risk associated with property damage due to water leakage:

- Do not use a torch or other high temperature sources near filter system, cartridges, plastic fittings or plastic plumbing.
- On plastic fittings, never use pipe sealant or pipe dope. Use PTFE thread tape only, pipe dope properties may deteriorate plastic.
- Take care when using pliers or pipe wrenches to tighten plastic fittings, as damage may occur if over tightening occurs.
- Do not install in direct sunlight or outdoors.
- Do not install near water pipes which will be in path of a drilling tool when selecting the position to mount the bracket.
- Mount filter in such a position as to prevent it from being struck by other items used in the area of installation.
- Ensure that the location and fasteners will support the weight of the system when installed and full of water.
- Ensure all tubing and fittings are secure and free of leaks.
- Do not install unit if any collets (parts 27 and 28 on page 24) are missing. Contact 800.626.2002 (U.S.), 800.663.6060 (Canada-English), 800.362-3869 (Canada-French) if collets are missing from any fittings to obtain replacements.
- Replace the disposable pre and post filter cartridges every 6 months, at the rated capacity or sooner if a noticeable reduction in flow rate occurs.
- Replace the disposable RO cartridge every 24 months or sooner if a noticeable reduction in filtration efficiency occurs.



**READ AND FOLLOW THIS SAFETY INFORMATION CAREFULLY.
SAVE THESE INSTRUCTIONS**

Safety Instructions

Operating Instructions

Installation Instructions

Troubleshooting Tips

Consumer Support

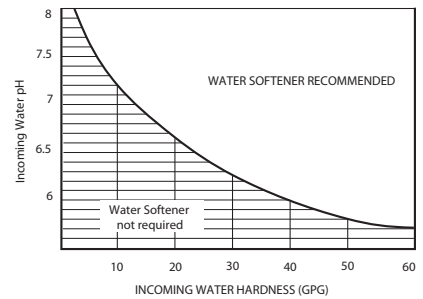
Specification guidelines.



The system makes a good supply of drinking water each day. How much it will make depends primarily on these things...

- Feed water pressure limits—pounds per square inch (psi)**40–120^a
- Feed water temperature limits—minimum/maximum degrees F**40–100
- Maximum Total Dissolved Solids (TDS)—parts per million (ppm)**2000
- Maximum water hardness @ 6.9 pH recommended to optimize membrane life—grains per gallon (gpg)**10

For water with hardness greater than 10 grains (at 6.9 pH), the use of a softener is recommended. Failure to install a water softener will reduce the life of the Reverse Osmosis membrane. See chart for additional information on the possible need for a water softener.



- Maximum turbidity (NTU)**<2
- Maximum iron, manganese, hydrogen sulfide (ppm)**<0.1
- Chlorine in water supply**2.0 ppm Maximum Allowable^b
- Feed water pH limits (pH)**4–10
- Storage tank capacity—gallons**4^c
- Automatic shutoff control**yes
- Prefilter and postfilter**(FQROPF) Carbon Block
- Reverse Osmosis membrane**(FQROMF) Thin Film Polyamide
- Storage Tank Dimension (inches)**height 15" diameter 11"
- System Body Dimension (inches)**height 11" width 10.5" depth 4"

- a. If house water pressure is over 80 psi, install a pressure reducing valve in the water supply line. If house water pressure is under 40 psi, install a Reverse Osmosis booster pump (contact your local plumbing supply company).
- b. Removed (maximum of 2.0 ppm) by the Reverse Osmosis prefilter. *REGULAR MAINTENANCE IS REQUIRED.* Chlorine will destroy the Reverse Osmosis membrane.
- c. Theoretical tank capacity. When tested according to NSF/ANSI Standard 58 at 50 psig inlet pressure, tank capacity is 2.3 gallons.

How the Reverse Osmosis System Works

Reverse Osmosis reduces Total Dissolved Solids (TDS) and organic matter from water by diffusing it through a special membrane (see Performance Data Sheet). The membrane separates minerals and impurities from the water and they are flushed to the drain. For the reduction of the claims specified, see Performance Data Sheet. High quality product water goes directly to the drinking water faucet or to the storage tank. The system makes a good supply of drinking water each day. How much it makes depends on the feed water supply pressure, temperature and quality.

The prefilter and postfilter are replaceable cartridges. The carbon prefilter reduces chlorine while also filtering sediments. The postfilter reduces any other undesirable tastes and odors before you use the water.

The system includes an electronic faucet assembly with a prefilter and postfilter change reminder. When six months have passed, a flashing light will remind you to change the two filters.

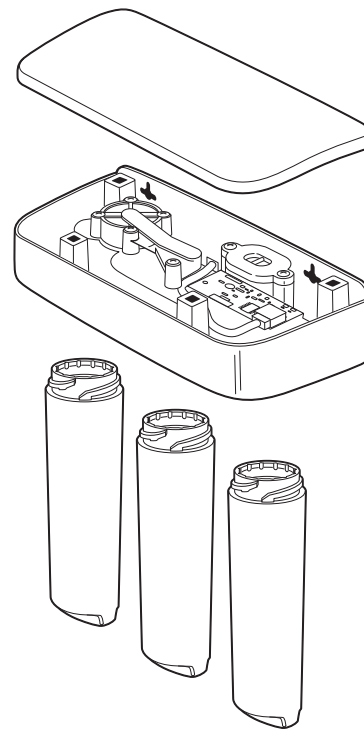
Description of the Reverse Osmosis System

1 Prefilter—Water from the cold supply pipe is directed to the prefilter cartridge. The prefilter is a replaceable sediment cartridge containing activated carbon. The prefilter reduces chlorine taste and odor in the feed water because CHLORINE DESTROYS THE REVERSE OSMOSIS MEMBRANE. Filtered, clean, chlorine-reduced water flows from the prefilter to the Reverse Osmosis cartridge.

2 Reverse Osmosis Cartridge—The middle cartridge includes a tightly wound, special membrane. Water is forced through the cartridge where the membrane reduces the dissolved solids and organic matter. High quality product water exits the Reverse Osmosis cartridge and goes to the storage tank. Reject water, with the dissolved solids and organic matter, leaves the cartridge and is discharged to the drain through 1/4" tubing.

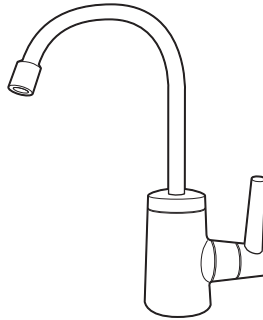
3 Postfilter—After leaving the storage area, but before going to the system faucet, product water goes to the postfilter cartridge. The postfilter is also a replaceable sediment cartridge that contains activated carbon. Any remaining tastes, odors or sediments are reduced from product water by the postfilter. Clean, high quality drinking water flows through the tubing and to the system faucet.

4 Storage Tank—The storage area holds up to 2-1/2 gallons of product water. A diaphragm inside the tank keeps water pressurized, when the tank is full, for fast flow to the faucet when drinking water is needed.



About the reverse osmosis system.

- 5 Check Valve**—The check valve prevents a backward flow of product water from the storage tank. A backward flow could cause the Reverse Osmosis membrane to rupture.
- 6 Automatic Shutoff Assembly**—To conserve water, the drinking water system has an automatic shutoff. When the storage tank has filled to capacity and the drinking water faucet is closed, pressure closes the shutoff. Water flow to the Reverse Osmosis housing is shut off until drinking water is used again, and pressure drops in the Reverse Osmosis system.
- 7 Flow Control**—The flow control regulates the flow of water through the Reverse Osmosis cartridge at the required rate to produce high quality water. The control is located in the 1/4" drain line exiting off the manifold.
- 8 Faucet and Electronics**—The countertop faucet dispenses filtered drinking water when opened. It has a hand-operated lever, with variable flow adjustment. You can keep the faucet open by removing your hand from the lever once water is flowing. To comply with plumbing codes, an air gap is built into the faucet drain water connection.



The electronic faucet provides a six month timer to remind you when it is time to replace your prefilter and postfilter. Replace the filters when the light begins to flash in order to protect the RO membrane and keep the system functioning properly.

Installation Instructions

Reverse Osmosis Filtration System

Models PXRQ15RBL and PNRQ15RBL

 Questions? Call 800.GE.CARES (800.432.2737) or visit our Website at: GEAppliances.com
In Canada, call 1.800.561.3344 or visit www.GEAppliances.ca

⚠ WARNING: Read entire manual. Failure to follow all guides and rules could cause personal injury or property damage.

- Check with your state and/or local public works department for plumbing codes. You must follow their guides as you install the Water Filtration system.

NOTE: Failure to comply with these installation instructions will void the product warranty, and the installer will be responsible for any service, repair or damages caused thereby.

TOOLS AND MATERIALS REQUIRED FOR INSTALLATION

- Electric drill and 1-1/4" Drill Bit (type as required) if mounting is needed for faucet
- Two (2) Adjustable Wrenches
- 1/16" Drill Bit (optional for pilot holes)
- Tape Measure
- Phillips and Flat Blade Screwdrivers
- Utility Knife
- If your main water line is a rigid pipe, you will require a compression fitting and possibly other plumbing hardware to complete the installation.

IMPORTANT — To avoid damaging the sink, consult a qualified plumber or installer for drilling procedures. Special drill bits may be needed for porcelain or stainless steel.

BEFORE BEGINNING INSTALLATION

Read these instructions completely and carefully.

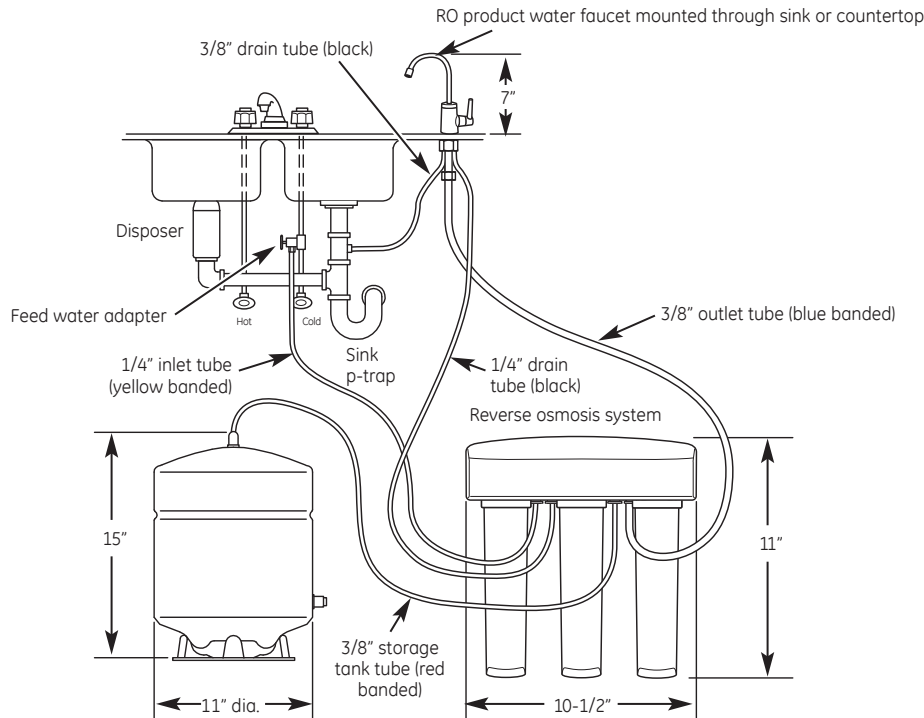
- **IMPORTANT** — Save these instructions for local inspector's use.
- **IMPORTANT** — Observe all governing codes and ordinances.
- **Note to Installer** – Be sure to leave these instructions with the Consumer.
- **Note to Consumer** – Keep these instructions for future reference.
- Proper installation is the responsibility of the installer.
- Product failure due to improper installation is not covered under the Warranty.
- A shutoff valve must be available or added near the installation point.

CONTENTS INCLUDED WITH PRODUCT

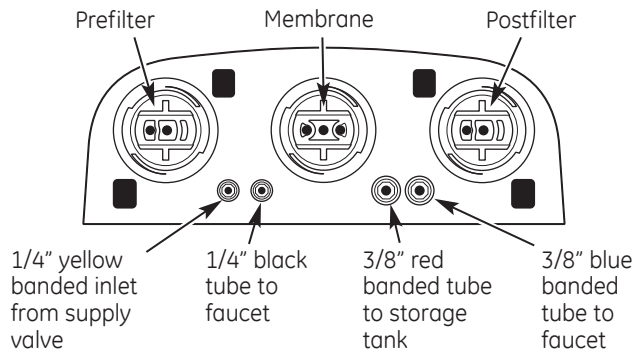
- Reverse Osmosis Assembly and Tubing
- Product Literature (Owner's Manual and Installation Instructions)
- Performance Data Sheet
- Feed Water Adapter
- Faucet Assembly with Electronic Base Monitor and Tubing
- Storage Tank
- Drain Line Adapter

Installation Instructions

Things to Check Before Beginning Installation



TUBING/FILTER DETAIL



FILTRATION DRAIN CONNECTION

A suitable drain point and air gap (**check your state and/or local codes**) are needed for reject water from the Reverse Osmosis membrane cartridge.

RO FAUCET

The RO product water faucet installs on the sink or on the countertop next to the sink. Often, it is installed in an existing sink spray attachment hole or a hole may be drilled. Space is required underneath for tubing to and from the faucet, and for securing the faucet in place. All faucet connections are done on or above the sink or countertop.

FEED WATER

The water supply to the undercounter Reverse Osmosis system must have the qualities listed in the specifications. Municipal water supplies most often will have these qualities. Well water may need conditioning—have the water tested by a water analysis laboratory and get their recommendations for treatment.

IMPORTANT — For water with a hardness greater than 10 grains (at 6.9 pH), the use of a softener is recommended. Failure to install a softener will reduce the life of the Reverse Osmosis cartridge.

BASEMENT INSTALLATION

If installing in a basement, leave enough tubing in place during installation to be able to move unit to floor for ease at servicing and making filter/membrane changes. Additional tubing and fittings required.

NOTE: See parts list on page 25 for optional parts that may be required for a basement installation.

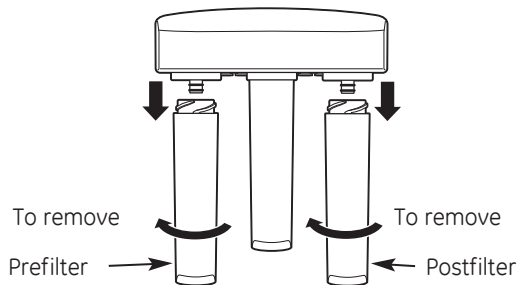
Installation Instructions

REVERSE OSMOSIS ASSEMBLY

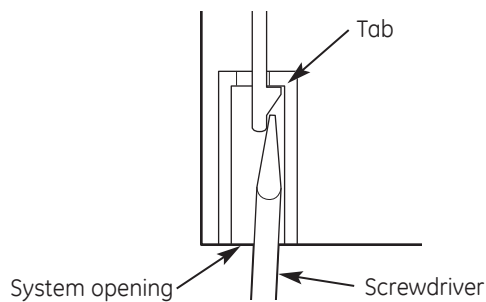
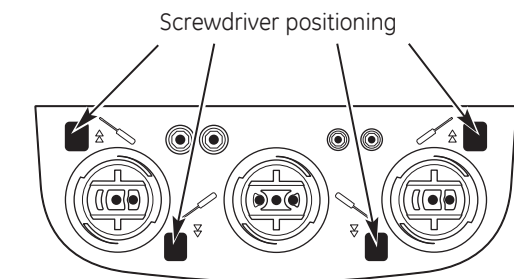
MOUNTING SYSTEM INSTALLATION

Choose a location under the sink to mount the system. Location should be easily accessible, with adequate clearance between the bottom of the filter cartridges and the floor or bottom of the cabinet for removal of filter cartridges. Allow enough space on either side of the system for the tubing connections.

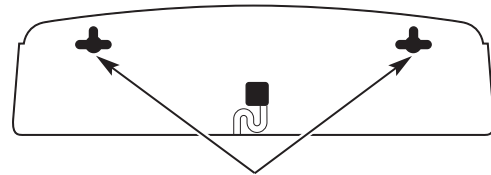
1. Remove the prefilter and postfilter cartridges.
2. Remove the assembly cover by unlocking the four tabs on the cover from the system.



3. Use a flat-head screwdriver to work from left to right from the underside of the system.
4. Use the icons on the bottom of the system for screwdriver positioning.

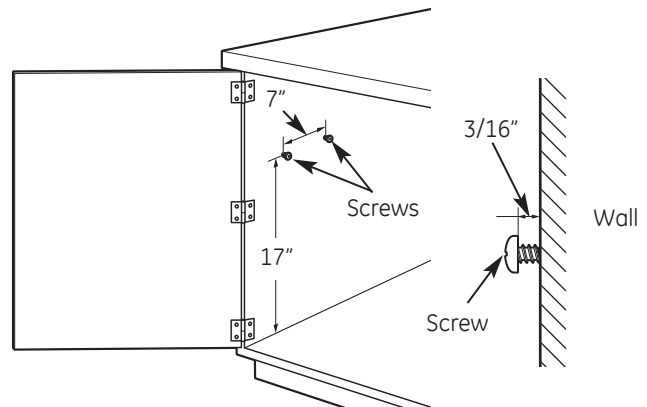


5. Hold the Reverse Osmosis assembly up to the wall surface where you wish to install it. Mark location for screws. There should be a minimum of 17" from the marks to the bottom of the cabinet floor.



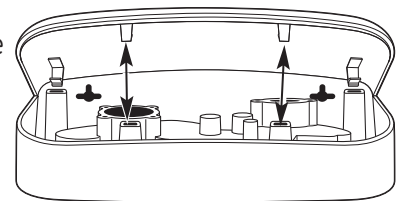
IMPORTANT – Do not get dirt or debris inside the assembly area. Use only to mark mounting hole locations.

6. Install screws to the wall, leaving a 3/16" clearance between the head of the screw and wall (drill pilot holes if needed).

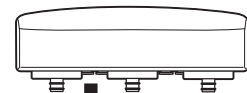


7. Hang the Reverse Osmosis assembly on the screws. Tighten or loosen the screws as desired until the system is secure on the wall.

8. To install the cover, line up the front tabs on the cover with the openings in the system.



9. Snap the cover in place; the tabs will flex, allowing the cover to snap in place.



10. Remove the membrane cartridge.



Installation Instructions

FEED WATER SUPPLY

Check and comply with local plumbing codes as you plan, then install a cold feed water supply fitting.

A. PREFERRED INSTALLATION

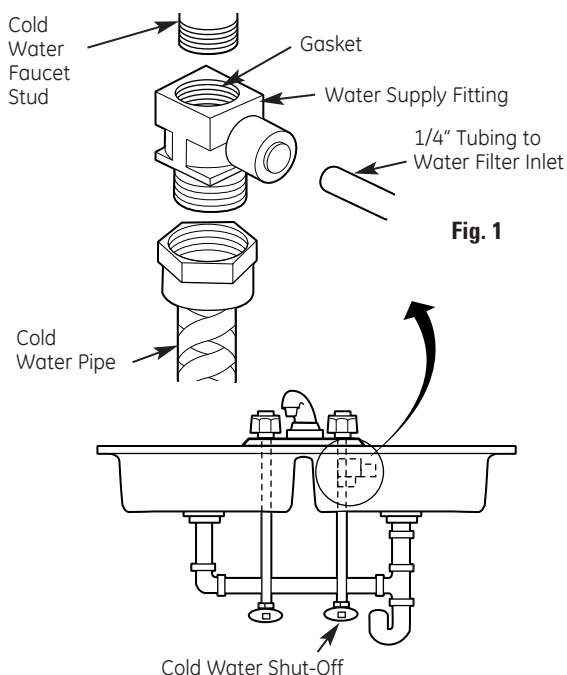
Utilizing existing kitchen sink water supply valve and removable faucet tubing.

A typical connection using the included water supply fitting is shown in the illustration below.

1. Close the water shut-off valve that is immediately in front of the supply tube and open the faucets to drain water from the sink cold water pipe.
2. Remove the nut that connects the cold water faucet to the supply tube. Some water may spill out.

NOTES:

- Be sure to turn off the water supply and open a faucet to drain the pipe.
- Make sure the gasket is installed in the water supply fitting.



3. Hand-tighten the water supply fitting onto the cold water faucet. Be sure the gasket, as shown, is in place before final assembly. Finish tightening with an adjustable wrench. **Be careful not to overtighten or cross-thread, since damage to the threads can occur.** Make sure the 1/4" quick connection is not against a wall that causes the supply tubing connection to bend. A quarter turn to tighten or loosen the adapter may be necessary to avoid this.
4. Reconnect faucet tubing line to the fitting.
5. Install tubing. (See *Installing the Tubing* section.)

B. OPTIONAL INSTALLATION 1

Utilizing existing kitchen sink water supply valve (A) and removable faucet tubing (B).

1. Refer to illustration below to complete assembly depending on supply valve size (A).
2. Close the cold water supply valve (A) under the sink.
3. Unscrew the flexible tubing line (B) from the supply valve (A) that connects to the COLD water riser.

NOTE: For rigid pipe, see *D. Optional Rigid Pipe Installation* on page 11.

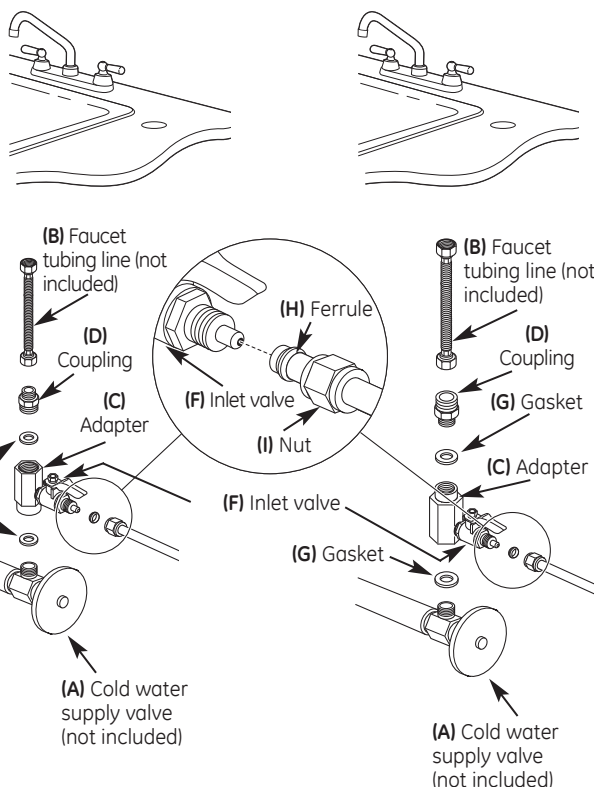
Note Adapter (C) orientation:

3/8-inch installation—Rounded end of adapter (C) connects to supply valve (A).

1/2-inch installation—Rounded end of adapter (C) connects to coupling (D), then to existing faucet tubing (B).

For 3/8" Plumbing

For 1/2" Plumbing



Installation Instructions

FEED WATER SUPPLY (cont.)

B. OPTIONAL INSTALLATION 1 (CONT.)

4. Assemble adapter (C) and coupling (D) as shown in illustration on page 9, per your configuration. Ensure that the gasket (G) is in place before final assembly. Start installation by hand, then finish tightening with adjustable wrench. **Be careful not to overtighten or cross-thread since damage to threads may occur.**
5. Hand-tighten assembled adapter (C) onto supply valve (A) for the proper size installation. Be sure gasket (G) is in place before final assembly. Start installation by hand; then finish tightening with an adjustable wrench. **Be careful not to overtighten or cross-thread since damage to threads may occur.**
6. Reconnect faucet tubing line (B) to top of adapter (C).
7. Cut wire ties on tubing coils, using care not to damage tubes or parts if using a utility knife.
8. Remove the 1/2" nut (I) and ferrule (H) from end of inlet valve. Using the yellow banded tubing provided, place the nut (I) and ferrule (H) onto the tubing and install onto inlet valve (F) as shown at left. Tighten with adjustable wrench. **Be careful not to overtighten or cross-thread since damage to threads may occur.**

NOTE: Inspect the ends of the tubing prior to installation to be sure there are no imperfections and that the end of the tubing is cut square. It may be necessary to cut the tubing again.

C. OPTIONAL INSTALLATION 2

Where codes permit (Requires additional parts)

***For 1/2" OD or larger metal tubing only.**

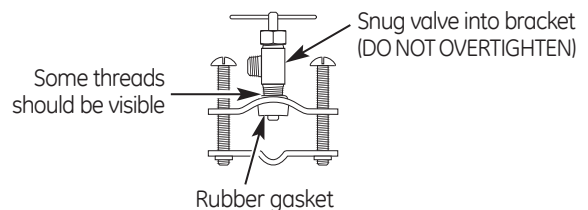
NOTE: Codes in the state of Massachusetts require installation by a licensed plumber and do not permit the use of the saddle valve. For installation, use plumbing code 248-CMR of the Commonwealth of Massachusetts.

Saddle valve is available through GE Parts and Services at 1.800.626.2002, part number WS15X10023. Self-piercing saddle valves are not recommended.

1. Turn off the cold water supply and attach saddle valve as required by product selection. (Be sure to follow manufacturer's Installation Instructions.)

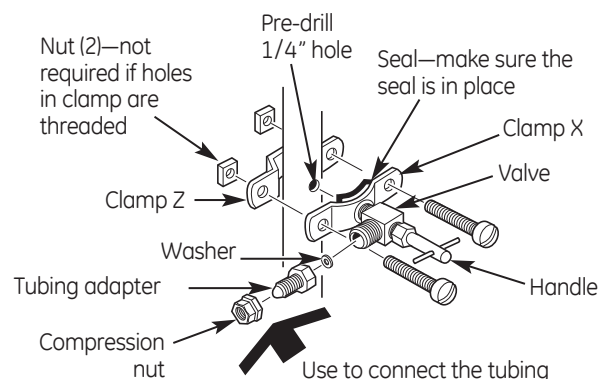
⚠ WARNING: Many homes are electrically grounded through the plumbing. To protect yourself from serious injury or fatal shock, use a battery-powered hand drill only to make the hole. **DO NOT USE AN ELECTRIC DRILL.**

2. Close the water supply valve by turning the handle clockwise.
3. Open the main water supply valve and several house faucets to purge air from the system. Close faucets when water runs smoothly.



Optional water supply connection (using saddle valve)*

***For 1/2" OD or larger metal tubing only.**



Installation Instructions

D. OPTIONAL RIGID PIPE INSTALLATION

For installation with rigid pipe between supply valve and sink faucet.

Option 1

1. Remove pipe from supply valve and sink faucet.
2. Obtain flexible pipe sized to your plumbing.
3. Install flexible pipe.
4. GO back to *B. OPTIONAL INSTALLATION 1* section, step 4.

Option 2

1. Obtain compression fittings to fit rigid pipe.
2. Obtain any other fittings required to connect compression fittings to adapter.

NOTE: Adapter has 1/2" and 3/8" internal and external threads.

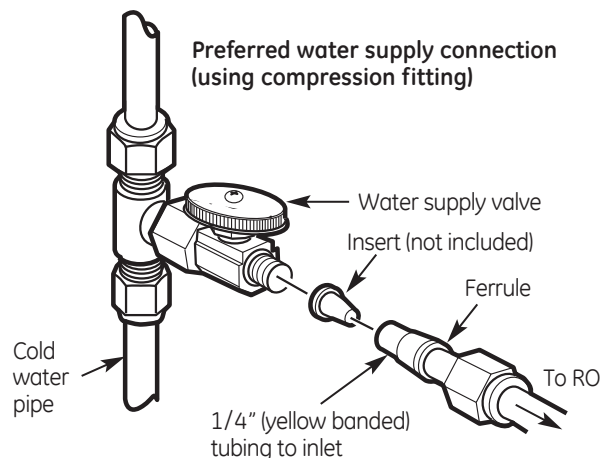
3. Remove pipe from supply valve.
4. Cut pipe to fit length of assembled fittings and adapter.
5. Install compression fitting to pipe.
6. GO back to *B. OPTIONAL INSTALLATION 1* section, step 4.

NOTE: Above described materials are not included with the product.

E. OPTIONAL REMOTE LOCATION INSTALLATION

(requires additional part)

1. Turn off the cold water supply.
2. Complying with plumbing codes, install a fitting on the cold water pipe to adapt 1/4" OD tubing. A typical connection is shown in illustration below. Make sure a water supply valve is used.
3. If the RO unit is to be installed more than 6 feet from the valve, replace the yellow banded inlet tubing with a longer length of GE 1/4" tubing. A 33-foot length of 1/4" tubing is available through GE Parts and Services at 1.800.626.2002, part number WS07X10018. **DO NOT SUBSTITUTE TUBING OF UNKNOWN QUALITY.**
4. If the RO unit is to be installed more than 6 feet from the faucet, replace the blue banded outlet tubing with a longer length of GE 3/8" tubing. A 33-foot length is available through GE Parts and Services at 1.800.626.2002, part number WS07X10019. See **Faucet Mounting Installation** on page 13 for more details. **DO NOT SUBSTITUTE TUBING OF UNKNOWN QUALITY.**



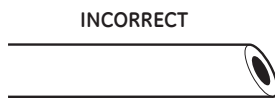
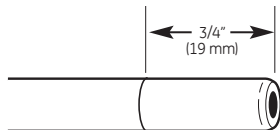
If you are using copper tubing, **DO NOT** connect it directly onto the RO unit. Purchase a connector and use a short length of the yellow banded tubing provided to make final connection to RO. Do not use copper tubing to attach to icemaker or faucet.

Installation Instructions

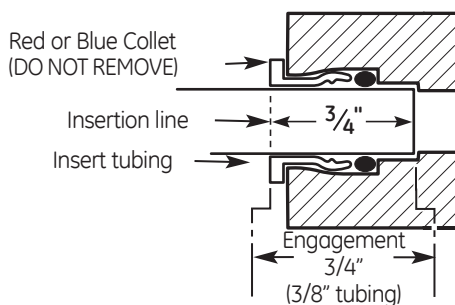
FEED WATER SUPPLY (cont.)

INSTALLING THE TUBING TO TANK AND FAUCET

1. Measure 3/4" from the end of each remaining piece of tubing (faucet end and inlet end) and mark with a pencil. (Check for roundness, smoothness, cuts, nicks, flat spots and sharp edges).



2. Push the tubing firmly into each fitting on the manifold until the line is flush with the fitting collar. (If the tubing is removed, re-cut the end, measure, mark and re-insert). Tubing must be fully inserted to avoid leaks. **To remove tubing: depress and hold red or blue collet; pull tubing out to remove.**



3. Pull out slightly on tubing to ensure a good seal.

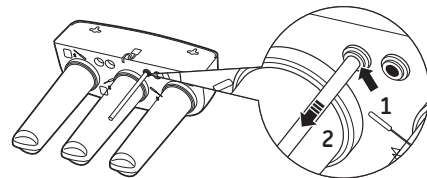
FLOW RESTRICTOR REPLACEMENT PROCEDURE

Each time the Reverse Osmosis cartridge is changed, you will need to replace the flow restrictor in the drain line as well.

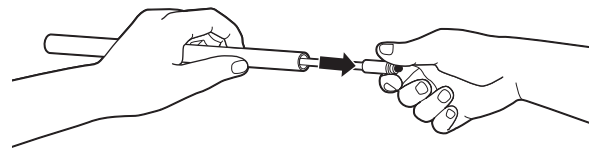
Be sure to wash your hands before handling inner parts of the system.

FLOW RESTRICTOR REPLACEMENT PROCEDURE (cont.)

1. Remove drain line tubing by pushing up on the drain line collet with one hand (1) and removing the drain line with the other hand (2).

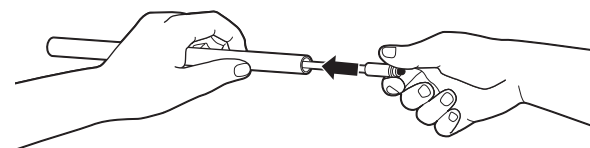


2. Once the drain line has been removed from the system base, grasp the end of the flow restrictor and pull it straight out from the tube*. If the restrictor is difficult to remove by hand, a pair of pliers may be used to grip the end of the restrictor to aid in removal from the tubing.

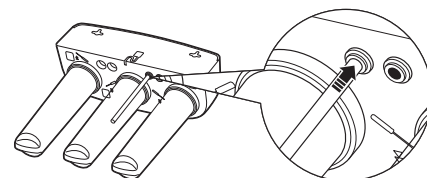


*In some instances, the restrictor may slide out of the drain tubing as it is removed from the drain line port. If, after removing the drain line as described in step 1, the restrictor is no longer in the end of the tubing, check the drain line port. Remove the restrictor from the port and proceed to step 3.

3. Take new restrictor and slide it back into the drain tubing. Insert the restrictor by hand only. Do not use pliers to insert. Make sure to insert restrictor all the way into the tubing. Failure to do so could result in improper operation of the RO system.



4. Reinsert drain line tubing in system base. Tug lightly on the tubing to ensure that the collet is engaged and has a proper grip on the tubing.



Installation Instructions

FAUCET ASSEMBLY

INSTALL THE FAUCET

Be sure there is room underneath and above the sink to make the needed connections. Before starting, make sure there is sufficient room for the faucet base and unit. Select one of the following places to install the faucet:

- A. In an existing sink spray attachment or soap dispenser hole.
- B. In a hole to be drilled in the sink top.
- C. In a hole to be drilled in the countertop, next to the sink.

NOTES:

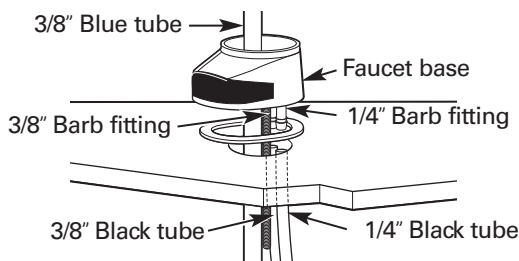
- Be sure the faucet base will fit flat against the surface at the selected location so the bottom gasket between the base and surface area will seal.
- Make sure to leave enough clearance at the back of the faucet in case you need to remove it.

Installation Steps (refer to illustration below for clarification)

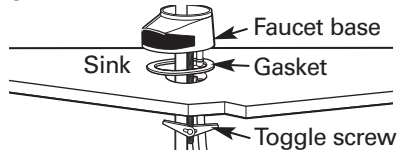
1. If drilling is needed, make a 1½" diameter hole. **Be sure to use the proper procedure for drilling porcelain or stainless steel. Special drill bits may be needed. Consult a qualified plumber for the proper procedure.**

NOTE: When drilling in stainless steel, the edges may be sharp and could puncture the tube. Be careful to not cut yourself or damage the tube.

2. Remove the faucet body and base by turning the base counterclockwise.
3. Push the 1/4" black tube and the 3/8" black tube onto the correct barb fittings on the faucet base. Push the 3/8" blue tube through the base.

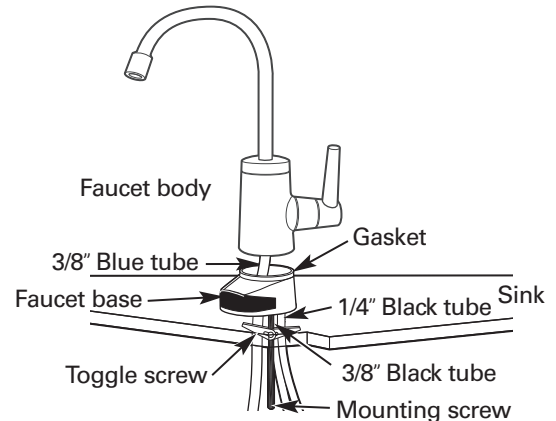


4. Align the gasket to cover the hole completely. Then place the toggle screw on the base into the hole.



INSTALL THE FAUCET (CONT.)

5. Tighten the toggle screw until the base is firmly in place and does not wobble or turn.
6. Push the 3/8" blue tube up to connect it to the fitting on the bottom of the faucet body. It should go in about 3/4". Pull tube slightly to make sure it is secure.

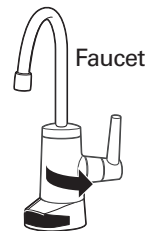


7. Push the faucet body down into the faucet base and turn the faucet 1/8 of a turn counterclockwise until it stops into place.

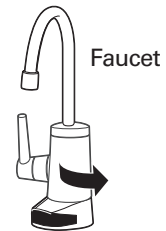
NOTE: You can install the faucet so the handle is on the right or the left side.

If you want the faucet handle on the right, position the handle on the front-right side of the base before turning 1/8 of a turn counterclockwise.

If you want the faucet handle on the left, position the handle on the rear-left side of the base before turning 1/8 of a turn counterclockwise.

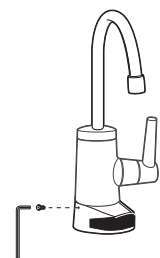


Faucet handle on the RIGHT



Faucet handle on the LEFT

8. Locate the hole at the rear of the base. Insert the set screw and begin to tighten by hand. Finish tightening with the Allen wrench provided in the packet. **DO NOT OVERTIGHTEN.**

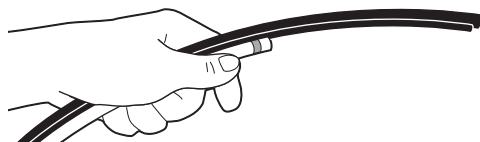


Installation Instructions

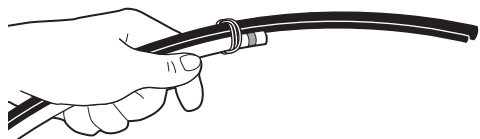
FAUCET ASSEMBLY (cont.)

OPTIONAL ONE-PERSON FAUCET TUBING INSTALLATION

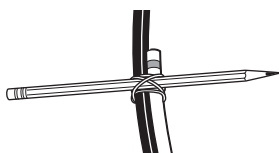
1. From under the sink, gather the 1/4" drain line (black), 3/8" drain line (black) and 3/8" outlet tube (blue banded) in one hand with the drain tubes the same length and the outlet tube offset approximately 6 inches.



2. Wrap a rubber band around all 3 tubes.



3. Insert a typical No. 2 pencil through the rubber band location.

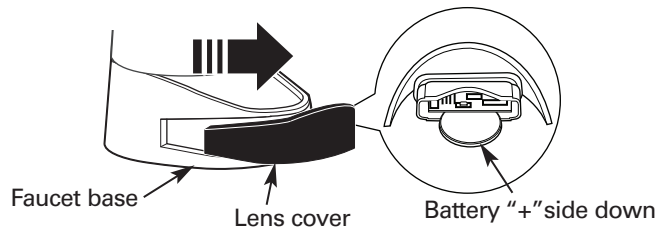


4. Rotate the pencil down until it is in line with the tubing and push up through the mounting hole. Release the grip on the pencil and the tubes will remain in position for easier faucet connection.



INSTALL THE BATTERY

1. Remove the lens cover from the faucet base. Grip it from both sides and pull forward.
2. Install one CR2032 3V battery with the "+" side DOWN into the battery tray. Slide the battery tray completely back into the base.



3. Each light will illuminate in sequence twice. The OK (green) light or Filter (amber) light may stay on for a few extra seconds. If you want to reinitiate the start-up sequence, remove the battery for 90 seconds so the electronics can fully reset; then put the battery back in.
4. The OK (green) light will normally flash one time per second when dispensing water. If the system needs service, the Filter or R.O. (amber) lights will flash one time per second while dispensing and will randomly flash when not in use.

NOTE: For lights to change between OK and R.O., the system must detect a change in the filtering process for 25 consecutive seconds. For example, if the system was showing that service was needed, it will take 25 seconds of consecutive filtering for the system to confirm the correct service changes were made.

FOR FILTER CHANGE: Replace the battery when changing the filter. Remove the used battery and wait 90 seconds before installing the new battery to ensure the proper electronics are reset for the next 6 months.

Installation Instructions

FILTRATION DRAIN CONNECTION

Check and comply with local plumbing codes as you plan.

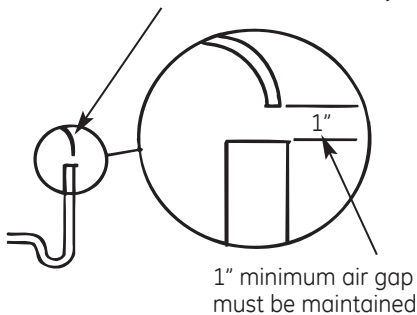
⚠ CAUTION: The options detailed below are the **ONLY** approved installation configurations. Do not use any drain saddle device.

NOTE: Failure to follow these Installation Instructions will void the warranty, and the installer will be responsible for any service, repair or damages caused thereby.

PREFERRED INSTALLATION: OPTION A—BASEMENT ACCESS INSTALLATION

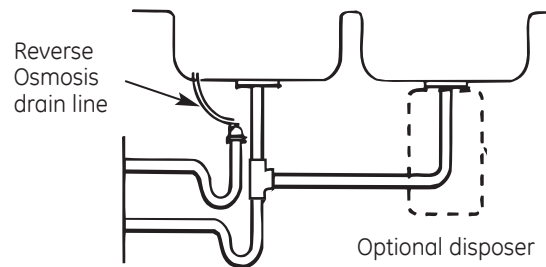
Route the drain line **DIRECTLY** from the Reverse Osmosis system to a standpipe in the basement, bypassing the air gap provided in the faucet. The air gap installation is left to the discretion of the installer. The drain line may also be routed to a floor drain or washtub, provided that the air gap is maintained. Special air gap fittings are available to connect the drain line to the top of the standpipe.

Drain line from the Reverse Osmosis system



PREFERRED INSTALLATION: OPTION B—DRY-VENTED P-TRAP INSTALLATION

Install a separate dry-vented p-trap under the sink to be used exclusively for the Reverse Osmosis drain line. A dry-vented p-trap is a p-trap that has its own vent/stack. Attach the drain line adapter to the p-trap and secure it with the slip joint nut and washer as shown. The drain line **MUST** be routed through the air gap provided in the RO water faucet.



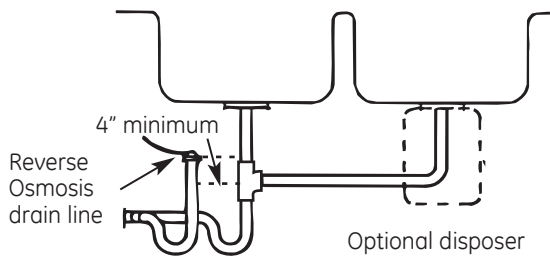
Installation Instructions

FILTRATION DRAIN CONNECTION (cont.)

PREFERRED INSTALLATION: OPTION C—WET-VENTED P-TRAP INSTALLATION

Install a p-trap under the sink to be used exclusively for the Reverse Osmosis drain line.

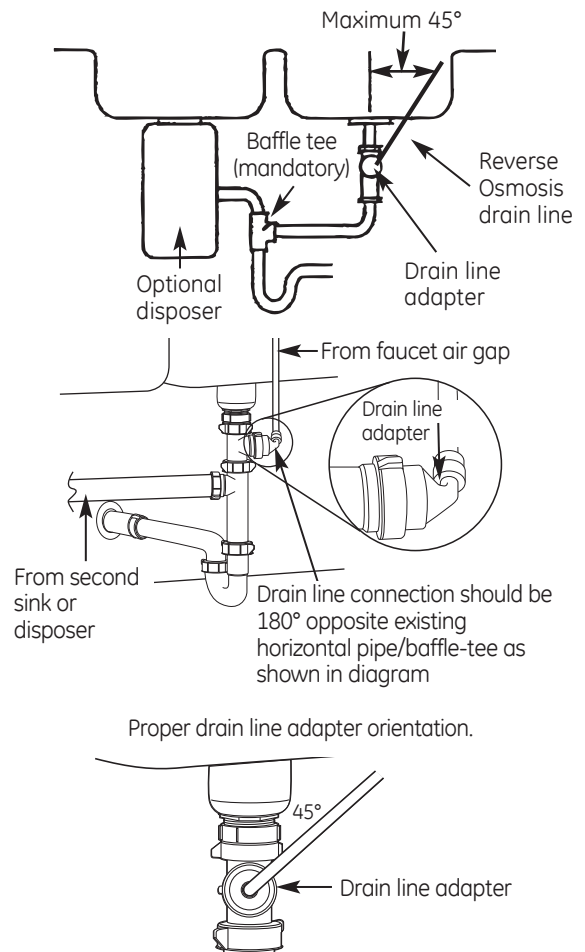
A wet-vented p-trap is a p-trap that shares a common vent/stack. Attach the drain line adapter to the p-trap and secure it with the slip joint nut and washer as shown. The drain line MUST be routed through the air gap provided in the RO water faucet. Locate the Reverse Osmosis p-trap as high as possible (minimum of 4" above horizontal).



SECONDARY INSTALLATION: OPTION D—DRAIN LINE ADAPTER INSTALLATION

⚠ CAUTION: Using Option D may result in clogging under adverse conditions and requires periodic inspection/cleaning by the user.

DO NOT INSTALL THE DRAIN LINE DOWNSTREAM OF A DISPOSER OR IN A HORIZONTAL PIPE. Install the drain line adapter under the sink as shown (parts included). The baffle tee shown must be installed to prevent a clog in the Reverse Osmosis drain line. Route the drain line from the air gap to the drain line adapter, ensuring that there are no dips, loops or low spots in the line. The drain line adapter should be aligned vertically so that the hose connection points upward (the hose connection should never be allowed to drop below 45° from this vertical position). This installation MAY result in a slight drain noise in the sink drain when the Reverse Osmosis system is regenerating. If this happens, simply place the sink drain stoppers in the strainer to suppress it.

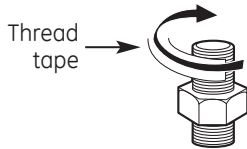


Installation Instructions

STORAGE TANK AND STARTUP

STORAGE TANK INSTALLATION

1. Remove the protective cap from the top of the tank.
2. Apply 2-3 wraps of thread tape, in a clockwise direction, to the tank threads.
3. Install the push-to-connect fittings on the threaded fitting on the tank as shown.



4. Push the 3/8" red banded tubing from the Reverse Osmosis System into the fitting on the storage tank.

SYSTEM STARTUP PROCEDURE

IMPORTANT – If installing the unit in new construction, ensure that house plumbing is flushed thoroughly before opening the water supply valve.

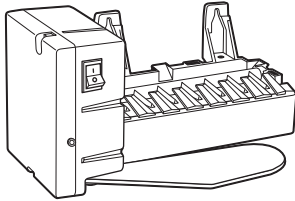
1. Check that all tubing connections are secure.
2. Turn on the Feed Water Supply Valve.
3. Check all connection points for leaks.
4. Follow the **Sanitization** procedures on page 19.
5. After sanitization is complete, reinstall prefilter, postfilter and Reverse Osmosis cartridges.
6. Membrane contains a food grade preservative. Allow the system to fill the tank, then drain it completely four times before using the water from the system.
7. Recheck all water connection points a few days later to check for small leaks.

Prefilter, Postfilter and Reverse Osmosis Membrane Cartridge Replacement Procedure

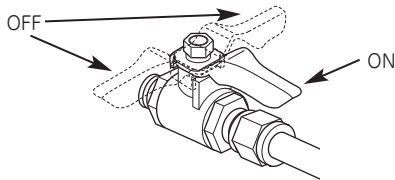
When the blue light in the faucet base flashes, it is time to replace the prefilter and postfilter. This will occur every 6 months.

Be sure to wash your hands before handling inner parts of the system.

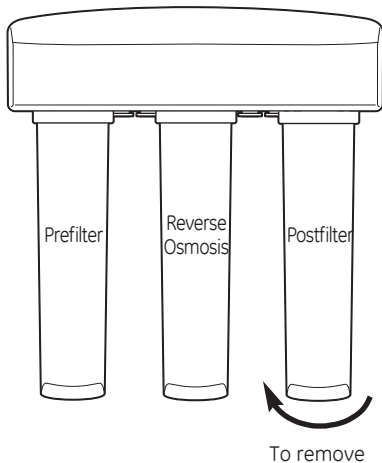
1. Turn OFF the icemaker (if attached to the system).



2. Turn off water supply to the system.



3. Turn ON faucet to drain tank (may take several minutes). Turn OFF faucet when tank is empty.
4. Remove the prefilter, postfilter and Reverse Osmosis cartridge by rotating to the left about 1/3 turn.

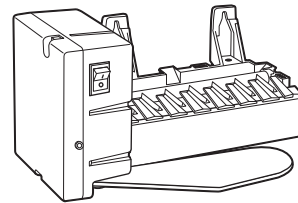


5. Follow Sanitizing the *Reverse Osmosis System* procedure found on page 20.

6. Remove foil on top of new replacement cartridges. Install new cartridges into the manifold by turning to the right about 1/3 turn until the alignment marks line up and the cartridges stop. **DO NOT OVERTIGHTEN.** The cartridges will rise up as they are turned.

NOTE: The prefilter and postfilter are identical. You may install either filter in the prefilter or postfilter position. The reverse osmosis cartridge is installed in the center position.

7. Turn ON water supply to fill the system (may take up to four hours). Check for leaks.
8. Remove the battery tray and replace the battery, positive "+" side up, to reset timer and monitor function in faucet base (see *Battery Installation* for proper procedure).
9. If only the prefilter and postfilter are replaced, turn the faucet ON and fill and empty the storage tank two (2) times. If the membrane cartridge is replaced, fill and empty the storage tank a total of four (4) times. (This will remove the food-grade preservatives contained in new membranes. This preservative will give product water an unpleasant taste and odor.)
10. Once the storage tank is full, turn on the icemaker.



NOTE: System should be sanitized when replacing the prefilter and postfilter cartridge or the Reverse Osmosis cartridge. Follow the *Sanitizing the Reverse Osmosis System* procedure on page 20.

Care and cleaning of the reverse osmosis system.

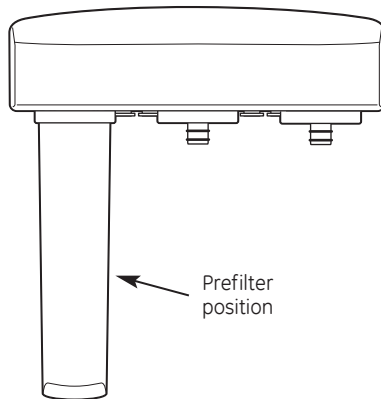
Sanitizing the Reverse Osmosis System

Sanitize upon installation of the Reverse Osmosis system and after servicing inner parts, including replacement of prefilter, postfilter and the membrane cartridge.

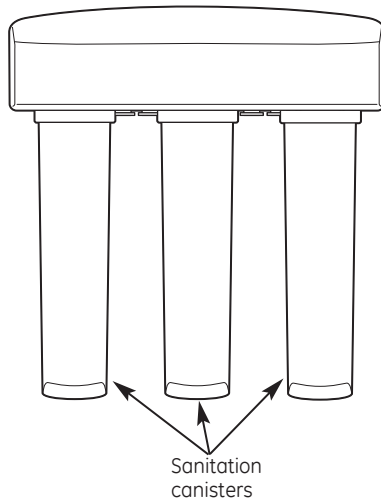
Be sure to wash your hands before handling inner parts of the system.

IMPORTANT —Before sanitizing, be sure to remove all cartridges. Chlorine will destroy the Reverse Osmosis membrane cartridge.

1. Follow steps 1 through 4 under *Prefilter, Postfilter and Reverse Osmosis Membrane Cartridge Replacement Procedure*.
2. Fill the empty canister labeled “Sanitization Canister” with water to within 1 inch of the upper opening. Add 1 oz. (2 Tbsp.) ordinary unscented household bleach. Install canister into the prefilter canister position by turning to the right about 1/3 turn until the alignment marks line up and the canister stops.



3. Install the two additional “sanitization canisters” into the membrane canister and postfilter openings in the manifold by turning to the right about 1/3 turn until the alignment marks line up and the canister stops.



4. Turn ON water supply. Turn ON faucet until water begins to flow from the faucet, then turn faucet OFF. Allow system to fill for 10 minutes.
5. Turn faucet ON and allow water to flow for 20 minutes, or until bleach odor is gone. Turn OFF water supply again. Turn ON faucet to drain the system.
6. Once the system is drained, turn the faucet OFF and remove the canisters by turning to the left about 1/3 turn. Keep these in a safe place until needed the next time.

To obtain replacement filters, call toll-free GE Appliance Parts at 800.626.2002 (U.S.), 800.663.6060 (Canada-English), 800.361.3869 (Canada-French), or visit the store where you purchased your reverse osmosis system.

Prefilter/Postfilter Cartridge Replacement FQROPF	Carbon Block
Reverse Osmosis Cartridge Replacement FQROMF	Thin Film Polyamide

⚠ WARNING: To reduce the risk of physical injury:
Depressurize system as shown in manual prior to cartridge removal.

The Water Test Kit

To obtain an independent laboratory water test kit, please call Legend Technical Services at 1.800.826.8553 ext. 47 and leave your contact details. They will contact you to find out what water tests you are interested in, and inform you of the cost of the testing. You will then receive a kit that will include all necessary tests to properly indicate the performance level of your system. Product water should be tested a minimum of every six months.

NOTE: When the TDS reduction of the system falls below 75%, it is time to replace the reverse osmosis cartridge in addition to the prefilter and postfilter.

Before you call for service...



Troubleshooting Tips
Save time and money! Review the charts on the following pages first and you may not need to call for service.

<i>Problem</i>	<i>Possible Causes</i>	<i>What To Do</i>
<i>Water has air bubbles and is cloudy</i>	<i>Air in system after installation.</i>	<ul style="list-style-type: none"> • Will go away after it runs for a while.
<i>Indicator light on faucet base not working</i>	<i>Batteries installed incorrectly or expended.</i>	<ul style="list-style-type: none"> • Observe orientation on page 14 and install correctly. Replace batteries if old.
	<i>Blue light does not illuminate until 6 months.</i>	<ul style="list-style-type: none"> • Normal operation.
	<i>Batteries are dead.</i>	<ul style="list-style-type: none"> • Use new CR2032, 3-volt battery.
<i>Chlorine taste and/or odor in the Reverse Osmosis product water</i>	<i>The ppm of chlorine in your water supply exceeds maximum limits and has destroyed the Reverse Osmosis membrane.</i>	<ul style="list-style-type: none"> • If the water supply contains more than 2.0 ppm of chlorine, additional filtering of the water supply to the Reverse Osmosis is needed. Correct this condition before doing maintenance on the Reverse Osmosis system.
	<i>The prefilter is no longer reducing chlorine from the water supply.</i>	<ul style="list-style-type: none"> • Replace the Reverse Osmosis membrane cartridge, flow control, screen, prefilter, postfilter and batteries in the electronics box.
<i>Other taste and/or odor</i>	<i>High quality product water may have a different taste than what you're used to.</i>	<ul style="list-style-type: none"> • This is normal.
	<i>Low water usage.</i>	<ul style="list-style-type: none"> • Completely drain system and allow to refill.
	<i>Contamination in product water storage.</i>	<ul style="list-style-type: none"> • Use sanitizing procedures.
	<i>Prefilter and postfilter need to be changed.</i>	<ul style="list-style-type: none"> • Replace the prefilter and postfilter. • Sanitize system.
<i>Water leaking from faucet air gap hole</i>	<i>Drain side of faucet air gap (3/8" tubing) plugged, restricted or incorrectly connected to the drain.</i>	<ul style="list-style-type: none"> • Inspect and eliminate restriction or plug. It is important that there are no dips, loops or low spots in the drain line from the faucet air gap to the drain pipe. Refer to Installation Instructions for proper drain connection. If drain line adapter was used as the drain point, periodic inspection/cleaning is recommended.
<i>System makes product water slowly</i>	<i>This is normal.</i>	<ul style="list-style-type: none"> • Water flow rate will be lower than your regular faucet. • It takes 3-4 hours to fill the tank.
	<i>Water supply to the Reverse Osmosis system not within specifications.</i>	<ul style="list-style-type: none"> • Increase water pressure, precondition the water, etc., as needed to conform before doing maintenance on the Reverse Osmosis system.
	<i>Prefilter cartridge plugged with sediments.</i>	<ul style="list-style-type: none"> • Replace the prefilter. If rate does not increase, replace the postfilter, Reverse Osmosis membrane cartridge, flow control and batteries in the faucet base.
	<i>Reverse Osmosis membrane plugged with sediments.</i>	<ul style="list-style-type: none"> • Replace Reverse Osmosis membrane cartridge, flow control and battery in the faucet base.



Troubleshooting Tips

<i>Problem</i>	<i>Possible Causes</i>	<i>What To Do</i>
<i>No Water</i>	Water supply valve not turned on.	<ul style="list-style-type: none"> • Turn water supply valve on. See diagram on page 11.
	After filter change, tank is empty.	<ul style="list-style-type: none"> • It takes 3–4 hours for RO system to provide enough water to fill the tank.
<i>Leaks at fittings</i>	Improperly installed.	<ul style="list-style-type: none"> • Reinstall. See Installation Instructions.
<i>Sounds you may hear</i>	Sink drain, drain water from system.	<ul style="list-style-type: none"> • This is normal. • Drain line can be installed to an alternative drain, such as a basement drain. See pages 16 and 17 for alternative drain configurations.
	Faucet air gap—drain water flowing through the faucet air gap. This may be associated with high pressure water supply, generally 80 psi or greater.	<ul style="list-style-type: none"> • Install a pressure regulator in the house water supply system to reduce the pressure below 80 psi. • An alternative flow restrictor for high pressure installations is available from GE (see item #31 on the parts list, page 25). Contact GE Parts and ask for Flow Restrictor, High Pressure, Part Number WS15X10049.

Safety Instructions

Operating Instructions

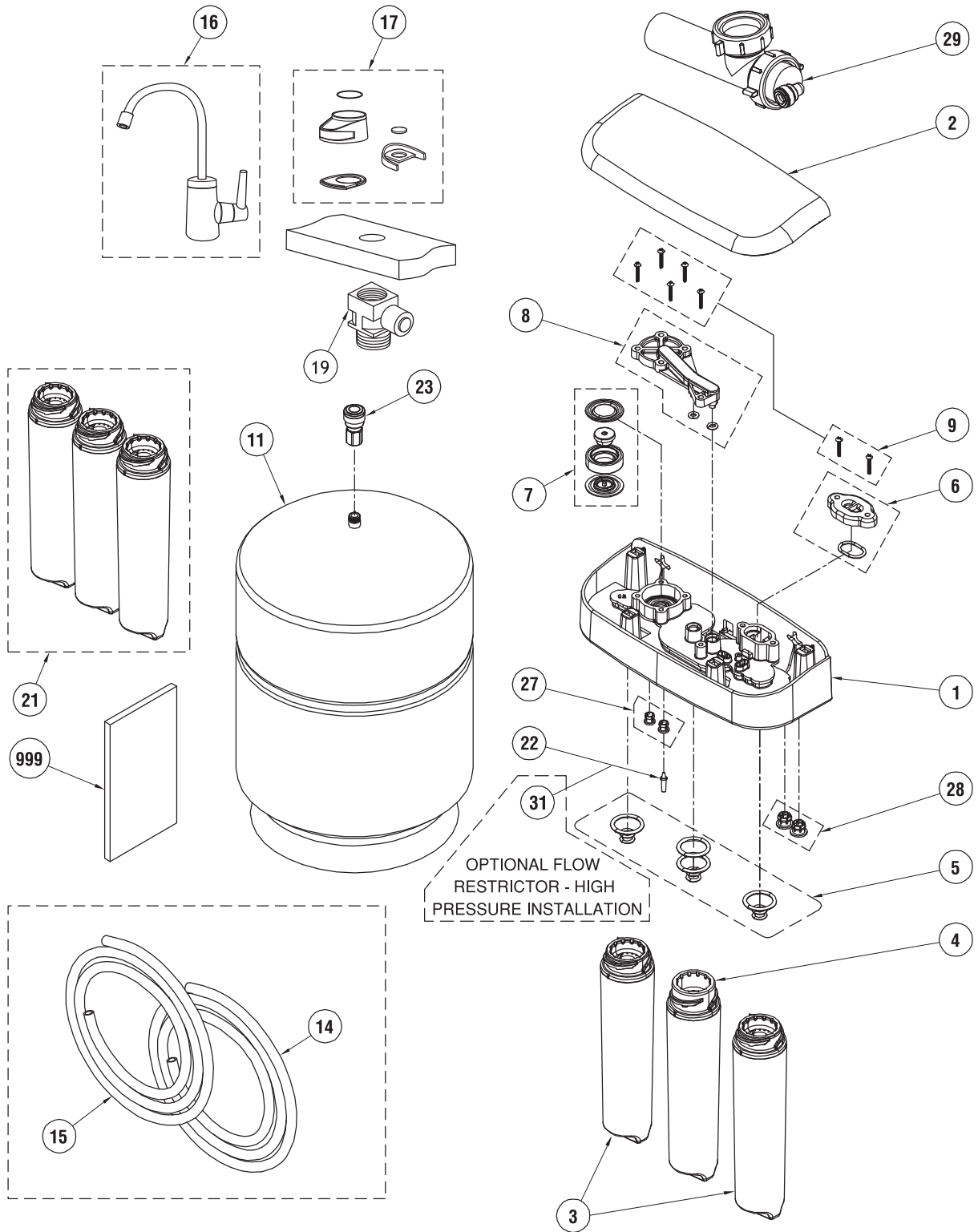
Installation Instructions

Troubleshooting Tips

Consumer Support

Parts list.

PXRQ15RBL and PNRQ15RBL



OPTIONAL PARTS FOR
REMOTE INSTALLATION

REF. NO.	GE PART NO.	PART DESCRIPTION 1	QUANTITY	
			P X R Q 1 5 R B R	P N R Q 1 5 R B L
0001	WS19X10017	MANIFOLD ASSEMBLY	1	1
0002	WS19X10018	HOOD	1	1
0003	FQROPF	PRE AND POSTFILTER SET	1	1
0004	FQROMF	RO CARTRIDGE	1	1
0005	WS03X10047	O-RING KIT (4 LG, 6 SM)	1	1
0006	WS03X10048	FLOW METER CAP & O-RING	1	1
0007	WS15X10050	SHUT-OFF VALVE ASSEMBLY	1	1
0008	WS10X10030	SHUT-OFF COVER & CHECK BALL ASSEMBLY	1	1
0009	WS02X10034	SCREWS, SET OF 7	1	1
0011	WS32X10021	WATER STORAGE TANK	1	1
0014	WS07X10018	TUBING, 1/4" DIA. X 33"—WHITE	1	1
0015	WS07X10019	TUBING, 3/8" DIA. X 33"—WHITE	1	1
0016	WS15X10076	FAUCET SPOUT, CHROME	1	1
0017	WS10X10045	FAUCET BASE, CHROME	1	1
0019	WS60X10016	INLET ADAPTER—NO VALVE	1	1
0021	WS35X10041	SANITIZATION KIT	1	1
0022	WS15X10041	FLOW RESTRICTOR	1	1
0023	WS22X10055	TANK CONNECTOR, 3/8" TUBE	1	1
0024	WS22X10054	FAUCET FITTING, 3/8" TUBE	1	1
0027	WS22X10052	COLLET, 1/4" (SET OF 2)	1	1
0028	WS22X10053	COLLET, 3/8" (SET OF 2)	1	1
0029	WS18X10006	DRAIN LINE ADAPTER	1	1
0031	WS15X10049	FLOW RESTRICTOR, HIGH-PRESSURE	-	-
0999	49-50261-1	OWNER'S MANUAL & INSTALLATION INSTRUCTIONS	1	1

GE Reverse Osmosis System Warranty.



All warranty service provided by our SmartWater™ Authorized Servicer Network. To schedule service, call us toll-free at 800.GE.CARES (U.S.) or 866.777.7627 (Canada). Please have serial number and model number available when calling for service.

Staple your receipt here.
Proof of the original purchase date is needed to obtain service under the warranty.

For The Period Of: **GE Will Replace:**

One Year

From the date of the original purchase

Any part of the Reverse Osmosis Filtration System which fails due to a defect in materials or workmanship. During this **limited one-year warranty**, GE will also provide, **free of charge**, all labor and related service to replace the defective part.

What GE Will Not Cover:

- Service trips to your home to teach you how to use the product.
- Improper installation, delivery or maintenance.
- Failure of the product if it is abused, misused, used for other than the intended purpose or used commercially.
- Use of this product where water is microbiologically unsafe or of unknown quality, without adequate disinfection. Systems certified for cyst reduction may be used on disinfected water that may contain filterable cysts.
- Filter cartridges, membrane cartridges and batteries after 30 days from date of purchase.
- Damage to the product caused by accident, fire, floods or acts of God.
- Incidental or consequential damage caused by possible defects with this appliance.

EXCLUSION OF IMPLIED WARRANTIES—Your sole and exclusive remedy is product repair as provided in this Limited Warranty. Any implied warranties, including the implied warranties of merchantability or fitness for a particular purpose, are limited to one year or the shortest period allowed by law.

This warranty is extended to the original purchaser and any succeeding owner for products purchased for home use within the USA. If the product is located in an area where service by a GE Authorized Servicer is not available, you may be responsible for a trip charge or you may be required to bring the product to an Authorized GE Service location for service. In Alaska, the warranty excludes the cost of shipping or service calls to your home.

Some states do not allow the exclusion or limitation of incidental or consequential damages. This warranty gives you specific legal rights, and you may also have other rights which vary from state to state. To know what your legal rights are, consult your local or state consumer affairs office or your state's Attorney General.

Warrantor: General Electric Company. Louisville, KY 40225

La section Française.

Mesures de sécurité

Mesures de sécurité28, 29
Guide des spécifications30

Fonctionnement

Au sujet du système de filtration par osmose inversée31, 32

Instructions d'installation

Outillage et matériel requis33
Avant de commencer l'installation33, 34
Installation du système de montage35
Alimentation d'eau36-39
Installation du robinet40
Installation de la pile41
Raccordements à la conduite de vidange42, 43
Réservoir de stockage et démarrage44

Entretien et nettoyage

Remplacement des cartouches pré-filtre, post-filtre et osmose inversée45
Aseptisation46
Trousse pour le test d'eau47

Conseils de dépannage48, 49

Soutien au consommateur

Garantie53
Liste des pièces/catalogue50, 51
Soutien au consommateur54



PXRQ15R et PNRQ15RBL sont testés et homologués conformément aux normes 58 et 42 de la NSF/ANSI et B483.1 de la CSA pour la réduction des réclamations comme spécifique dans la Fiche technique d'exécution.

Transcrivez les numéros de modèle et de série ici :

de modèle _____

de série _____

Vous les trouverez sur le support du corps de filtre.

Mesures de sécurité

Fonctionnement

Installation

Conseils de dépannage

Soutien au consommateur

MESURES DE SÉCURITÉ IMPORTANTES.




LISEZ D'ABORD TOUTES LES INSTRUCTIONS.

CONSIGNES DE SÉCURITÉ

Lisez attentivement et observez toutes les consignes de sécurité présentées dans ces instructions avant de procéder à l'installation et à l'utilisation des systèmes à osmose inverse GE. Gardez ces instructions à titre de référence ultérieure.

Usage prévu :

Les systèmes à osmose inverse GE conviennent à l'emploi dans la filtration de l'eau potable dans les applications résidentielles et n'ont pas été évalués pour d'autres emplois. Le système est généralement installé au point d'emploi et doit être installé comme spécifié dans les instructions d'installation. Contactez un plombier en cas de doute sur le mode d'installation.

	Ceci est le symbole d'alerte à la sécurité. Il permet de vous avertir des risques de blessures potentielles. Respectez tous les messages de sécurité accompagnant ce symbole pour éviter des blessures, voire la mort.
 AVERTISSEMENT	AVERTISSEMENT indique une situation potentiellement dangereuse qui, si elle n'est pas évitée, peut entraîner la mort ou des blessures graves.
 ATTENTION	ATTENTION indique une situation potentiellement dangereuse qui, si elle n'est pas évitée, peut entraîner des blessures légères à modérées.
ATTENTION	ATTENTION utilisé dans le symbole d'alerte à la sécurité indique une situation potentiellement dangereuse qui, si elle n'est pas évitée, peut entraîner des dommages matériels.



PRÉCAUTIONS DE SÉCURITÉ

- Assurez-vous que l'eau est conforme au *Guide des spécifications*. Si les conditions de l'eau ne sont pas connues, contactez votre compagnie municipale de fourniture d'eau ou votre service de santé local pour obtenir une liste des agents de contamination de votre région et une liste des laboratoires homologués par votre état pour l'analyse de l'eau de table.

AVERTISSEMENT Pour réduire le risque associé à la suffocation :

- Ne laissez pas les enfants de moins de 3 ans accéder aux petites pièces pendant l'installation de ce produit.

AVERTISSEMENT Pour réduire le risque associé à l'ingestion de contaminants :

- N'utilisez pas ce produit avec de l'eau qui est dangereuse sur le plan microbiologique ou de qualité inconnue sans désinfection suffisante en amont et en aval du système. Les systèmes certifiés pour la réduction des kystes peuvent être utilisés sur les eaux désinfectées qui peuvent contenir des kystes filtrables. EPA Est. No 10350-MN-005.

AVERTISSEMENT Pour réduire le risque associé aux tensions dangereuses causées par un installateur perçant du câblage électrique existant ou des conduites d'eau dans la zone de l'installation :

- N'installez pas à proximité de câblage électrique ou de conduit qui peuvent être sur le chemin d'une perceuse lors de la sélection de la position pour monter le support de filtre.

AVERTISSEMENT Pour réduire le risque de blessure :

- Dépressurisez le système comme illustré dans le manuel avant de déposer la cartouche.

AVERTISSEMENT Pour réduire le risque de blessure suite à la rupture du réservoir hydropneumatique :

- N'installez pas le produit si la pression d'eau dépasse 827 kPa. Si la pression d'eau dépasse 552 kPa, vous devez installer un limiteur de pression. Contactez un plombier en cas de doute sur la vérification de la pression d'eau.
- N'installez pas le produit si des conditions de coup de bélier peuvent être présentes. Si des conditions de coup de bélier existent, vous devez installer un antibélier. Contactez un plombier en cas de doute sur la vérification de cette condition.
- Si un dispositif de non-retour est installé sur un circuit d'eau, un dispositif de contrôle de la pression par expansion thermique doit être installé.

AVERTISSEMENT Pour réduire le risque associé à l'irritation par le métabisulfite de sodium pendant l'installation :

- Le métabisulfite de sodium (CAS 007681-67-4) est utilisé dans une solution de préservatif à 1% dans la membrane d'osmose inverse.
- Ne mettez pas ce système en service avant que le réservoir d'osmose inverse soit rincé comme spécifié dans les instructions d'installation. Portez une protection oculaire et du visage pendant l'installation.
- Pour demander une fiche signalétique concernant ce produit, appelez le 203-238-8965 ou rendez-vous sur le web à http://solutions.3m.com/wps/portal/3m/en_us/msds (cliquez sur MSDS search). Pour les urgences, appelez le 800-364-3577 ou le 651-737-6501 (24 heures).

AVERTISSEMENT Pour réduire le risque associé à l'ingestion d'eau contaminée par du désinfectant :

- Une fois l'installation effectuée, le désinfectant DOIT être éliminé du système avant la première utilisation comme indiqué dans les instructions d'installation.

Ce système a été testé pour le traitement de l'eau contenant de l'arsenic pentavalent (aussi appelé As(V), As(+5) ou arséniate) à une concentration de 0,050 mg/L ou moins. Ce système réduit l'arsenic pentavalent, mais peut ne pas retirer d'autres formes d'arsenic. Ce système doit être utilisé dans les alimentations en eau contenant du chlore libre résiduel détectable ou dans les alimentations en eau qui se sont avérées contenir seulement de l'arsenic pentavalent. Le traitement à la chloramine (chlore combiné) n'est pas suffisant pour assurer la conversion complète de l'arsenic trivalent en arsenic pentavalent. Veuillez lire la section Faits sur l'arsenic de la fiche technique de performance pour des renseignements supplémentaires.

Ce système d'osmose inversée contient un élément remplaçable essentiel à l'efficacité du système. L'élément d'osmose inversée ne peut être remplacé que par un élément ayant les mêmes caractéristiques, telles que définies par le fabricant, pour assurer la même efficacité et le même rendement en matière de réduction des contaminants.



INSTALLATION ET ENTRETIEN DU SYSTÈME

Avant son utilisation, le système de filtration doit être correctement installé et positionné conformément aux instructions d'installation.

■ Période prolongée de non-utilisation du système de filtration.

Si le système n'a pas été utilisé au cours d'une période d'une semaine ou plus, ouvrez le robinet d'eau RO pour permettre la vidange de celui-ci. Fermez le robinet pour permettre au système de régénérer l'alimentation en eau.

- L'installation recommandée est sous l'évier. Toutefois, l'unité peut être installée dans un lieu éloigné, jusqu'à une distance de 6 m (20 pi) de l'évier.
 - Cependant, des matériaux supplémentaires seront nécessaires, en particulier des tuyaux supplémentaires et un câble de rallonge de téléphone. Ce câble de rallonge de téléphone doit être du type 6 fils conducteurs et contacts; le câble ordinaire de 4 fils conducteurs ne fonctionnera pas. Consultez la liste de pièces pour commander les matériaux supplémentaires chez GE.
 - Si vous placez le réservoir sur un plancher de sous-sol, avec le robinet à l'évier du premier étage, vous pouvez obtenir une réduction du taux de débit et de la capacité (d'environ 20 %). Vous améliorerez ce rendement en installant un deuxième réservoir. Vous pouvez utiliser le RVKIT.
- Si le système de filtration par osmose inversée est raccordé à la machine à glaçons du réfrigérateur, un kit spécial pour la connexion de la machine à glaçons est nécessaire (RVKIT). N'utilisez pas de tubes en cuivre pour la connexion entre le système de filtration par osmose inversée et le réfrigérateur.
- Désinfectez les éléments au cours de l'installation et après l'entretien des composants internes. Ceci inclut le remplacement de l'élément de pré-filtrage, l'élément du post-filtrage et de la cartouche de l'appareil. Il est important que les mains soient propres lors de la manipulation des éléments internes du système. Voyez la section *Désinfection du système de filtration par osmose inversée*.
- Ce système d'osmose inversée contient un élément de traitement remplaçable essentiel pour réduire efficacement les solides totaux dissous. Vous devez tester périodiquement ce produit dans l'eau pour vous assurer que le système fonctionne bien. Consultez la section *Trousse de test d'eau*.

ASSUREZ-VOUS QUE VOUS SUIVEZ TOUTS DE VOS CODES D'ÉTAT ET LOCAUX.

ATTENTION : Pour réduire le risque associé aux dommages matériels par des fuites d'eau :

- Lisez et respectez ces instructions avant l'installation et l'utilisation de ce système.
- L'installation et l'utilisation **DOIVENT** être conformes à tous les codes de plomberie en vigueur.
- **Protégez du gel**, retirez la cartouche de filtre lorsque les températures sont supposées tomber en dessous de 4,4°C.
- **N'installez pas** de systèmes dans des zones où les températures ambiantes peuvent monter au-dessus de 43,3°C
- **N'installez pas sur des conduites d'alimentation d'eau chaude**. La température maximum d'eau d'exploitation de ce système de filtre est de 37,8°C.

- **N'installez pas** le produit si la pression d'eau dépasse 827 kPa. Si la pression d'eau dépasse 552 kPa, vous devez installer un limiteur de pression. Contactez un plombier en cas de doute sur la vérification de la pression d'eau.
- **N'installez pas** le produit si des conditions de coup de bélier peuvent être présentes. Si des conditions de coup de bélier existent, vous devez installer un antibélier. Contactez un plombier en cas de doute sur la vérification de cette condition.
- Si un dispositif de non-retour est installé sur un circuit d'eau, un dispositif de contrôle de la pression par expansion thermique doit être installé.

ATTENTION : Pour réduire le risque associé aux dommages matériels par des fuites d'eau :

- **N'utilisez pas** de chalumeau ni toute autre source de haute température près du système de filtre, des cartouches, des raccords en plastique ou de la plomberie en plastique.
- Sur les raccords en plastique, n'utilisez jamais de produit d'étanchéité de conduit ni de revêtement de tuyau. Utilisez uniquement du ruban de filet PTFE, les propriétés du revêtement de tuyau peuvent détériorer le plastique.
- Procédez avec précaution lors de l'utilisation de pinces ou de clés à tube pour serrer les raccords en plastique, car des dommages peuvent survenir en cas de serrage excessif.
- **N'installez pas** le produit sous la lumière directe du soleil ou en plein air.
- **N'installez pas** à proximité de conduites d'eau qui seraient dans le chemin d'une perceuse lors de la sélection de la position pour monter le support.
- Montez le filtre de manière à l'empêcher d'être coincé par d'autres articles utilisés dans la zone d'installation.
- Assurez-vous que l'emplacement et les attaches supportent le poids du système lorsqu'il est installé et plein d'eau.
- Assurez-vous que tous les tubes et raccords sont fermement assujettis et dépourvus de fuites.
- **N'installez pas** le produit si des viroles (pièces 27 et 28 page 50) manquent. Contactez le 800.626.2002 (É.-U.) ou le 800-663.6060 (Canada – anglais), ou le 800.362-3869 (Canada – Français) si des viroles manquent des raccords pour obtenir des pièces de rechange.
- Remplacez les cartouches jetables préfiltre et postfiltre tous 6 mois, lorsque la capacité nominale est atteinte, ou plus tôt si le débit est réduit de manière appréciable.
- Remplacez la cartouche d'osmose inverse jetable tous les 24 mois ou plus tôt en cas de réduction notable de l'efficacité de filtrage.



VEUILLEZ LIRE ET SUIVRE ATTENTIVEMENT CES MESURES DE SÉCURITÉ.

CONSERVEZ CES INSTRUCTIONS



Produit – hauteur 11 po (28 cm) largeur 10,5 po (26,7 cm) profondeur 4 po (10 cm)

Le système prépare chaque jour une bonne quantité d'eau potable.
Cette quantité dépend principalement des facteurs suivants...

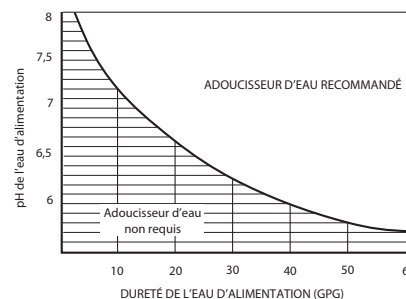
Limites de pression de l'eau d'alimentation—livres par pouce carré (psi)40–120^a

Limites de température de l'eau d'alimentation—minimum/maximum en degrés F40–100

Maximum de solides dissous totaux (TDS)—parts par million (ppm)2000

Maximum de dureté d'eau @ pH 6,9 recommandé pour optimiser la durée de vie de la membrane—grains par gallon (gpg)10

Pour une dureté d'eau supérieure à 10 grains (à un pH de 6,9), nous recommandons d'utiliser un adoucisseur. Si vous n'installez pas un adoucisseur d'eau, vous réduirez la durée de vie de la membrane d'osmose inversée. Consultez le tableau pour de plus amples informations sur le besoin possible d'un adoucisseur d'eau.



Turbidité maximale (NTU)<2

Maximum de fer, de manganèse, d'hydrogène sulfuré (ppm)<0,1

Chlore dans l'approvisionnement d'eau2,0 ppm maximum permissible^b

Limites de pH de l'eau d'alimentation (pH)4–10

Capacité du réservoir—gallons (litres)4 gal (15,1 l)^c

Contrôle automatique d'arrêtoui

Pré-filtre et post-filtre(FQROPF) bloc de carbone

Membrane d'osmose inversée(FQROMF) pellicule fine de polyamide

Dimensions du réservoirhauteur 15 po (38 cm) diamètre 11 po (28 cm)

Dimensions du corpshauteur 11 po (28 cm) largeur 10,5 po (26,7 cm) profondeur 4 po (10 cm)

- Si la pression d'eau de la maison est supérieure à 120 psi, installez un robinet de réduction de pression sur le tuyau d'approvisionnement d'eau. Si la pression de l'eau de la maison est inférieure à 40 psi, installez une pompe de refoulement d'osmose inversée (appelez votre fournisseur local de produits de plomberie).
- Enlevé (maximum de 2,0 ppm) par le filtre d'osmose inversée. **ENTRETIEN RÉGULIER REQUIS.** Le chlore détruira la membrane d'osmose inversée.
- Capacité théorique du réservoir. Quand il est essayé conformément à la norme 58 NSF/ANSI à 50 psig de pression d'approvisionnement d'eau, la capacité du réservoir est égale à 2,3 gallons (8,7 l).

Au sujet du système de filtration par osmose inversée.

Ce que ce système accomplit

L'osmose inverse réduit les matières totales dissoutes et les matières organiques de l'eau en les diffusant au travers d'une membrane spéciale (reportez-vous à la fiche de performance). Cette membrane sépare les matières minérales et les impuretés de l'eau, lesquelles sont évacuées dans le tuyau de vidange. Pour la réduction des prétentions indiquées, consultez la feuilles de données de rendement. L'eau de haute qualité produite est acheminée directement au robinet d'alimentation en eau potable ou au réservoir. L'appareil produit une bonne quantité d'eau potable quotidiennement. La quantité d'eau produite est fonction de la pression d'eau d'alimentation, de sa température et de sa qualité.

Les pré-filtre et post-filtre au charbon sont des cartouches remplaçables. Le pré-filtre élimine le chlore et filtre les sédiments. Le post-filtre élimine les goûts et les odeurs indésirables avant l'utilisation de l'eau.

Ces systèmes comprennent un ensemble de robinet électronique avec rappel de changement de pré-filtre et de post-filtre. Tous les six mois, une lumière clignotante bleue vous rappelle qu'il faut changer les deux filtres.

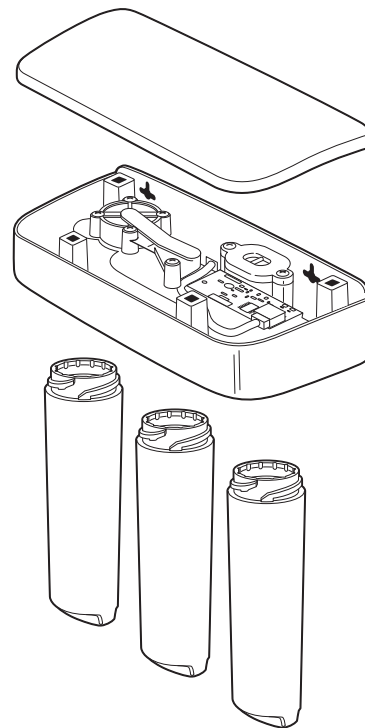
Description du système de filtration par osmose inversée

1 Pré-filtre—L'eau en provenance de la conduite d'eau froide est dirigée dans la cartouche du pré-filtre. Le pré-filtre est une cartouche de récupération des sédiments remplaçable qui contient du charbon actif. Le préfiltre réduit l'odeur et le goût de chlore dans l'eau d'alimentation car le CHLORE DÉTRUIT LA MEMBRANE D'OSMOSE INVERSE. L'eau propre, filtrée et à teneur de chlore réduite s'écoule du pré-filtre vers la cartouche du système.

2 Cartouche du système de filtration par osmose inversée—La cartouche du milieu comprend une membrane étroitement sertiée. L'eau est forcée au travers de la cartouche où la membrane réduit les matières solides dissoutes et les matières organiques. L'eau traitée de haute qualité sort du logement du système et se dirige vers le réservoir. L'eau rejetée contenant les matières solides dissoutes et les déchets organiques quitte le logement puis est déchargée à l'orifice de vidange au passant par la conduite de 1/4 po.

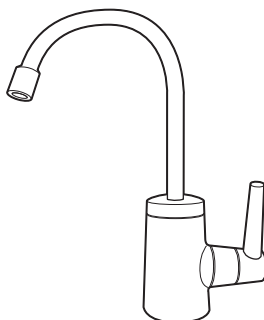
3 Post-filtre—Après avoir quitté le réservoir mais avant d'être acheminée au robinet du système, l'eau produite s'écoule vers le post-filtre se trouvant dans le corps de filtre. Le post-filtre est aussi une cartouche de filtration des sédiments remplaçable contenant du charbon actif. Tout reliquat de goûts, d'odeur ou de sédiments sont éliminés de l'eau par le post-filtre. L'eau potable propre de haute qualité s'écoule par la conduite vers le robinet du système.

4 Réservoir—Le réservoir contient jusqu'à 2,5 gallons (9,5 l) d'eau traitée. À l'intérieur, un diaphragme maintient l'eau sous pression lorsque le réservoir est plein de façon à assurer une débit rapide vers le robinet lorsque l'on désire avoir de l'eau potable.



Au sujet du système de filtration par osmose inversée.

- 5 Clapet anti-retour**—Le clapet empêche le refoulement de l'eau traitée en provenance du réservoir. Un tel refoulement pourrait entraîner la rupture de la membrane du système.
- 6 Robinet d'arrêt automatique**—Dans le but de conserver l'eau, le système de production d'eau potable comporte un robinet d'arrêt automatique. Lorsque le réservoir est plein et que le robinet d'alimentation en eau potable est fermé, la pression ferme l'appareil. Le débit d'eau vers le logement du système de filtration par osmose inversée est interrompu jusqu'à ce que l'eau potable soit à nouveau utilisée et que la pression chute dans le système.
- 7 Régulation de débit**—Le régulateur de débit contrôle le débit de l'eau au travers de la cartouche du système de filtration pour obtenir la valeur requise nécessaire à la production d'eau de haute qualité. Il est situé sur le tuyau de vidange de 1/4 po sortant du distributeur.
- 8 Robinet et électronique**—Le robinet du comptoir fait couler de l'eau potable filtrée quand on l'ouvre. Il a un levier manuel de réglage de débits variables. Le robinet reste ouvert quand on ôte sa main du levier, dès que l'eau a commencé à couler. Conformément aux codes de plomberie, un écart anti-retour est construit dans le raccord de renvoi du robinet.



Le robinet électronique comporte une minuterie de six mois pour vous rappeler que vous devez remplacer votre pré-filtre et votre post-filtre. Remplacez les filtres quand la lumière bleue commence à clignoter, pour protéger la membrane d'osmose inversée et préserver le bon fonctionnement du système.

Instructions d'installation

Système de filtration osmose inversée

Modèles PXRQ15R et PNRQ15RBL

Si vous avez des questions, appelez le 1.800.561.3344 ou visitez notre site Web à l'adresse : www.electromenagersge.ca

⚠ AVERTISSEMENT : Lisez en totalité ce manuel. Si vous ne suivez pas toutes ses règles et ses directives, vous pouvez provoquer des blessures corporelles ou des dommages matériels.

- Vérifiez les codes de plomberie auprès des services de travaux publics de votre État/province et/ou de votre collectivité. Vous devez suivre leurs directives pour installer le système de filtration des eaux.

NOTE : Si vous ne vous conformez pas à ces instructions d'installation, vous annulez la garantie du produit, et l'installateur devient responsable de tout service, réparation ou dommage occasionné par le système.

OUTILLAGE ET MATÉRIEL REQUIS POUR L'INSTALLATION

- Perceuse et mèche de perceuse de 1-1/4 po (du type nécessaire) si le montage est requis pour le robinet
- Deux (2) clefs réglables
- Mèche de perceuse de 1/16 po (en option pour les trous de guidage)
- Ruban-mètre
- Tournevis normaux et Phillips
- Couteau
- Si votre canalisation principale d'eau est un tuyau rigide, vous avez besoin d'une bague de compression et peut-être d'autres éléments de plomberie pour terminer l'installation.

IMPORTANT Pour éviter d'endommager l'évier, consultez un plombier ou un installateur qualifié avant de percer les trous. Vous avez peut-être besoin de mèches de perceuse spéciales pour la porcelaine ou l'acier inoxydable.

AVANT DE COMMENCER L'INSTALLATION

Veuillez lire toutes les directives attentivement.

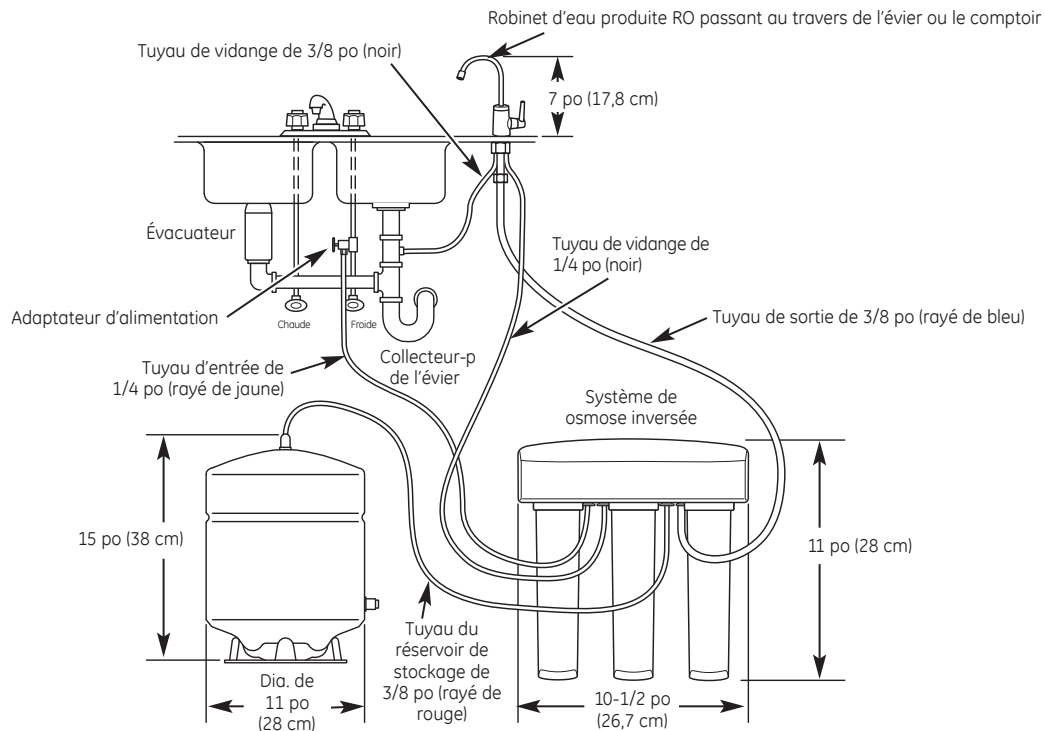
- **IMPORTANT** — Conservez ces instructions pour l'inspecteur local.
- **IMPORTANT** — Respectez toutes les ordonnances et les codes locaux.
- **Avis à l'installateur** – Assurez-vous de laisser ces instructions au consommateur.
- **Avis au consommateur** – Conservez ces instructions pour référence future.
- L'installateur est responsable de bien installer.
- Toute panne du produit due à une mauvaise installation n'est pas couverte par la garantie.
- Un robinet d'arrêt doit être disponible ou ajouté à côté du point d'installation.

LISTE DES COMPOSANTS DE L'APPAREIL

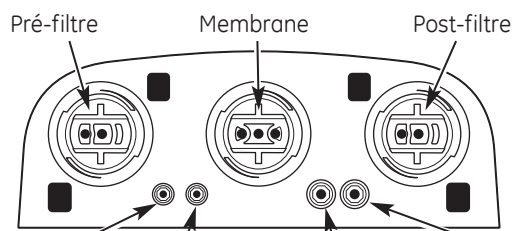
- Ensemble de filtration par osmose inversée et conduite
- Imprimés concernant l'appareil (manuel d'utilisation et d'installation)
- Feuillet de données relatives à la performance
- Adaptateur d'alimentation d'eau
- Ensemble de robinet avec moniteur électronique de base et tuyau
- Réservoir
- Adaptateur de la conduite de vidange

Instructions d'installation

Points à vérifier avant de commencer l'installation



DÉTAIL DES TUYAUX/DU FILTRE



Tuyau d'entrée de 1/4 po (rayé de jaune) partant du robinet d'alimentation

Tuyau de 1/4 po (noir) allant au robinet

Tuyau de 3/8 po (rayé de rouge) allant au réservoir de stockage

Tuyau de 3/8 po (rayé de bleu) allant au robinet

EAU D'ALIMENTATION

L'eau alimentant le système de filtration par osmose inversée monté sous le comptoir doit présenter des qualités répertoriées dans les spécifications. Dans la plupart des cas, l'eau fournie par les municipalités répond à ces spécifications. L'eau de puits peut requérir un traitement—faites-la tester par un laboratoire d'analyses et suivez leurs recommandations pour traitement.

IMPORTANT Lorsque la dureté de l'eau est supérieure à 10 grains (à un pH de 6,9), il est recommandé d'utiliser un adoucisseur. Si un adoucisseur n'est pas utilisé, la durée de vie de la cartouche du système de filtration sera réduite.

RACCORD DU SYSTÈME DE FILTRAGE À LA VIDANGE

L'eau évacuée provenant de la membrane du système de filtration nécessite un point de vidange approprié et un espace d'air (**vérifiez vos codes locaux**).

ROBINET RO

Le robinet d'eau produite RO est monté sur l'évier ou sur le comptoir à proximité de l'évier. Souvent, il est monté dans l'orifice de l'arrosoir existant ou vous pouvez percer un trou. Il est nécessaire de disposer d'un espace suffisant sous l'évier ou le comptoir pour la conduite reliée au robinet ou en provenance de celui-ci et pour le montage du robinet. Tous les raccordements de robinet sont effectués sur ou au dessus de l'évier ou du comptoir.

INSTALLATION DANS UN SOUS-SOL

Si l'installation est effectuée dans un sous-sol, ménagez une longueur de conduite suffisante au cours de l'installation afin de faciliter l'entretien et d'assurer le remplacement des filtres/membrane. Conduite et raccords supplémentaires sont nécessaires.

NOTE : Consultez la liste de pièces à la page 51 pour des pièces en option qui peuvent être nécessaires pour une installation au sous-sol.

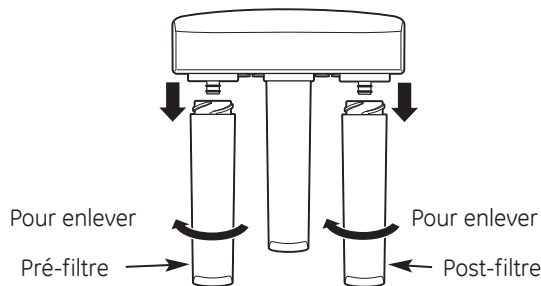
Instructions d'installation

ENSEMBLE D'OSMOSE INVERSÉE

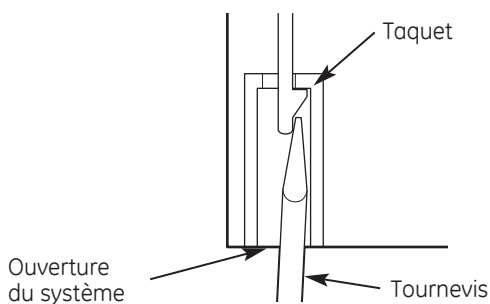
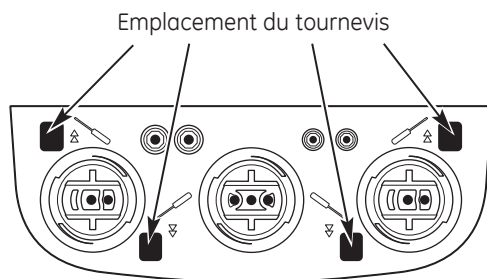
INSTALLATION DU SYSTÈME DE MONTAGE

Choisissez un emplacement sous l'évier pour monter le système. Cet emplacement doit être facilement accessible, avec suffisamment d'espace libre entre le bas des cartouches de filtre et le plancher d'armoire ou le bas de l'armoire pour pouvoir enlever les cartouches de filtre. Laissez suffisamment d'espace de chaque côté du système pour les raccords de tuyaux.

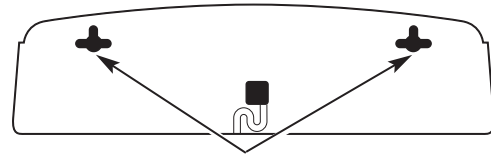
1. Enlevez les cartouches de pré-filtre et de post-filtre.
2. Enlevez le couvercle de l'ensemble en déverrouillant les quatre taquets situés sur le couvercle du système.



3. Utilisez un tournevis à tête plate pour aller de gauche à droite à l'envers du système.
4. Utilisez les icônes placées en bas du système pour bien placer votre tournevis.



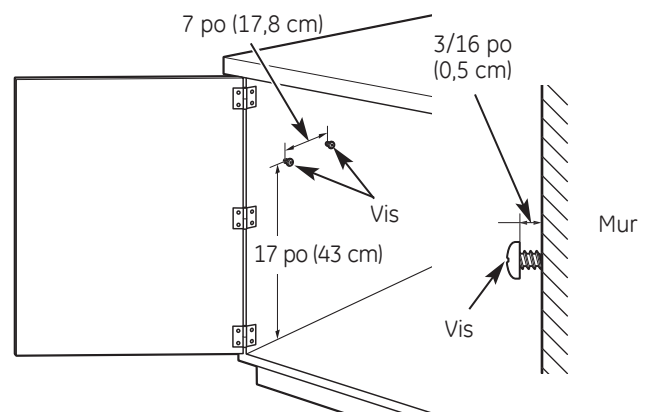
5. Tenez l'ensemble d'osmose inversée vers le haut le long de la surface du mur là où vous voulez l'installer. Marquez l'emplacement des vis. Il devrait y avoir au minimum 17 po (43 cm) de distance entre ces marques et le bas du plancher d'armoire.



Emplacement des vis

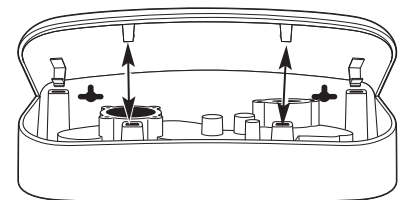
IMPORTANT Ne mettez pas de poussière ou de saletés dans l'endroit où vous allez placer l'ensemble. Ne faites que marquer l'emplacement des trous de montage.

6. Vissez les vis dans le mur, en laissant un espace de 3/16 po libre entre la tête de vis et le mur (percez des trous de guidage si nécessaire).

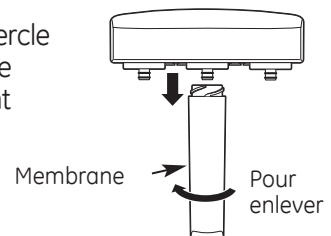


7. Accrochez l'ensemble d'osmose inversée sur les vis. Serrez ou desserrez les vis le cas échéant pour bien accrocher le système au mur.

8. Pour installer le couvercle, alignez les taquets situés à l'avant du couvercle aux ouvertures du système.



9. Faites claquer le couvercle en place; les taquets se replient, en permettant au couvercle de bien tenir en place.



10. Enlevez la cartouche de membrane.

Instructions d'installation

ALIMENTATION D'EAU

Vérifiez et conformez-vous aux codes de plomberie lors de la planification puis installez un raccord d'alimentation d'eau froide.

A. INSTALLATION PRÉFÉRÉE

Utilisez le robinet d'alimentation existant de l'évier et le tuyau flexible amovible de robinet.

Un raccordement typique utilisant le raccord d'alimentation inclus est illustré ci-dessous.

1. Fermez le robinet d'alimentation qui se trouve juste à l'avant du tuyau d'alimentation et ouvrez les robinets afin d'évacuer l'eau du flexible d'eau froide.
2. Enlevez l'écrou qui raccorde le robinet d'eau froide au tuyau d'alimentation. De l'eau résiduelle peut s'en écouler.

NOTES :

- Assurez-vous de fermer l'alimentation d'eau et d'ouvrir le robinet pour drainer le tuyau.
- Assurez-vous que le joint d'étanchéité est installé dans le raccord d'alimentation d'eau.

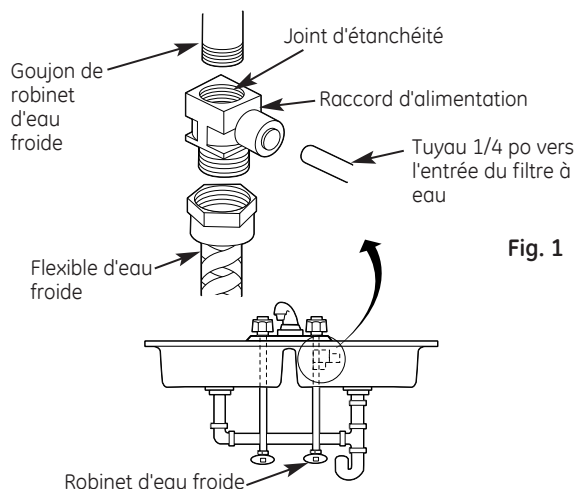


Fig. 1

3. Vissez à la main le raccord d'alimentation sur le robinet d'eau froide. Assurez-vous que le joint d'étanchéité est en place avant l'assemblage final, comme illustré. Terminez le serrage à l'aide d'une clé anglaise. Veillez à ne pas trop serrer ni fausser le filetage pour éviter d'endommager ce dernier. Assurez-vous que la connexion rapide 1/4 po ne repose pas contre un mur causant la courbure de la connexion d'alimentation. Un quart de tour pour serrer ou desserrer l'adaptateur peut être nécessaire pour éviter cette situation.
4. Rebranchez le tuyau d'alimentation au raccord.
5. Posez la tuyauterie. (Voir la section sur l'installation de la tuyauterie.)

B. INSTALLATION OPTIONNELLE-1

Utilisez le robinet d'alimentation existant de votre évier (A) et le tuyau amovible de robinet (B).

1. Consultez l'illustration ci-dessous pour terminer l'assemblage en fonction de la taille de votre robinet d'alimentation (A).
2. Fermez le robinet d'alimentation d'eau froide (A) sous l'évier.
3. Dévissez le tuyau flexible (B) du robinet d'alimentation (A) qui est branché au tuyau ascendant d'eau froide.

NOTE : Pour un tuyau rigide, consultez *INSTALLATION OPTIONNELLE AVEC TUYAU RIGIDE*, à la page 37.

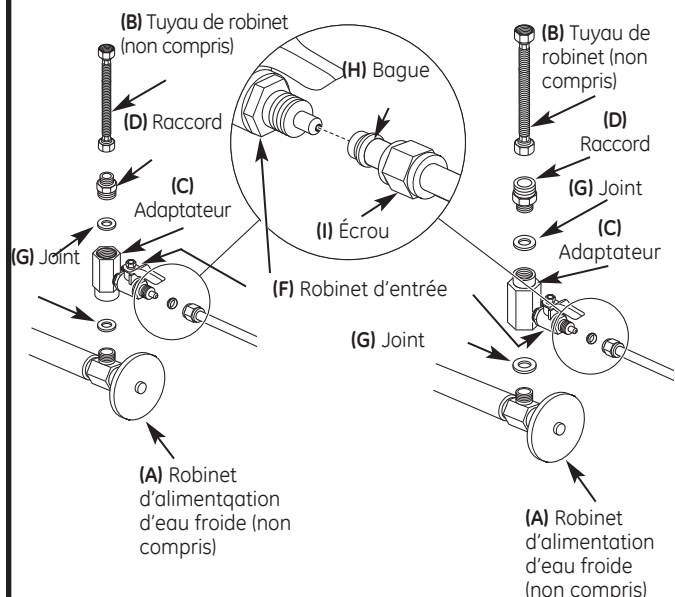
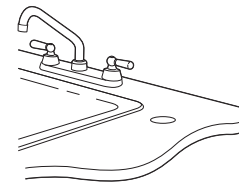
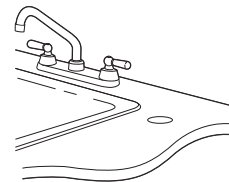
Notez l'orientation de l'adaptateur (C) :

Installation 3/8 po—L'adaptateur à extrémité ronde (C) se branche au robinet d'alimentation (A).

Installation 1/2 po—L'adaptateur à extrémité ronde (C) se branche au raccord (D), puis au tuyau existant de robinet (B).

Pour la plomberie de 3/8 po

Pour la plomberie de 1/2 po



ALIMENTATION D'EAU (suite)

B. INSTALLATION OPTIONNELLE-1 (suite)

- Assemblez l'adaptateur (C) et le raccord (D) comme l'indique l'illustration de gauche, conformément aux caractéristiques de votre installation. Veillez à ce que le joint (G) soit en place avant l'assemblage final. Commencez l'installation à la main, puis finissez de serrer à la clé anglaise. **Prenez bien soin de ne pas trop serrer ou de ne pas fausser le filetage, car vous pouvez l'endommager.**
- Serrez à la main l'adaptateur assemblé (C) dans le robinet d'alimentation (A) conformément aux caractéristiques de votre installation. Assurez-vous que le joint (G) soit en place avant l'assemblage final. Commencez l'installation à la main, puis finissez de serrer à la clé anglaise. **Prenez bien soin de ne pas trop serrer ou de ne pas fausser le filetage, car vous pouvez l'endommager.**
- Rebranchez le tuyau du robinet (B) au sommet de l'adaptateur (C).

NOTE : Si vous devez enlever le robinet d'entrée (F) pour votre installation, consultez *E. Enlèvement et réinstallation du robinet d'entrée*, à la page 38.

- Coupez les liens métalliques des rouleaux de tuyaux, en prenant soin de ne pas endommager les tuyaux ou les pièces si vous utilisez un couteau tout usage.
- Enlevez l'écrou de 1/2 po (I) et la bague (H) de l'extrémité du robinet d'entrée. Utilisant le tuyau (rayé jaune) fourni, placez l'écrou (I) et la bague (H) sur le tuyau et installez dans le robinet d'entrée (F) comme l'indique la figure de gauche. Serrez à la clé anglaise. **Prenez bien soin de ne pas trop serrer ou de ne pas fausser le filetage, car vous pouvez l'endommager.**

NOTE : Inspectez les extrémités du tuyau avant l'installation pour vous assurer qu'il n'y ait pas d'imperfection et que l'extrémité du tuyau soit bien coupée à angle droit. Vous aurez peut-être besoin de recouper le tuyau.

C. INSTALLATION OPTIONNELLE-2

Lorsque les codes l'autorisent (Des pièces supplémentaires sont nécessaires)

***Pour OD de 1/2 po ou tube métallique de plus grandes dimensions.**

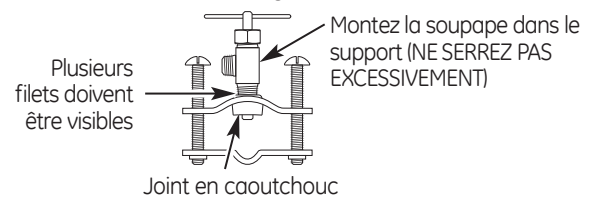
NOTE : Les codes de l'état du Massachusetts exigent que l'installation soit effectuée par un plombier certifié et ne permettent pas l'utilisation de soupapes à étrier. Pour l'installation, utilisez le code 248-CMR du Commonwealth du Massachusetts.

Une soupape à étrier est disponible auprès du service de pièces détachées GE en composant le 1.800.626.2002, numéro de référence WS15X10023. Les soupapes à étrier auto-perçants ne sont pas recommandés.

- Fermez l'alimentation d'eau froide et montez la soupape à étrier comme l'exige le produit de votre choix. (Assurez-vous de suivre les instructions d'installation du fabricant).

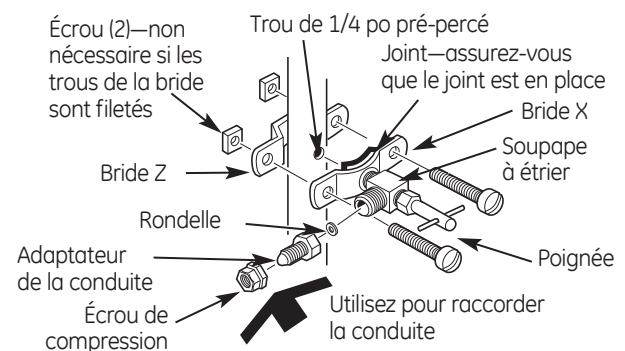
⚠ AVERTISSEMENT : Beaucoup de maisons sont raccordées à la terre par l'intermédiaire de la plomberie. Pour vous mettre à l'abri de blessures graves ou de choc électrique fatal, utilisez une perceuse alimentée par batterie pour faire le trou. **N'UTILISEZ PAS DE PERCEUSE ÉLECTRIQUE.**

- Fermez le robinet d'alimentation d'eau en tournant la poignée dans le sens horaire.
- Ouvrez le robinet principal d'alimentation et plusieurs autres robinets de l'habitation afin de purger l'air du système. Fermez les robinets une fois que l'écoulement d'eau est régulier.



Raccordement optionnel à la source d'alimentation d'eau (avec utilisation de la soupape à étrier)*

***Pour OD de 1/2 po ou tube métallique de plus grandes dimensions.**



Instructions d'installation

C. INSTALLATION OPTIONNELLE-2 (suite)

Pour installer avec un tuyau rigide entre le robinet d'entrée et le robinet de l'évier.

Option 1

1. Enlevez le tuyau du robinet d'alimentation et le robinet de l'évier.
2. Obtenez un tuyau flexible correspondant à la taille de votre plomberie.
3. Installez le tuyau flexible.
4. Retournez à la section A. *Installation préférentielle*, étape 4.

Option 2

1. Obtenez des bagues de compression qui conviennent au tuyau rigide.
2. Obtenez toute autre bague nécessaire pour brancher les bagues de compression à l'adaptateur.

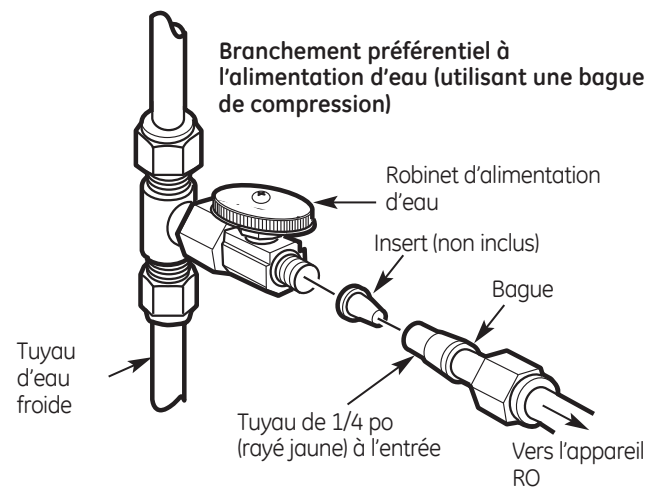
NOTE : L'adaptateur a un filetage intérieur de 1/2 po et un filetage extérieur de 3/8 po.

3. Enlevez le tuyau du robinet d'alimentation.
4. Coupez le tuyau afin que sa longueur corresponde à celle des bagues assemblées et à l'adaptateur.
5. Installez la bague de compression sur le tuyau.
6. Retournez à la section A. *Installation préférentielle*, étape 4.

NOTE : Les pièces indiquées ci-dessus n'accompagnent pas le produit.

D. INSTALLATION À DISTANCE OPTIONNELLE (des pièces supplémentaires sont nécessaires)

1. Fermez l'alimentation d'eau froide.
2. Installez un raccord sur la conduite d'eau froide pour adaptation à une conduite de diamètre extérieur de 1/4 po, conformément aux codes de plomberie. Une connexion typique est montrée dans l'illustration ci-dessous. Vérifiez qu'un robinet d'alimentation d'eau est utilisé.
3. Si l'équipement de filtration à osmose inversée doit être installé à plus de 1,8 m (6 pi) du robinet, remplacez le tuyau d'entrée (rayé jaune) par une conduite GE de 1/4 po plus long. Une conduite de 1/4 po de 10 m (33 pi) est disponible auprès du service de pièces détachées GE au 1.800.626.2002, numéro de référence WS07X10018. **NE SUBSTITUEZ PAS DE CONDUITE DE QUALITÉ INCONNUE.**
4. Si l'équipement de filtration à osmose inversée doit être installé à plus de 1,8 m (6 pi) du robinet, remplacez le tuyau de sortie (rayé bleu) par une conduite GE de 3/8 po plus long. Une conduite de 10 m (33 pi) est disponible auprès du service de pièces détachées GE au 1.800.626.2002, numéro de référence WS07X10019. Voir Installation du robinet, page 39 pour plus de détails. **NE SUBSTITUEZ PAS DE CONDUITE DE QUALITÉ INCONNUE.**



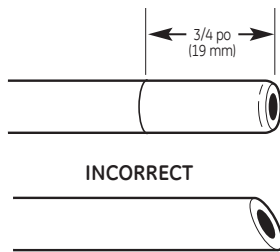
Si vous utilisez des tubes de cuivre, **NE** les branchez **PAS** directement sur l'équipement de filtration par osmose inversée. Achetez un connecteur et utilisez une conduite jaune plus court fourni pour faire la connexion finale à l'équipement de filtration par osmose inversée. N'utilisez pas de tube de cuivre pour brancher à machine à glaçons ou au robinet.

Instructions d'installation

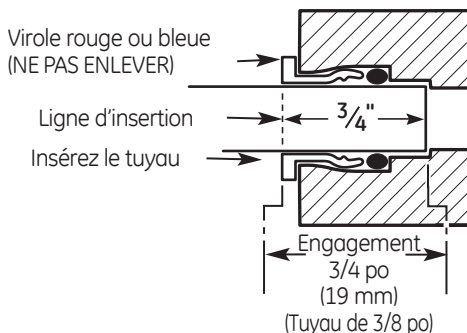
ALIMENTATION D'EAU (suite)

INSTALLATION DU TUYAU AU RÉSERVOIR ET AU ROBINET

1. Mesurez $3/4$ po (19 mm) à partir de chaque extrémité de tuyau restante (extrémité du tuyau et extrémité du robinet) et marquez avec un crayon (vérifiez que le tuyau soit bien rond, lisse, qu'il n'ait pas de coupure, d'arête vive ou de point faible, et que la coupure soit bien perpendiculaire).



2. Poussez fermement le tuyau dans chaque raccord du collecteur jusqu'à ce que le tuyau soit aligné au col du manchon (si le tuyau est enlevé, recoupez son extrémité, mesurez, marquez et réinsérez). Vous devez bien insérer le tuyau pour éviter toute fuite. **Pour enlever le tuyau, appuyez sur la virole rouge ou bleue et tenez appuyé. Tirez sur le tuyau pour l'enlever.**



3. Tirez légèrement sur le tuyau pour vous assurer qu'il est bien scellé.

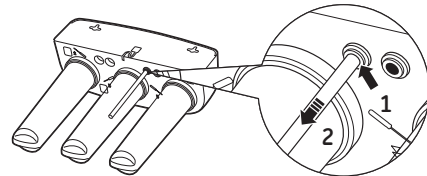
PROCÉDURE DE REMPLACEMENT DU RÉDUCTEUR DE DÉBIT

Chaque fois que vous changez la cartouche d'osmose inversée, vous devez également changer le réducteur de débit dans le tuyau de vidange.

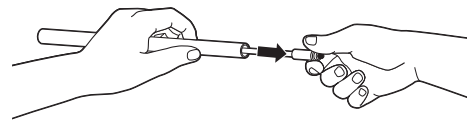
Assurez-vous de bien vous laver les mains avant de toucher les pièces internes du système.

PROCÉDURE DE REMPLACEMENT DU RÉDUCTEUR DE DÉBIT (suite)

1. Enlevez le tuyau de vidange en poussant vers le haut la virole du tuyau de vidange (1) avec une main tout en enlevant le tuyau de vidange (2) avec l'autre main.

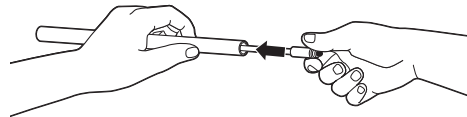


2. Après avoir enlevé le tuyau de vidange de la base du système, saisissez l'extrémité du réducteur de débit et tirez le réducteur droit vers vous pour le faire sortir du tuyau*. Si le réducteur est difficile à enlever à la main, utilisez des pinces pour saisir l'extrémité du réducteur, pour l'enlever plus facilement du tuyau.

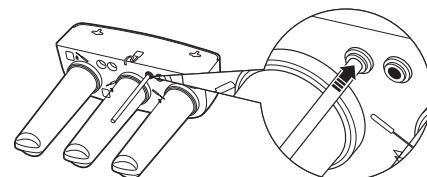


*Dans certains cas, le réducteur peut sortir en glissant du tuyau de vidange quand vous l'enlevez du col du tuyau de vidange. Si, après avoir enlevé le tuyau de vidange conformément à l'étape 1, le réducteur n'est plus à l'extrémité du tuyau, vérifiez le col du tuyau de vidange. Enlevez le réducteur du col et passez à l'étape 3.

3. Prenez un nouveau réducteur et mettez-le en place en le faisant glisser dans le tuyau de vidange. Faites-le pénétrer à la main. N'utilisez jamais de pinces pour le remettre en place. Assurez-vous de faire entrer complètement le réducteur dans le tuyau. Si vous ne le faites pas, vous risquez d'obtenir un mauvais fonctionnement du système d'osmose inversée.



4. Refaites entrer le tuyau de vidange dans la base du système. Tirez un peu sur le tuyau pour vous assurer que la virole est bien engagée et tient bien au tuyau.



Instructions d'installation

DISPOSITIF DU ROBINET

INSTALLATION DU ROBINET

Assurez-vous qu'il y ait suffisamment de place au-dessous et au-dessus de l'évier pour faire les branchements nécessaires. Avant de commencer, assurez-vous qu'il y ait suffisamment de place pour la base de robinet et l'unité. Choisissez l'un des emplacements suivants pour installer le robinet :

- A. Dans un trou existant de distributeur de savon ou de douchette.
- B. Dans un trou à percer en haut de l'évier.
- C. Dans un trou à percer dans le comptoir, près de l'évier.

NOTES :

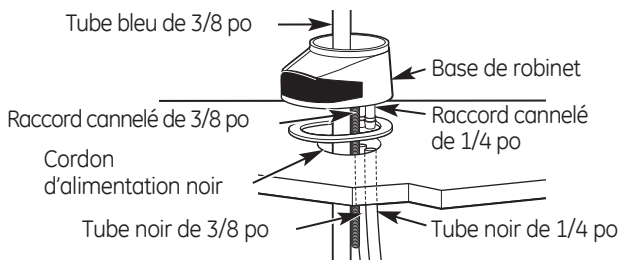
- Assurez-vous que la base de robinet soit bien plate contre la surface de l'emplacement choisi de manière à ce que le joint placé entre la base et la surface de l'emplacement choisi soit bien étanche.
- Laissez suffisamment d'espace à l'arrière du robinet au cas où vous devriez l'enlever.

Étapes d'installation (voir l'illustration ci-dessous pour plus de clarté)

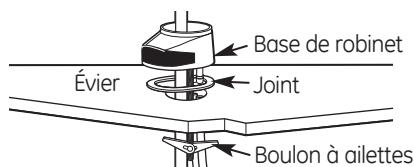
1. Si vous devez faire un trou, faites un trou de 1 1/2 po de diamètre. **Assurez-vous d'utiliser la bonne procédure pour percer la porcelaine ou l'acier inoxydable. Vous pouvez avoir besoin d'une mèche spéciale de perceuse. Consultez un plombier qualifié pour trouver la bonne procédure.**

NOTE : Le perçage de l'acier inoxydable engendre souvent des rebords coupants qui peuvent percer le tube. Prenez soin de ne pas vous couper ni endommager le tube.

2. Enlevez la corps et la base du robinet en tournant la base dans le sens antihoraire.
3. Poussez les tubes noirs de 1/4 po et de 3/8 po dans les raccords cannelés adéquats de la base du robinet. Poussez le tube de 3/8 po bleu et le cordon d'alimentation noir (fil de téléphone) à travers la base.

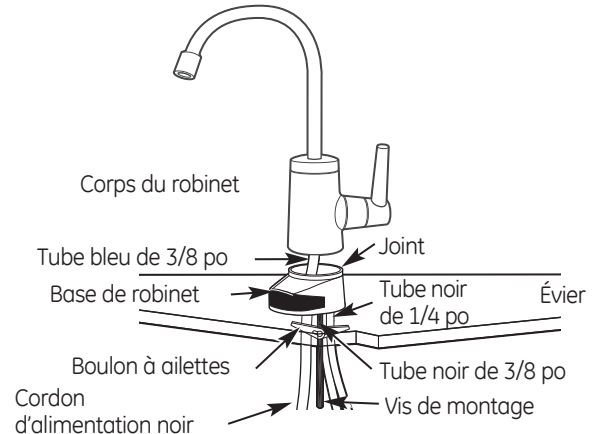


4. Alignez le joint de façon à recouvrir le trou entièrement. Placez ensuite le boulon à ailettes de la base dans le trou.



INSTALLATION DU ROBINET (SUITE)

5. Serrez le boulon à ailettes jusqu'à bien fixer la base en place pour l'empêcher de branler ou de tourner.
6. Poussez le tube de 3/8 po bleu par en haut pour le connecter au raccord dans le bas du corps du robinet. Il devrait rentrer sur environ 3/4 po. Tirez le tube légèrement pour vérifier qu'il est solidement inséré.

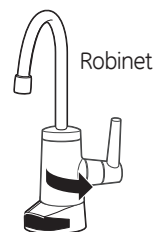


7. Poussez le corps du robinet vers le bas dans sa base et tournez le robinet de 1/8 de tour dans le sens antihoraire jusqu'à ce qu'il s'arrête en place.

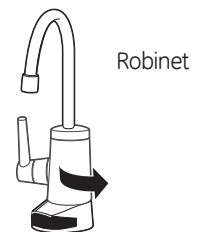
NOTE : Vous pouvez installer le robinet pour que sa poignée se trouve à droite ou à gauche.

Si vous souhaitez avoir la poignée de robinet sur la droite, placez celle-ci du côté avant droit de la base avant de tourner de 1/8 de tour dans le sens antihoraire.

Si vous souhaitez avoir la poignée de robinet sur la gauche, placez celle-ci du côté arrière gauche de la base avant de tourner de 1/8 de tour dans le sens antihoraire.

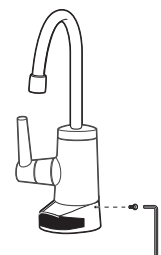


Poignée du robinet à DROITE



Poignée du robinet à GAUCHE

8. Localisez le trou à l'arrière de la base. Insérez la vis de pression et commencez à la visser à la main. Finissez de la visser à l'aide de la clé Allen fournie dans le paquet. **NE SERREZ PAS TROP FORT.**



Instructions d'installation

INSTALLATION DU ROBINET (suite)

INSTALLATION OPTIONNELLE DU TUYAU DE ROBINET PAR UNE PERSONNE

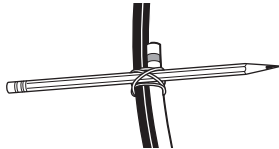
1. En partant sous l'évier, réunissez le tuyau de vidange de 1/4 (noir), le tuyau de vidange de 3/8 po (noir) et le tuyau de sortie de 3/8 po (rayé bleu) dans une main, avec les tuyaux de drainage se terminant à la même longueur et le tuyau de sortie dépassant d'environ 6 pouces.
2. Entourez les trois tuyaux d'une bande élastique.



3. Insérez un crayon ordinaire No 2 dans la bande élastique.



4. Faites tourner le crayon jusqu'à ce qu'il soit aligné aux tuyaux et poussez vers le haut par le trou de

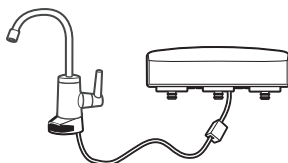


montage. Relâchez votre prise sur le crayon. Les tuyaux demeurent en position pour un branchement plus facile du robinet.



INSTALLATION DU CORDON D'ALIMENTATION D'ÉLECTRICITÉ

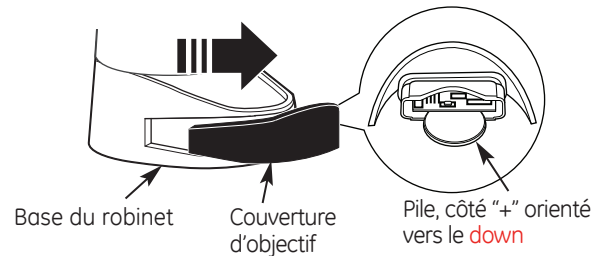
Branchez le cordon d'alimentation électrique du robinet à la prise de liaison de l'ensemble d'osmose inversée.



NOTE : Si vous avez besoin d'une rallonge à cause de la distance de l'emplacement, ce câble de rallonge de téléphone doit être du type 6 fils conducteurs et contacts. Un câble ordinaire de 4 conducteurs ne fonctionne pas.

INSTALLATION DE LA PILE

1. Retirez la couverture d'objectif de la base de robinet. Saisissez-le des deux côtés et tirez en avant.
2. Installez une pile CR2032 3V, côté "+" orienté vers le DOWN, dans le compartiment à pile. Glissez le compartiment à pile tout à fait à l'arrière dans la base.



3. Chaque témoin lumineux s'allumera en séquence deux fois. Le témoin OK (vert) ou Filter (jaune) peut rester allumé pendant quelques secondes de plus. Si vous souhaitez relancer la séquence de démarrage, retirez la pile pendant 90 secondes pour permettre la réinitialisation complète de l'électronique, puis remplacez la pile.

4. Le témoin OK (vert) clignotera normalement une fois par seconde lors de la distribution d'eau. Si le système nécessite un entretien, les témoins Filtre ou R.O. (jaune) clignoteront une fois par seconde pendant la distribution et clignoteront aléatoirement en période d'inutilisation.

NOTE : Le passage entre les témoins OK et R.O. s'effectue si le système détecte un changement dans le processus de filtrage pendant 25 secondes consécutives. Par exemple, si le système indiquait qu'un entretien était nécessaire, il faudra 25 secondes de filtrage consécutif pour que le système confirme que l'intervention appropriée a été réalisée.

CHANGEMENT DE FILTRE : Remplacez la pile lors du changement de filtre. Retirez la pile usée et attendez 90 secondes avant d'installer la nouvelle pile pour assurer la réinitialisation adéquate de l'électronique pour les 6 prochains mois.

Instructions d'installation

RACCORDEMENTS À LA CONDUITE DE VIDANGE

Vérifiez et conformez-vous aux codes de plomberie lors de la planification.

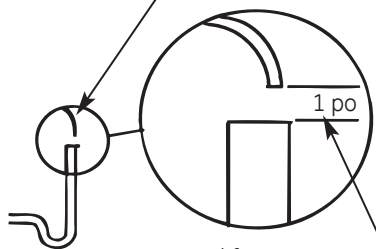
⚠ MISE EN GARDE : Les options décrites ci-dessous représentent **UNIQUEMENT** les configurations d'installation homologuées. N'utilisez pas de systèmes comportant des soupapes à étrier.

NOTE : Si vous ne vous conformez pas à ces instructions d'installation, vous annulez la garantie du produit, et l'installateur devient responsable de tout service, réparation ou dommage occasionné par le système.

INSTALLATION PRÉFÉRENTIELLE : OPTION A – INSTALLATION DU SYSTÈME AU SOUS-SOL

Acheminez **DIRECTEMENT** la conduite de vidange du système de filtration par osmose inversée à un événement du sous-sol, en dérivant l'espace d'air ménagé dans le robinet. L'installation de l'écart anti-retour est laissée à la discrétion de l'installateur. Il est aussi possible de diriger la conduite de vidange sur un orifice d'évacuation du sol ou encore dans une baignoire sous réserve que l'espace d'air du sous-sol est respecté. Des raccords spéciaux pour l'espace d'air sont disponibles pour le raccordement de la conduite à l'événement.

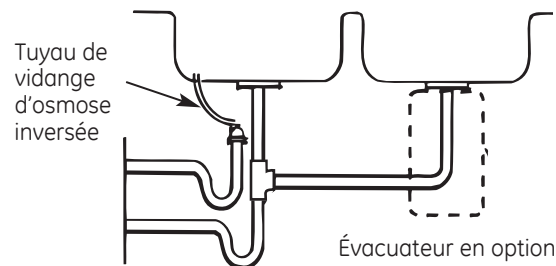
Conduite de vidange du système de filtration par osmose



Il faut conserver un écart anti-retour d'au moins 1 po (2,5 cm)

INSTALLATION PRÉFÉRENTIELLE : OPTION B – INSTALLATION D'UN SIPHON P À VENTILATION TRADITIONNELLE

Installez sous l'évier un siphon P à ventilation traditionnelle, qui sera utilisé uniquement pour le tuyau de vidange d'osmose inversée. Un siphon P à ventilation traditionnelle est un siphon P qui a sa propre ventilation. Attachez l'adaptateur de tuyau de vidange au siphon P, et serrez-le avec l'écrou coulissant et la rondelle comme l'indique la figure. Le tuyau de vidange **DOIT** passer par l'espace d'air fourni par le robinet d'eau d'osmose inversée.

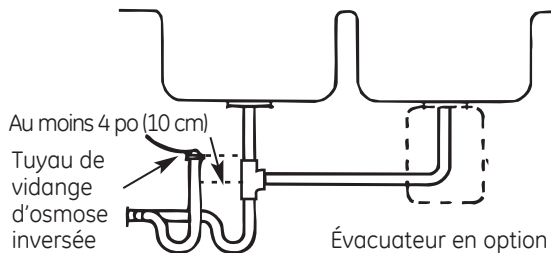


Instructions d'installation

RACCORDEMENTS À LA CONDUITE DE VIDANGE (suite)

INSTALLATION PRÉFÉRENTIELLE : OPTION C – INSTALLATION D'UN SIPHON P À VENTILATION INTERNE

Installez sous l'évier un siphon P à ventilation interne, qui sera utilisé uniquement pour le tuyau de vidange d'osmose inversée. Un siphon P à ventilation interne est un siphon P qui partage une ventilation commune. Attachez l'adaptateur de tuyau de vidange au siphon P, et serrez-le avec l'écrou coulissant et la rondelle comme l'indique la figure. Le tuyau de vidange DOIT passer par l'espace d'air fourni par le robinet d'eau d'osmose inversée. Placez le siphon P d'osmose inversée aussi haut que possible (au moins 4 po [10 cm] au-dessus de l'horizontale).

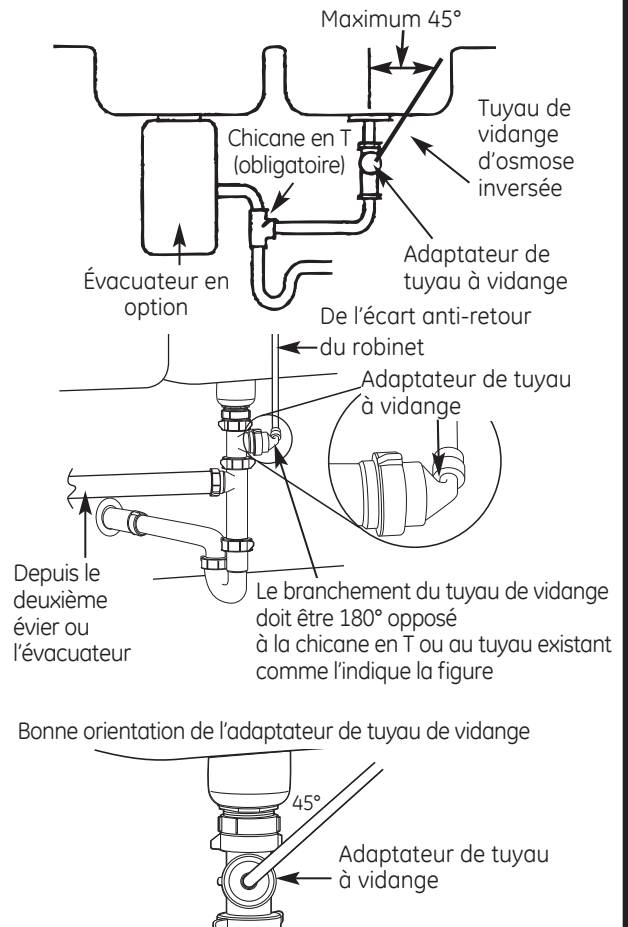


INSTALLATION SECONDAIRE : OPTION D – INSTALLATION D'UN ADAPTATEUR DE TUYAU DE VIDANGE

ATTENTION : Si vous utilisez l'option D, vous risquez de boucher la tuyauterie en cas de mauvaises conditions. L'utilisateur doit l'inspecter et la nettoyer périodiquement.

N'INSTALLEZ PAS LE TUYAU DE VIDANGE EN AVAL D'UN ÉVACUATEUR OU SUR UN TUYAU HORIZONTAL.

Installez l'adaptateur de tuyau de vidange sous l'évier comme l'indique la figure (pièces comprises). Vous devez installer la chicane en T indiquée pour empêcher que le tuyau de vidange d'osmose inversée se bouche. Amenez le tuyau de vidange de l'écart anti-retour à l'adaptateur de tuyau de vidange, en vous assurant qu'il n'y ait pas d'angle d'inclinaison, de boucle ou de point bas dans le tuyau. Vous devez aligner verticalement l'adaptateur de tuyau de vidange de manière à ce que le branchement de tuyau soit orienté vers le haut (le branchement de tuyau ne doit jamais baisser de moins de 45° par rapport à sa position verticale). Cette installation peut occasionner un petit bruit de vidange quand le système d'osmose inversée se recharge. Si cela se produit, placez simplement les bouchons de vidange d'évier pour arrêter le bruit.

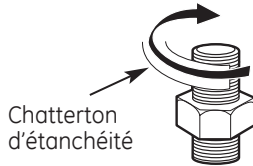


Instructions d'installation

RÉSERVOIR DE STOCKAGE ET DÉMARRAGE DU SYSTÈME

INSTALLATION DU RÉSERVOIR DE STOCKAGE

1. Enlevez le capuchon protecteur du haut du réservoir.
2. Enroulez 2 ou 3 tours de chatterton d'étanchéité, dans le sens des aiguilles d'une montre, autour du filetage du réservoir.
3. Installez le raccordement poussoir sur le raccordement fileté du réservoir comme l'indique la figure.
4. Poussez le tuyau de 3/8 po (rayé rouge) du système d'osmose inversée dans le raccordement du réservoir de stockage.



PROCÉDURE DE MISE EN MARCHÉ DU SYSTÈME

IMPORTANT Si vous installez votre système dans une construction neuve, assurez-vous de bien purger la plomberie de la maison avant d'ouvrir le robinet d'approvisionnement d'eau.

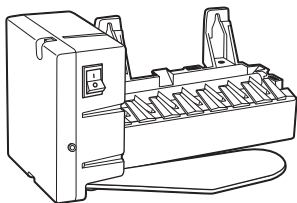
1. Vérifiez que tous les raccords de tuyaux soient bien mis.
2. Ouvrez le robinet d'approvisionnement d'eau.
3. Vérifiez qu'il n'y ait pas de fuite aux points de raccordement.
4. Suivez les procédures d'aseptisation à la page 45.
5. Après avoir terminé l'aseptisation, remettez le pré-filtre, le post-filtre et les cartouches d'osmose inversée.
6. La membrane contient un agent de préservation comestible. Laissez le système remplir le réservoir, videz-le ensuite complètement quatre fois avant d'utiliser l'eau du système.
7. Vérifiez à nouveau tous les points de raccords quelques jours plus tard, afin de vous assurer qu'il n'y ait pas de petites fuites.

Procédure de remplacement du pré-filtre, du post-filtre et de la cartouche de membrane d'osmose inversée.

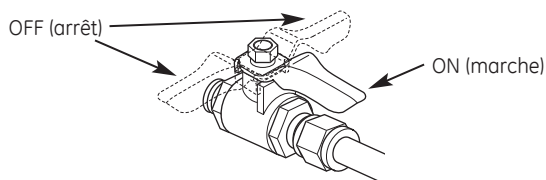
Quand la lumière bleue de la base du robinet clignote, il est temps de remplacer le pré-filtre et le post-filtre. Cela se produit tous les 6 mois.

Assurez-vous de vous laver les mains avant de manipuler les pièces intérieures du système.

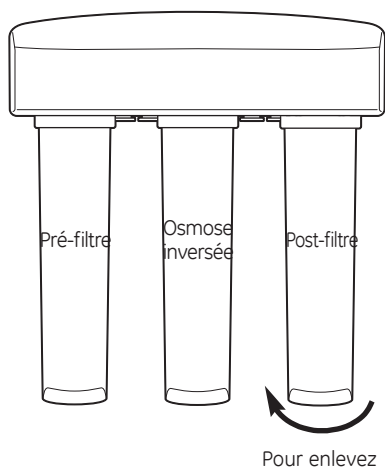
1. Mettez la machine à glaçons en position OFF (arrêt) (si elle est attachée au système).



2. Coupez l'alimentation en eau du système.



3. Ouvrez le robinet pour vider le réservoir (cela peut prendre plusieurs minutes). Fermez le robinet quand le réservoir est vide.
4. Enlevez le pré-filtre, le post-filtre et la cartouche d'osmose inversée en les faisant tourner vers la gauche environ 1/3 de tour.

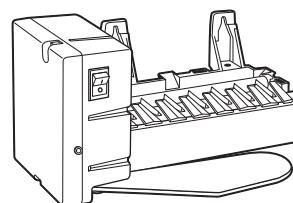


5. Suivez les procédures de la section Aseptisation du système d'osmose inversée à la page 46.

6. Enlevez l'opercule au sommet des nouvelles cartouches de remplacement. Installez les nouvelles cartouches dans le collecteur en tournant vers la droite environ 1/3 de tour, jusqu'à ce que les marques d'alignement soient alignées et les cartouches s'arrêtent. **NE SERREZ PAS TROP.** Les cartouches se soulèvent quand elles sont tournées.

NOTE : Le pré-filtre et le post-filtre sont identiques. Vous pouvez installer l'un ou l'autre indifféremment. La cartouche d'osmose inversée est installée au centre.

7. Ouvrez l'approvisionnement d'eau pour remplir le système (cela peut prendre jusqu'à quatre heures). Vérifiez qu'il n'y a pas de fuite.
8. Enlevez le tiroir à pile et remettez la pile, le côté positif « + » vers le haut, pour remettre en marche la minuterie et la fonction de surveillance dans la base du robinet (voir la bonne procédure dans la section *Installation de la pile*).
9. Si vous ne remplacez que le pré-filtre et le post-filtre, ouvrez le robinet et remplissez puis videz le réservoir de stockage deux (2) fois. Si vous remplacez la cartouche de membrane, remplissez et videz le réservoir de stockage quatre (4) fois au total. (Cela enlèvera les agents de préservation comestibles contenus dans les nouvelles membranes. Cet agent de préservation donne à l'eau du produit un goût et une odeur désagréables.)
10. Quand le réservoir de stockage est plein, mettez en marche la machine à glaçons.



NOTE : Vous devez aseptiser le système quand vous remplacez la cartouche de pré-filtre et la cartouche de post-filtre ou la cartouche d'osmose inversée. Suivez les procédures de la section *Aseptisation du système d'osmose inversée*, à la page 46.

Entretien et nettoyage du système de filtration par osmose inversée.

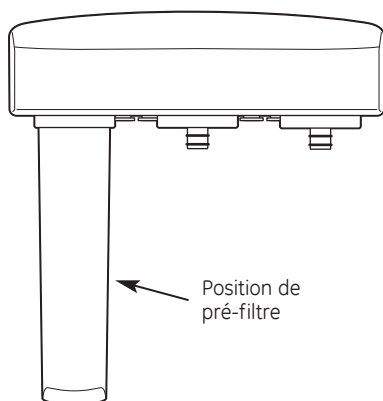
Aseptisation du système d'osmose inversée

Aseptisez l'installation du système d'osmose inversée après avoir entretenu, réparé ou changé des pièces intérieures, en particulier après avoir remplacé le pré-filtre, le post-filtre et la cartouche de membrane.

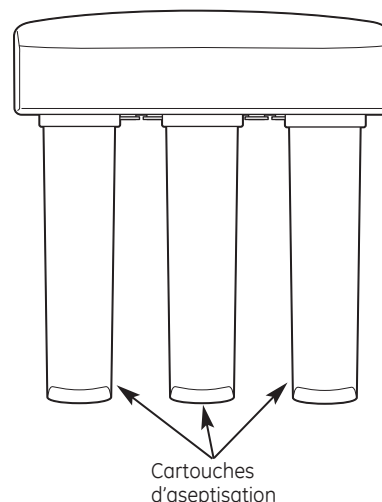
Assurez-vous de vous laver les mains avant de manipuler les pièces intérieures du système.

IMPORTANT Avant d'aseptiser, assurez-vous d'enlever toutes les cartouches. Le chlore détruit la cartouche de membrane d'osmose inversée.

1. Suivez les étapes 1 à 4 de la section *Procédure de remplacement du pré-filtre, du post-filtre et de la cartouche de membrane d'osmose inversée*.
2. Emplissez d'eau la cartouche vide appelée « cartouche d'aseptisation », avec l'eau qui arrive à moins d'1 pouce de l'ouverture supérieure. Ajoutez 2 cuillères à soupe d'agent de blanchiment ménager ordinaire sans odeur. Installez la cartouche en position de cartouche de pré-filtre en tournant vers la droite environ 1/3 de tour jusqu'à ce que les marques d'alignement s'alignent et la cartouche s'arrête.



3. Installez les deux « cartouches d'aseptisation » additionnelles dans les ouvertures de la cartouche de membrane et du post-filtre du collecteur en les tournant vers la droite environ 1/3 de tour jusqu'à ce que les lignes d'alignement soient alignées et la cartouche s'arrête.



4. Ouvrez l'alimentation d'eau. Ouvrez le robinet jusqu'à ce que l'eau commence à couler du robinet, puis fermez le robinet. Laissez le système se remplir pendant 10 minutes.
5. Ouvrez le robinet et laissez l'eau couler 20 minutes, ou jusqu'à ce que l'odeur de Javel disparaisse. Fermez à nouveau l'approvisionnement d'eau. Ouvrez le robinet pour purger le système.
6. Quand le système est purgé, fermez le robinet et enlevez les cartouches en les tournant vers la gauche environ 1/3 de tour. Conservez-les dans un endroit sûr jusqu'à ce que vous en ayez besoin à nouveau.

Pour obtenir des filtres de rechange, appelez le numéro d'appel sans frais du service de pièces d'appareil GE au 800.626.2002 (États-Unis), 800.663.6060 (Canada-Anglais), 800.361.3869 (Canada-Français), ou visitez le magasin dans lequel vous avez acheté le système de filtration par osmose inversée.

Cartouche de rechange du pré-filtre/post-filtre FQROPF	Bloc de charbon
Cartouche de rechange du système de filtration FQROMF	Pellicule mince en polyamide

⚠ ATTENTION: Pour réduire le risque de blessure :
Dépressurisez le système comme illustré dans le manuel avant de déposer la cartouche.

Trousse de test d'eau

Pour obtenir une trousse de test d'eau d'un laboratoire indépendant, veuillez appeler Legend Technical Services au 1.800.826.8553 poste 47 et laissez les informations pour vous contacter. Ils vous contacteront pour vous demander d'identifier les tests d'eau qui vous intéressent, et pour vous informer du coût du test. Vous recevrez ensuite une trousse qui comprendra tous les tests nécessaires pour indiquer correctement le niveau de performance de votre système. L'eau produite doit être testée au minimum tous les six mois.

NOTE : Quand la réduction de solides totaux dissous du système baisse en dessous de 75 %, il est temps de remplacer la cartouche d'osmose inversée en plus du pré-filtre et du post-filtre.

Avant d'appeler un réparateur...



Conseils de dépannage

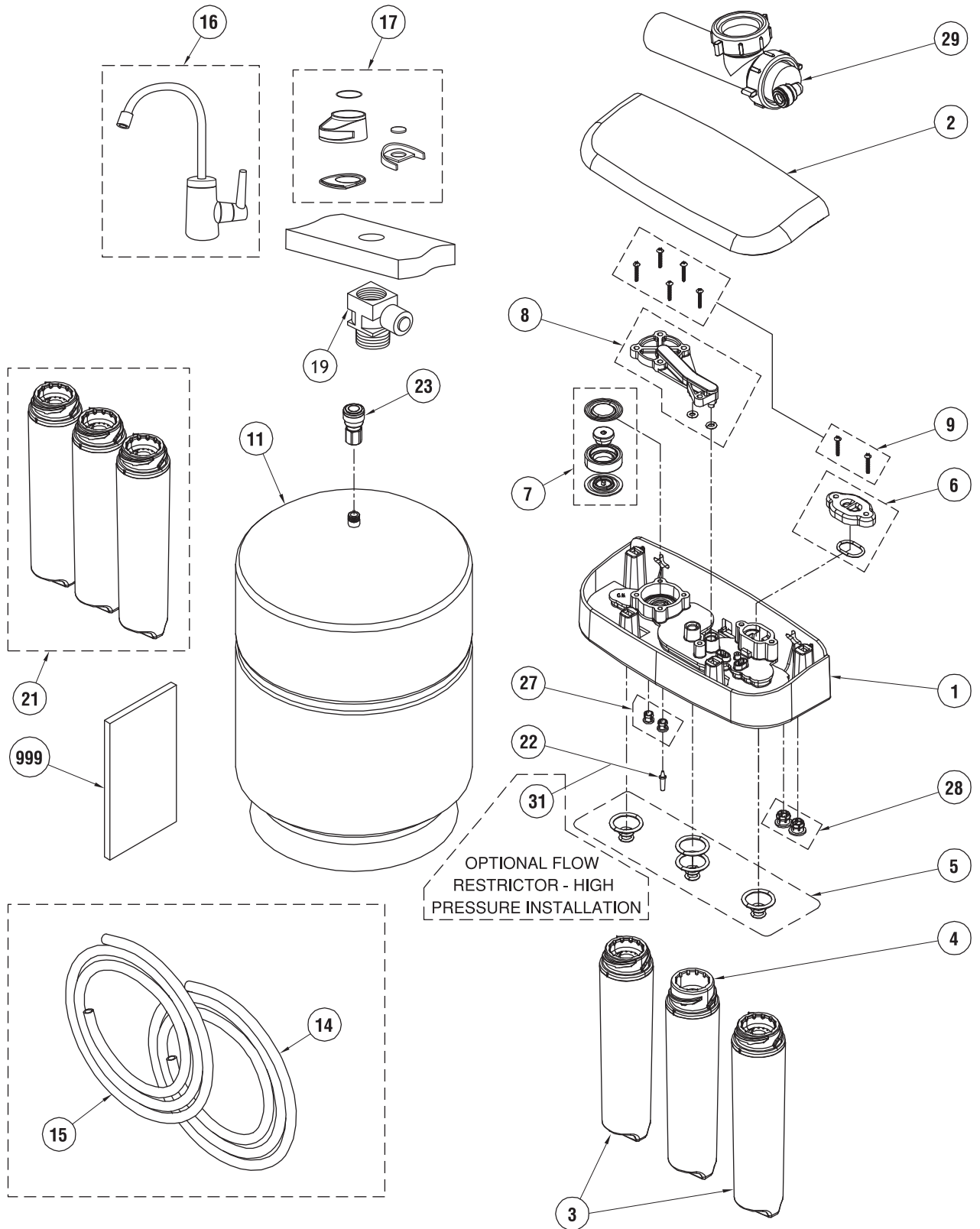
Économisez du temps et de l'argent! Repassez en revue le tableau et il est possible que vous n'ayez pas à appeler pour obtenir du service.

Problème	Causes possibles	Correctifs
L'eau est trouble et contient des bulles	Il y a de l'air dans les conduites après l'installation.	<ul style="list-style-type: none"> Ce phénomène disparaît après que l'eau a coulé pendant un certain temps.
La lumière indicatrice située sur la base du robinet ne fonctionne pas	Les piles ne sont pas bien mises ou sont usées.	<ul style="list-style-type: none"> Trouvez la bonne orientation à la page 40 et placez bien les piles. Remplacez les piles si elles sont usées.
	La lumière bleue ne s'allume pas avant 6 mois.	<ul style="list-style-type: none"> Fonctionnement normal.
	Les piles sont mortes.	<ul style="list-style-type: none"> Utilisez la pile neuve CR2032, de 3 volts.
L'eau du système de filtration goûte le chlore ou présente des odeurs de chlore	La concentration en ppm de chlore dans votre eau dépasse les limites maximales et a détruit la membrane du système.	<ul style="list-style-type: none"> Si l'eau alimentant le système contient une concentration de plus de 2,0 ppm de chlore, il est nécessaire d'assurer un filtrage complémentaire de cette eau. Corrigez cette situation avant toute opération d'entretien du système.
	La cartouche d'osmose inverse ne réduit plus la quantité requise de matières totales dissoutes.	<ul style="list-style-type: none"> Remplacez la membrane, cartouche, régulateur de débit, tamis, pré-filtre, post-filtre du système de filtration et les piles dans la boîte électronique.
Il y a d'autres odeurs ou goût de chlore	L'eau de haute qualité produite peut avoir un goût différent de celui auquel vous êtes habitué.	<ul style="list-style-type: none"> Ceci est normal.
	Utilisation basse de l'eau.	<ul style="list-style-type: none"> Videz complètement le système et le remplir à nouveau.
	Contamination dans le réservoir d'eau traitée.	<ul style="list-style-type: none"> Utilisez les procédures de désinfection.
	Le pré-filtre ou post-filtre doivent être remplacés.	<ul style="list-style-type: none"> Remplacez le pré-filtre et le post-filtre. Désinfectez le système.

Problème	Causes possibles	Correctifs
L'eau fuit de l'orifice d'espace d'air du robinet	Le côté vidange de l'espace d'air du robinet (conduite de 3/8 po) est colmaté, l'écoulement est limité ou la conduite n'a pas été correctement raccordé au point de vidange.	<ul style="list-style-type: none"> Inspectez et éliminez la cause du colmatage. Il est important que la conduite de vidange soit rectiligne entre l'espace d'air du robinet et la conduite de vidange. Référez-vous à la section <i>Raccordement à la conduite de vidange</i> pour vous assurer d'un bon raccord de la conduite. Si vous avez utilisé un adaptateur pour la conduite au point de vidange, il est recommandé d'effectuer une inspection périodique/nettoyage.
Le système produit de l'eau lentement	Ceci est normal.	<ul style="list-style-type: none"> Le débit d'eau sera inférieur à celui de votre robinet habituel. Il faut de 3 à 4 heures pour fournir suffisamment d'eau pour remplir le réservoir.
	L'eau alimentant le système de filtration ne répond pas aux spécifications définies.	<ul style="list-style-type: none"> Augmentez la pression de l'eau ou pré-conditionnez l'eau, etc. selon le cas afin que vous soyez conforme aux spécifications avant d'effectuer les opérations d'entretien du système.
	La cartouche du pré-filtre est colmatée par des sédiments.	<ul style="list-style-type: none"> Remplacez le pré-filtre. Si le débit n'augmente pas, remplacez le post-filtre, la cartouche du système, le régulateur de débit et les piles dans la base du robinet.
	La cartouche du système est colmatée par des sédiments.	<ul style="list-style-type: none"> Remplacez la cartouche du système, le régulateur de débit et la pile dans la base du robinet.
Pas d'eau	Le robinet d'alimentation d'eau n'est pas ouvert.	<ul style="list-style-type: none"> Ouvrez le robinet d'alimentation d'eau. Consultez le diagramme à la page 37.
	Après un changement de filtre, le réservoir est vide.	<ul style="list-style-type: none"> Il faut de 3 à 4 heures au système d'osmose inversée pour fournir suffisamment d'eau pour remplir le réservoir.
Fuites aux raccords	Mauvaise installation.	<ul style="list-style-type: none"> Réinstallez. Consultez les instructions d'installation.
Sons que vous pouvez entendre	Vidange de l'évier, vidange de l'eau du système.	<ul style="list-style-type: none"> C'est normal. Vous pouvez poser un tuyau de vidange à une autre vidange, comme une vidange de cave. Consultez les pages 41 et 42 pour d'autres configurations de vidange.
	Écart anti-retour du robinet—vidange de l'eau au travers de l'écart anti-retour du robinet. Cela peut résulter d'un approvisionnement d'eau à pression élevée, en général de 80 psi ou plus.	<ul style="list-style-type: none"> Installez un régulateur de pression dans le système d'approvisionnement d'eau pour réduire la pression de l'eau en dessous de 80 psi. Un autre réducteur de débit pour les installations à pression élevée est vendu par GE (article 31 sur la liste des pièces à la page 51). Appelez les pièces GE et demandez un réducteur de débit, haut débit, pièce numéro WS15X10049.

Liste de pièces.

PXRQ15RBL, PNRQ15RBL



PIÈCES EN OPTION
POUR UNE INSTALLATION
À DISTANCE

N° DE RÉF	N° DE PIÈCE	DESCRIPTION DES PIÈCES	QUANTITÉ	
			P X R Q 1 5 R B L	P N R Q 1 5 R B L
0001	WS19X10017	ENSEMBLE DE COLLECTEUR	1	1
0002	WS19X10018	CAPUCHON	1	1
0003	FQROPF	ENSEMBLE PRÉ-FILTRE ET POST-FILTRE	1	1
0004	FQROMF	CARTOUCHE D'OSMOSE INVERSÉE	1	1
0005	WS03X10047	JEU DE JOINTS TORIQUES (4 GRANDS, 6 PETITS)	1	1
0006	WS03X10048	CAPUCHON D'INDICATEUR DE DÉBIT ET JOINT TORIQUE	1	1
0007	WS15X10050	ENSEMBLE DE ROBINET D'ARRÊT	1	1
0008	WS10X10030	ENSEMBLE DE COUVERCLE D'ARRÊT ET DE BALLE DE VÉRIFICATION	1	1
0009	WS02X10034	VIS, ENSEMBLE DE 7	1	1
0011	WS32X10021	RÉSERVOIR DE STOCKAGE D'EAU	1	1
0014	WS07X10018	TUYAU, DIAMÈTRE DE 1/4 PO X 33 PIEDS—BLANC	1	1
0015	WS07X10019	TUYAU, DIAMÈTRE DE 3/8 PO X 33 PIEDS—BLANC	1	1
0016	WS15X10076	BEC DE ROBINET, CHROME	1	1
0017	WS10X10045	BASE DE ROBINET, CHROME	1	1
0019	WS60X10016	TROUSSE D'ADAPTATEUR D'ALIMENTATION D'EAU	1	1
0021	WS35X10041	TROUSSE D'ASEPTISATION	1	1
0022	WS15X10041	RÉDUCTEUR DE DÉBIT	1	1
0023	WS22X10055	RACCORD DE RÉSERVOIR, TUYAU DE 3/8 PO	1	1
0027	WS22X10052	VIROLE, 1/4 PO (ENSEMBLE DE 2)	1	1
0028	WS22X10053	VIROLE, 3/8 PO (ENSEMBLE DE 2)	1	1
0029	WS18X10006	ADAPTATEUR DE TUYAU DE VIDANGE	1	1
0031	WS15X10049	RÉDUCTEUR DE DÉBIT, HAUT DÉBIT	-	-
0999	49-50261-1	MANUEL D'UTILISATION ET D'INSTALLATION	1	1

Garantie du système de filtration par osmose inversée de GE.



Tout service couvert par la garantie sera assuré par un réseau de réparateurs GE SmartWater™ accrédité. Pour obtenir du service, veuillez appelez sans frais au 800.GE.CARES (États-Unis) ou 866.777.7627 (Canada). Veuillez fournir le numéro de série et le numéro de modèle lorsque vous appelez pour obtenir le service.

Agrafez le reçu d'achat ici.
Pour obtenir le service sous garantie, vous devrez fournir la preuve de l'achat original.

Pour la période de : GE remplacera :

Un an
À partir de la date
d'achat original

Tout composant du système de filtration qui cessera de fonctionner à la suite d'un défaut matériel ou de fabrication. Au cours de cette **garantie limitée de une année**, GE assurera **sans frais** les travaux et le service connexe nécessaires pour remplacer la pièce défectueuse.

Ce qui n'est pas couvert :

- Les déplacements de service à domicile pour vous enseigner comment utiliser le produit.
- L'installation, la livraison ou l'entretien incorrects.
- Le non-fonctionnement du produit si celui-ci a été malmené, mal utilisé, utilisé dans un but autre que celui pour lequel il a été conçu ou utilisé pour une exploitation commerciale.
- L'utilisation de ce produit lorsque l'eau est microbiologiquement douteuse ou de qualité inconnue, sans désinfection adéquate. Les systèmes homologués pour la réduction de bactéries peuvent être utilisés avec de l'eau désinfectée pouvant contenir des bactéries filtrables.
- Les cartouches de filtre, les cartouches de membrane et les piles après trente jours à partir de la date d'achat.
- Les dommages causés par accident au produit, les incendies, inondations ou actes de Dieu.
- Les dommages fortuits ou indirects à la propriété personnelle résultant de défauts possibles de cet appareil.

EXCLUSION DE GARANTIES IMPLICITES – Votre seul et unique recours est la réparation du produit selon les dispositions de cette Garantie limitée. Toutes les garanties implicites, incluant les garanties de commercialité et d'adéquation à un usage spécifique, sont limitées à une année ou à la période la plus courte autorisée par la législation.

Cette garantie s'étend à l'acheteur initial et à tout propriétaire ultérieur pour les appareils achetés pour un usage au Canada ou aux États-Unis. Si le produit est installé dans une région où ne se trouve aucun réparateur autorisé GE, vous devrez peut-être assumer les frais de transport ou apporter expédier le produit à un centre de service autorisé GE. En Alaska, cette garantie exclut le coût d'expédition ou les appels de service à votre site.

Certains États ou provinces n'autorisent pas l'exclusion ou la restriction des dommages directs ou indirects. La présente garantie vous donne des droits juridiques particuliers, mais vous pouvez avoir d'autres droits qui varient d'un État ou d'une province à l'autre. Pour connaître vos droits, appelez le bureau de la protection du consommateur de votre localité, de votre État ou de votre province ou le procureur général de votre État.

Garant : General Electric Company. Louisville, KY 40225

Mesures de sécurité

Fonctionnement

Installation

Conseils de dépannage

Soutien au consommateur

Soutien au consommateur.



Site Web appareils électroménagers GE www.electromenagersge.ca

Vous avez une question ou vous avez besoin d'aide pour votre appareil électroménager? Contactez-nous par Internet au site www.electromenagersge.ca 24 heures par jour, tous les jours de l'année.



Service de réparations

1.800.561.3344

Service de réparations GE est tout près de vous.
Pour faire réparer votre électroménager GE, il suffit de nous téléphoner.



Studio de conception réaliste

Sur demande, GE peut fournir une brochure sur l'aménagement d'une cuisine pour les personnes à mobilité réduite.

Écrivez: Directeur, Relations avec les consommateurs, Mabe Canada Inc.
Bureau 310, 1 Factory Lane
Moncton, N.B. E1C 9M3

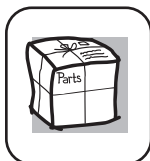


Prolongation de garantie

www.electromenagersge.ca

Achetez un contrat d'entretien GE avant que votre garantie n'expire et bénéficiez d'un rabais substantiel. Ainsi le service après-vente GE sera toujours là après expiration de la garantie.

Visitez notre site Web ou appelez-nous au **1.888.261.2133**.

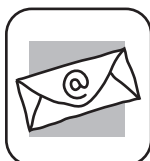


Pièces et accessoires

Ceux qui désirent réparer eux-mêmes leurs électroménagers peuvent recevoir pièces et accessoires directement à la maison (cartes VISA, MasterCard et Discover acceptées).

Les directives stipulées dans le présent manuel peuvent être effectuées par n'importe quel utilisateur. Les autres réparations doivent généralement être effectuées par un technicien qualifié. Soyez prudent, car une réparation inadéquate peut affecter le fonctionnement sécuritaire de l'appareil.

Vous trouverez dans les pages jaunes de votre annuaire le numéro du Centre de service Mabe le plus proche. Autrement, appelez-nous au 1.800.661.1616.



Contactez-nous

Si vous n'êtes pas satisfait du service après-vente dont vous avez bénéficié :

Premièrement, communiquez avec les gens qui ont réparé votre appareil.

Ensuite, si vous n'êtes toujours pas satisfait envoyez tous les détails—numéro de téléphone compris—au
Directeur, Relations avec les consommateurs, Mabe Canada Inc.
Bureau 310, 1 Factory Lane
Moncton, N.B. E1C 9M3



Inscrivez votre appareil électroménager www.electromenagersge.ca

Inscrivez votre appareil électroménager en direct, aussitôt que possible. Cela améliorera nos communications et notre service après-vente. Vous pouvez également nous envoyer par la poste le formulaire d'inscription joint à votre documentation.

La sección en Español.

Información de seguridad

Información de seguridad..... 56, 57
Pautas sobre las especificaciones..... 58

Instrucciones de operación

Sobre el sistema
de Ósmosis Inversa59, 60

Instrucciones de instalación

Herramientas y materiales requeridos61
Antes de empezar la instalación61, 62
Instalación de la ensambladura
del sistema de Ósmosis Inversa63
Suministro de agua de alimentación64-67
Ensambladura del grifo68, 69
Instalación de la batería69
Conexión del drenaje de filtración70, 71
Tanque de almacenamiento y arranque72

Cuidado y limpieza

Reemplazo del pre-filtro, post-filtro y
cartucho del sistema de Ósmosis Inversa73
Desinfección74
Kit de prueba del agua75

Consejos para la solución de fallas .76, 77

Soporte al consumidor

Garantía82
Lista de partes/Catálogo78, 79
Soporte al consumidor83



PXRQ15R y PNRQ15RBL se encuentran probados y certificados en cumplimiento con la Norma 58 y 42 de NSF/ANSI y CSA B483.1 para la reducción de las demandas según lo especificado en la Hoja de datos de funcionamiento.

Anote aquí los números de modelo de serie:

Modelo No. _____

Serie No. _____

Los podrá encontrar en el soporte del sumidero.

Seguridad

Operación

Instalación

Solucionar problemas

Soporte al consumidor

INFORMACIÓN DE SEGURIDAD IMPORTANTE. LEA TODAS LAS INSTRUCCIONES ANTES DE USAR.

INFORMACIÓN DE SEGURIDAD

Lea, comprenda y siga toda la información de seguridad incluida en estas instrucciones antes de instalar y utilizar los sistemas de ósmosis inversa de GE. Conserve estas instrucciones para referencia futura.

Uso previsto:

Los sistemas de ósmosis inversa de GE están diseñados para filtrar agua potable en aplicaciones residenciales, y no han sido evaluados para otros usos. El sistema se coloca típicamente en el lugar de uso, y debe instalarse según las especificaciones de las instrucciones de instalación. Comuníquese con un plomero profesional si no está seguro de cómo realizar la instalación.

	Éste es el símbolo de alerta de seguridad. Se utiliza para alertarlo sobre posibles riesgos de lesiones personales. Obedezca todos los mensajes de seguridad que siguen a este símbolo, a fin de evitar posibles lesiones o la muerte.
ADVERTENCIA	El símbolo de ADVERTENCIA indica una posible situación de riesgo que, si no se evita, podría resultar en la muerte o en lesiones graves.
PRECAUCIÓN	El símbolo de PRECAUCIÓN indica una posible situación de riesgo que, si no se evita, podría resultar en lesiones menores o moderadas.
PRECAUCIÓN	El símbolo de PRECAUCIÓN usado sin el símbolo de alerta de seguridad indica una posible situación de riesgo que, si no se evita, podría resultar en daños sobre la propiedad.



PRECAUCIONES DE SEGURIDAD

- Asegúrese de que el suministro de agua se adapte a las *Pautas sobre las especificaciones*. Si las condiciones del suministro de agua son desconocidas, contacte a su compañía de suministro de agua o a su departamento local de salud para obtener una lista de contaminantes en su área y de laboratorios certificados por el estado para analizar el agua de consumo.

ADVERTENCIA A fin de reducir el riesgo asociado con descargas: • No permita que los niños menores de tres años tengan acceso a las partes pequeñas durante la instalación de este producto.

ADVERTENCIA To reduce the risk associated with the ingestion of contaminants: Do not use with water that is microbiologically unsafe or of unknown quality without adequate disinfection before or after the system. Systems certified for cyst reduction may be used on disinfected water that may contain filterable cysts. EPA Establishment #10350-MN-005.

ADVERTENCIA Para reducir el riesgo asociado con voltaje peligroso provocado por un instalador que perfore el cableado eléctrico o tuberías de agua en el área de instalación:

- No instale en cercanía de cableado eléctrico o tuberías que podrían hallarse en el camino de la herramienta perforadora cuando seleccione la ubicación para montar el soporte del filtro.

ADVERTENCIA Para reducir el riesgo de lesiones físicas:

- Despresurice el sistema como se indica en el manual antes de quitar el cartucho.

ADVERTENCIA Para reducir el riesgo de lesiones físicas debido a una rotura del tanque hidroneumático:

- No instale si la presión de agua supera las 120 psi (827 kPa). Si su presión de agua supera las 80 psi (552 kPa), usted debe instalar una válvula limitadora de presión. Comuníquese con un plomero profesional si no está seguro de cómo controlar su presión de agua.
- No instale donde puedan ocurrir condiciones de golpes hidráulicos. Si existen condiciones de golpes hidráulicos, usted debe instalar un supresor de golpes hidráulicos. Comuníquese con un plomero profesional si no está seguro de cómo controlar esta condición.
- Cuando se instala un dispositivo contra reflujo en un sistema hidráulico, debe instalarse un dispositivo para controlar la presión debido a la expansión térmica.

ADVERTENCIA Para reducir el riesgo asociado con irritaciones provocadas por el metabisulfito de sodio durante una instalación:

- El metabisulfito de sodio (CAS 007681-57-4) se utiliza en una solución conservante al 1% dentro de la membrana de ósmosis inversa.
- No haga funcionar este sistema antes de que el tanque de ósmosis inversa se purgue como se indica en las instrucciones de instalación. Utilice protección ocular y facial durante la instalación.
- Para solicitar una MSDS (ficha de datos sobre seguridad de materiales) relacionada con este producto, llame al 203-238-8965 o visite la página Web http://solutions.3m.com/wps/portal/3m/en_us/msds (haga clic en búsqueda de MSDS). Por emergencias, llame al 800-364-3577 o 651-737-6501 (las 24 horas).

ADVERTENCIA Para reducir el riesgo asociado con la ingesta de agua contaminada con desinfectante:

- Después de la instalación, el desinfectante **DEBE** purgarse del sistema antes del primer uso como se indica en las instrucciones de instalación.

Este sistema se ha sometido a prueba para el tratamiento de agua que contiene arsénico pentavalente (también conocido como As(V), As(+5) o arsenato) en concentraciones de 0,050 mg/L o inferiores. Este sistema reduce el arsénico pentavalente, pero es posible que no elimine otras formas de arsénico. Este sistema es para uso en suministros de agua que contienen un residuo libre de cloro detectable o en suministros de agua que han demostrado contener únicamente arsénico pentavalente. El tratamiento con cloramina (cloro combinado) no es suficiente para garantizar una conversión completa de arsénico trivalente a arsénico pentavalente. Sírvase consultar la sección Información sobre el arsénico en la hoja de datos del desempeño para mayor información.

Este sistema de ósmosis inversa contiene un componente reemplazable que es crucial para la eficiencia del sistema. El componente de ósmosis inversa se debe reemplazar por uno de especificaciones idénticas, según lo define el fabricante, para garantizar la misma eficiencia, y el desempeño de reducción de contaminantes.



INSTALACIÓN Y MANTENIMIENTO ADECUADOS

Este sistema de Ósmosis Inversa debe ser instalado correctamente y ubicado según las Instrucciones de instalación antes de su uso.

- **Período prolongado sin uso del sistema de Ósmosis Inversa.** Si el sistema no es usado por una semana o más, abra el grifo de agua del sistema, permita que el sistema se drene. Cierre el grifo y permita que el sistema regenere el suministro de agua.
- La instalación recomendada es debajo del lavaplatos. Sin embargo, la unidad se puede instalar en una ubicación remota, hasta 20 pies de distancia del lavaplatos.
 - Sin embargo, serán necesarios materiales adicionales, incluyendo tuberías adicionales y cable telefónico de extensión. Este cable telefónico de extensión debe ser un cable de 6 conductores y conectores; un cable típico de 4 conductores no funciona. Consulte la lista de partes para obtener materiales adicionales de GE.
 - Localizar el tanque en el piso de un sótano, con el grifo de un lavaplatos de primer piso podría resultar en cierta pérdida de flujo y capacidad (aproximadamente 20%). Instalar un segundo tanque mejorará este desempeño. Se puede usar un RVKIT.
- Si el sistema de Ósmosis Inversa está conectado a la máquina de hielos de un refrigerador, se requiere de un kit para la conexión a la máquina de hielos (RV KIT). No utilice tubos de cobre para la conexión entre el sistema de Ósmosis Inversa y el refrigerador.
- Desinfecte después de instalar el sistema de Ósmosis Inversa y después de dar servicio a las partes interiores, incluyendo la reposición del pre-filtro, post-filtro y cartucho del sistema de Ósmosis Inversa. Es importante tener las manos limpias al manipular las partes internas del sistema. Consulte la sección *Desinfección del sistema de Ósmosis Inversa*.
- Este sistema de Ósmosis Inversa contiene un componente reemplazable crucial para la reducción eficaz de sólidos totales disueltos. El agua producida se debe revisar periódicamente para verificar el desempeño satisfactorio del sistema. Consulte la sección *Acerca del kit de prueba del agua*.

ASEGÚRESE QUE SEGUIR TODOS DE LOS CÓDIGOS DEL ESTADO Y LOCAL.

PRECAUCIÓN: Para reducir el riesgo asociado con daños a la propiedad provocados por pérdidas de agua:

- **Lea y siga** estas instrucciones antes de instalar y utilizar este sistema.
- La instalación y el uso **DEBEN** cumplir con todos los códigos de plomería estatales y locales
- **Protéjalo del congelamiento**, quite el cartucho del filtro cuando se espera que las temperaturas desciendan por debajo de 40° F (4.4°C).
- **No instale sistemas** en áreas donde las temperaturas ambiente puedan superar los 110° F (43.3° C).
- **No instale en líneas de suministro de agua caliente.** La temperatura máxima de operación de este sistema de filtro es de 100°F (37.8°C).

- **No instale** si la presión de agua supera las 120 psi (827 kPa). Si su presión de agua supera las 80 psi (552 kPa), usted debe instalar una válvula limitadora de presión. Comuníquese con un plomero profesional si no está seguro de cómo controlar su presión de agua.

- **No instale** donde puedan ocurrir condiciones de golpes hidráulicos. Si existen condiciones de golpes hidráulicos, usted debe instalar un supresor de golpes hidráulicos. Comuníquese con un plomero profesional si no está seguro de cómo controlar esta condición.

- Cuando se instala un dispositivo contra reflujo en un sistema hidráulico, debe instalarse un dispositivo para controlar la presión debido a la expansión térmica.

PRECAUCIÓN: Para reducir el riesgo asociado con daños a la propiedad provocados por pérdidas de agua:

- **No utilice** un soplete u otras fuentes de alta temperatura cerca del sistema de filtro, cartuchos, accesorios plásticos o tubería plástica.
- En los accesorios plásticos, nunca utilice un sellador de tuberías o grasa para rosca de tuberías. Sólo utilice cinta para rosas de PTFE; las propiedades de la grasa para rosca pueden deteriorar el plástico.
- Tenga cuidado al utilizar alicates o llaves de tubos para ajustar accesorios plásticos, porque pueden provocarse daños por un ajustamiento excesivo.
- **No instale** al rayo del sol directo o al aire libre.
- **No instale** en cercanía de tuberías de agua que podrían hallarse en el camino de la herramienta perforadora cuando seleccione la ubicación para montar el soporte.
- Instale el filtro en una posición en la que no pueda ser golpeado por otros elementos utilizados en el área de la instalación.
- Verifique que la ubicación y las sujeciones puedan sostener el peso del sistema cuando se halle instalado y lleno de agua.
- Verifique que todas las tuberías y accesorios estén firmes y libres de pérdidas.
- **No instale** la unidad si faltan las boquillas (piezas 27 y 28 de la página 78). Si faltan las boquillas de los accesorios, comuníquese con el 800.626.2002 (EE.UU.), 800.663.6060 (Canadá- Inglés), 800.362-3869 (Canadá-Francés) para solicitar repuestos.
- Cambie los cartuchos descartables de pre y post-filtro cada 6 meses, con la capacidad nominal o antes si ocurre una reducción notable del caudal de agua.
- Cambie el cartucho descartable de ósmosis inversa cada 24 meses o antes si ocurre una reducción notable en la eficiencia de filtrado.



**LEA Y SIGA CUIDADOSAMENTE ESTA INFORMACIÓN DE SEGURIDAD.
CONSERVE ESTAS INSTRUCCIONES**

Seguridad

Operación

Instalación

Solucionar problemas

Soporte al consumidor



Producto – altura 11" ancho 10,5" profundidad 4"

El sistema produce un suministro adecuado de agua potable cada día.
La cantidad que produzca dependerá principalmente de los siguientes aspectos...

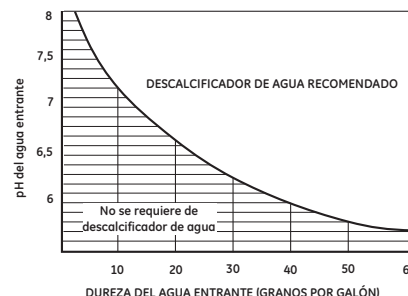
Límites de presión del agua de alimentación—libras por pulgada cuadrada (psi) .40–120^a

Límites de la temperatura del agua de alimentación—mínimo/máximo grados F .40–100

Máximo de sólidos totales disueltos (TDS)—partes por millón (ppm)2000

Dureza máxima del agua a 6,9 pH recomendado para optimizar la duración de la membrana—granos por galón (gpg)10

Para agua con dureza superior a 10 granos (a 6,9 pH), se recomienda el uso de un descalcificador. No instalar un descalcificador de agua reducirá la duración de la membrana de Ósmosis Inversa. Consulte la gráfica para información adicional sobre la posibilidad de necesitar un descalcificador de agua.



Turbidez máxima (NTU)<2

Máximo hierro, manganeso, sulfuro de hidrógeno (ppm)<0,1

Cloro en el suministro de agua2,0 ppm máximo, permitido^b

Límites del pH del agua de alimentación4–10

Capacidad del tanque de almacenamiento—galones4^c

Control de apagado automáticosí

Prefiltro y postfiltro(FQROPF) bloque de carbón

Membrana de Ósmosis Inversa(FQROMF) poliamida de película delgada

Dimensiones del tanque de almacenamiento (pulgadas)altura 15" diámetro 11"

Dimensiones del cuerpo del sistema (pulgadas)altura 11" ancho 10,5" profundidad 4"

- Si la presión del agua de la casa es superior a 120 psi, instale una válvula reductora de presión en la tubería de suministro del agua. Si la presión del agua de la casa es inferior a 40 psi, instale una bomba impulsora de Ósmosis Inversa (contáctese con la compañía local de suministros de plomería).
- Retirado (máximo de 2,0 ppm) por el prefiltro de Ósmosis Inversa. **SE REQUIERE MANTENIMIENTO REGULAR.** El cloro destruirá la membrana de Ósmosis Inversa.
- Capacidad teórica del tanque. Cuando se prueba de acuerdo con el estándar NSF/ANSI 58 a una presión de entrada de 50 psig, la capacidad del tanque es 2,3 galones.

Sobre el sistema de Ósmosis Inversa.

¿Qué hace el sistema de Ósmosis Inversa?

La ósmosis inversa reduce los Sólidos Disueltos Totales (TDS) y la materia orgánica del agua mediante la difusión a través de una membrana especial (ver Hoja de Datos de Desempeño). La membrana separa los minerales e impurezas del agua y los expulsa hacia el desagüe. Consulte la Hoja de datos de desempeño para la reducción de afirmaciones especificadas. El agua producida de alta calidad va directamente hacia el grifo de agua para consumo o hacia el tanque de almacenamiento. El sistema produce un buen suministro de agua para consumo cada día. La cantidad que produzca depende de la presión, temperatura y calidad del suministro de agua.

El pre-filtro y post-filtro son cartuchos reemplazables. El pre-filtro reduce el cloro al mismo tiempo que filtra los sedimentos. El post-filtro reduce cualquier otro sabor u olor no deseados antes de usar el agua.

El sistema incluye una ensambladura de grifo electrónico con un recordatorio de cambio de pre-filtro y post-filtro. Cuando hayan transcurrido 6 meses, una luz azul intermitente le recordará cambiar los dos filtros.

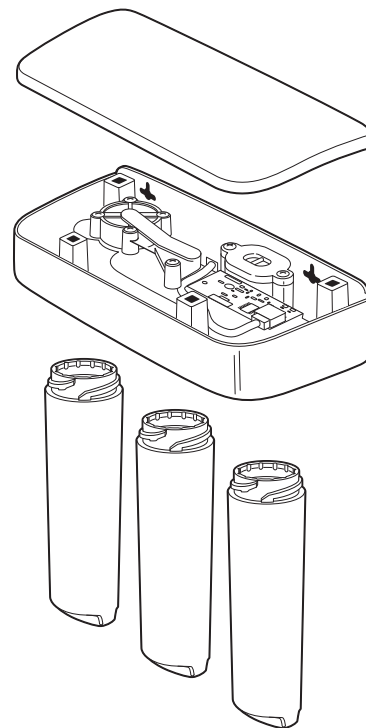
Descripción del sistema de Ósmosis Inversa

1 Pre-filtro—El agua de la tubería de suministro de agua fría llega al cartucho del pre-filtro. El pre-filtro es un cartucho de sedimentos reemplazable que contiene carbono activado. El pre-filtro reduce el sabor y olor a cloro del agua de suministro porque EL CLORO DESTRUYE LA MEMBRANA DE LA ÓSMOSIS INVERSA. El agua filtrada, limpia, con cloro reducido fluye desde el pre-filtro hacia el cartucho del sistema de Ósmosis Inversa.

2 Cartucho del sistema Ósmosis Inversa—El cartucho central incluye una membrana especial fuertemente envuelta. El agua penetra a través del cartucho donde la membrana retira los sólidos disueltos y la materia orgánica. El agua producida de alta calidad sale de la caja del sistema de Ósmosis Inversa y se dirige hacia el tanque de almacenamiento. El agua rechazada, con los sólidos disueltos y la materia orgánica, sale de la caja y se descarga en el drenaje a través de un tubo de 1/4".

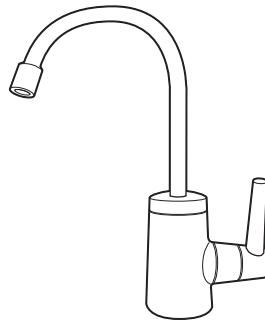
3 Post-filtro—Después de salir del área de almacenamiento, pero antes de ir hacia el grifo del sistema, el agua producida va hacia el post-filtro. El post-filtro es también un cartucho de sedimento que puede ser reemplazado que contiene carbono activado. Cualquier sabor, olor o sedimentos restantes son retirados del agua producida por el post-filtro. Agua limpia, de alta calidad, lista para tomar fluye a través del tubo hacia el grifo del sistema.

4 Tanque de almacenamiento—El área de almacenamiento tiene capacidad hasta de 2,5 galones de agua producida. Un diafragma al interior del tanque mantiene el agua presurizada, cuando el tanque está lleno, para un rápido flujo hacia el grifo cuando se necesite consumir agua.



- 5** **Válvula de revisión**—La válvula de revisión evita un flujo inverso del agua producida desde el tanque de almacenamiento. Un flujo inverso podría causar que la membrana del sistema de Ósmosis Inversa se rompiera.
- 6** **Válvula de apagado automático**—Para conservar el agua, el sistema de agua de consumo tiene un apagado automático. Cuando el tanque de almacenamiento ha llenado su capacidad y el grifo de agua de consumo está cerrado, la presión cierra el apagado automático. El flujo de agua hacia la caja del sistema de Ósmosis Inversa se apaga hasta que el agua de consumo se use nuevamente y la presión caiga en el sistema de Ósmosis Inversa.
- 7** **Control del flujo**—El control del flujo regula el flujo de agua a través del cartucho del sistema de Ósmosis Inversa al ritmo requerido para producir agua de alta calidad. El control está ubicado en la tubería de drenaje de 1/4" saliendo del múltiple.

- 8** **Grifos y electrónicos**—El grifo de la encimera dispensa agua potable filtrada cuando se abre. Tiene una palanca operada con las manos, con un ajuste de flujo variable. Usted puede mantener el grifo abierto removiendo sus manos de la palanca una vez el agua comience a fluir. Para cumplir con los códigos de plomería, se construye una tolerancia o huelgo de aire en la conexión de agua del drenaje del grifo.



El grifo electrónico incluye un temporizador de 6 meses para recordarle cuando es el momento de reemplazar el pre-filtro y el post-filtro. Reemplace los filtros cuando la luz azul se torne intermitente con el fin de proteger la membrana y mantener el sistema funcionando correctamente.

Instrucciones de instalación

Sistema de filtración de Ósmosis Inversa

Modelos PXRQ15R y PNRQ15RBL

Si tiene preguntas, llame al 1.800.GE.CARES (800.432.2737) o bien visite nuestra página Web: GEAppliances.com

⚠ ADVERTENCIA: Lea este manual en su totalidad. No seguir todas las pautas y normas podría causar lesiones personales o daños a la propiedad.

- Consulte con la autoridad de obras públicas estatal/local para los códigos de plomería. Deberá seguir estas pautas para instalar el sistema de filtración de agua.

NOTA: No cumplir con estas instrucciones de instalación invalidará la garantía del producto, el instalador será responsable por cualquier servicio, reparación o daños causados.

HERRAMIENTAS Y MATERIALES REQUERIDOS PARA LA INSTALACIÓN

- Taladro y broca de 1-1/4" para taladro (tipo según el requerido) si se necesita montar el grifo
- Dos (2) llaves abiertas ajustables
- Broca de 1/16"
- Cinta de medir
- Destornillador Phillips y recto
- Cuchillo
- Si la tubería principal del agua es rígida, necesitará un accesorio de compresión y posiblemente otros equipos de plomería para completar la instalación.

IMPORTANTE — Para evitar daños al lavaplatos, consulte con un plomero o instalador calificado para los procedimientos de perforación. Podría necesitar brocas especiales para porcelana o acero inoxidable.

ANTES DE EMPEZAR LA INSTALACIÓN

Lea estas instrucciones completa y cuidadosamente.

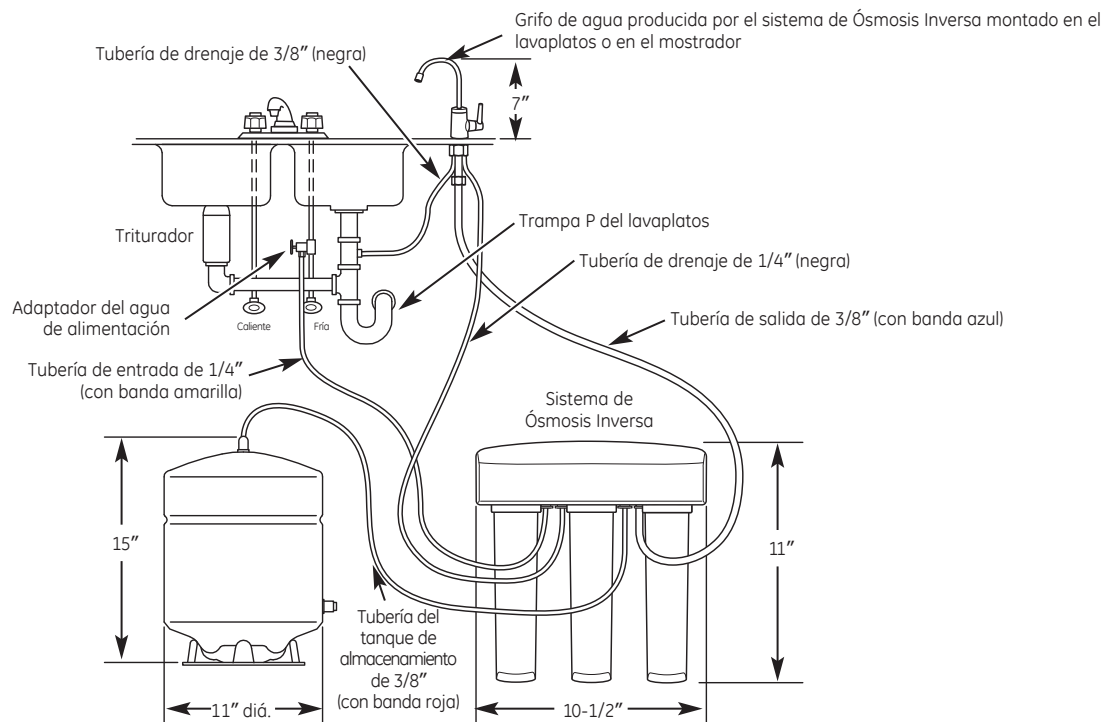
- **IMPORTANTE** — Guarde estas instrucciones para uso del inspector local.
- **IMPORTANTE** — Observe todos los códigos y ordenanzas vigentes.
- **Nota al instalador** – Asegúrese de dejar estas instrucciones al consumidor.
- **Nota al consumidor** – Conserve estas instrucciones para consultas posteriores.
- La instalación apropiada es la responsabilidad del instalador.
- Las averías del producto causadas por una instalación inadecuada no están cubiertas por la garantía.
- Debe existir una válvula de cierre disponible o se debe agregar una cerca al punto de instalación.

CONTENIDOS INCLUIDOS CON EL PRODUCTO

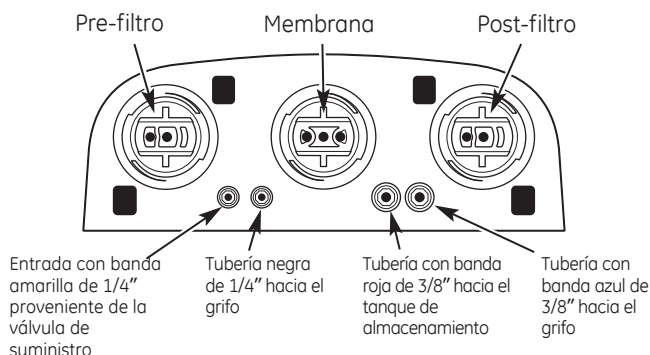
- Ensamblaje del sistema de Ósmosis Inversa y tubería
- Literatura sobre el producto (manual del propietario e instalación) y hoja de datos funcionamiento
- Bolsa de partes de la entrada del suministro de agua
- Adaptador de agua de alimentación
- Ensambladura del grifo con monitor electrónico de base y tubos
- Tanque de almacenamiento
- Adaptador de la tubería de drenaje

Instrucciones de instalación

Cosas a revisar antes de empezar la instalación



DETALLE DE LOS TUBOS/FILTRO



AGUA DE ALIMENTACIÓN

El suministro de agua hacia el sistema de Ósmosis Inversa debajo del mostrador debe tener las condiciones enumeradas en las especificaciones. Los suministros de agua locales con frecuencia tendrán estas condiciones. El agua de pozos puede necesitar acondicionamiento—haga que el agua sea analizada por un laboratorio y obtenga sus recomendaciones para tratamiento.

IMPORTANTE — Para aguas con una dureza mayor a 10 granos (a 6,9 pH), se recomienda el uso de un descalcificador. No instalar un descalcificador reducirá la vida del cartucho del sistema de Ósmosis Inversa.

CONEXIÓN DEL DRENAJE DE FILTRACIÓN

Un punto de drenaje adecuado y un vacío de aire (**consulte los códigos locales**) serán necesarios para el agua rechazada del cartucho de la membrana del sistema de Ósmosis Inversa.

GRIFO DEL SISTEMA DE OI

El grifo del agua producida por el sistema de Ósmosis Inversa se instala en el lavaplatos o en la parte superior del mostrador al lado del lavaplatos. Con frecuencia se instala en un orificio existente en el lavaplatos. Se requiere espacio en la parte de abajo para la tubería hacia y desde el grifo, y para asegurar el grifo en su lugar. Todos los conexiones del grifo se instalan sobre o por encima del lavaplatos o mostrador.

INSTALACIÓN EN SÓTANO

Si se va a instalar en un sótano, deje suficiente tubería en su lugar durante la instalación para poder mover la unidad hacia el piso para mayor facilidad en el servicio y hacer cambios al filtro/membrana. Tubería y accesorios adicionales se necesitarán.

NOTA: Consulte el catálogo de partes en la página 78 que podrían ser necesarias para una instalación en el sótano.

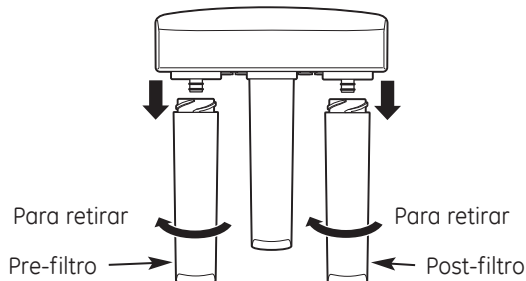
Instrucciones de instalación

ENSAMBLADURA DEL SISTEMA DE ÓSMOSIS INVERSA

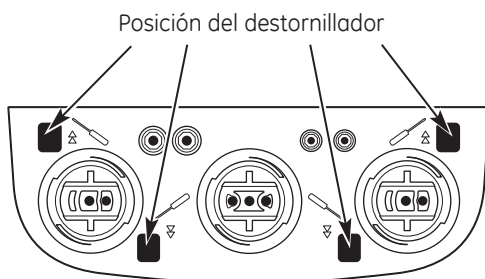
INSTALACIÓN DEL SISTEMA DE MONTAJE

Elija una ubicación debajo del lavaplatos para instalar el sistema. La ubicación debe ser de fácil acceso, con el espacio necesario entre el fondo de los cartuchos de filtro y el piso o el fondo del gabinete para retirar los cartuchos del filtro. Deje suficiente espacio en ambos lados del sistema para las conexiones de los tubos.

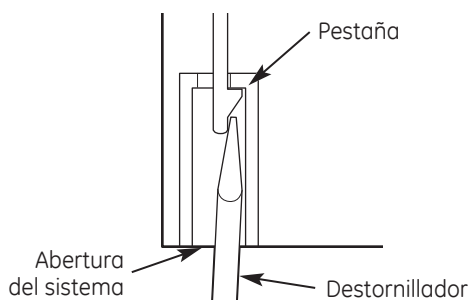
1. Retire los cartuchos de pre-filtro y post-filtro.



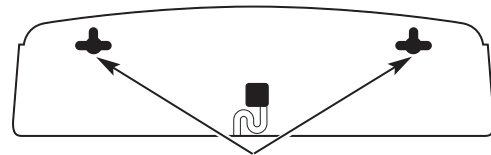
2. Retire la tapa de la ensambladura desenganchando las 4 pestañas en la tapa que la unen al sistema.
3. Use un destornillador de cabeza plana para trabajar de izquierda a derecha desde la parte inferior lateral del sistema.



4. Use los símbolos en la parte inferior del sistema para encontrar la posición del destornillador.

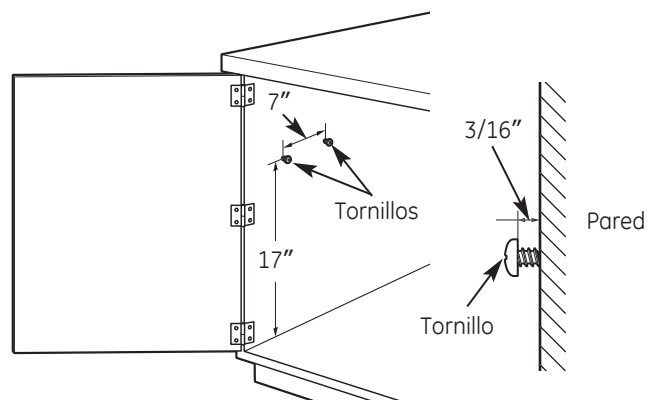


5. Sostenga la ensambladura del sistema de Ósmosis Inversa en la superficie de la pared en donde lo quiera a instalar. Marque la ubicación de los tornillos. Debe haber un espacio mínimo de 17" entre las marcas y el fondo del piso del gabinete.



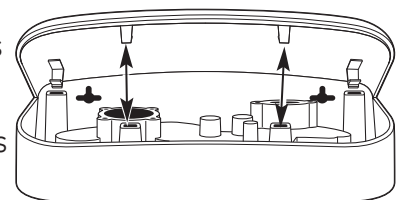
IMPORTANTE — No permita que la suciedad entre al área de la ensambladura. Use sólo para marcar la ubicación de los orificios de montaje.

6. Instale los tornillos hacia la pared, dejando un espacio de 3/16" entre la cabeza del tornillo y la pared (perfore orificios pilotos si son necesarios)

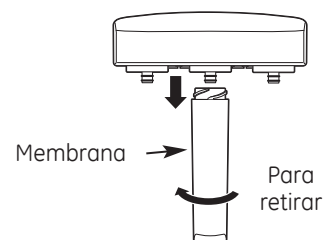


7. Cuelgue la ensambladura del sistema de Ósmosis Inversa en los tornillos. Apriete o afloje los tornillos según lo desee hasta que el sistema esté firme en la pared.

8. Para instalar la tapa, alinee las pestañas delanteras de la tapa con las aberturas en el sistema.



9. Encaje la tapa en su lugar; las pestañas se flexionarán permitiendo que la tapa encaje correctamente.



10. Retire el cartucho de membrana.

Instrucciones de instalación

SUMINISTRO DE AGUA DE ALIMENTACIÓN

Revise y cumpla con los códigos locales de plomería al planear, luego instale un accesorio de suministro de agua de alimentación fría.

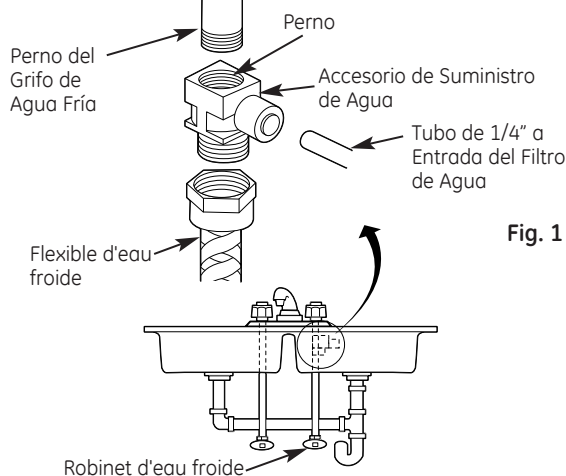
A. INSTALACIÓN PREFERIDA

Uso de la válvula de suministro de agua del fregadero de la cocina y de la tubería extraíble del grifo. En la ilustración que aparece a continuación se muestra una conexión típica usando el accesorio para el suministro de agua incluido.

1. Cierre la válvula de agua que se encuentra inmediatamente en frente del tubo de suministro y abra los grifos para dejar correr agua de la tubería de agua fría del lavabo.
2. Retire la tuerca que conecta el grifo de agua fría al tubo de suministro. Es posible que se derrame un poco de agua.

NOTAS:

- Asegúrese de cerrar el suministro de agua y abra el grifo para drenar la tubería.
- Asegúrese que esté instalada la junta en el accesorio de suministro de agua.



3. Ajuste en forma manual el accesorio de suministro de agua fría en el grifo de agua fría. Asegúrese que el perno, como se muestra, esté en su lugar antes del ensamble final. Termine de colocar con una llave de ajuste. **Asegúrese de no forzar ni presionar por demás a fin de evitar dañar la rosca.** Asegúrese que la conexión rápida de 1/4" no esté contra una pared que haga que la conexión del tubo de suministro se tuerza. Es posible que se necesite presionar o aflojar el adaptador con un cuarto de giro a fin de evitar esto.
4. Vuelva a conectar la tubería del grifo al accesorio.
5. Instale la tubería. (Consulte la sección de *Instalación de la Tubería*.)

B. INSTALACIÓN OPCIONAL - 1

Utilizando la válvula existente de suministro de agua del lavaplatos de la cocina (A) y la tubería desmontable del grifo (B).

1. Consulte la ilustración a continuación para la ensambladura completa dependiendo del tamaño de la válvula de suministro (A).
2. Cierre la válvula de suministro de agua fría (A) debajo del tanque.
3. Destornille la tubería flexible (B) de la válvula de suministro (A) que se conecta con la tubería de subida del agua FRÍA.

NOTA: Para tubería rígida, consulte

D. INSTALACIÓN OPCIONAL DE TUBERÍA RÍGIDA en la página 65.

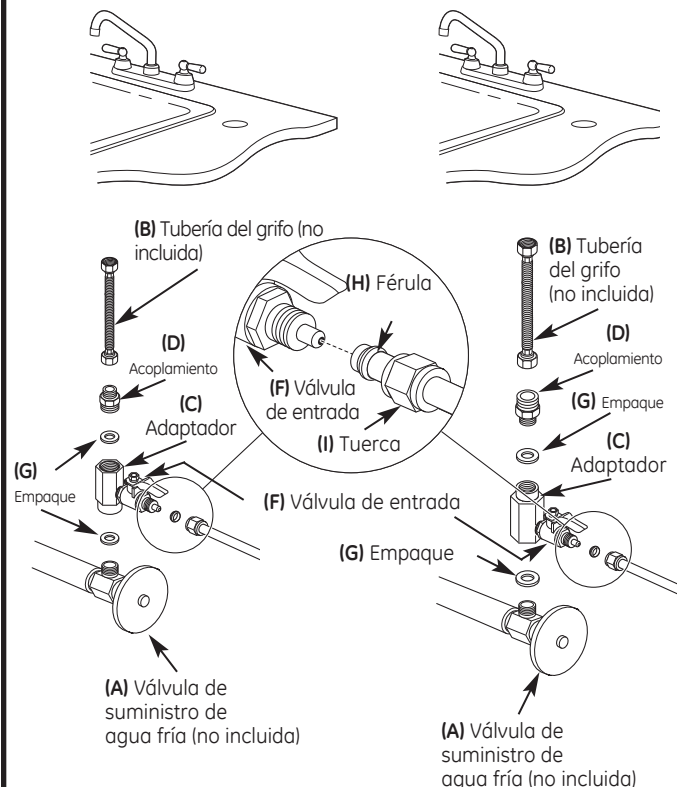
Note la orientación del adaptador (C):

Instalación de 3/8"—El extremo redondeado del adaptador (C) se conecta con la válvula de suministro (A).

Instalación de 1/2"—El extremo redondeado del adaptador (C) se conecta al acoplamiento (D), luego a la tubería existente del grifo (B).

Para plomería de 3/8"

Para plomería de 1/2"



Instrucciones de instalación

SUMINISTRO DE AGUA DE ALIMENTACIÓN (cont.)

B. INSTALACIÓN OPCIONAL - 1 (cont.)

4. Ensamble el adaptador (C) y el acoplamiento (D) como se muestra en la ilustración de la izquierda, según su configuración. Verifique que el empaque (G) esté en su lugar antes de la ensambladura final. Empiece la instalación a mano, luego termine de apretar con una llave ajustable. **Tenga cuidado de no apretar en exceso o cruzar las roscas ya que se podrían dañar.**
5. Apriete a mano el adaptador ensamblado (C) en la válvula de suministro (A) para la instalación del tamaño correcto. Cerciérese de que el empaque (G) esté en su lugar antes de la ensambladura final. Empiece la instalación a mano, luego termine de apretar con una llave ajustable. **Tenga cuidado de no apretar en exceso o cruzar las roscas ya que se podrían dañar.**
6. Vuelva a conectar la tubería del grifo (B), en la parte superior del adaptador (C).

NOTA: Si es necesario retirar la válvula de entrada (F) para la instalación, consulte la sección E. *Cómo retirar y volver a instalar la válvula de entrada* en la pagina 65.

7. Corte las ataduras en los rollos de tubería con cuidado de no dañar los tubos o las partes si utiliza un cuchillo.
8. Retire la tuerca de 1/2" (I) y la férula (H) del extremo de la válvula de entrada. Usando la tubería de banda amarilla que se suministra, coloque la tuerca (I) y la férula (H) en la tubería e instale en la válvula de entrada (F) como se muestra a la izquierda. Apriete con la llave ajustable. **Tenga cuidado de no apretar en exceso o cruzar las roscas ya que se podrían dañar.**

NOTA: Inspeccione los extremos de las tuberías antes de la instalación para verificar que no haya imperfecciones y que el extremo de la tubería se corte recto. Podría ser necesario cortar la tubería nuevamente.

C. INSTALACIÓN OPCIONAL - 2

Donde los códigos lo permitan
(Partes adicionales necesitarán)

***Para tubería metal de 1/2" DE o más largo únicamente.**

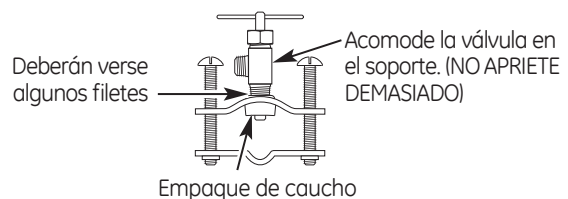
NOTA: Los códigos en el estado de Massachusetts requieren la instalación por parte de un plomero certificado y no permiten el uso de la válvula de montura. Para la instalación, use el código de plomería 248-CMR de Massachusetts.

La válvula de montura está disponible a través de Partes y Servicios de GE en el 1.800.626.2002, número de parte WS15X10023. No se recomiendan las válvulas de monturas de auto perforación.

1. Apague el suministro de agua fría y anexe la válvula de montura según sea necesario de acuerdo con la selección del producto. (Cerciérese de seguir las instrucciones de instalación del fabricante).

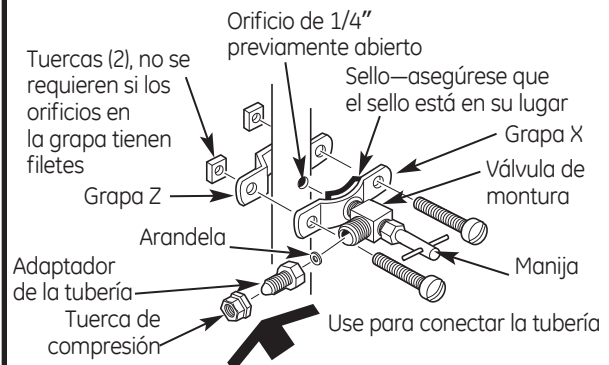
⚠ PELIGRO: Muchas casas se conectan electrónicamente a tierra a través de la plomería. Para protegerse de lesiones serias o de choques fatales, use únicamente un taladro manual operado con baterías para abrir el orificio. **NO USE UN TALADRO ELÉCTRICO.**

2. Cierre la válvula de suministro de agua girando la manija en el sentido del reloj.
3. Abra la válvula principal de suministro del agua y varios grifos de la casa para purgar aire del sistema. Cierre los grifos cuando el agua corra suavemente.



Conexión opcional del suministro de agua (usando válvula de montura)*

***Para tubería metal de 1/2" DE o más largo únicamente.**



Instrucciones de instalación

D. INSTALACIÓN OPCIONAL DE TUBERÍA RÍGIDA

Para instalación con tubería rígida entre la válvula de suministro y el grifo del lavaplatos.

Opción 1

1. Retire el tubo de la válvula de suministro y del grifo de lavaplatos.
2. Obtenga un tubo flexible de acuerdo con el tamaño de la tubería.
3. Instale el tubo flexible.
4. Regrese al paso 4, A. *Instalación preferida.*

Opción 2

1. Obtenga accesorios de compresión que se ajusten a la tubería rígida.
2. Obtenga cualquier otro accesorio necesario para conectar los accesorios de compresión al adaptador.

NOTA: El adaptador tiene roscas internas y externas de 1/2" y 3/8".

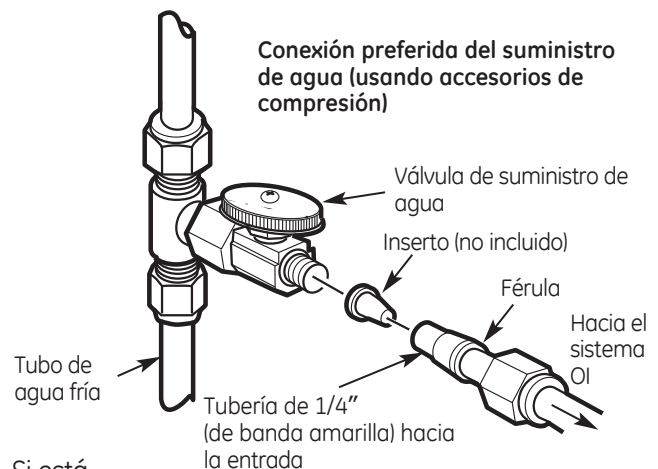
3. Retire el tubo de la válvula de suministro.
4. Corte el tubo para que se ajuste a la longitud de los accesorios ensamblados y al adaptador.
5. Instale el accesorio de compresión en el tubo.
6. Regrese al paso 4, A. *Instalación preferida.*

NOTA: Los materiales que se describen anteriormente no vienen incluidos con el producto.

E. INSTALACIÓN EN UNA UBICACIÓN REMOTA

(requiere partes adicionales)

1. Cierre el suministro de agua fría.
2. En cumplimiento con los códigos de plomería, instale un accesorio en el tubo de agua fría para adaptar una tubería de 1/4" DE. En la ilustración abajo se muestra una conexión típica. Verifique que se utiliza una válvula de suministro de agua.
3. Si la unidad de Ósmosis Inversa se va a instalar a más de 6 pies de la válvula, reemplace la tubería con banda amarilla con tubería GE de mayor longitud de 1/4". Puede adquirir una longitud de 33 pies de tubería de 1/4" a través de Partes y Servicios de GE en el 1.800.626.2002, número de parte WS07X10018. **NO REEMPLACE CON TUBERÍA DE CALIDAD DESCONOCIDA.**
4. Si la unidad de Ósmosis Inversa se va a instalar a más de 6 pies del grifo, reemplace la tubería con banda azul con tubería GE de mayor longitud de 3/8". Puede adquirir una longitud de 33 pies de tubería de 3/8" a través de Partes y Servicios de GE en el 1.800.626.2002, número de parte WS07X10019. Consulte la sección Instalación del grifo en la página 67 para mayores detalles. **NO REEMPLACE CON TUBERÍA DE CALIDAD DESCONOCIDA.**



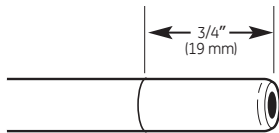
Si está utilizando tubería de cobre, **NO** los conecte directamente en la unidad de Ósmosis Inversa. Adquiera un conector y utilice una longitud corta de la tubería con banda amarilla que se suministra para hacer la conexión final hacia el sistema de Ósmosis Inversa. No utilice tubería de cobre para conectar a la máquina de hielos o al grifo.

Instrucciones de instalación

SUMINISTRO DE AGUA DE ALIMENTACIÓN (cont.)

CÓMO INSTALAR LA TUBERÍA AL TANQUE Y AL GRIFO

1. Mida $3/4''$ a partir del extremo de cada pedazo de tubería restante (el extremo del grifo y el extremo de entrada) y marque con un lápiz. (Inspeccione y cerciórese de que la superficie está redonda, suave, y que no hay cortes, pinchaduras, rebabas cortantes y puntos planos).

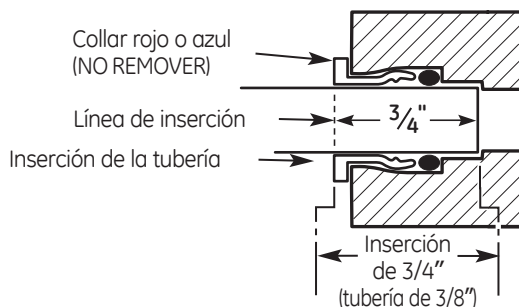


INCORRECTO



2. Empuje la tubería con firmeza hacia cada accesorio en el colector hasta que la línea esté al ras con el collarín de ajuste. (Si la tubería se remueve, corte el extremo otra vez, midiendo, marcando y reinsertando). La tubería debe estar totalmente insertada para evitar fugas.

Para remover la tubería: depresione y sostenga depresionado el collar rojo o azul; tire del tubo para remover.



3. Tire de la tubería hacia afuera ligeramente para asegurarse de que existe un buen sello.

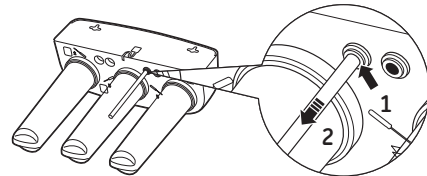
PROCEDIMIENTO DE REEMPLAZO DEL ESTRANGULADOR DE FLUJO

Cada vez que el cartucho de Osmosis Inversa se cambia, usted necesitará reemplazar el estrangulador de flujo en la tubería de drenaje también.

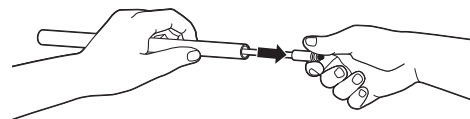
Asegúrese de lavarse las manos antes de manejar partes internas del sistema.

PROCEDIMIENTO DE REEMPLAZO DEL ESTRANGULADOR DE FLUJO (cont.)

1. Remueva la tubería de drenaje empujando en el collar de la tubería de drenaje con una mano (1) y removiendo la tubería de drenaje con la otra mano (2).

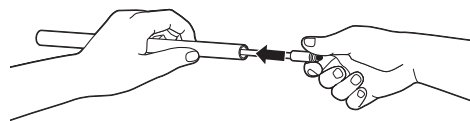


2. Una vez la tubería de drenaje se haya removido de la base del sistema, agarre el extremo del estrangulador de flujo y tire de él directamente hacia afuera a partir de la tubería*. Si el estrangulador es difícil de remover a mano, es posible que usted necesite pinzas para agarrar el extremo del estrangulador y auxiliarse en extraerlo.

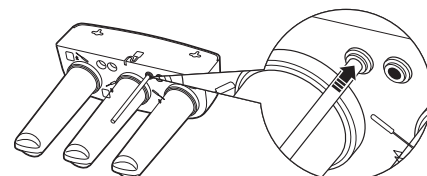


*En algunos casos, el estrangulador podría deslizarse hacia afuera de la tubería de drenaje conforme se remueve del portal de la tubería de drenaje. Si, después de remover la tubería de drenaje como se describe en el Paso 1, el estrangulador ya no está en el extremo de la tubería, inspeccione el portal de la tubería de drenaje. Remueva el estrangulador del portal y proceda al Paso 3.

3. Tome el estrangulador nuevo y deslícelo de regreso en la tubería de drenaje. Inserte el estrangulador usando sus manos solamente. No use pinzas para insertarlo. Asegúrese de insertar el estrangulador hasta el máximo. No hacerlo podría resultar en una operación inapropiada del sistema OI.



4. Reinstale la tubería de drenaje en la base del sistema. Tire ligeramente de la tubería para asegurarse de que el collar está ajustado y que existe un agarre apropiado en la tubería.



Instrucciones de instalación

ENSAMBLADURA DEL GRIFO

INSTALACIÓN DEL GRIFO

Cerchiórese de que haya suficiente espacio debajo y encima del lavaplatos para realizar la conexión necesaria. Antes de empezar, cerchiórese de que haya suficiente espacio para la base del grifo y la unidad. Seleccione uno de los siguientes lugares para instalar el grifo:

- En un orificio accesorio rociador existente en el lavaplatos u orificio de dispensador de jabón.
- En un orificio a perforar en la parte superior del lavaplatos.
- En un orificio a perforar en el mostrador, al lado del lavaplatos.

NOTAS:

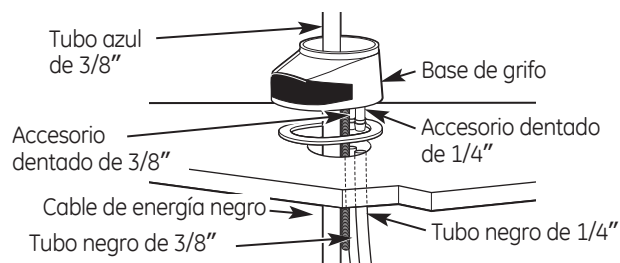
- Cerchiórese de que la base del grifo quede plana contra la superficie en la ubicación seleccionada de manera que el empaque de abajo entre la base y el área de la superficie quede sellado.
- Asegúrese de dejar suficiente espacio libre en la parte trasera del grifo en caso de que necesite quitarlo.

Pasos para la instalación (ver ilustración de abajo para mayor clarificación)

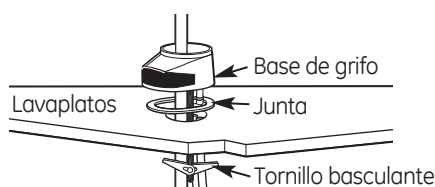
- Si es necesario perforar, haga un orificio de 1-1/2" de diámetro. **Cerchiórese de utilizar el procedimiento correcto para perforar porcelana o acero inoxidable. Podría necesitar brocas adicionales. Consulte a un plomero calificado para el procedimiento correcto.**

NOTA: Cuando realice perforaciones en acero inoxidable, los bordes pueden ser filosos y podrían perforar el tubo. Tenga cuidado de no cortarse o dañar el tubo.

- Quite el cuerpo del grifo y la base girando la base en sentido contrario de las agujas del reloj.
- Presione el tubo negro de 1/4" y el tubo negro de 3/8" sobre de los accesorios dentados correctos de la base del grifo. Presione el tubo azul de 3/8" y el cable de energía negro (cable de teléfono) a través de la base.

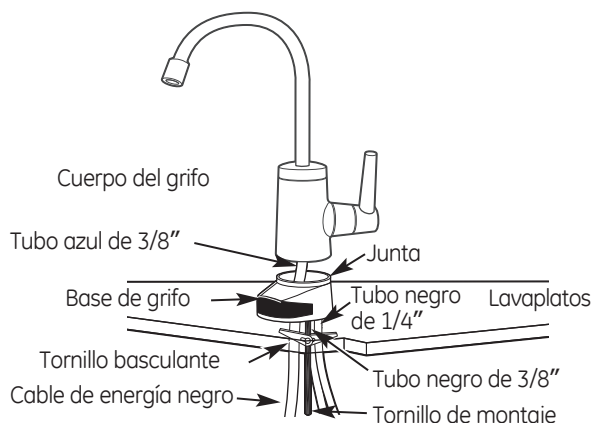


- Alinee la junta para cubrir el orificio por completo. Luego coloque el tornillo basculante de la base dentro del orificio.



INSTALACIÓN DEL GRIFO (CONT.)

- Ajuste el tornillo basculante hasta que la base esté bien fija en su lugar y no se desplace o gire.
- Presione el tubo azul de 3/8" hacia arriba para conectarlo al accesorio en la parte inferior del cuerpo del grifo. Debe ingresar alrededor de 3/4". Tire del tubo ligeramente para asegurar que esté bien conectado.



- Presione el cuerpo del grifo dentro de la base del grifo y gire el grifo en 1/8 de giro en sentido contrario a las agujas del reloj hasta que se detenga en su lugar.

NOTA: El grifo puede instalarse de modo tal que la manija quede del lado derecho o del izquierdo.

Si desea la manija del grifo sobre la derecha, coloque la manija en el lado frontal derecho de la base antes de dar un giro de 1/8 en sentido contrario a las agujas del reloj.

Si desea la manija del grifo sobre la izquierda, coloque la manija en el lado trasero izquierdo de la base antes de dar un giro de 1/8 en sentido contrario a las agujas del reloj.

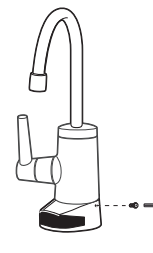


Manija del grifo sobre la DERECHA



Manija del grifo sobre la IZQUIERDA

- Ubique el orificio en la parte trasera de la base. Introduzca el tornillo y comience a ajustar a mano. Termine de ajustar utilizando la llave Allen provista con el paquete. **NO AJUSTE DE MÁS.**



Instrucciones de instalación

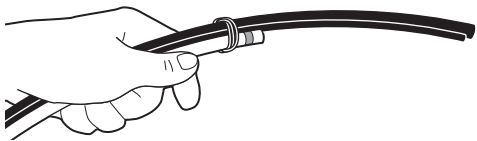
ENSAMBLADURA DEL GRIFO (cont.)

INSTALACIÓN OPCIONAL DE LA TUBERÍA DEL GRIFO POR UNA SOLA PERSONA

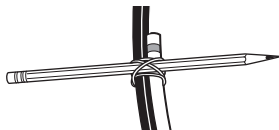
1. Desde la parte inferior del lavaplatos, reúna la tubería de drenaje (negra) de 1/4", la tubería de drenaje (negra) de 3/8" y la tubería de salida (con banda azul) de 3/8" en una mano con las tuberías de drenaje de la misma longitud y la tubería de salida corrida aproximadamente 6".



2. Envuelva un caucho o hule alrededor de los tres tuberías.



3. Inserte un lápiz No. 2 a través del caucho o hule.



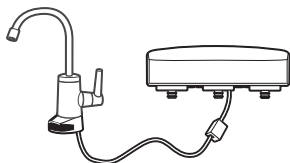
4. Rote el lápiz hacia abajo hasta que esté en línea con la tubería y empuje hacia arriba a través del orificio de montaje. Libere la presión sobre el lápiz y los tubos permanecerán en posición para una más fácil conexión del grifo.



INSTALACIÓN DEL CABLE ELÉCTRICO

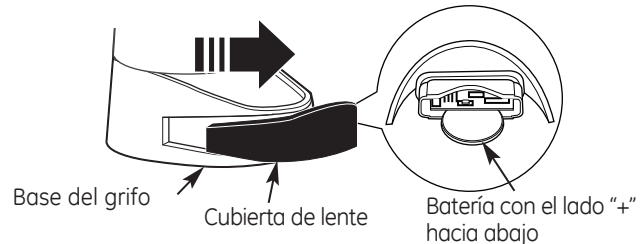
Conecte el cable eléctrico desde el grifo al tomacorriente de unión en la ensambladura del sistema de Ósmosis Inversa.

NOTA: Si se requiere un cable de extensión para una ubicación remota, este cable de extensión debe ser un cable de 6 conductores y conectores; un cable típico de 4 conductores no funcionará.



INSTALACIÓN DE LA BATERÍA

1. Quite la cubierta de lente de la base del grifo. Apriétela de ambas caras y tire adelante.
2. Instale una batería 3V CR2032 con el lado "+" hacia abajo dentro de la bandeja de la batería. Deslice la bandeja de la batería por completo dentro de la base.



3. Cada luz se iluminará en secuencia dos veces. La luz de OK (verde) o la luz del filtro (ámbar) pueden quedar encendidas durante unos segundos extra. Si usted desea reiniciar la secuencia de encendido, quite la batería durante 90 segundos para que los elementos electrónicos se reconfiguren por completo, y luego vuelva a colocar la batería.
4. La luz de OK (verde) normalmente destella una vez por segundo cuando se sirve agua. Si el sistema necesita servicio técnico, las luces de filtro o de R.O. (ámbar) destellarán una vez por segundo mientras se sirve agua y se iluminarán en forma aleatoria cuando no esté en uso.

NOTA: Para que las luces cambien entre OK y R.O., el sistema debe detectar un cambio en el proceso de filtrado durante 25 segundos consecutivos. Por ejemplo, si el sistema indicaba la necesidad de servicio técnico, le tomará al sistema 25 segundos consecutivos de filtrado para confirmar que se han realizado los cambios de servicio correctos.

PARA CAMBIAR EL FILTRO: Reemplace la batería cuando cambie el filtro. Quite la batería usada y espere 90 segundos antes de instalar la batería nueva para garantizar una reconfiguración adecuada de los elementos electrónicos para los 6 meses siguientes.

Instrucciones de instalación

CONEXIÓN DEL DRENAJE DE FILTRACIÓN

Revise y cumpla con todos los códigos estatales y locales de plomería.

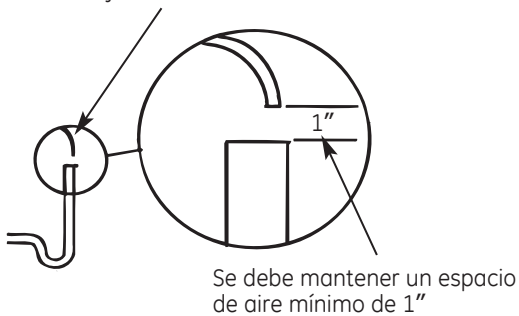
⚠ PRECAUCIÓN: Las opciones detalladas a continuación son las ÚNICAS configuraciones aprobadas para instalación. No use ningún dispositivo de montura de drenaje.

NOTA: No cumplir con estas instrucciones de instalación invalidará la garantía del producto, y el instalador será responsable por cualquier servicio, reparación o daños causados.

INSTALACIÓN PREFERIDA: OPCIÓN A—INSTALACIÓN DE ACCESO AL SÓTANO

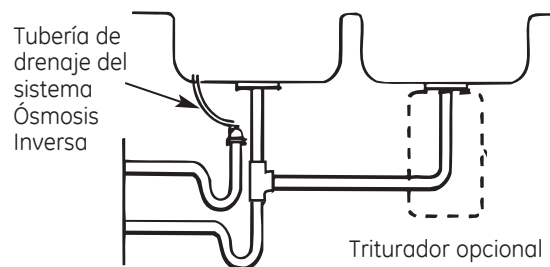
Enrute la tubería de drenaje (negro, 1/4") DIRECTAMENTE desde el sistema de Ósmosis Inversa hacia una torre depósito en el sótano, pasando el vacío de aire provisto en el grifo. La instalación del vacío del aire se deja a discreción del instalador. El tubo de drenaje puede también ser enrutado en el sótano hacia un drenaje del piso o tina de lavar, siempre y cuando el vacío de aire en el sótano se mantenga. Existen accesorios especiales de vacío del aire para conectar el tubo de drenaje a la parte superior de la torre depósito.

Tubería de drenaje del sistema de Ósmosis Inversa



INSTALACIÓN PREFERIDA: OPCIÓN B—INSTALACIÓN DE VENTILACIÓN SECA Y TRAMPA EN P

Instale una trampa en P con ventilación seca debajo del lavaplatos para usar exclusivamente en la tubería de drenaje del sistema de Ósmosis Inversa. Una trampa en P con ventilación seca es una que tiene su propia ventilación/ conducto vertical. Una el adaptador de la tubería de drenaje a la trampa en P y asegúrelo con la tuerca y arandela como se muestra. La tubería de drenaje se DEBE dirigir a través del vacío de aire dispuesto en el grifo de agua del sistema de Ósmosis Inversa.

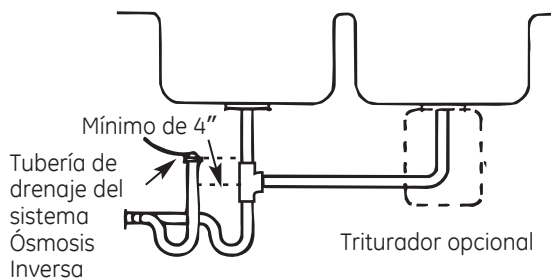


Instrucciones de instalación

CONEXIÓN DEL DRENAJE DE FILTRACIÓN (cont.)

INSTALACIÓN PREFERIDA: OPCIÓN C—INSTALACIÓN DE VENTILACIÓN HÚMEDA Y TRAMPA EN P

Instale una trampa en P debajo del lavaplatos para usar exclusivamente en la tubería de drenaje del sistema de Ósmosis Inversa. Una trampa en P con ventilación húmeda es una que comparte una ventilación común. Una el adaptador de la tubería de drenaje a la trampa en P y asegúrelo con la tuerca y arandela como se muestra. La tubería de drenaje se DEBE dirigir a través del vacío de aire dispuesto en el grifo de agua del sistema de Ósmosis Inversa. Localice la trampa en P del sistema de Ósmosis Inversa lo más alto posible (mínimo 4" por encima de forma horizontal).



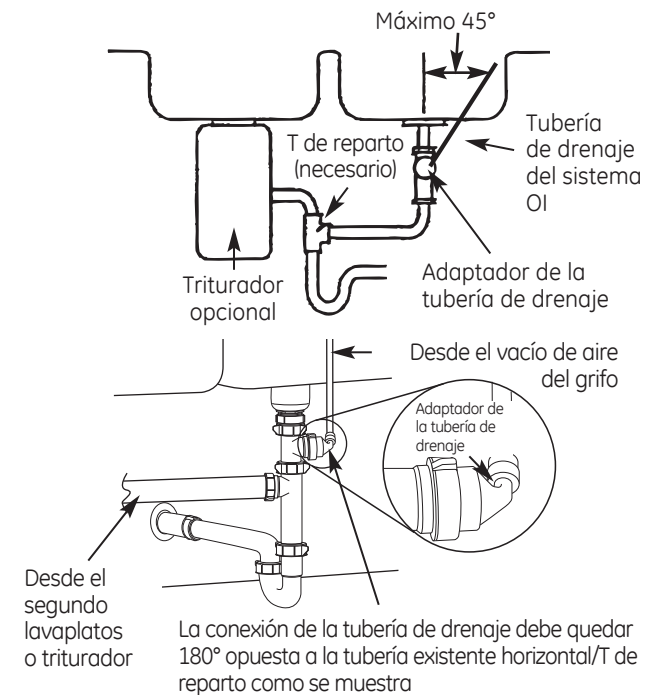
INSTALACIÓN SECUNDARIA: OPCIÓN D—INSTALACIÓN DEL ADAPTADOR DE LA TUBERÍA DE DRENAJE

⚠ PRECAUCIÓN: El uso de la opción D podría resultar en una obstrucción bajo condiciones adversas y requiere inspección/limpieza por parte del usuario.

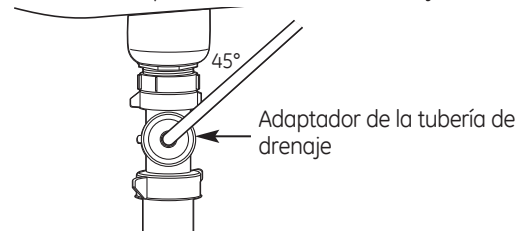
NO INSTALE LA TUBERÍA DE DRENAJE EN FORMA DESCENDENTE A PARTIR DEL TRITURADOR O EN UNA TUBERÍA HORIZONTAL.

INSTALACIÓN SECUNDARIA: OPCIÓN D—INSTALACIÓN DEL ADAPTADOR DE LA TUBERÍA DE DRENAJE (cont.)

Instale el adaptador de la tubería de drenaje debajo del lavaplatos como se muestra (partes incluidas). Se debe instalar una T de reparto como se exhibe para evitar una obstrucción en la tubería de drenaje del sistema de Ósmosis Inversa. Dirija la tubería de drenaje desde el vacío de aire hacia el adaptador de la tubería de drenaje, asegurándose de que no haya caídas, vueltas o puntos bajos en la tubería. El adaptador de la tubería de drenaje se debe alinear verticalmente de manera que los puntos de conexión de la manguera estén hacia arriba (la conexión de la manguera nunca debe caer por debajo de los 45 grados de esta posición vertical). Esta instalación PODRÍA resultar en un ruido ligero del drenaje en el lavaplatos cuando el sistema de Ósmosis inversa esté regenerando. Si esto ocurre, simplemente coloque la tapa de drenaje del lavaplatos en el sumidero para eliminarlo.



Orientación correcta del adaptador de la tubería de drenaje

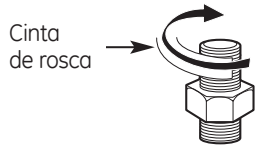


Instrucciones de instalación

TANQUE DE ALMACENAMIENTO Y ARRANQUE

INSTALACIÓN DEL TANQUE DE ALMACENAMIENTO

1. Retire la tapa protectora del tanque.
2. Aplique 2-3 vueltas de cinta, en dirección del reloj, a las roscas del tanque.
3. Instale los accesorios de presión para conectar en el accesorio enroscado del tanque como se muestra.
4. Empuje la tubería de banda roja de 3/8" desde el sistema de Ósmosis Inversa hacia el accesorio en el tanque de almacenamiento.



PROCEDIMIENTO PARA EL ARRANQUE DEL SISTEMA

IMPORTANTE — Si se está instalando la unidad en una construcción nueva, verifique que la plomería de la casa se purgue completamente antes de abrir la válvula de suministro.

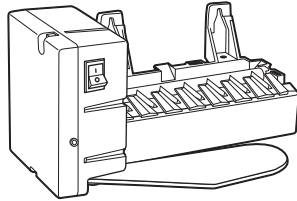
1. Verifique que todas las conexiones de la tubería estén seguras.
2. Encienda la válvula de suministro del agua de alimentación.
3. Verifique todos los puntos de conexión en busca de fugas.
4. Siga los procedimientos de desinfección de la página 74.
5. Después de completar la desinfección, vuelva a instalar el pre-filtro, post-filtro y cartuchos de Ósmosis Inversa.
6. La membrana contiene un preservativo de grado de alimentos. Permita que el sistema llene el tanque, luego drénelo completamente 4 veces antes de usar el agua del sistema.
7. Vuelva a revisar todos los puntos de conexión de agua unos días después en busca de fugas pequeñas.

Procedimiento de reemplazo del pre-filtro, post-filtro y cartucho de membrana del sistema de Ósmosis Inversa

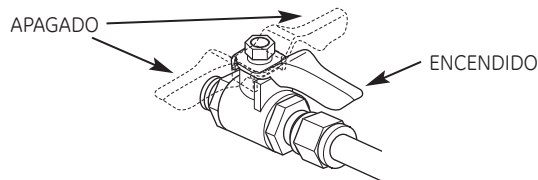
Cuando la luz azul en la base del grifo está intermitente, es el momento de reemplazar el pre-filtro y post-filtro. Esto ocurrirá cada seis meses.

Cerciórese de lavarse las manos antes de manipular partes interiores del sistema.

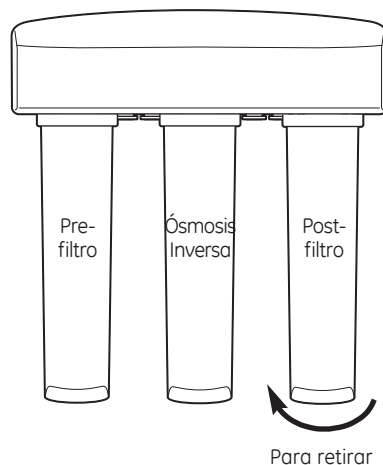
1. Apague la máquina de hielo (si está unida al sistema).



2. Apague el suministro de agua hacia el sistema.



3. Encienda el grifo hacia el tanque de drenaje (podría tomarse varios minutos). Cierre el grifo cuando el tanque esté vacío.
4. Retire el pre-filtro, post-filtro y el cartucho de Ósmosis Inversa rotando hacia la izquierda aproximadamente un tercio de giro.

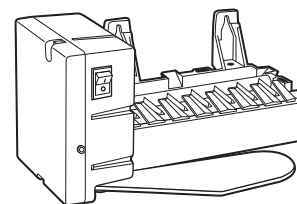


5. Siga el procedimiento de *Cómo desinfectar el sistema de Ósmosis Inversa* en la página 74.

6. Retire el aluminio que viene encima de los nuevos cartuchos de reemplazo. Instale los nuevos cartuchos en el colector girando hacia la derecha aproximadamente un tercio de giro hasta que las marcas de alineación queden alineadas y los cartuchos paren. **NO APRIETE EN EXCESO.** Los cartuchos se levantarán a medida que giran.

NOTA: El prefiltro y posfiltro son idénticos. Usted puede instalar cualquier filtro en la posición de filtro o posfiltro. El cartucho de osmosis inversa se instala en la posición central.

7. Encienda el suministro de agua para llenar el sistema (puede tomar hasta 4 horas). Revise en busca de fugas.
8. Retire la bandeja de la batería y reemplace la batería, con el lado positivo "+" hacia la parte superior, para re-inicializar el temporizador y monitorear la función en la base del grifo (consulte la sección *Instalación de la batería* para el procedimiento correcto).
9. Si únicamente el pre-filtro y el post-filtro se reemplazan, abra el grifo y llene y vacíe el tanque de almacenamiento dos (2) veces. Si el cartucho de membrana se reemplaza, llene y desocupe el tanque de almacenamiento un total de cuatro (4) veces. (Esto eliminará los preservativos de grado de alimentos contenidos en las nuevas membranas. Este preservativo le dará al agua un sabor y olor desagradables).
10. Una vez que el tanque de almacenamiento esté lleno, encienda la máquina de helos.



NOTA: El sistema debe desinfectarse cuando se reemplace el cartucho de pre-filtro y post-filtro o el cartucho de Ósmosis Inversa. Siga el procedimiento *Cómo desinfectar el sistema de Ósmosis Inversa* en la página 74.

Cuidado y limpieza del sistema de Ósmosis Inversa.

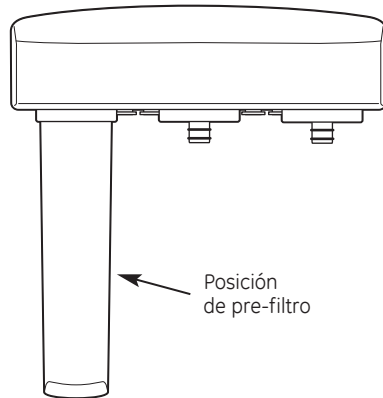
Cómo desinfectar el sistema de Ósmosis Inversa

Desinfecte el sistema en el momento de instalación del sistema de Ósmosis Inversa y después de realizar servicio a las partes internas, incluyendo el reemplazo del pre-filtro, post-filtro y el cartucho de membrana.

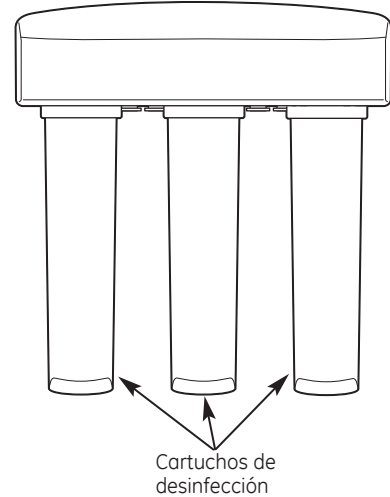
Cerciórese de lavarse las manos antes de manipular las partes internas del sistema.

IMPORTANTE — Antes de la desinfección, verifique que retiró todos los cartuchos. El cloro destruirá el cartucho de membrana de Ósmosis Inversa.

1. Siga los pasos del 1 al 4 en la sección *Procedimiento de reemplazo del pre-filtro, post-filtro y cartucho de membrana del sistema de Ósmosis Inversa*.
2. Llene el cartucho vacío marcado como "cartucho de desinfección" con agua hasta quedar a una pulgada de la abertura superior. Agregue 1 oz. (2 cucharadas) de blanqueador común sin aroma. Instale el cartucho en la posición del cartucho de pre-filtro girando hacia la derecha un tercio de giro aproximadamente, hasta que las marcas de alineación queden alineadas y el cartucho pare.



3. Instale los 2 cartuchos de desinfección adicionales en las aberturas en el colector para el cartucho de membrana y de post-filtro girando hacia la derecha un tercio de giro aproximadamente, hasta que las marcas de alineación queden alineadas y el cartucho pare.



4. Abra la válvula de agua. Abra el grifo hasta que el agua empiece a fluir, luego cierre el grifo. Deje que el sistema se llene por 10 minutos.
5. Abra el grifo y deje que el agua fluya por 20 minutos o hasta que el olor a blanqueador desaparezca. Cierre el suministro de agua nuevamente. Abra el grifo para drenar el sistema.
6. Una vez que el sistema se drene, cierre el grifo y retire los cartuchos girando hacia la izquierda un tercio de giro aproximadamente. Guárdelos en lugar seguro hasta que los necesite nuevamente.

Para obtener filtros de repuesto, llame sin costo a Repuestos de electrodomésticos de GE al 800.626.2002 (EE.UU.), 800.663.6060 (Canadá-inglés), 800.361.3869 (Canadá-francés), o visite la tienda donde adquirió el sistema de Ósmosis Inversa.

Repuesto de cartucho pre-filtro/post-filtro FQROPF	Bloque de carbono
Repuesto de cartucho del sistema de Ósmosis Inversa FQROMF	Poliamida de película delgada

! ADVERTENCIA: Para reducir el riesgo de lesiones físicas:
Despresurice el sistema como se indica en el manual antes de quitar el cartucho

Kit de prueba del agua

Para obtener un kit de prueba del agua de un laboratorio independiente, llame a Legend Technical Services al 1.800.826.8553 ext. 47 y deje sus datos para contactarlo. Ellos le contactarán para averiguar qué pruebas de agua le interesan, y le informarán sobre el costo de las pruebas. Luego recibirá un kit que incluye todas las pruebas necesarias para indicar correctamente el nivel de desempeño de su sistema. El agua del producto se debe someter a prueba como mínimo cada seis meses.

NOTA: Cuando la reducción de los sólidos totales disueltos (TDS) del sistema caiga por debajo del 75%, es el momento de reemplazar el cartucho de Ósmosis Inversa además del pre-filtro y post-filtro.

Antes de llamar a solicitar servicio...

Seguridad



Consejos para la solución de fallas
¡Ahorre tiempo y dinero! Revise las tablas en las siguientes páginas primero y quizás no necesite llamar a solicitar un servicio.

Operación

Instalación

Solucionar problemas

Soporte al consumidor

Problema	Posible causas	Qué hacer
El agua tiene burbujas de aire y está turbia	Aire en el sistema después de la instalación.	<ul style="list-style-type: none"> Desaparecerá después de que el agua corra por un tiempo.
La luz indicadora de la base del grifo no funciona	Las baterías se instalaron incorrectamente o son expandidas.	<ul style="list-style-type: none"> Observe la orientación en la página 68 para instalación correcta. Reemplace las baterías si son viejas.
	La luz azul no ilumina hasta los seis meses.	<ul style="list-style-type: none"> Operación normal.
	Las baterías están agotadas.	<ul style="list-style-type: none"> Use batería nueva CR2032, de 3 voltios.
Sabor y/u olor a cloro en el agua producida por el sistema de Ósmosis Inversa	El nivel de ppm de cloro en su suministro de agua supera los límites máximos y ha destruido la membrana del sistema de Ósmosis Inversa.	<ul style="list-style-type: none"> Si el suministro de agua contiene más de 2,0 ppm de cloro, se necesita filtración adicional del suministro de agua hacia el sistema de Ósmosis Inversa. Corrija esta condición antes de hacer mantenimiento al sistema de Ósmosis Inversa.
	El cartucho de osmosis inversa ya no reduce la cantidad requerida de sólidos disueltos totales.	<ul style="list-style-type: none"> Reemplace el cartucho de la membrana, control del flujo, rejilla, pre-filtro, post-filtro y baterías en la caja electrónica del sistema de Ósmosis Inversa.
Otro sabor y/u olor	Agua producida de alta calidad puede tener un sabor diferente al que está acostumbrado.	<ul style="list-style-type: none"> Esto es normal.
	Bajo uso de agua.	<ul style="list-style-type: none"> Drene completamente el sistema y permita que se vuelva a llenar.
	Contaminación en almacenamiento del agua producida.	<ul style="list-style-type: none"> Siga los procedimientos de desinfección.
	El pre-filtro, post-filtro y/o el cartucho deben ser cambiados.	<ul style="list-style-type: none"> Reponga el pre-filtro y post-filtro. Desinfecte el sistema.

Problema	Posible causas	Qué hacer
Agua goteando del orificio del vacío de aire del grifo	El lado de drenaje del vacío de aire del grifo (tubería de 3/8") está obstruido, restringido o incorrectamente conectado hacia el punto de drenaje.	<ul style="list-style-type: none"> Inspeccione y elimine obstrucciones o bloqueos. Es importante que no haya hundimientos, vueltas o caídas en la tubería de drenaje desde el vacío de aire del grifo hacia la tubería de drenaje. Consulte las Instrucciones de instalación para una conexión apropiada del drenaje. Si el adaptador de la tubería de drenaje se usó como el punto de drenaje, se recomienda una inspección/limpieza periódica.
El sistema produce el agua muy lentamente	Esto es normal.	<ul style="list-style-type: none"> El ritmo de flujo del agua será inferior que el de su llave normal. Para llenar el tanque necesitará 3-4 horas.
	El suministro de agua hacia el sistema Ósmosis Inversa no está dentro de las especificaciones.	<ul style="list-style-type: none"> Aumente la presión del agua, precondicione el agua, etc., según sea necesario para adaptarse antes de hacer mantenimiento el sistema de Ósmosis Inversa.
	El cartucho de pre-filtro está obstruido con sedimentos.	<ul style="list-style-type: none"> Reemplace el pre-filtro y post-filtro. Si el ritmo no aumenta, reemplace el cartucho del sistema de Ósmosis Inversa, control del flujo y las baterías en la base del grifo.
	El cartucho del sistema de Ósmosis Inversa está obstruido con sedimentos.	<ul style="list-style-type: none"> Reemplace el cartucho del sistema de Ósmosis Inversa, control del flujo y la batería en la base del grifo.
No hay agua	La válvula de suministro de agua no está abierta.	<ul style="list-style-type: none"> Abra la válvula de suministro de agua. Consulte el diagrama en la página 65.
	Después del cambio de filtro, el tanque está vacío.	<ul style="list-style-type: none"> Se necesitan entre 3 y 4 horas para que el sistema de Ósmosis Inversa suministre suficiente agua para llenar el tanque.
Fugas en los accesorios	Instalados incorrectamente.	<ul style="list-style-type: none"> Vuelva a instalar. Consulte las instrucciones de instalación.
Sonidos que usted podría escuchar	Drenaje del lavamanos, agua de drenaje del sistema.	<ul style="list-style-type: none"> Esto es normal. La tubería de drenaje se puede instalar en un drenaje alternativo, como en un drenaje de sótano. Consulte las páginas 69 y 70 para configuraciones de drenaje alternativos.
	Vacío de aire en el grifo— el agua de drenaje fluye a través del vacío de aire en el grifo. Este podría estar asociado con la presión alta del suministro de agua, generalmente a 80 psi o mayor.	<ul style="list-style-type: none"> Instale un regulador de presión en su sistema de suministro de agua de la casa para reducir la presión por debajo de 80 psi. GE tiene un estrangulador de flujo para presión de agua alta (Consulte el artículo #31 en la lista de partes, página 78). Póngase en contacto con el Departamento de Partes de GE y pida un Estrangulador de flujo, de presión alta, Número de parte WS15X10049.

Seguridad

Operación

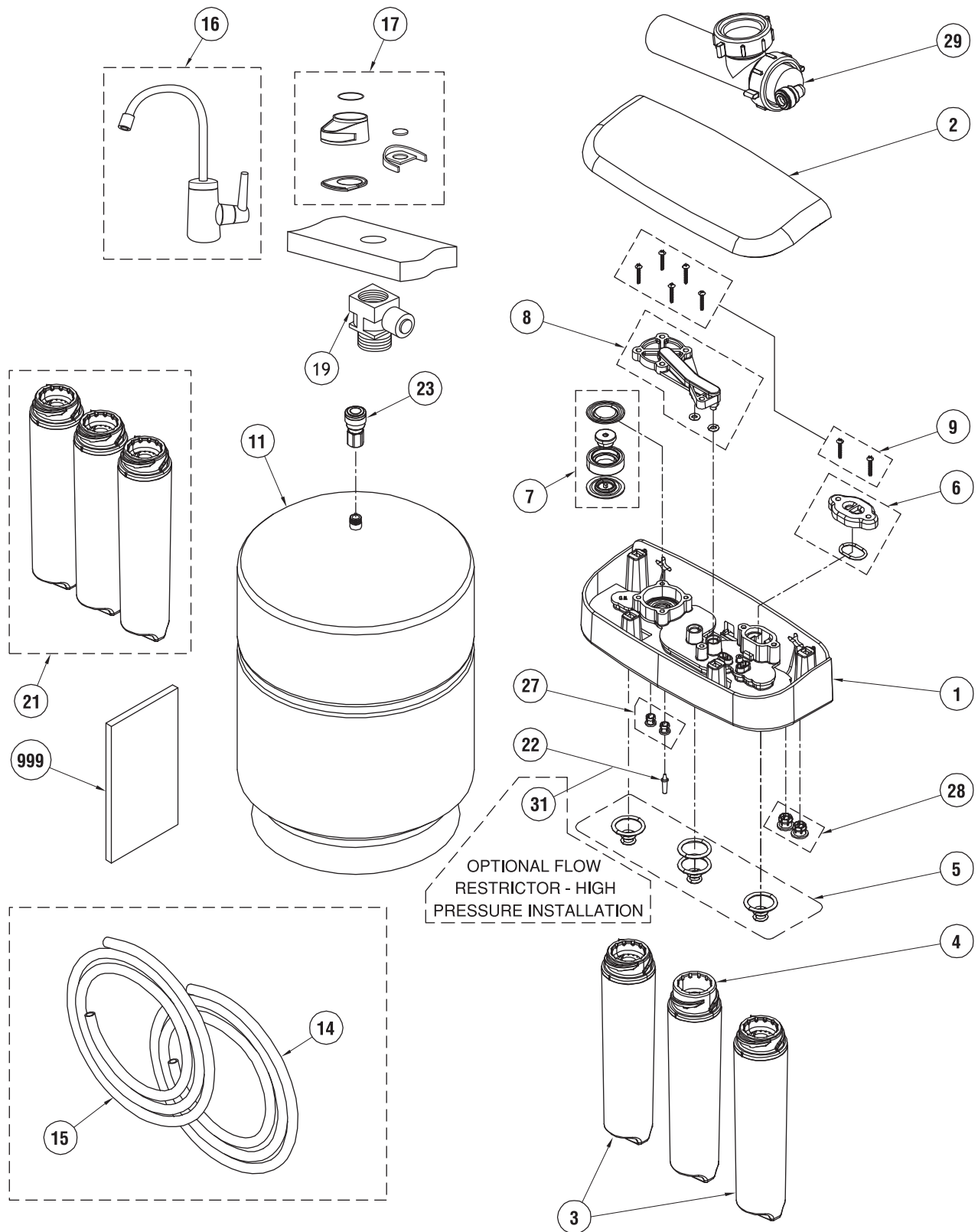
Instalación

Solucionar problemas

Soporte al consumidor

Lista de partes.

PXRQ15R, PNRQ15RBL



PARTES OPCIONALES
PARA INSTALACIÓN REMOTA

NO. REF.	PARTE NO.	DESCRIPCIÓN DE LA PARTE	CANTIDAD	
			P X R Q 1 5 R B C	P N R Q 1 5 R B L
0001	WS19X10017	ENSAMBLADURA DEL COLECTOR	1	1
0002	WS19X10018	TAPA	1	1
0003	FQROPF	JUEGO DE PRE- Y POST-FILTRO	1	1
0004	FQROMF	CARTUCHO DE ÓSMOSIS INVERSA	1	1
0005	WS03X10047	KIT DE ARO TÓRICO (4 GRANDES, 6 PEQUEÑOS)	1	1
0006	WS03X10048	TAPA DEL MEDIDOR DEL FLUJO Y ARO TÓRICO	1	1
0007	WS15X10050	ENSAMBLADURA DE LA VÁLVULA DE CIERRE	1	1
0008	WS10X10030	TAPA DE CIERRE Y ENSAMBLADURA DE LA BOLA DE RETENCIÓN	1	1
0009	WS02X10034	TORNILLOS, JUEGO DE 7	1	1
0011	WS32X10021	TANQUE DE ALMACENAMIENTO DE AGUA	1	1
0014	WS07X10018	TUBERÍA, 1/4" DIA. X 33"—BLANCO	1	1
0015	WS07X10019	TUBERÍA, 3/8" DIA. X 33"—BLANCO	1	1
0016	WS15X10076	PICO DEL GRIFO, CROMO	1	1
0017	WS10X10045	BASE DEL GRIFO, CROMO	1	1
0019	WS60X10016	KIT ADAPTADOR DEL AGUA DE ALIMENTACIÓN	1	1
0021	WS35X10041	KIT DE DESINFECCIÓN	1	1
0022	WS15X10041	LIMITADOR DEL FLUJO	1	1
0023	WS22X10055	CONECTOR DEL TANQUE, TUBERÍA DE 3/8"	1	1
0027	WS22X10052	BOQUILLA, 1/4" (JUEGO DE 2)	1	1
0028	WS22X10053	BOQUILLA, 3/8" (JUEGO DE 2)	1	1
0029	WS18X10006	ADAPTADOR DEL TUBERÍA DE DRENAJE	1	1
0031	WS15X10049	ESTRANGULADOR DE FLUJO, DE PRESIÓN ALTA	-	-
0999	49-50261-1	MANUAL DEL PROPIETARIO Y INSTALACIÓN	1	1

Soporte al consumidor	Solucionar problemas	Instalación	Operación	Seguridad
-----------------------	----------------------	-------------	-----------	-----------

Notas.

Notas.

Seguridad

Operación

Instalación

Solucionar problemas

SopORTE al consumidor

Garantía del Sistema Ósmosis Inversa.



Todo servicio de garantía será proporcionado por un Proveedor de Servicio GE SmartWater™ autorizado. Para concertar una cita, llámenos gratuitamente al 800.GE.CARES (U.S.) o al 866.777.7627 (Canadá). Cuando llame para solicitar servicio, por favor tenga a mano el número de serie y el número de modelo.

Grape aquí su recibo. Se requiere facilitar prueba de la fecha de compra original para obtener un servicio bajo la garantía.

Por el período de: GE repondrá:

Un año

A partir de la fecha de compra original

Cualquier parte del Sistema de Filtración de Ósmosis Inversa cuya falla se deba a un defecto material o de mano de obra. Durante esta **garantía limitada de un año**, GE también ofrecerá **sin costo**, toda la mano de obra y servicio relacionado para reemplazar las partes defectuosas.

Qué no cubrirá GE:

- Visitas de servicio hasta su casa para enseñarle cómo usar el producto.
- Instalación, entrega o mantenimiento incorrectos.
- Falla del producto si es abusado, mal utilizado, usado con un fin diferente al propósito pretendido o usado para fines comerciales.
- Uso de este producto donde el agua sea microbiológicamente insegura o de calidad desconocida, sin una desinfección adecuada. Los sistemas certificados para la reducción de quistes pueden ser usados en agua desinfectada que puede contener quistes filtrables.
- Cartuchos del filtro, cartuchos de la membrana y las baterías después de treinta días a partir de la fecha de la compra.
- Daño al producto causado por accidente, incendio, inundación o actos de Dios.
- Daños incidentales o consecuentes causados por posibles defectos con este aparato.

EXCLUSIÓN DE GARANTÍAS IMPLÍCITAS—Su único y exclusivo derecho es la reparación del producto, tal y como se indica en esta Garantía limitada. Cualquier garantía implícita, incluyendo las garantías implícitas de comerciabilidad o adecuación para un fin determinado, están limitadas a un año o el período de tiempo más breve permitido por la ley.

Esta garantía se extiende al comprador original y cualquier comprador posterior de productos comprados para uso residencial dentro de Estados Unidos. Si el producto está situado en un área que no dispone de servicio por parte de un proveedor de servicio autorizado de GE, podría tener que hacerse cargo de los costes de envío o bien podría solicitársele que lleve el producto a una centro de servicio de GE autorizado para realizar la reparación. En Alaska, la garantía excluye el costo de envío o las visitas de servicio a su casa.

Algunos estados no permiten la exclusión o las limitaciones de daños incidentales o consecuenciales. Esta garantía da derechos legales específicos, y usted podría tener otros derechos que variarán de estado a estado. Para saber cuáles son sus derechos legales, consulte a la oficina de asuntos del consumidor local o la oficina del Attorney General en su localidad.

Garante: General Electric Company. Louisville, KY 40225

Soporte al consumidor.



Página Web de GE Appliances

GEAppliances.com

¿Tiene alguna pregunta sobre su electrodoméstico? ¡Pruebe la página Web de GE Appliances 24 horas al día, cualquier día del año! Para mayor conveniencia y servicio más rápido, ya puede descargar los Manuales de los Propietarios o pedir piezas en línea.



Solicite una reparación

GEAppliances.com

El servicio de expertos GE está a tan sólo un paso de su puerta. Solicite su reparación cuando le venga llamando al 800.GE.CARES (800.432.2737) durante horas normales de oficina.



Real Life Design Studio (Estudio de diseño para la vida real)

GEAppliances.com

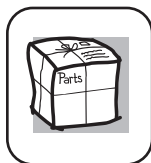
GE apoya el concepto de Diseño Universal—productos, servicios y ambientes que pueden usar gente de todas las edades, tamaños y capacidades. Reconocemos la necesidad de diseñar para una gran gama de habilidades y dificultades físicas y mentales. Para más detalles sobre las aplicaciones de GE Diseño Universal, incluyendo ideas de diseño para la cocina para personas con discapacidades, mire nuestra página Web hoy mismo. Para personas con dificultades auditivas, favor de llamar al 800.TDD.GEAC (800.833.4322).



Garantías ampliadas

GEAppliances.com

Compre una garantía ampliada y obtenga detalles sobre descuentos especiales disponibles mientras su garantía está aún activa. Puede comprarla en línea en cualquier momento, o llamar al (800.626.2224) durante horas normales de oficina. GE Consumer Home Services estará aún ahí cuando su garantía termine.



Piezas y accesorios

GEAppliances.com

Aquellos individuos con la calificación necesaria para reparar sus propios electrodomésticos pueden pedir que se les manden las piezas o accesorios directamente a sus hogares (aceptamos las tarjetas VISA, MasterCard y Discover). Haga su pedido en línea hoy, 24 horas cada día o llamar por teléfono al 800.626.2002 durante horas normales de oficina.

Las instrucciones descritas en este manual cubren los procedimientos a seguir por cualquier usuario. Cualquier otra reparación debería, por regla general, referirse a personal calificado autorizado. Debe ejercerse precaución ya que las reparaciones incorrectas pueden causar condiciones de funcionamiento inseguras.



Póngase en contacto con nosotros

GEAppliances.com

Si no está satisfecho con el servicio que recibe de GE, póngase en contacto con nosotros en nuestra página Web indicando todos los detalles así como su número de teléfono o escríbanos a:

General Manager, Customer Relations
GE Appliances, Appliance Park
Louisville, KY 40225



Registre su electrodoméstico

GEAppliances.com

¡Registre su nuevo electrodoméstico en línea—cuando usted prefiera! El registrar su producto a tiempo le proporcionará, si surgiera la necesidad, una mejor comunicación y un servicio más rápido bajo los términos de su garantía. También puede enviar su tarjeta de registro pre-impresa que se incluye en el material de embalaje o recorte y use el formulario de este Manual del Propietario.

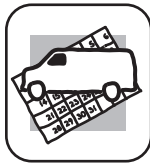
Consumer Support.



GE Appliances Website

In the U.S.: **GEAppliances.com**

Have a question or need assistance with your appliance? Try the GE Appliances Website 24 hours a day, any day of the year! For greater convenience and faster service, you can now download Owner's Manuals, order parts, or even schedule service on-line. In Canada: www.GEAppliances.ca



Schedule Service

In the U.S.: **GEAppliances.com**

Expert GE repair service is only one step away from your door. Schedule your service at your convenience by calling 800.GE.CARES (800.432.2737) during normal business hours.

In Canada, call 1.800.561.3344



Real Life Design Studio

In the U.S.: **GEAppliances.com**

GE supports the Universal Design concept—products, services and environments that can be used by people of all ages, sizes and capabilities. We recognize the need to design for a wide range of physical and mental abilities and impairments. For details of GE's Universal Design applications, including kitchen design ideas for people with disabilities, check out our Website today. For the hearing impaired, please call 800.TDD.GEAC (800.833.4322).

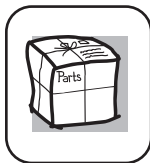
In Canada, contact: Manager, Consumer Relations, Mabe Canada Inc.
Suite 310, 1 Factory Lane
Moncton, N.B. E1C 9M3



Extended Warranties

In the U.S.: **GEAppliances.com**

Purchase a GE extended warranty and learn about special discounts that are available while your warranty is still in effect. You can purchase it on-line anytime, or call 800.626.2224 during normal business hours. GE Consumer Home Services will still be there after your warranty expires. In Canada, call 1.888.261.2133



Parts and Accessories

In the U.S.: **GEAppliances.com**

Individuals qualified to service their own appliances can have parts or accessories sent directly to their homes (VISA, MasterCard and Discover cards are accepted). Order on-line today, 24 hours every day or by phone at 800.626.2002 during normal business hours.

Instructions contained in this manual cover procedures to be performed by any user. Other servicing generally should be referred to qualified service personnel. Caution must be exercised, since improper servicing may cause unsafe operation.

Customers in Canada should consult the yellow pages for the nearest Mabe service center, or call 1.800.661.1616.



Contact Us

In the U.S.: **GEAppliances.com**

If you are not satisfied with the service you receive from GE, contact us on our Website with all the details including your phone number, or write to:

General Manager, Customer Relations
GE Appliances, Appliance Park
Louisville, KY 40225

In Canada: www.GEAppliances.ca, or write to: Director, Consumer Relations, Mabe Canada Inc.
Suite 310, 1 Factory Lane
Moncton, N.B. E1C 9M3



Register Your Appliance

In the U.S.: **GEAppliances.com**

Register your new appliance on-line—at your convenience! Timely product registration will allow for enhanced communication and prompt service under the terms of your warranty, should the need arise. You may also mail in the pre-printed registration card included in the packing material, or detach and use the form in this Owner's Manual. In Canada: www.GEAppliances.ca