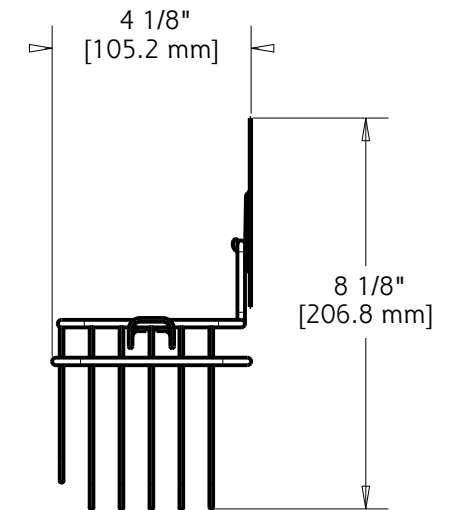
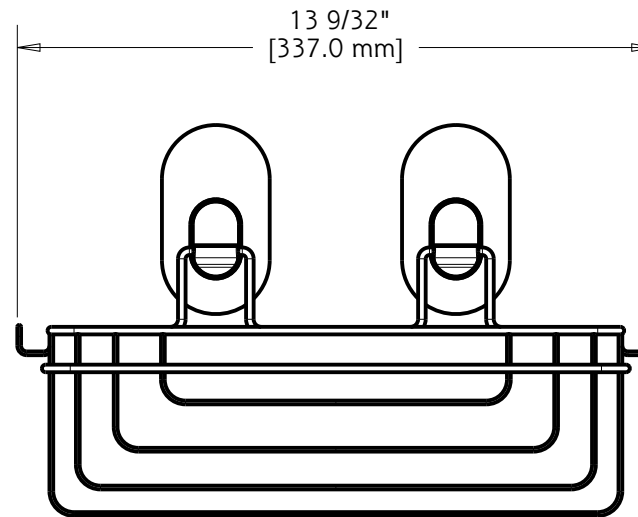
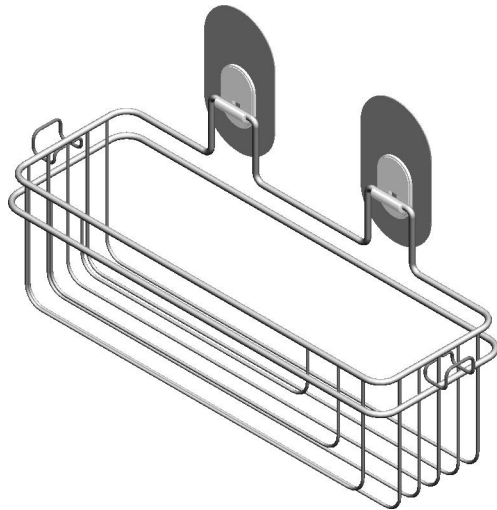


TECHNICAL DATA

Bath Storage - IncrediGrip™

SHELF ASSEMBLY



MATERIALS: Basket - CRS 1018
Tray Hook - Steel

INSTALLATION: Do not position the IncrediGrip™ pads across any tile grout lines or other surface feature that could interfere with application. Clean surface areas where IncrediGrip™ pads will be installed with the provided Isopropyl Rubbing Alcohol pad or Windex® Original Glass Cleaner and a clean, lint free cloth. Firmly press on IncrediGrip™ pads and smooth the air bubbles out. Work from center towards the outer edges of the pads.

SPECIFICATION: Surface mounted Shelf assembly shall be model _____
(fill in model number) by Liberty Hardware Manufacturing Corporation.

FranklinBrass
A Liberty Hardware Brand