



Zoning

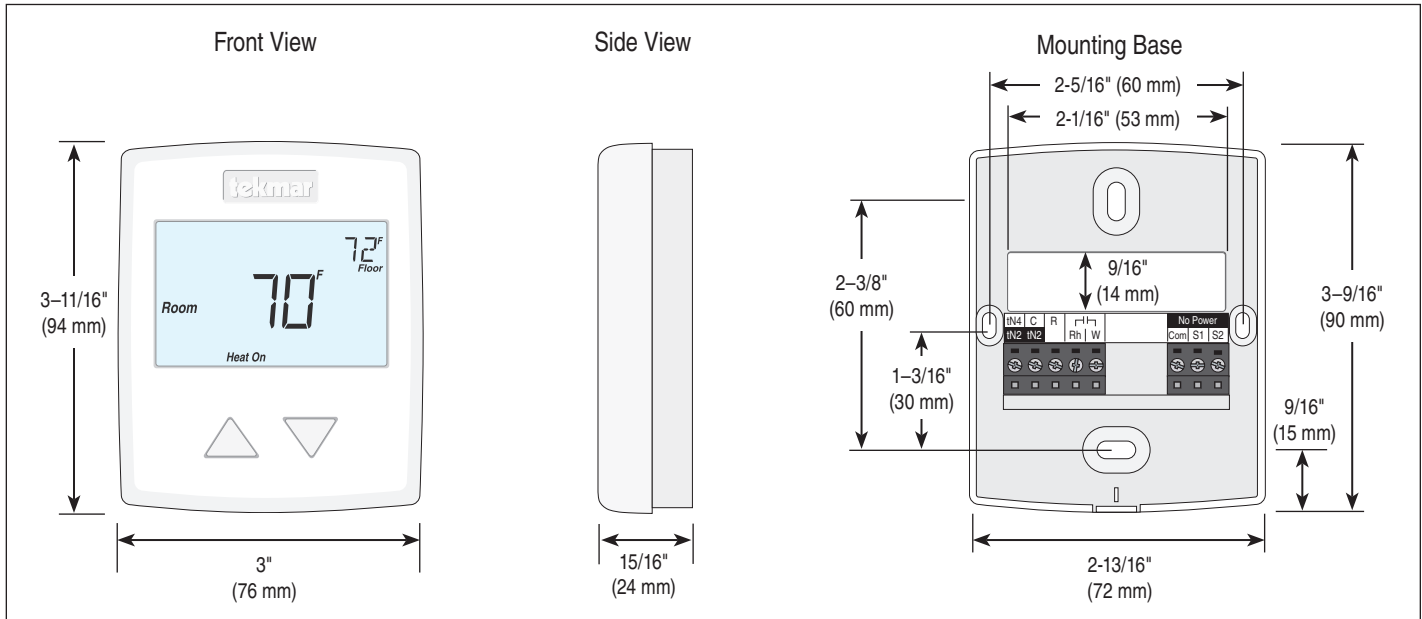
532\_C

02/15

Replaces: New

Job \_\_\_\_\_ Designer \_\_\_\_\_ Contact \_\_\_\_\_

The tekmarNet<sup>®</sup> Thermostat 532 is a communicating thermostat designed for one stage hydronic heating systems. Simple up and down buttons and a display with large type make this thermostat easy to read and use. It has two auxiliary sensor inputs that can be assigned to measure room, floor, or outdoor temperature. An optional floor sensor protects the floor from overheating and enhances comfort. The 532 can be wired using two or four wires to connect to tekmarNet zoning controls, or can be installed as a stand-alone thermostat using three wires.



### Specifications

tekmarNet <sup>®</sup> Thermostat 532 One Stage Heat	
Literature	532_C, 532_D, 532_Q, 532_U
Control	Microprocessor control. This is not a safety (limit) control.
Packaged weight	0.53 lb. (240 g)
Dimensions	3-11/16" H x 3" W x 15/16" D (94 x 76 x 24 mm)
Enclosure	White PVC plastic, NEMA type 1
Approvals	Meets Class B: ICES & FCC Part 15
Ambient conditions	Indoor use only, 32 to 122°F (0 to 50°C), RH ≤90% non-condensing
Power supply	24 V ± 10%, 50/60 Hz, 1.8 VA standby, Class 2
Relay	24 V (ac/dc), 2 A, Class 2 circuits
Sensor	NTC thermistor, 10 kΩ @ 77°F (25°C ±0.2°C) β=3892
-Included	None
-Optional	tekmar type # 070, 072, 073, 076, 077, 079, 084
Warranty	Limited 3 Year (See 532_D for full warranty)

### Features

- tekmarNet communication compatible
- Radiant floor heating
- Floor & air temperature control
- Zone synchronization
- Network schedule member
- Optimum start
- Away scene
- Air group member
- 2 auxiliary sensor inputs
- Backlight
- Room temperature limiting

### SPECIAL REQUIREMENTS

An auxiliary sensor must be used to measure any auxiliary sensor temperatures.

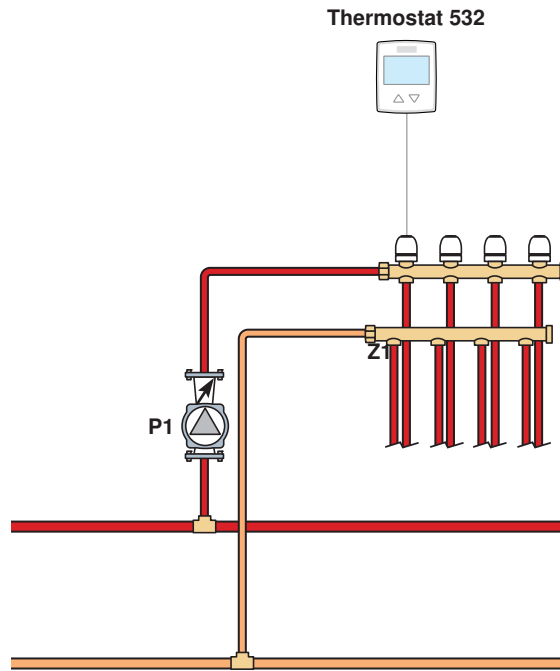
## Sample Application Drawing

Below is a sample application drawing for this product. This application may include other tekmar products that are required for installation. More sample applications can be found at [www.tekmarControls.com](http://www.tekmarControls.com).

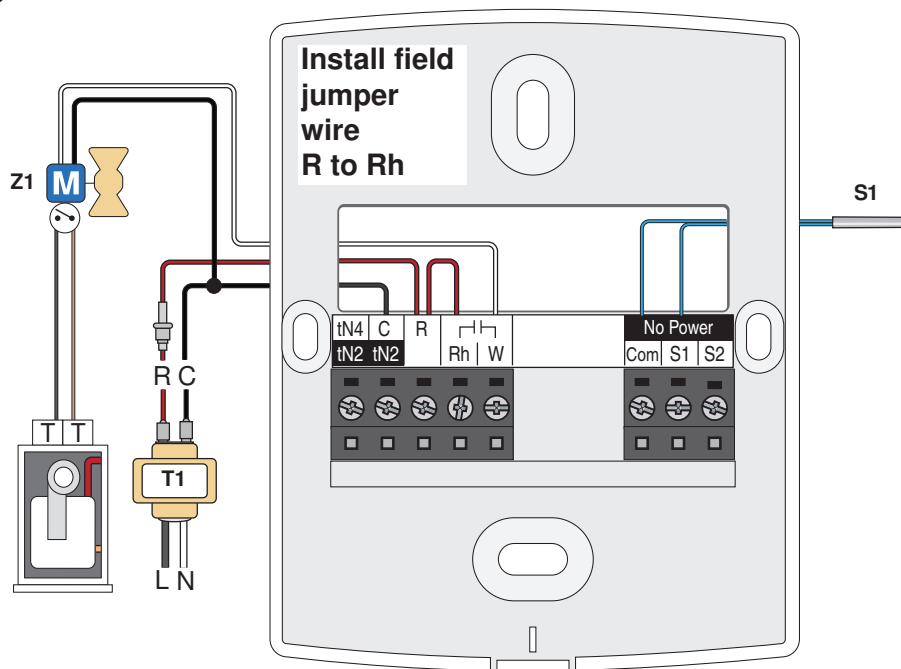
Sample Mechanical diagram

**Legend**

- P1 = Manifold Pump
- S1 = Optional Slab Sensor 079
- T1 = 24 V (ac) Transformer 009
- Z1 = Zone Valve



Sample Electrical diagram



### NOTICE

The information contained herein is not intended to replace the full product installation and safety information available or the experience of a trained product installer. You are required to thoroughly read all installation instructions and product safety information before beginning the installation of this product.



tekmar Control Systems Ltd., A Watts Water Technologies Company. Head Office: 5100 Silver Star Road, Vernon, B.C. Canada V1B 3K4, 250-545-7749, Fax. 250-545-0650 Web Site: [www.tekmarControls.com](http://www.tekmarControls.com)

