



Register your new Bosch now:  
[www.bosch-home.com/welcome](http://www.bosch-home.com/welcome)



**Fridge-freezer**  
**Réfrigérateur / congélateur combiné**  
**Refrigerador/congelador**  
**B36CL... SN...**



**BOSCH**

<b>en</b>	Installation instructions and instructions for use .....	2
<b>fr</b>	Notice de montage et d'utilisation .....	34
<b>es</b>	Instrucciones de uso y montaje .....	68

# en Table of contents

 <b>Important safety instructions</b> .....	<b>3</b>	 <b>Home Connect</b> .....	<b>23</b>
Definitions .....	3	Setting up Home Connect .....	23
About these instructions .....	3	Installing updates for the Home Connect software	24
Introduction .....	3	Information on data protection .....	24
Restriction of user group .....	3	 <b>Refrigerator compartment</b> .....	<b>25</b>
Risk of explosion .....	3	Note when storing food .....	25
Risk of electric shock .....	3	 <b>Cool-fresh compartment</b> .....	<b>25</b>
Risk of cold burns .....	4	Cool-fresh bin .....	25
Risk of Injury .....	4	Storage recommendations .....	25
Fire hazard/Danger due to refrigerants .....	4	 <b>Freezer compartment</b> .....	<b>26</b>
Risk of fire .....	4	 <b>Water dispenser</b> .....	<b>26</b>
Risk of suffocation .....	4	Before using the appliance for the first time .....	26
Damage .....	4	Observing drinking water quality .....	26
Weight .....	4	Dispensing water .....	26
State of California Proposition 65 Warnings .....	4	 <b>Ice maker</b> .....	<b>27</b>
 <b>Intended use</b> .....	<b>5</b>	Before using the appliance for the first time .....	27
 <b>Environmental protection</b> .....	<b>5</b>	Switching ice cube production on or off .....	27
Packaging .....	5	 <b>Defrosting</b> .....	<b>27</b>
Old appliances .....	5	 <b>Cleaning</b> .....	<b>28</b>
 <b>Installation and connection</b> .....	<b>5</b>	Cleaning the appliance interior .....	28
Contents of package .....	5	Cleaning the fittings .....	28
Technical data .....	5	 <b>Odors</b> .....	<b>30</b>
Installing the appliance .....	6	 <b>Lighting</b> .....	<b>30</b>
Saving energy .....	12	 <b>Noises</b> .....	<b>30</b>
Before using for the first time .....	13	Normal noises .....	30
Water connection .....	13	Preventing noises .....	30
Electrical connection .....	13	 <b>Faults – what to do?</b> .....	<b>31</b>
 <b>Getting to know your appliance</b> .....	<b>14</b>	Appliance .....	31
Appliance .....	14	Water dispenser .....	32
Operating controls .....	15	Ice maker .....	32
Equipment .....	16	 <b>Customer service</b> .....	<b>33</b>
 <b>Operating the appliance</b> .....	<b>20</b>	Appliance self-test .....	33
Switching the appliance on .....	20	Warranty statement .....	33
Switching off and disconnecting the appliance .....	20		
Setting the temperature unit .....	20		
Setting the temperature .....	20		
Setting cool-fresh compartment .....	20		
Super cooling .....	20		
Super freezing .....	21		
Energy saving mode .....	21		
Freshness mode .....	21		
Vacation mode .....	21		
Sabbath mode .....	21		
Setting the light .....	22		
Change filter alarm .....	22		
 <b>Alarm</b> .....	<b>22</b>		
Door alarm .....	22		
Temperature alarm .....	22		

# Important safety instructions

## READ INSTRUCTIONS - DO NOT DISCARD!

### Definitions

#### **WARNING**

Non-observance of this warning could result in death or serious injuries.

#### **CAUTION**

Non-observance of this warning could result in slight or moderately serious injuries.

**NOTICE:** Non-observance of this information could damage the appliance.

**Note:** This indicates important information and/or tips.

### About these instructions

- Read and follow the operating and installation instructions. They contain important information on how to install, use and maintain the appliance.
- Retain all documents for subsequent use or for the next owner.

### Introduction

- This appliance complies with the relevant safety regulations for electrical appliances.
- The refrigeration circuit has been checked for leaks.

### Restriction of user group


- This appliance is not intended for use by persons (including children) with reduced physical, sensory or mental capabilities, or lack of experience and knowledge, unless they have been given supervision or instruction concerning use of the appliance by a person responsible for their safety.
- Children should be supervised to ensure that they do not play with the appliance.

### Risk of explosion

- Never use electric devices inside the appliance (e.g. heaters or electric ice makers).
- Do not store products which contain flammable propellants (e.g. spray cans) or explosive substances in the appliance.
- Only store high-proof alcohol tightly closed and standing up.
- Do not use other means to accelerate the defrosting process other than those recommended by the manufacturer.

### Risk of electric shock

Improper installations or repairs may put the user at considerable risk.

- When installing the appliance, make sure that the power cord does not get jammed or damaged.
- In order to avoid danger, if the power cord is damaged, disconnect the appliance from the power source immediately. Have the power cord replaced by the manufacturer, customer service or a similarly qualified person.
- Do not use multiple outlets, extension cords, or adapters.
- Before servicing the appliance or carrying out installation work, disconnect the appliance from the power source or switch off the fuse.  
Before cleaning the appliance, press the  power button to turn the appliance off. Glass shelves and other equipment can be moved while the appliance is switched on.
- Never cut through or remove the power cord's third conductor (grounding conductor).
- Never defrost or clean the appliance using a steam cleaner. The steam may penetrate electrical parts and cause a short circuit.
- The appliance, cord and accessories should only be repaired or replaced by the manufacturer or an authorized service provider.

# Important safety instructions

READ INSTRUCTIONS - DO NOT DISCARD!

- Only use original parts supplied by the manufacturer.  
These parts come with a warranty from the manufacturer that they satisfy the safety requirements.

## Risk of cold burns

- Never put frozen food straight from the freezer compartment into your mouth.
- Avoid prolonged contact of skin with frozen food, ice and the tubes in the freezer compartment.

## Risk of Injury

Containers which contain carbonated drinks may burst.  
Do not store containers which contain carbonated drinks in the freezer compartment.



## Fire hazard/Danger due to refrigerants

The tubes of the refrigeration circuit contain a small quantity of an environmentally friendly but flammable refrigerant (R600a). If the refrigerant escapes, it may injure your eyes or ignite.

- Do not damage the tubes.

If the tubes are damaged:

- Keep open flames and ignition sources away from the appliance.
- Ventilate the room.
- Switch off the appliance and unplug the power plug.
- Please contact customer service.



## Risk of fire

Portable multi-outlet power strips and portable power supplies may overheat, causing a fire.

Never leave portable multi-outlet power strips or portable power supplies behind the appliance.

## Risk of suffocation

- Keep children away from the packaging and its parts.
- To avoid having children climb into the appliance, never remove the partition wall of the frozen food bin (large).

## Damage

To avoid damage:

- Do not stand or lean on the base, runners or doors.
- Keep plastic parts and door seals free of oil and grease.
- Pull the power plug – not the power cord.

## Weight


The appliance is very heavy. The appliance should always be transported and set up by at least 2 people.

→ "Installation and connection" on page 5

## State of California Proposition 65 Warnings

This product may contain a chemical known to the State of California, which can cause cancer or reproductive harm. Therefore, the packaging of your product may bear the following label as required by California:

STATE OF CALIFORNIA PROPOSITION 65 WARNING: /  
AVERTISSEMENT ISSUE DE LA PROPOSITION 65  
DE L'ÉTAT DE LA CALIFORNIE:

 **WARNING /  
AVERTISSEMENT**

Cancer and Reproductive Harm / Cancer et dommages à la  
reproduction - [www.P65Warnings.ca.gov](http://www.P65Warnings.ca.gov).

## Intended use

Use this appliance

- only for cooling and freezing food, ice making and water dispensing.
- only in the home and in the home environment.
- only according to these operating instructions.

This appliance is intended for use at an altitude of max. 13123 ft (4000 meters) above sea level.

## Environmental protection

### Packaging

All materials are environmentally safe and recyclable:

- Dispose of packaging in an environmentally responsible manner.
- Please ask your dealer or inquire at your local authority about current means of disposal.

### Old appliances

Valuable raw materials can be reclaimed by recycling old appliances.

### WARNING

CHILDREN MAY BECOME LOCKED IN THE APPLIANCE AND SUFFOCATE!

Before disposing of your old appliance:

- Remove the door.
- Leave shelves and bins in the appliance to prevent children from climbing in.
- Keep children away from the discarded appliance.

### CAUTION

REFRIGERANT AND HARMFUL GASES MAY ESCAPE.

Do not damage the tubes of the refrigeration circuit and insulation.

1. Pull out the power plug.
2. Cut through the power cord.
3. Have the appliance disposed of properly.

## Installation and connection

### Contents of package

After unpacking, check all parts for damage during transport.

In the event of damage, contact your dealer or our after-sales service.

The delivery consists of the following parts:

- Free-standing appliance
- Installation material
- Interior fittings (depending on model)
- Installation instructions and instructions for use
- Statement of limited product warranty
- Information on the energy consumption and noises

### Technical data

Refrigerant, cubic capacity and further technical specifications can be found on the rating plate.

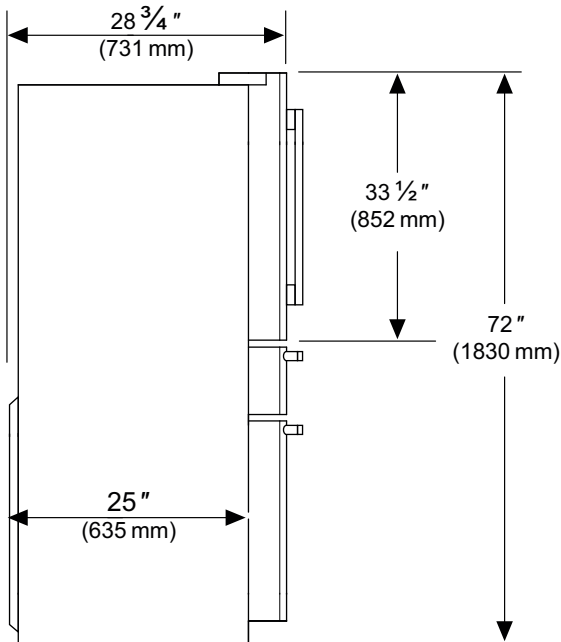
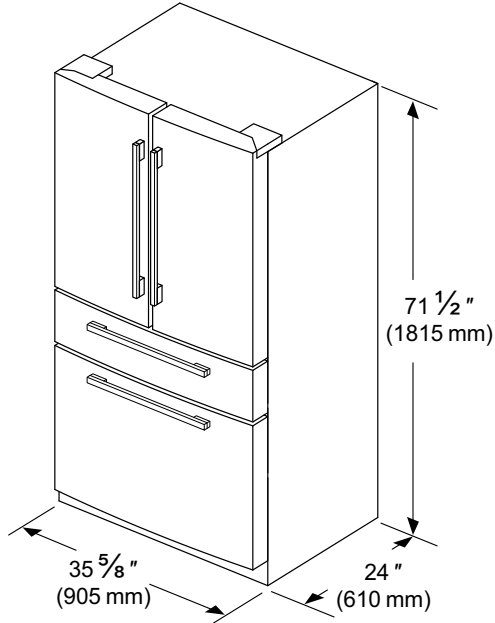
→ "Getting to know your appliance" on page 14

## Installing the appliance

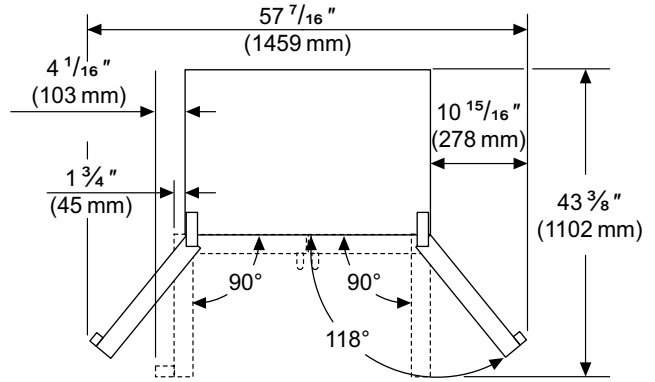
### Installation location

The weight of the appliance may be up to 419 lb (190 kg) depending on the model. The base must be sufficiently stable and should not give. If necessary, reinforce the floor.

### Installation dimensions



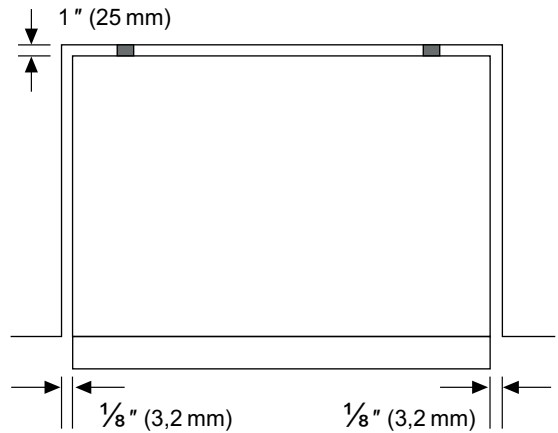
### Door opening angle



### Minimum clearances

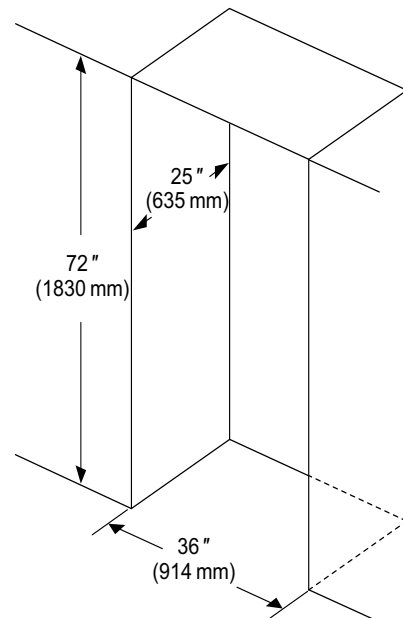
Leave a clearance of  $\frac{1}{2}$ " (12.7 mm) above the appliance.

Observe minimum clearances as follows:



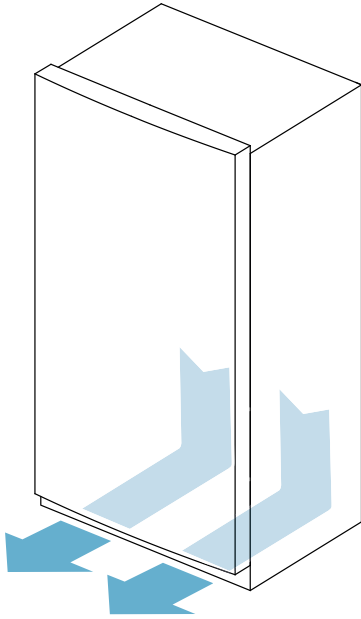
### Niche dimensions

If you install the appliance in a niche, adhere to the following dimensions:



## Ventilation

Never cover or block ventilation openings.

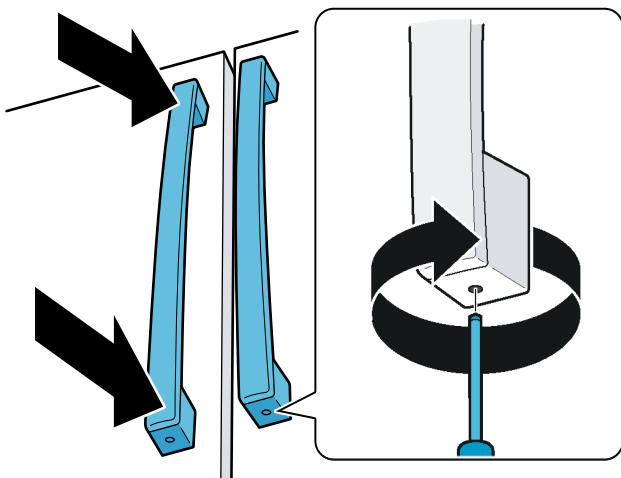


## Installing the door handle

1. Fit the handle vertically onto the pre-assembled bolts.

**Note:** The holes in the handle must face up and down.

2. Use a 2.5 mm Allen wrench to tighten the pre-assembled screws clockwise in the handle from the top and bottom.

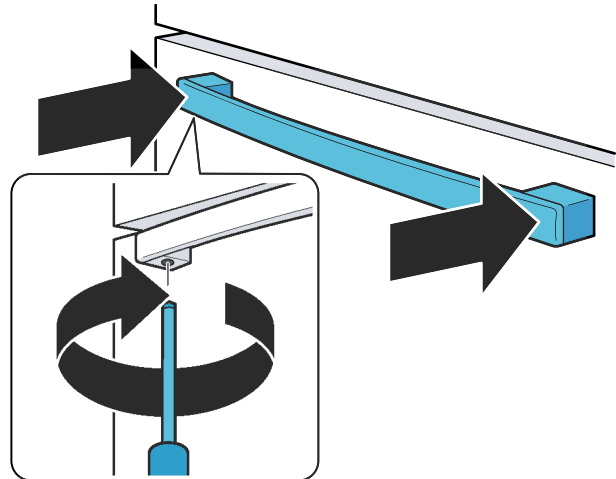


## Installing the drawer handle

1. Insert the handle horizontally onto the pre-assembled bolts.

**Note:** The holes in the handle must be facing down.

2. Use a 2.5 mm Allen wrench to tighten the pre-assembled screws in the handle clockwise from the bottom.



## Aligning the appliance

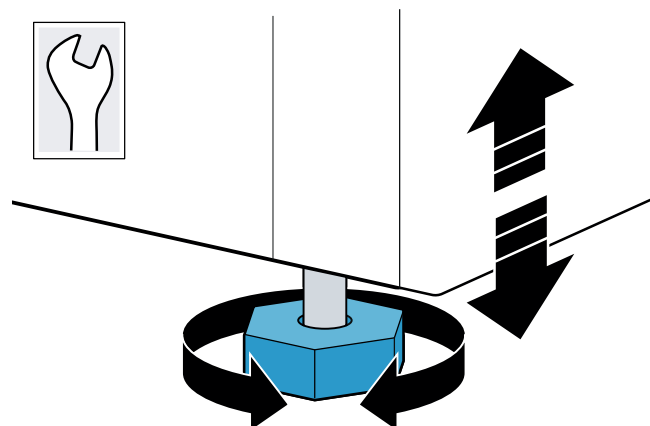
### ⚠ CAUTION

- To avoid damage to the floor, always move the appliance with the height-adjustable feet screwed upwards.
- The two front height-adjustable feet must always be in contact with the floor to avoid the appliance from rolling or tipping when the door is opened.

Rollers are located under the appliance for easy movement and alignment:

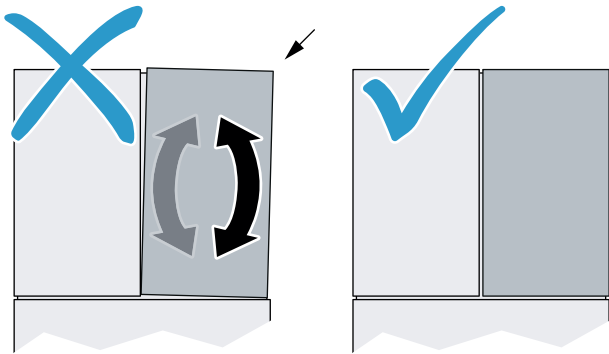
1. Place the appliance vertically on a firm, level floor.
2. Using a wrench, screw down both of the front height-adjustable feet so that they touch the floor.
3. Compensate for floor unevenness with the front height-adjustable feet.

**Note:** To align, use a level.



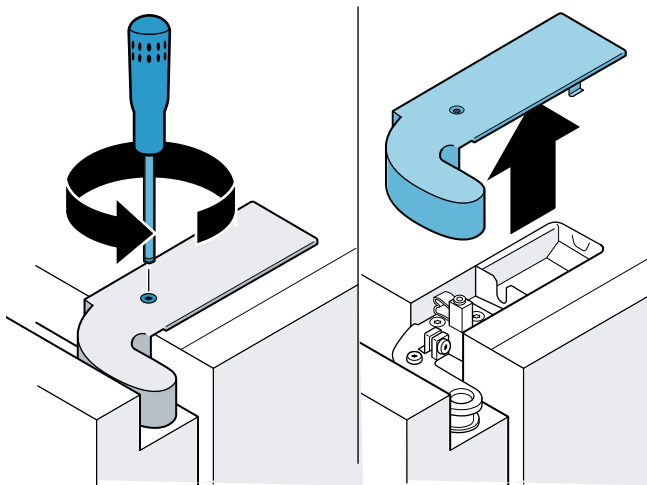
### Align refrigerator compartment doors

#### Align the vertical gap of the doors:



**Note:** Remove the contents from the doors, if present.

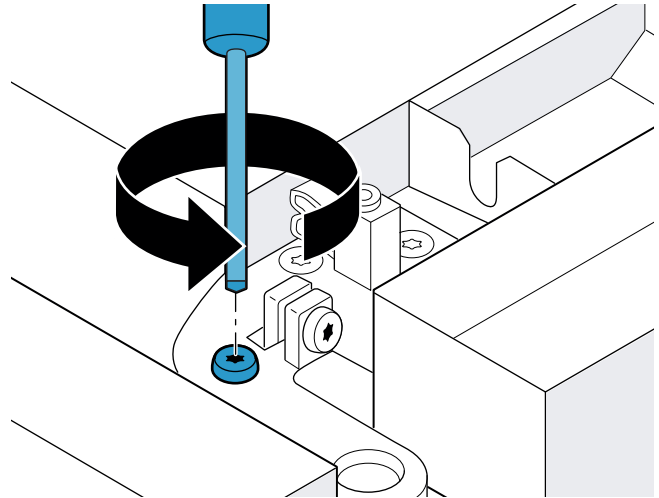
1. Remove the screw T20 and cover cap on the door hinge.



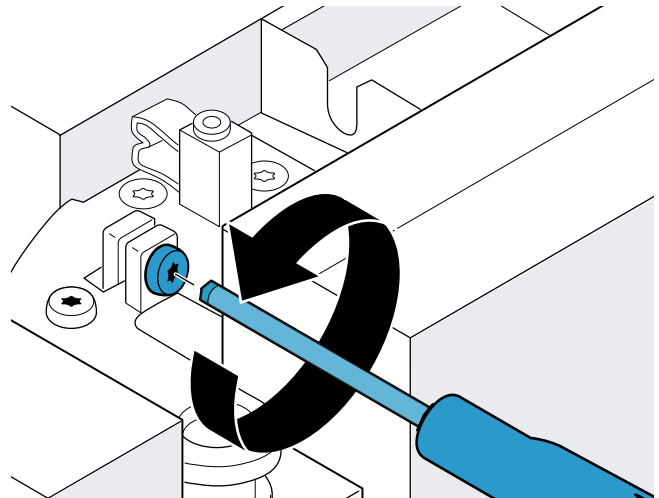
2. Loosen the safety screw.

#### **CAUTION**

Do not remove the safety screw.



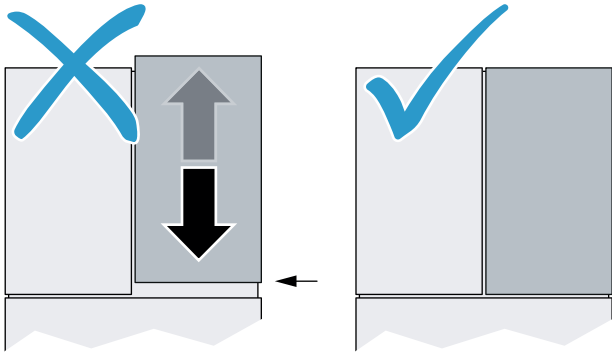
3. Turn the adjustment screw until the desired position is reached when the door is closed.
  - To move the upper end of the door outwards, turn clockwise.
  - To move the upper end of the door inwards, turn counterclockwise.



4. To check the position, close the door and correct if necessary.
5. Tighten the safety screw again.
6. Fit the cover cap and screw in the screw T20 again.



**Align the horizontal gap between the doors:**

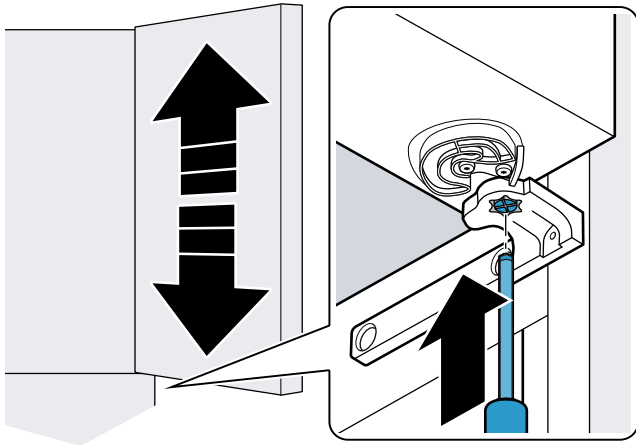


**⚠ CAUTION**

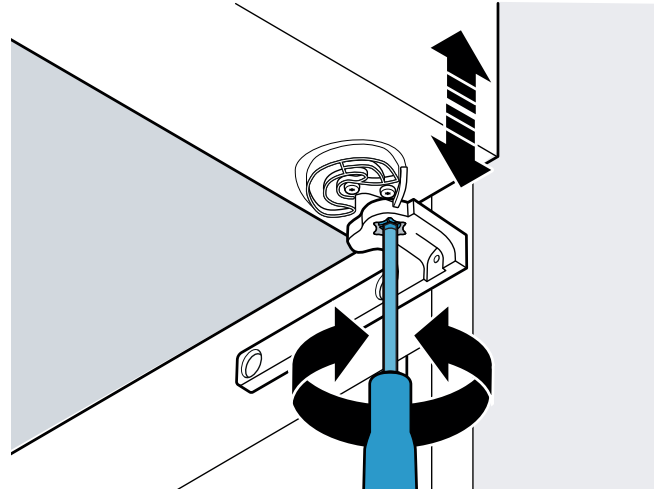
To avoid damage to the appliance, move the right-hand door down if the door pillar at the top collides with the housing.

**Note:** Remove the contents from the doors, if present.

1. Open the door and drawer.
2. Lift the door and insert a screwdriver into the door hinge from below.



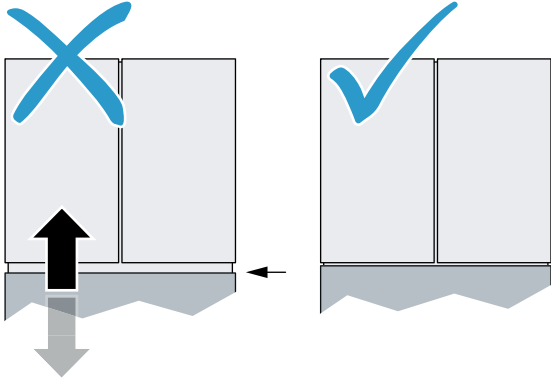
3. Push up the adjustable part and turn by 60° until the desired position is reached.
  - The door height can be set at 2 levels, adjusted by 1/16" (1.5 mm) in each case. The higher level is followed by the lower. The adjustable part engages as soon as a position is reached.
  - To move the door up, turn clockwise.
  - To move the door down, turn counterclockwise.



4. To check the position, close the door and drawer and correct if necessary.

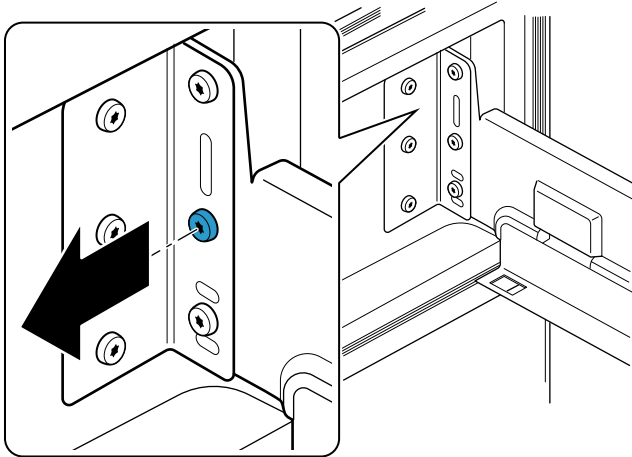
### Aligning the drawers

You can align the drawer vertically:



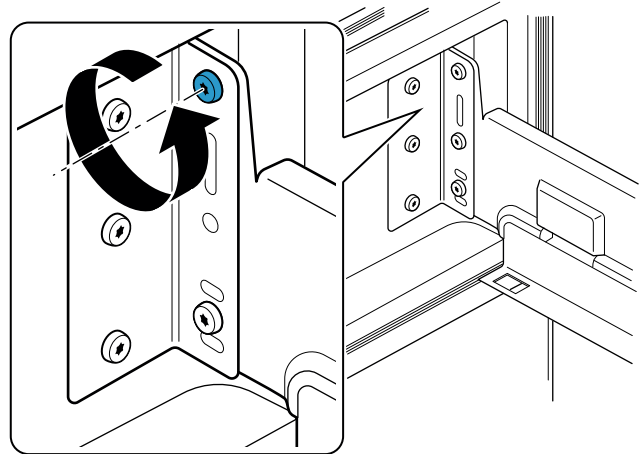
1. Open the drawer as far as it will go and remove the bin.
2. Remove the center screws on both sides.

**Note:** If you want to reset the drawer to the factory settings, keep the screws.



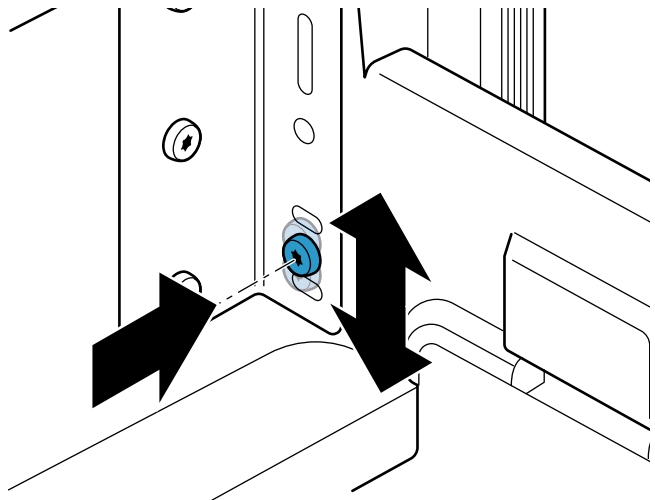
3. Loosen the upper screw on both sides.

**Note:** Do not remove the screws.



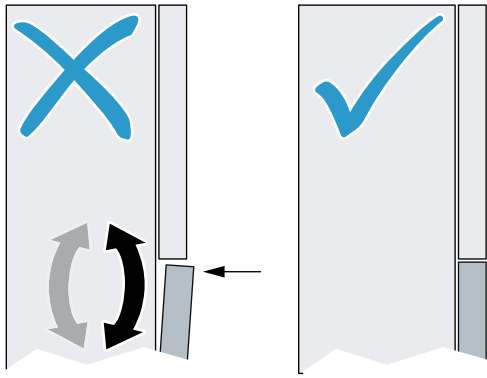
4. Lift the drawer and remove the lower screws on both sides.
5. Move the drawer up or down to the required position and insert the lower screw in one of the available holes.

**Note:** The drawer can be adjusted by 1/16" (2 mm) up and down.



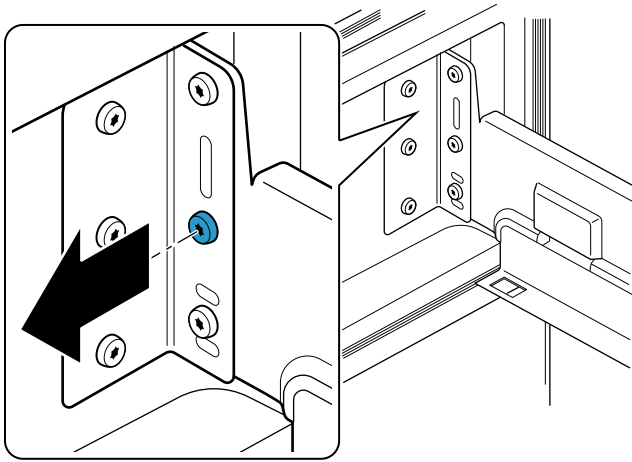
6. Retighten all the screws.
7. To check the position, close the drawer and correct if necessary.

**You can adjust the angle of the drawer:**



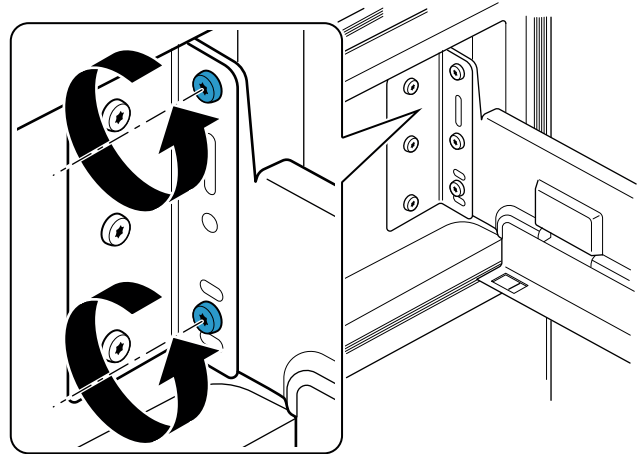
1. Open the drawer as far as it will go and remove the bin.
2. Remove the center screws on both sides.

**Note:** If you want to reset the drawer to the factory settings, keep the screws.

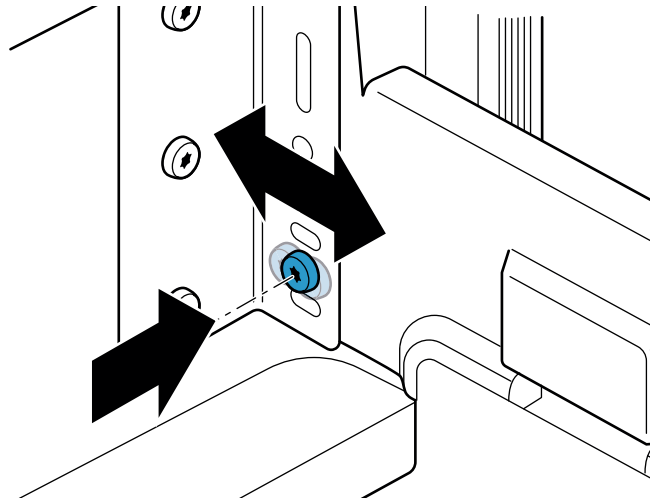


3. Loosen the upper and lower screw on both sides.

**Note:** Do not remove the screws.



4. Move drawer on the lower screw to the left or right into the required position and tighten the screw.



5. Retighten all the screws.
6. To check the position, close the drawer and correct if necessary.

## Saving energy

If you follow the instructions below, your appliance will use less power.

**Note:** The arrangement of the fittings does not affect the energy consumption of the appliance.

Installing the appliance	
Keep the appliance out of direct sunlight.	The appliance needs to cool less frequently at low ambient temperatures and therefore consumes less power.
Install the appliance as far away as possible from heating elements, cooker and other heat sources: At least 1 1/4" (3 cm) from electric or gas cookers. At least 1 3/4" (30 cm) from oil or solid-fuel cookers.	
Select an installation location at a room temperature of approx. 68 °F (20 °C).	
Do not cover or block the ventilation openings.	The appliance needs to cool less frequently if the warm air can escape and therefore consumes less power.
Ventilate the room daily.	
Using the appliance	
Open the appliance door only briefly.	The air in the appliance does not warm up as intensely. The appliance needs to cool less frequently and therefore consumes less power.
Transport purchased food in a cooler and place in the appliance quickly.	
Allow warm food and drinks to cool down before placing in the appliance.	
Thaw frozen food in the refrigerator compartment to utilize the low temperature of the frozen food.	The air can circulate and the humidity will remain constant. The appliance needs to cool less frequently and therefore consumes less power.
Always leave some space between the food and to the back panel.	
Pack food airtight.	
Do not cover or block the ventilation openings.	The appliance consumes less power if the warm air can escape.
Vacuum the ventilation openings once a year or as frequently as needed.	

## Before using for the first time

1. Remove information material, adhesive tape and protective foil.
2. Remove the power cord from the appliance.
3. Clean the appliance.
4. Install the equipment.  
→ "Equipment" on page 16

## Water connection

### CAUTION

- Never bend, crush, modify or cut water hoses.
- Never pull on the water hose on the rear panel of the appliance.
- To avoid damage to the appliance and to ensure its proper functioning, it should only be connected to a drinking water line.
- To avoid water damage, a shut-off valve must be installed.

### Notes

- Installation and connection of the appliance must be carried out by a qualified technician.
- Observe the local regulations for water connection.

## Water pressure of drinking water line

### CAUTION

To avoid damage to the appliance, a pressure relief valve must be installed between the drinking water connection and the hose set if the water pressure exceeds the maximum value.

**Note:** If the water pressure is too low, this will impair functioning of the appliance.

- Water pressure min.: 0.2 MPa (2 bar / 29 psi)
- Water pressure max.: 0.8 MPa (8 bar / 116 psi)

## Electrical connection

### CAUTION

Do not connect the appliance to electronic energy saver plugs.

**Note:** You can connect the appliance to mains-controlled and sine-controlled inverters.

Mains-controlled inverters are used for photovoltaic systems which are connected directly to the national grid. Sine-controlled inverters must be used for isolated applications. Isolated applications, e.g. on ships or in mountain lodges, are not directly connected to the national grid.

1. Insert the power cord plug.
2. Check that the power outlet has been installed according to the regulations and complies with the requirements.

### Requirements for power outlets

Power outlet with protective conductor:	110 V ... 127 V with 60 Hz
Fuse:	10 A ... 16 A

### Maximum simultaneous load

Appliance:	6 A
------------	-----

3. Connect the appliance to an outlet near the appliance.  
The outlet must also be freely accessible following installation of the appliance.

### WARNING

RISK OF ELECTRIC SHOCK!

Never use multiple outlets, extension cords or adapters.

The appliance must be grounded correctly. Never cut through or remove the power cord's third conductor (grounding conductor).

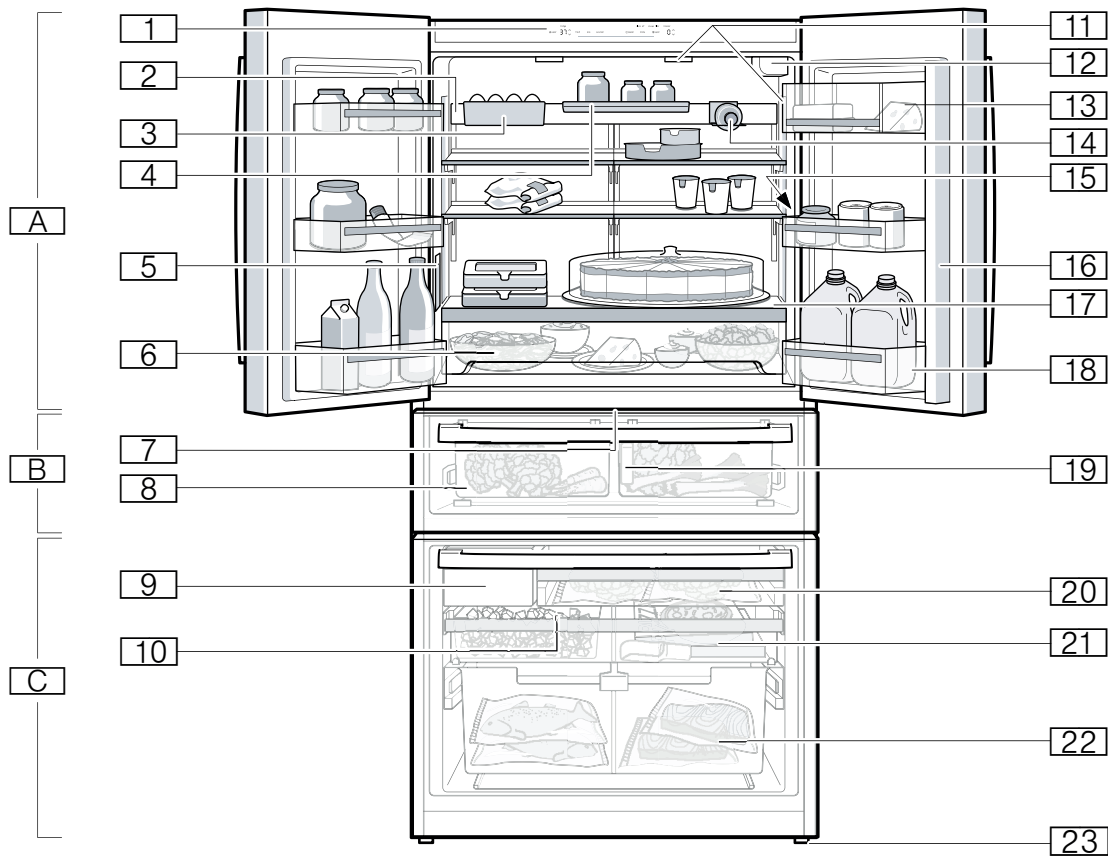
### WARNING

RISK OF ELECTRIC SHOCK!

If the power cord is too short, never use multiple outlets or extension cords. Instead, please contact customer service.

# Getting to know your appliance

## Appliance

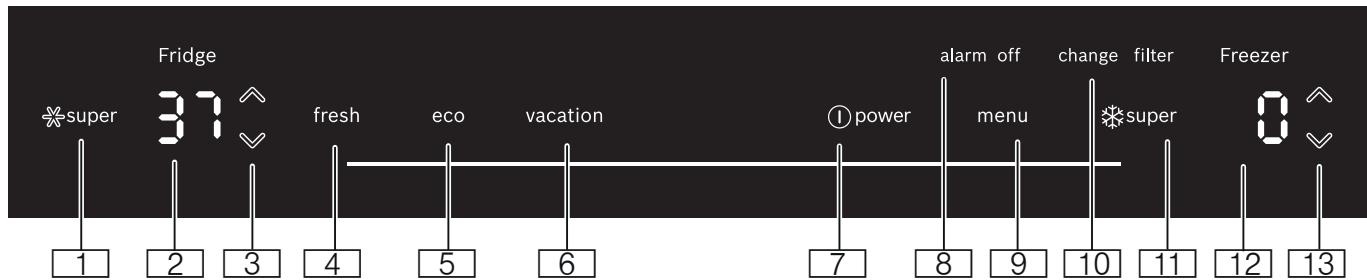


- A** Refrigerator compartment
- B** Cool-fresh compartment
- C** Freezer compartment

- 1** Operating controls
- 2** Equipment bar
- 3** Bin (hanging)
- 4** Shelf (hanging)
- 5** Water dispenser
- 6** Pull-out bin
- 7** Controls for cool-fresh compartment
- 8** Cool-fresh bin
- 9** Ice maker
- 10** Ice cube bin with ice scoop

- 11** Interior light
- 12** Water filter
- 13** Butter and cheese compartment
- 14** Bottle shelf (hanging)
- 15** Rating plate
- 16** Door pillar with condensation protection
- 17** Fixed shelf
- 18** Storage compartment for large bottles
- 19** Ethylene absorber
- 20** Frozen food bin (small)
- 21** Frozen food bin (flat)
- 22** Frozen food bin (large)
- 23** Height-adjustable feet

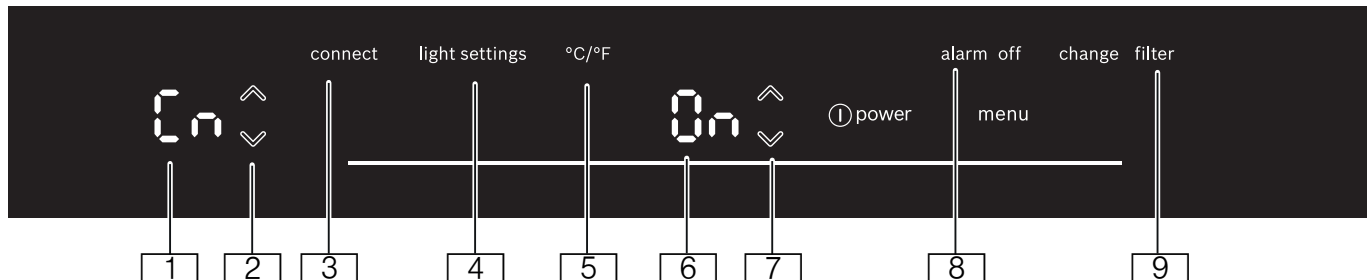
## Operating controls



- 1 Refrigerator compartment **\* super** button  
Switches super cooling on or off.
- 2 Refrigerator compartment temperature display  
Indicates the set temperature in °C/°F.
- 3 Refrigerator compartment  $\wedge/\vee$  button  
Sets the temperature of the refrigerator compartment.
- 4 **fresh** button  
Switches freshness mode on or off.
- 5 **eco** button  
Switches energy-saving mode on or off.
- 6 **vacation** button  
Switches vacation mode on or off.

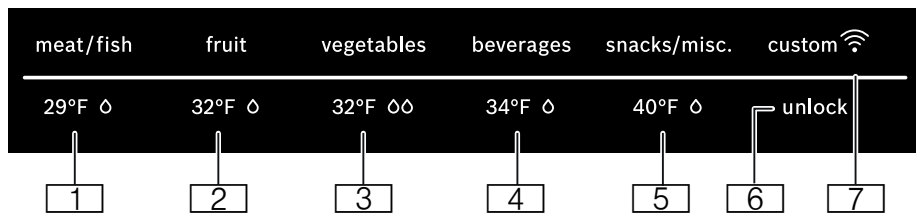
- 7  $\textcircled{1}$  **power** button  
Switches the appliance on or off.
- 8 **alarm off** button  
Switches off the alarm.
- 9 **menu** button  
Opens the menu.
- 10 **change filter** button  
Switches the change filter alarm off.
- 11 Freezer compartment **\* super** button  
Switches super freezing on or off.
- 12 Freezer compartment temperature display  
Indicates the set temperature in °C/°F.
- 13 Freezer compartment  $\wedge/\vee$  button  
Sets the temperature of the freezer compartment.

## Controls submenu



- 1 Submenu display  
Displays the selected submenu.
- 2  $\wedge/\vee$  submenu button  
Used to navigate through the submenu.
- 3 **connect** button  
Opens the Home Connect menu.
- 4 **light settings** button  
Opens the lighting menu.
- 5 **°C/°F** button  
Opens the temperature unit menu.
- 6 Settings display  
Displays the settings of the submenu.
- 7  $\wedge/\vee$  Settings button  
Changes the settings of the submenu.
- 8 **alarm off** button  
Opens the alarm menu.
- 9 **change filter** button  
Opens the filter menu.

### Controls for cool-fresh compartment



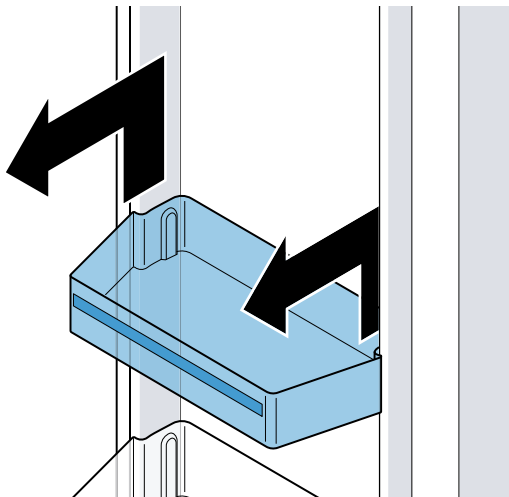
- 1 **29°F Δ** button  
Sets the temperature in the cool-fresh compartment to 29 °F (-2 °C), and the humidity to low.
- 2 **32°F Δ** button  
Sets the temperature in the cool-fresh compartment to 32 °F (0 °C), and the humidity to low.
- 3 **32°F ΔΔ** button  
Sets the temperature in the cool-fresh compartment to 32 °F (0 °C), and the humidity to high.
- 4 **34°F Δ** button  
Sets the temperature in the cool-fresh compartment to 34 °F (1 °C), and the humidity to low.

- 5 **40°F Δ** button  
Sets the temperature in the cool-fresh compartment to 40 °F (4 °C), and the humidity to low.
- 6 **unlock** button cool-fresh compartment  
Unlocks the controls of the cool-fresh compartment.
- 7 Light bar **custom**   
Lights up if user-defined settings have been set via the Home Connect app. For more information, see the Home Connect app.

### Equipment

#### Storage compartment

- You can remove the storage compartment:
- Lift up the storage compartment and remove.

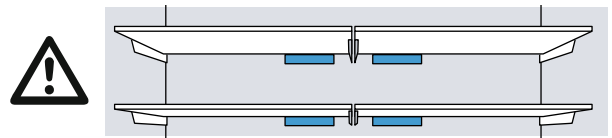
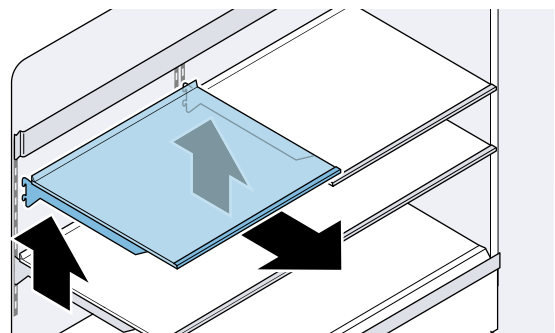


#### Shelf

- You can remove and adjust the shelf:
- Lift shelf and remove.

#### Notes

- Do not cover the ventilation openings.
- Insert shelf carefully to avoid scratching the appliance.
- Ensure that the hooks are fully inserted and the shelf is horizontal.



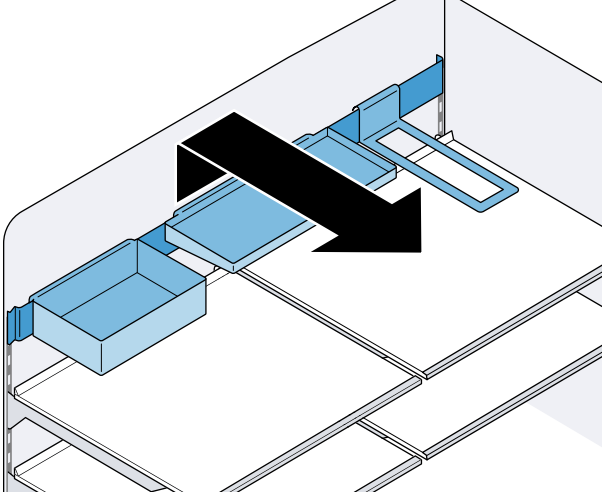


### Equipment bar

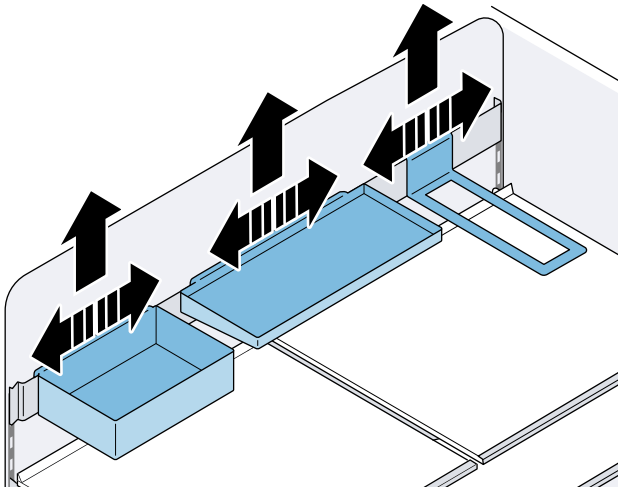
You can remove and adjust the equipment bar:

1. Lift equipment bar and remove.
2. When re-inserting, insert hooks on back of the equipment bar at same height to make the equipment bar level.

**Note:** Insert the equipment bar carefully to avoid scratching the appliance.



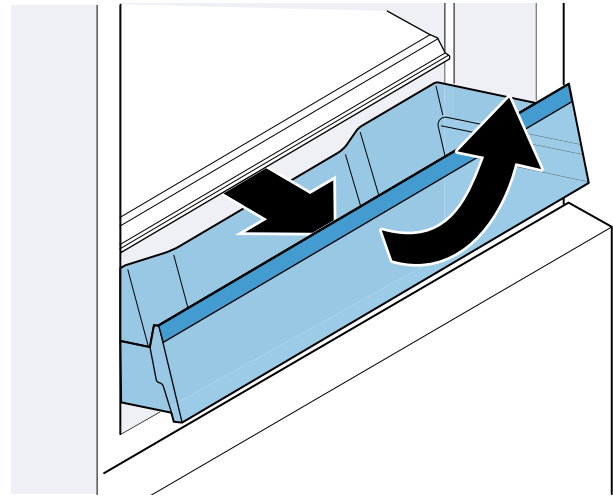
**Note:** You can remove the bin (hanging), the shelf (hanging) and the bottle shelf (hanging) and move them laterally.



### Pull-out bin

You can remove the bin:

- Pull out the bin all the way, lift at the front and remove.



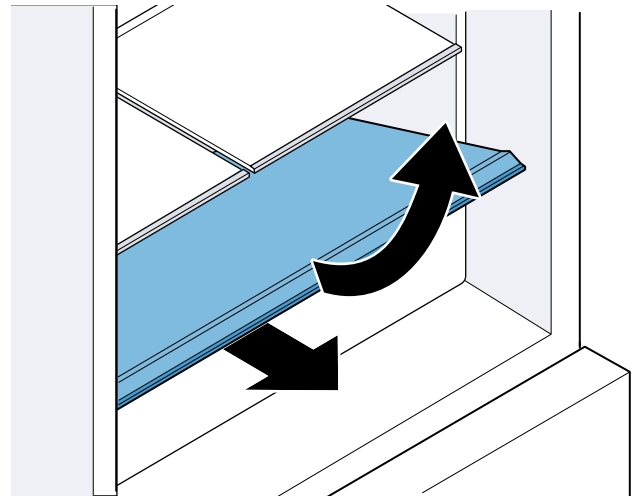
You can insert the bin:

- Pull out the telescopic rails all the way
- Place the bin on the telescopic rails and push into the appliance until it engages.

### Fixed shelf

You can remove the shelf:

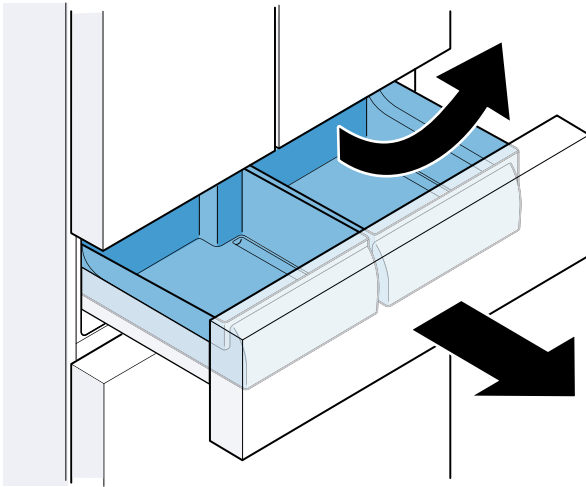
- Open the bin, lift the shelf at the front and remove.



### Cool-fresh bin

You can remove the bin:

1. Pull the drawer all the way out.
2. Lift the bin at the front and remove.

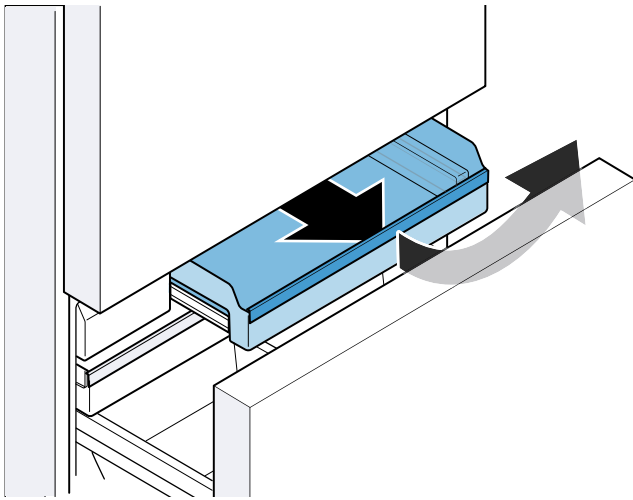


**Note:** During insertion, the rail guide of the bin and drawer must fit together.

### Frozen food bin (small)

You can remove the bin:

- Pull out the bin all the way, lift at the front and remove.



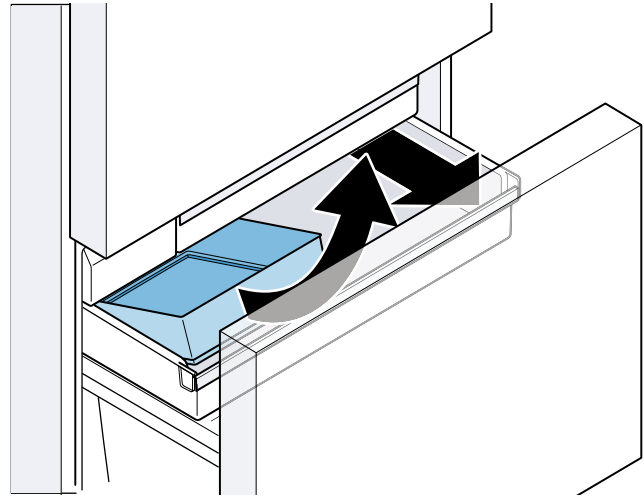
You can insert the bin:

- Pull out the telescopic rails all the way.
- Place the bin on the telescopic rails and push into the appliance until it engages.

### Ice cube bin

You can remove the ice cube bin:

- Pull out the frozen food bin (flat) as far as it will go and remove the ice cube bin.



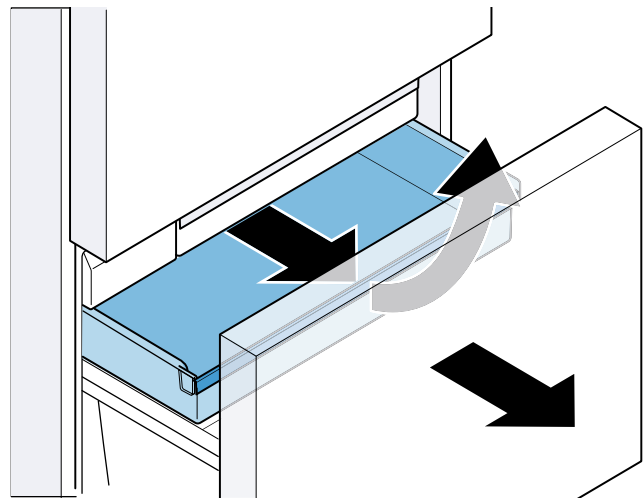
### Notes

- Use the ice scoop to remove ice cubes from the ice cube bin.
- To ensure that ice cube production does not stop too soon, do not store the ice scoop in the ice cube bin.

### Frozen food bin (flat)

You can take out the frozen food bin (flat):

1. Pull the frozen food bin all the way out.
2. Pull the frozen food bin (flat) out, lift and remove.



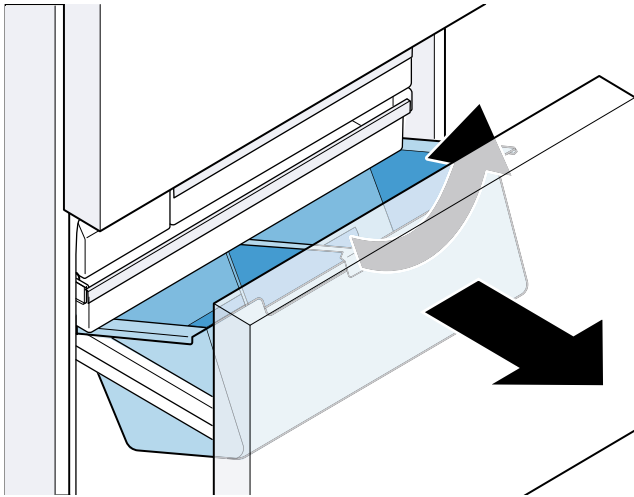
## Frozen food bin (large)

### ⚠ CAUTION

To avoid damage to equipment, never remove the partition wall from the frozen food bin (large).

You can take out the frozen food bin (large):

1. Pull the freezer compartment drawer all the way out and remove the frozen food bin (flat).
2. Lift the frozen food bin (large) and remove it.



## Water filter

**Note:** After installing a new water filter, for hygiene reasons discard the ice cubes produced within the first 24 hours or dispense water for 5 minutes and discard.

The water filter supplied filters particles and the taste of chlorine out of the water, not bacteria or microbes:

- Replace the water filter every 6 months or as frequently as needed.

You can also use the appliance without an internal water filter if you use an external water filter system. To do this, replace the water filter with a bypass filter:

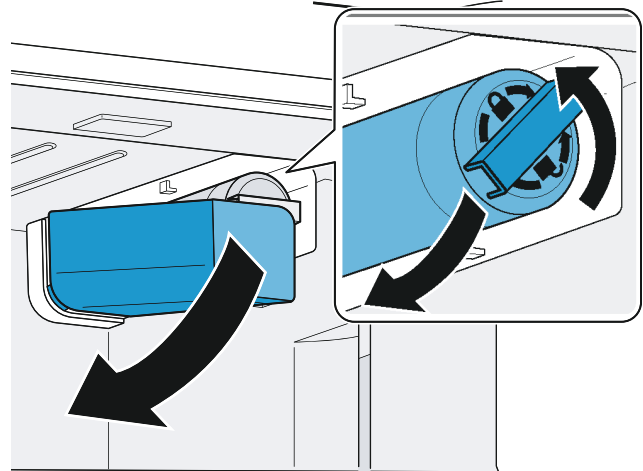
- The bypass filter filters coarse particles from the drinking water and can be cleaned as required.
- The bypass filter can remain in the appliance permanently and does not need to be changed.
- Switch off the change filter alarm every 6 months.  
→ "Change filter alarm" on page 22

A new water filter or bypass filter can be purchased from customer service or a specialist dealer.

Change water filter or replace with bypass filter:

### Notes

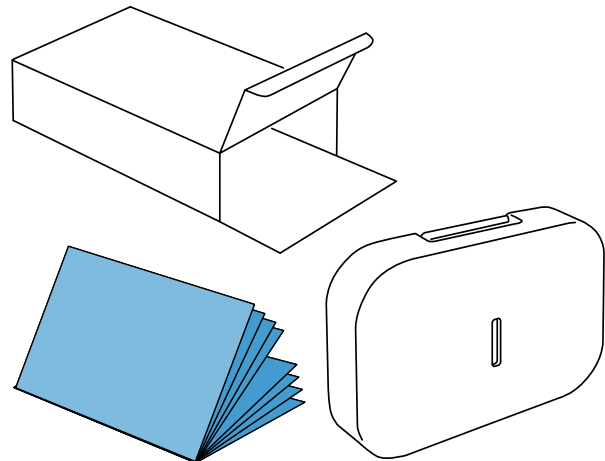
- When changing, some water will drip from the filter. Wipe drips dry with a soft cloth.
  - You can dispose of the used filter with your household garbage.
1. Reach into the lower recess of the filter cover, pull forwards slightly and move to the bottom left.
  2. Turn the filter 90° counterclockwise and remove.
  3. Insert the new filter in the filter opening to the stop and turn 90° clockwise as far as it will go.
  4. Move the filter cover up to the right again and slide back as far as it will go.



## Ethylene absorber

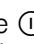
Fasten the ethylene absorber in the cool-fresh bin.

**Note:** For more information about installation and use, see the installation and operating instructions for the ethylene absorber.



## Operating the appliance

### Switching the appliance on


1. Press the  **power** button.  
The appliance begins to cool. The warning sound, the flashing freezer compartment temperature display and the illuminated **alarm off** button indicate that the freezer compartment is still too warm.
2. Press the **alarm off** button.  
The warning sound switches off.
3. Set the required temperature.

### Operating tips

- When the appliance has been switched on, it may take several hours until the set temperatures have been reached. Do not put in any food until the selected temperature has been reached.
- The fully automatic NoFrost system ensures that the appliance remains frost-free. Defrosting is not required.
- The front sides of the housing are partly heated slightly. This prevents condensation in the area of the door seal.

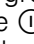
### Switching off and disconnecting the appliance

#### Switching off the appliance

- Press  **power** button.  
The appliance is no longer cooling.


#### Disconnecting the appliance

If you do not use the appliance for a prolonged period:

1. Turn off the water supply to the appliance.
2. Remove groceries.
3. Press the  **power** button.
4. Pull out the power plug or switch off the fuse.  
The appliance is no longer cooling.
5. Remove the water filter, empty the ice cube bin and clean the appliance.
6. Leave the doors and drawers of the appliance open.

### Setting the temperature unit

You can choose between the units °C and °F:

1. Press **menu** button.
2. Press **°C/°F** button.
3. Press  Settings button until settings display shows **°C** or **°F**.
4. Press **menu** button.  
The setting is saved.

### Setting the temperature

#### Recommended temperature

Refrigerator compartment:	37 °F (3 °C)
Cool-fresh compartment:	32 °F (0 °C)
Freezer compartment:	0 °F (-18 °C)

#### Cooling compartment

- Keep pressing the  button until the display indicates the required temperature.

#### Freezer compartment

- Keep pressing  button until the display indicates the required temperature.

### Setting cool-fresh compartment

You can set the temperature and the humidity of the cool-fresh compartment using pre-defined storage settings:

1. Open the cool-fresh compartment drawer.
2. Press any button of the cool-fresh compartment controls.
3. Press and hold the **unlock** cool-fresh compartment button until the light bar is fully illuminated.
4. Press the required storage setting button.
5. Close the cool-fresh compartment drawer.  
The setting is saved.

### Super cooling

Super cooling cools the refrigerator compartment as cold as possible.


Switch on super cooling, e.g.:

- Before placing large quantities of food into the compartment
- For cooling drinks quickly

**Note:** When super cooling is switched on, increased operating noises may occur.

After approx. 6 hours, the appliance switches to normal operation.

Switch super cooling on/off:

- Press  **super** button refrigerator compartment.  
When super cooling is switched on, the button lights up.

## Super freezing

With super freezing, the freezer compartment cools down to the coldest temperature setting of the freezer compartment.

Switch on super freezing, e.g.:

- To quickly freeze food all the way to the center
- 1 ... 2 hours before freezing food weighing 4.5 lbs (2 kg) or more
- To increase ice cube production

**Note:** When super freezing is switched on, increased operating noise may occur.

After approx. 8 hours, the appliance automatically returns to normal operation.

Switching super freezing on/off:

- Press **\* super** button.  
When super freezing is switched on, the button is lit.

## Energy saving mode

You can set the appliance to save energy with energy-saving mode.

The appliance automatically sets the following temperatures:

- Refrigerator compartment: 43 °F (6 °C)
- Cool-fresh compartment: 32 °F (0 °C)
- Freezer compartment: 6 °F (-14 °C)

Switch energy-saving mode on or off:

- Press **eco** button.  
The temperature is changed, and the display shows the new temperature. When energy-saving mode is switched off, the last temperature displayed is set.

## Freshness mode

Food stays fresh for even longer with freshness mode.

The appliance automatically sets the following temperatures:

- Refrigerator compartment: 36 °F (2 °C)
- Cool-fresh compartment: 32 °F (0 °C)

The temperature in the freezer compartment remains unchanged.

Switch freshness mode on or off:

- Press the **fresh** button.  
The temperature is changed, and the display shows the new temperature. When freshness mode is switched off, the recommended temperature is set.

## Vacation mode

If leaving the appliance for a long period, you can switch it to energy-saving vacation mode.

The appliance automatically sets the following temperatures:

- Refrigerator compartment: 43 °F (6 °C)
- Cool-fresh compartment: 40 °F (4 °C)

The temperature in the freezer compartment remains unchanged.

Switching on vacation mode:

- Press **vacation** button.  
The temperature is changed, and the display shows the new temperature.

Switching off vacation mode:

- Press **vacation** button.  
The last temperature displayed is set.  
For hygiene reasons, dispense water for 5 minutes and discard.

## Sabbath mode

All non-essential functions are switched off so you can also use the appliance on the Sabbath.

The appliance switches off the following:

- Super cooling and super freezing
- Audible signals
- Interior light
- Messages on the control panel
- Water dispenser
- Ice maker

**Note:** Background illumination of display is reduced in Sabbath mode.

Switching on Sabbath mode:

- Press the **vacation** button for 10 seconds and hold it until an audible signal sounds.  
When Sabbath mode is switched on, the **alarm off** display illuminates.

Switching Sabbath mode off:

- Press the **alarm off** display for 5 seconds and hold it until an audible signal sounds.

**Note:** After approx. 72 hours, the appliance automatically returns to normal operation.

## Setting the light


You can adjust the brightness levels of the interior lighting from **0** ... **5**:

### Note:

**0** = lighting off

**1** = minimum brightness

**5** = maximum brightness

1. Press the **menu** button.
2. Press the **light settings** button.  
The submenu display shows **In**.
3. Press  Settings button repeatedly until the settings display shows the desired brightness level.
4. Press the **menu** button.  
The setting is saved.

## Change filter alarm

The change filter alarm switches on every 6 months, the **change filter** button lights up.

Switching off the change filter alarm:


1. Change water filter or replace with bypass filter.  
→ "Water filter" on page 19
2. Press and hold the **change filter** button for 3 seconds.  
The change filter alarm switches off, the **change filter** button is no longer illuminated. The water filter timer is reset automatically.

If you replace the water filter before 6 months, reset the water filter timer manually:

### Note:

**1** = water filter timer running

**0** = reset water filter timer

1. Press the **menu** button.
2. Press the **change filter** button.
3. Press  Settings button until settings display shows **0**.
4. Press the **menu** button.  
The setting is saved.

## Alarm

### Door alarm

If the appliance door is left open for a while, a warning sound is switched on and the **alarm off** button flashes.

Switching off door alarm:

- Close the door or press the **alarm off** button.  
The warning sound is switched off and the **alarm off** button no longer flashes.

You can switch the door alarm warning sound on or off:

**Note:** **On** = switch on door alarm warning sound

**OF** = switch off door alarm warning sound

1. Press the **menu** button.
2. Press the **alarm off** button.
3. Press the  Settings button until settings display shows **On** or **OF**.
4. Press the **menu** button.  
The setting is saved.

### Temperature alarm

If the freezer compartment becomes too warm, the warning sound switches on and the **alarm off** button flashes.

### CAUTION

DURING THE THAWING PROCESS, BACTERIA MAY DEVELOP AND SPOIL THE FROZEN ITEMS

Do not refreeze partly or completely thawed food.

Refreeze food only after cooking. The frozen items should no longer be stored for the maximum storage period.

**Note:** The temperature alarm can be set off without risk to the frozen food in the following situations:

- The appliance is switching on.
- If the freezer compartment door has been open too long.
- Large quantities of fresh food are being placed inside.

Switching off the temperature alarm:

1. Check that the cause of the temperature alarm has been eliminated.
2. Press the **alarm off** button.  
The warning sound will be switched off and the freezer compartment temperature display will briefly indicate the warmest temperature reached in the freezer compartment. Then the display indicates the set temperature again. The warmest temperature will be measured again and saved.

**Note:** The **alarm off** button remains lighted until the set temperature has been reached again.

## Home Connect

This appliance is Wi-Fi-capable and can be controlled remotely using a mobile device.

**Note:** Wi-Fi is a registered trade mark of the Wi-Fi Alliance.

In the following cases, the appliance functions like a refrigerator without a network connection and can still be operated manually via the controls:

- The appliance is not connected to a home network.
- The availability of the Home Connect function depends on the availability of Home Connect services in your country. Home Connect services are not available in every country. You can find more information on [www.home-connect.com](http://www.home-connect.com).

**Note:** Please observe the safety information in this instruction manual. Ensure that this is also observed if you operate the appliance via the Home Connect app and are not at home when doing so.

→ "Important safety instructions" on page 3

Follow the instructions in the Home Connect app as well.

### Setting up Home Connect

#### Notes

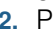
- Take note of the Home Connect supplementary sheet, which is available for download at <http://www.bosch-home.com> together with the instructions. To do so, enter the E-number of your appliance in the search field.
- After switching on the appliance, wait at least two minutes until the internal device initialization process has been completed. Only then start setting up Home Connect.
- To be able to make settings with Home Connect, you need to install the Home Connect app on your end device.  
To do this, please take note of the documentation that has also been supplied from Home Connect.


Follow the steps specified by the app to make the settings.

- If the device is not operated for a prolonged period, the Home Connect menu will close automatically. You can find information on how to open the Home Connect menu at the start of the appropriate chapter.

#### Automatic connection with the WLAN home network (Wi-Fi)

If a router with WPS function is available, the refrigerator can be automatically connected to the home network.

1. Press **menu** button.  
The **connect** button lights up. The submenu display shows **Cn**.
2. Press  submenu button repeatedly until submenu display shows **AC** and the settings display **OF**.



3. Press  Settings button.  
The appliance is ready for automatic connection. The settings display shows an animation for 2 minutes.  
The appliance is ready for automatic connection for as long as the animation is displayed.
4. Within those 2 minutes, activate the WPS function on the home network router (e.g. using WPS button, note the information in the router documentation).  
If the connection is successful, **On** flashes in the settings display.  
The refrigerator is ready to connect with the app.

**Note:** If the settings display shows **OF**, it was not possible to establish a connection.

1. Check whether the refrigerator is located within the range of the WLAN home network (Wi-Fi).
2. Repeat the process or establish the connection manually.

#### Manual connection with the WLAN home network (Wi-Fi)

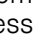
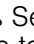
If the available router does not have a WPS function, or if this is unknown, you can connect the refrigerator to the WLAN home network (Wi-Fi) manually.

1. Press the **menu** button.  
The **connect** button lights up. The submenu display shows **Cn**.
2. Press the  submenu button repeatedly until submenu display shows **SA** and the settings display **OF**.
3. Press the  Settings button.  
The appliance is ready for manual connection. The settings display shows an animation.  
The appliance is ready for manual connection for as long as the animation is displayed.
4. The refrigerator has now set up its own WLAN home network (Wi-Fi) with the network name HomeConnect.  
You can now access this network with your mobile device.
5. Follow the instructions in the app until the process is complete.
  - If the connection is successful, **On** flashes in the settings display.  
The device connects automatically to the app.
  - If the settings display shows **OF**, it was not possible to establish a connection.  
Check whether the refrigerator is located within the range of the WLAN home network (Wi-Fi).  
Repeat the process.

#### Connecting the refrigerator to the Home Connect app

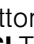
The appliance automatically connects to the app with set-up for the first time after a connection to the WLAN home network has been established (Wi-Fi).

If the appliance does not automatically connect to the app, connect the appliance manually:

1. Press the **menu** button.  
The **connect** button lights up. The submenu display shows **Cn**.
  2. Press the  submenu button repeatedly until the submenu display shows **PA** and the settings display **OF**.
  3. Press  Settings button to connect the appliance to the app.  
The settings display shows an animation.  
As soon as the refrigerator and the app are connected, the settings display shows **On**.
  4. Open the app and wait until the refrigerator is displayed.  
Press **Add** to confirm the connection between the app and the refrigerator.  
If the refrigerator is not automatically displayed, click on **Add appliance** in the app and follow the instructions. As soon as your refrigerator is displayed, add it with **+**.
  5. Follow the instructions in the app until the process is complete.  
The submenu display shows **PA** and the settings display **On**.  
The refrigerator has been connected to the app.  
If the connection fails, check whether the mobile device is connected to the WLAN home network (Wi-Fi).  
Then try to establish the connection again.  
If the settings display shows **Er**, reset the Home Connect settings.
- Note:** On resetting, all Home Connect settings are reset.

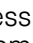

### Verifying signal strength

You should verify the signal strength if no connection can be established.

1. Press the **menu** button.  
The **connect** button lights up. The submenu display shows **Cn**.
2. Press the  submenu button repeatedly until the submenu display shows **SI**. The settings display shows a value between 0 (no reception) and 3 (full reception).  
The signal strength should be at least 2. If the signal strength is too weak, the connection may be interrupted.
  - Place the router and refrigerator closer together.
  - Check that screening walls do not interfere with the connection.
  - Alternatively, install a repeater to make the signal stronger.

### Reset Home Connect settings

If there is a problem when trying to establish a connection, or if you would like to register the appliance on a different WLAN home network (Wi-Fi), the Home Connect settings can be reset:

1. Press the **menu** button.  
The **connect** button lights up. The submenu display shows **Cn**.
2. Press the  submenu button repeatedly until submenu display shows **rE** and the settings display **OF**.
3. Press  Settings button.  
The settings display shows an animation for 15 seconds.  
The display then shows **OF** settings.  
The Home Connect settings have been reset.

### Installing updates for the Home Connect software

The refrigerator checks at regular intervals whether updates are available for the Home Connect software.

If an update is available, the submenu display shows **UP**:

- Confirm update in Home Connect app.  
Do not switch the refrigerator off during updates. The settings display shows an animation. The update is being installed.

**Note:** All buttons are locked during installation.

- If installation has been completed successfully, the settings display shows **On**.
- If installation has not been completed successfully, the settings display shows **Er**.  
Start the update again at a later time.  
If installation could not be completed even after multiple attempts, notify customer service.

Press any button to reset the display to the set temperature.

### Information on data protection

The first time your Home Connect appliance is registered on a WLAN home network connected to the Internet (Wi-Fi), your appliance will transmit the following types of data to the Home Connect server (initial registration):

- Unique appliance identification (consisting of appliance codes as well as the MAC address of the installed Wi-Fi communication module).
- Security certificate of the Wi-Fi communication module (to ensure a secure data connection).
- The current software and hardware version of your domestic appliance.
- Status of any previous resetting to factory settings.

This initial registration prepares the Home Connect functions for use and is only required when you want to use these Home Connect functions for the first time.

**Note:** Please note that the Home Connect functions can be utilized only in conjunction with the Home Connect app. Information on data protection can be called up in the Home Connect app.



## Refrigerator compartment

The refrigerator compartment is suitable for storing meat, sausages, fish, dairy products, eggs, ready meals and pastries.

The temperature can be set from +33 °F (1 °C) ... 43 °F (6 °C).

The refrigerator compartment can also be used to store highly perishable groceries in the short to medium term. A temperature of +39°F (+4°C) or lower ensures optimum freshness and hygiene of the stored groceries.

### Note when storing food

- Store fresh, undamaged food.  
The quality and freshness will then be retained for longer.
- In the case of convenience products and bottled goods, do not exceed the minimum sell-by date or use-by date specified by the manufacturer.
- To retain aroma, color and freshness, pack or cover food well before placing it into the appliance.  
This will prevent flavors being transferred between foods and the plastic parts from becoming discolored.
- Leave warm food and drinks to cool down before placing them into the refrigerator compartment.

## Cool-fresh compartment

With cool-fresh storage, you can keep fresh foodstuff fresh for up to three times longer than in the refrigerator compartment – for even longer freshness and nutrient retention, and consistent flavor.

You can select pre-defined storage settings directly using the cool-fresh compartment controls or adjust the humidity and temperature from 29 °F (–2 °C) ... 40 °F (4 °C) with the Home Connect app.

### Cool-fresh bin

The storage climate in the cool-fresh bin offers ideal conditions for storing fish, meat and sausage, as well as fruit and vegetables.

#### Notes

- Store food no higher than the bin rim to avoid detaching the lid of the cool-fresh bin.
- Never store fruit and vegetables in a cool-fresh bin with meat or fish.
- Fruit sensitive to cold (e.g. pineapple, banana, papaya and citrus fruit), and vegetables sensitive to cold (e.g. eggplants, cucumbers, zucchini, peppers, tomatoes and potatoes) should be stored outside the refrigerator at temperatures of approx. 46 °F (8 °C) ... 54 °F (12 °C) for optimal preservation of quality and flavor.
- Condensation may form in the cool-fresh bin depending on the type and quantity of food stored.  
Remove condensation with a dry cloth and adjust the humidity in the cool-fresh bin with the controls for cool-fresh compartment.

### Storage recommendations

Set the pre-defined storage settings depending on what and how much you are storing.

#### Note:

Δ = low humidity

ΔΔ = high humidity

Meat, fish and seafood	<b>29°F</b> Δ button
Fruit, mixed load with fruit and vegetables, sausage, cheese and dairy products	<b>32°F</b> Δ button
Vegetables	<b>32°F</b> ΔΔ button
Beverages	<b>34°F</b> Δ button
Snacks/Miscellaneous	<b>40°F</b> Δ button

## Freezer compartment

The freezer compartment is suitable for:

- storing frozen food
- making ice cubes
- freezing food

The temperature can be set from 6 °F (-14 °C) ... -7 °F (-22 °C).

The freezer compartment can be used to store perishable foods long-term almost without any noticeable reduction in quality, as the low temperatures considerably slow down or stop deterioration. Appearance, flavor and all valuable ingredients are largely retained.

The time between putting fresh food in the freezer compartment and it freezing solid depends on the following factors:

- temperature set
- type of food
- amount of food in the freezer compartment
- quantity and type of storage

## Water dispenser

You can dispense cold water using the water dispenser.

**Note:** The water dispenser will only work when the appliance is connected to a drinking water supply and a filter is installed.

### Before using the appliance for the first time

- Once the refrigerator has been connected or a new water filter has been installed, there will be air in the water circuit. Keep dispensing water until it contains no more bubbles. Wipe splashes dry with a soft cloth.
- For hygiene reasons, dispense water for 5 minutes and discard.

## Observing drinking water quality

All materials used in the water dispenser are odorless and tasteless.

If the water has an aftertaste, this may be due to the following causes:

- Mineral content and chlorine content of the drinking water
- Material of the water line leading to the appliance
- Freshness of the drinking water

### Notes


- If you dispense water again after a long time, it may taste stale. Allow water to dispense for 5 minutes and discard.
- You will obtain optimum water quality if you dispense some water regularly.

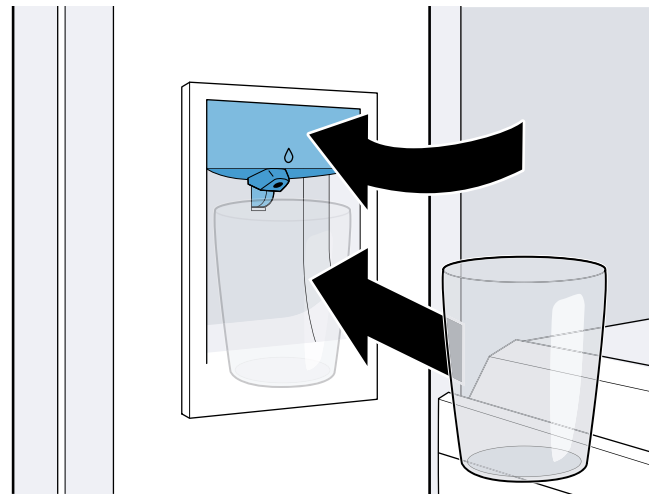
## Dispensing water

### CAUTION

To avoid water damage to the floor or to the appliance, never dispense water without a glass underneath.

### Notes

- To avoid water damage, the function automatically stops after 30 seconds of continuous water dispensing. If you want to dispense more water, wait 5 seconds.
  - You can dispense water up to five times in succession, after which the function stops automatically. If you want to dispense more water, wait 2 minutes.
  - The dispensed water is cooled to a palatable temperature. To obtain a colder drinking temperature, put additional ice cubes in the glass.
  - The water may become warmer when dispensing large amounts of water.
1. Hold the glass under the water dispenser.
  2. Push the glass upwards against the dispenser lever or press  button until the glass contains the amount of water required.



## Ice maker

The ice maker produces ice cubes.

**Note:** The ice maker will only work when the appliance is connected to a drinking water supply and a filter is installed.

### Before using the appliance for the first time

- Switch on ice cube production.  
As soon as the freezer compartment reaches the set temperature, the first batch of ice cubes will be ready in approximately 4 hours.
- For hygiene reasons discard the ice produced within the first 24 hours.

### Switching ice cube production on or off

#### WARNING


RISK OF INJURY!

Never reach under or into the ice maker.

#### CAUTION

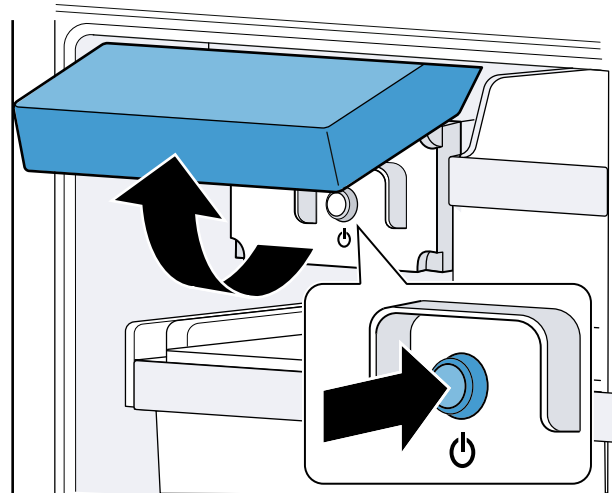
Damage to the appliance!

Never store bottles or food in the ice cube bin when ice cube production is switched on. This may block and damage the ice maker.

1. Open the freezer drawer up to the stop.
2. Move up the ice maker flap to open.
3. Press  button for the ice maker.  
If ice cube production is switched on, the button lights up.
4. Close the ice maker flap and freezer compartment drawer.

### Notes

- Once ready, ice cubes are automatically discharged into the ice cube bin.
- Ice cube production stops automatically when the maximum filling level of the ice cube bin is reached.
- You can accelerate ice cube production by setting a colder freezer compartment temperature or switching on super freezing. This will slightly increase energy consumption.
- If ice cubes taste stale, discard the rest and the cubes produced over the next 24 hours. If ice cubes still taste stale, change the water filter.



## Defrosting

The fully automatic NoFrost system ensures that the appliance remains frost-free. Defrosting is not required.

## Cleaning


### CAUTION

AVOID DAMAGING THE APPLIANCE AND THE EQUIPMENT.

- Do not use abrasive, chloride-based or acidic cleaning agents or solvents.
- Do not use stainless steel cleanser for the outside of the appliance.
- Do not use scouring or abrasive sponges. The metallic surfaces may corrode.
- Never clean the shelves or bins in the dishwasher. The parts may become deformed.

### Cleaning the appliance interior

Proceed as follows:

1. Press  **power** button.
2. Take out food and store in a cool location. Place ice pack (if available) on the food.
3. Clean the appliance with a soft cloth, lukewarm water and a little pH-neutral washing-up liquid.

### CAUTION

The rinsing water must not run into the light.

4. Wipe door seal with clean water and dry thoroughly with a cloth.
5. Switch appliance back on and put in food.

### Cleaning the fittings

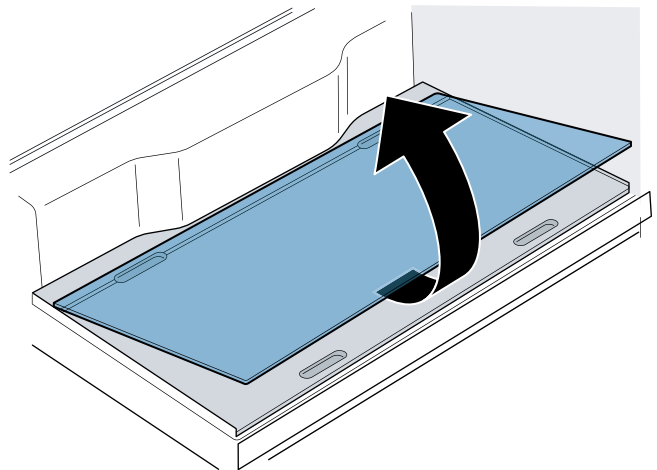
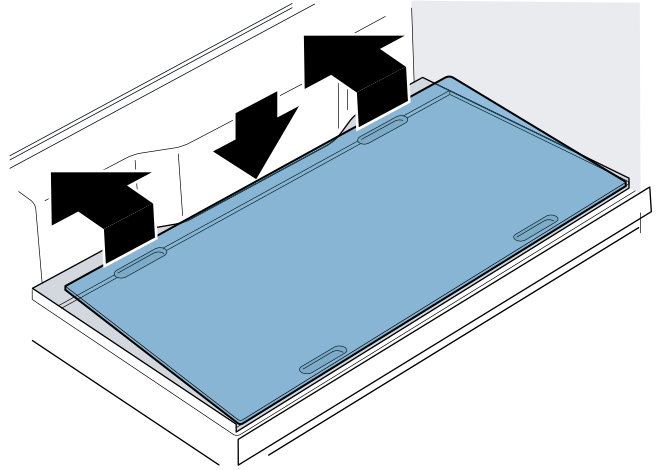
To clean, take the variable parts out of the appliance.

→ "Equipment" on page 16

### Glass plate partition

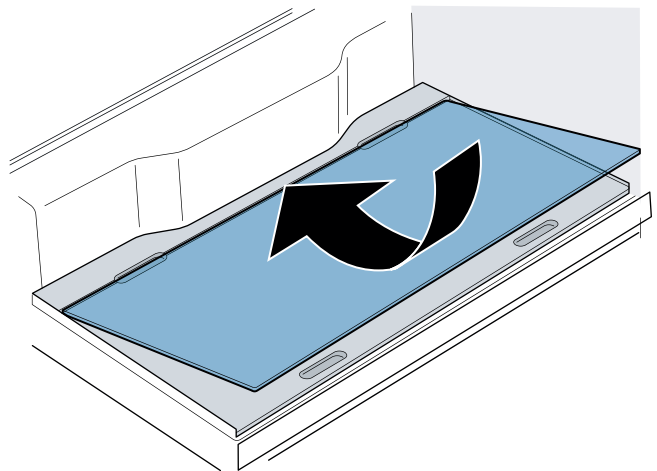
#### Remove the glass plate:

1. Reach into the back of the recess, lift the glass plate and push right back.
2. Reach into the front of the recess, lift the glass plate at the front and remove.



#### Install the glass plate:

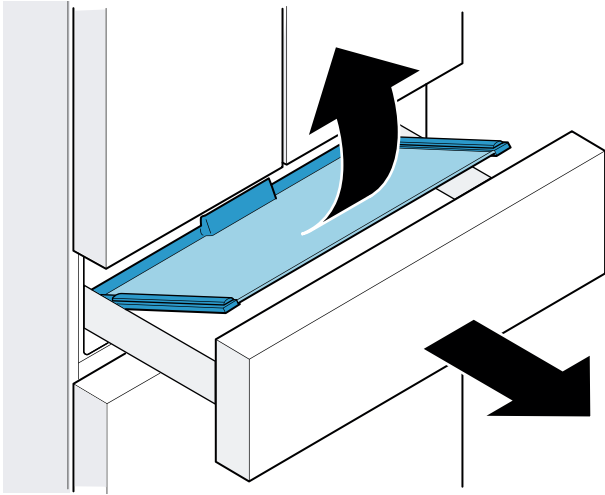
- Place the glass plate on the partition and push right to the front.



### Glass plate drawer

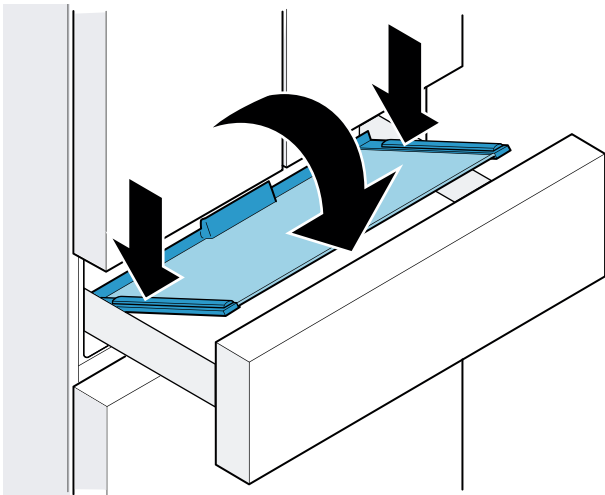
#### Remove the glass plate:

1. Open the drawer as far as it will go and remove the bin.
2. Lift the glass plate at the front and remove.



#### Install the glass plate:

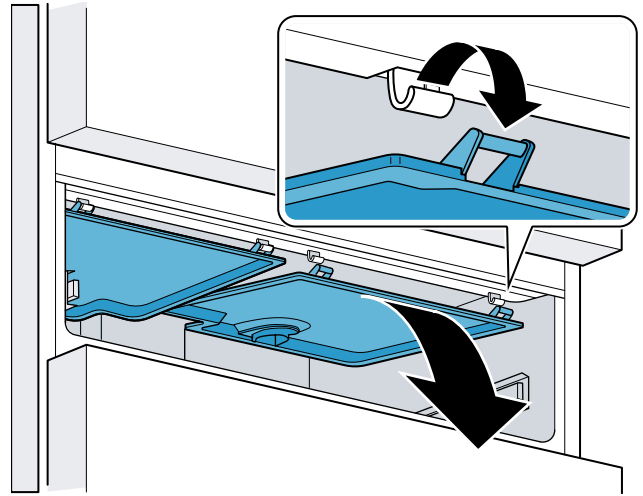
- Place the glass plate on the rail guide at the rear and tilt forwards.



### Cool-fresh bin cover

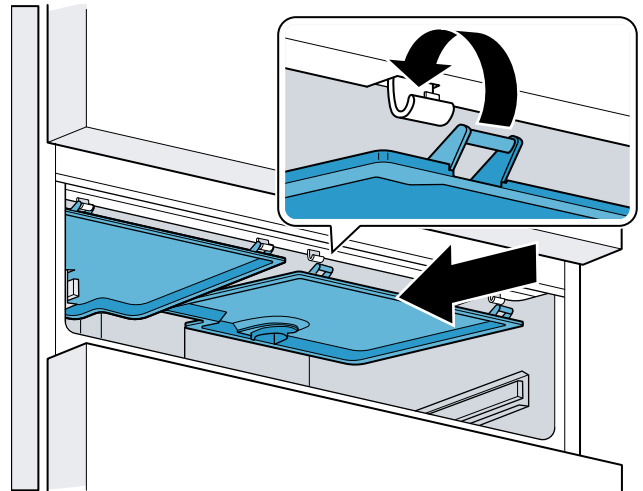
#### Remove the cover:

1. Open the cool-fresh compartment drawer and remove the cool-fresh bin.
2. In the cool-fresh compartment, lift the cover at the front and remove.



#### Install the cover:

1. Slide the cover symmetrically backwards in the cool-fresh compartment at the top and hook into place.
2. Push the cover up and engage.



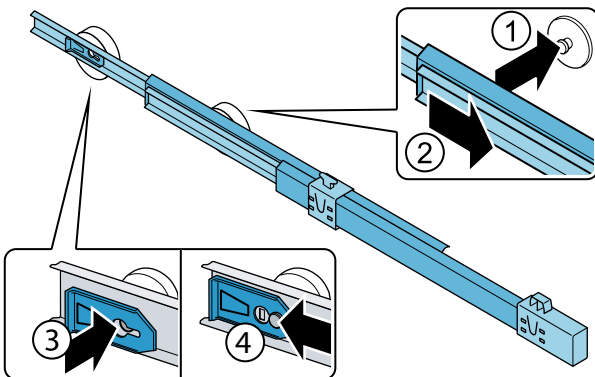
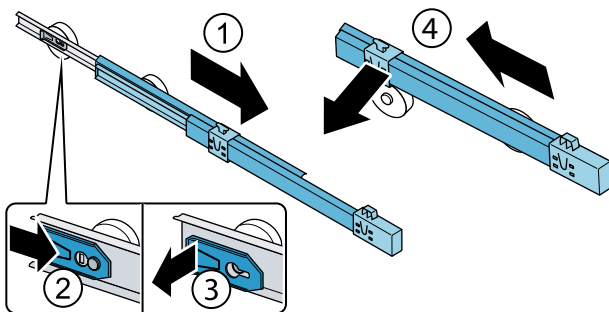
## Telescopic rails

### Removing telescopic rails

1. Pull out telescopic rail.
2. Push lock in the direction of the arrow.
3. Detach telescopic rail from the rear pin.
4. Push telescopic rail together, push backwards above the rear pin, and disengage.

### Installing telescopic rails

1. Place the extended telescopic rail on the front pin.
2. Pull the telescopic rail forwards slightly until it engages.
3. Insert telescopic rail on the rear pin.
4. Push lock backwards.



## Odors

If you notice any unpleasant odors:

1. Switch off the appliance with the on/off ① power button.
2. Take all food out of the appliance.
3. Clean the inside.
4. Clean all packaging.
5. Seal strong-smelling food in order to prevent odors from forming.
6. Switch the appliance on again.
7. Arrange food in the appliance.
8. After 24 hours, check whether odors are building up again.

## Lighting

Your appliance features a maintenance-free LED light.

Only customer service or authorized technicians may repair the light.

## Noises

### Normal noises

**Droning:** A motor is running, e.g. refrigerating unit, ventilator, water valve is venting.

**Bubbling, buzzing or gurgling:** Refrigerant is flowing through the tubes.

**Clicking:** Motor, switch, solenoid valves or water valve are switching on or off.

**Cracking:** Automatic defrosting is running.

### Preventing noises

**Appliance is not level:** Align appliance using a level. Adjust the height of the height-adjustable feet.

**The appliance is not "free-standing":** please move the appliance away from adjacent furniture or appliances.

**Bins, shelves or storage compartments wobble or stick:** Check the removable fittings and re-insert if required.

**Bottles or receptacles are touching each other:** Move bottles or receptacles away from each other.

## Faults – what to do?

Before you call customer service, use this table to check whether you can rectify the fault yourself.

### Appliance

#### Temperature differs greatly from the set value.

Switch off appliance for 5 minutes.  
 → "Switching off and disconnecting the appliance" on page 20  
 If the temperature is too warm, check temperature again after a couple of hours.  
 If the temperature is too cold, check temperature again on the following day.

#### Displays do not light up.

The power plug has not been inserted properly.	Connect the power plug.
The fuse has tripped.	Check the fuses.
The power has failed.	Check whether the power is on.

#### Display indicates E....

The electronics have detected an error.	Please contact customer service.
---	----------------------------------

#### The alarm off button flashes and a warning signal sounds.

	Press <b>alarm off</b> button. Alarm is switched off.
Refrigerator compartment, cool-fresh compartment or freezer compartment is open.	Close the appliance.
Ventilation openings have been covered.	Clear the ventilation openings.
The temperature in the refrigerator compartment, cool-fresh compartment or freezer compartment is too warm.	Press <b>alarm off</b> button. After the <b>alarm off</b> button is pressed, the warmest temperature reached in the freezer compartment is displayed for 5 seconds. The display stops flashing.

#### Appliance is not cooling, display and lighting are lit.

Showroom mode switched on.	Start the appliance self-test. → "Appliance self-test" on page 33 When the program has ended, the appliance switches over to normal operation.
----------------------------	--

## Water dispenser

<b>The water dispenser is not functioning.</b>	
No water supply.	Check water connection and contact technician if necessary.
Low water pressure.	Only connect appliance to lines with sufficient water pressure.
Kink in water hose.	Turn off water supply, straighten out kink. Replace water hose, if necessary.
The water filter is blocked or needs to be replaced.	Replace water filter.

<b>Water is leaking out of the appliance.</b>	
Water connection is not tight.	<p>Check if the connections are fastened firmly and the water hose is undamaged.</p> <p>If the water hose is damaged, contact customer service and have it replaced. Replacement must be performed by customer service or a similarly qualified person only. Use original parts supplied by the manufacturer only.</p>

## Ice maker

<b>The ice maker is not functioning.</b>	
Ice cube production has been switched off.	Switch on ice cube production.
Freezer compartment is too warm.	<p>Set the temperature lower.</p> <p>→ <i>"Operating the appliance" on page 20</i></p>
The water filter is blocked or needs to be replaced.	Replace water filter.
No water supply.	Check water connection and contact technician if necessary.
Ice maker without power.	Please contact customer service.

<b>Ice cube production is low or misshapen.</b>	
After switching on or removing many ice cubes, there will be too few in the ice cube bin.	It takes around 48 hours for an empty ice cube bin to fill up.
Ice cube production stops even though the ice cube bin is not yet full.	Do not store the ice scoop on the ice in the ice cube bin. Otherwise the sensor will not detect the actual fill level of the bin.
Freezer compartment is too warm.	<p>Set the temperature lower.</p> <p>→ <i>"Operating the appliance" on page 20</i></p>
Low water pressure.	Only connect appliance to lines with sufficient water pressure.



## Customer service

Before you call customer service, please check whether you can correct the fault yourself.

If you are unable to rectify the fault, please contact our customer service. We will always find an appropriate solution.

US	1-800-944-2904	Toll-free phone number
CA	1-800-944-2904	

When calling, please state the product number (E-Nr.) and the production number (FD), which can be found on the rating plate.

→ *"Getting to know your appliance" on page 14*

### Appliance self-test

Your appliance features a self-test program which displays the fault your customer service can rectify.





















1. Switch off the appliance and wait 5 minutes.
  2. Switch the appliance on again.
  3. Within the first 2 minutes press and hold **menu** button for 10 seconds until an audible signal sounds.  
The self-test program starts. While the self-test is running, a long audible signal sounds in the meantime.
- If 2 audible signals sound after the end of the self-test and the set temperature is displayed, your appliance is OK.
  - If 5 audible signals sound after the end of the self-test and the settings display shows **Er**, contact customer service.

When the program has ended, the appliance switches to normal operation.

### Warranty statement

Please see the enclosed statement of limited product warranty for detailed information on warranty coverage.

# fr Table des matières

 <b>Consignes de sécurité importantes</b> . . . . .	<b>35</b>	 <b>Alarme</b> . . . . .	<b>55</b>
Définitions . . . . .	35	Alarme de porte . . . . .	55
À propos de cette notice . . . . .	35	Alarme de température . . . . .	55
Introduction . . . . .	35	 <b>Home Connect</b> . . . . .	<b>56</b>
Restrictions au cercle d'utilisateurs . . . . .	35	Configurer Home Connect . . . . .	56
Risque d'explosion . . . . .	35	Installer une mise à jour du logiciel Home Connect . . . . .	58
Risque d'électrocution . . . . .	36	Remarque sur la protection des données . . . . .	58
Risque d'engelures provoquées par le froid . . . . .	36	 <b>Compartment réfrigérateur</b> . . . . .	<b>58</b>
Risque de blessure . . . . .	36	Consignes de rangement . . . . .	58
Risque d'incendie/risques dus au fluide frigorigène . . . . .	36	 <b>Compartment fraîcheur</b> . . . . .	<b>59</b>
Risque d'incendie . . . . .	36	Bac fraîcheur . . . . .	59
Risque d'asphyxie . . . . .	37	Recommandations de stockage . . . . .	59
Dégâts matériels . . . . .	37	 <b>Compartment congélateur</b> . . . . .	<b>59</b>
Poids . . . . .	37	 <b>Distributeur d'eau</b> . . . . .	<b>60</b>
Avertissements de la Proposition 65 de l'État de la Californie . . . . .	37	Avant la première utilisation . . . . .	60
 <b>Utilisation conforme</b> . . . . .	<b>38</b>	Surveiller la qualité de l'eau potable . . . . .	60
 <b>Protection de l'environnement</b> . . . . .	<b>38</b>	Distribuer de l'eau . . . . .	60
Emballage . . . . .	38	 <b>Distributeur de glaçons</b> . . . . .	<b>61</b>
Appareil usagé . . . . .	38	Avant la première utilisation . . . . .	61
 <b>Installation et branchement</b> . . . . .	<b>38</b>	Lancer et arrêter la production de glaçons . . . . .	61
Contenu de livraison . . . . .	38	 <b>Dégivrer l'appareil</b> . . . . .	<b>61</b>
Données techniques . . . . .	38	 <b>Nettoyage</b> . . . . .	<b>62</b>
Installer l'appareil . . . . .	39	Nettoyer le compartiment intérieur de l'appareil . . . . .	62
Économiser de l'énergie . . . . .	45	Nettoyer l'équipement . . . . .	62
Avant la première utilisation . . . . .	46	 <b>Odeurs</b> . . . . .	<b>64</b>
Raccordement de l'eau . . . . .	46	 <b>Éclairage</b> . . . . .	<b>64</b>
Connexion électrique . . . . .	46	 <b>Bruits</b> . . . . .	<b>64</b>
 <b>Présentation de l'appareil</b> . . . . .	<b>47</b>	Bruits normaux . . . . .	64
Appareil . . . . .	47	Prévenir les bruits . . . . .	64
Éléments de commande . . . . .	48	 <b>Que faire en de problème</b> . . . . .	<b>65</b>
Équipement . . . . .	49	Appareil . . . . .	65
 <b>Utiliser l'appareil</b> . . . . .	<b>53</b>	Distributeur d'eau . . . . .	66
Allumer l'appareil . . . . .	53	Distributeur de glaçons . . . . .	66
Arrêter et remiser l'appareil . . . . .	53	 <b>Service à la clientèle</b> . . . . .	<b>67</b>
Régler l'unité de température . . . . .	53	Autodiagnostic de l'appareil . . . . .	67
Régler la température . . . . .	53	Déclaration de garantie . . . . .	67
Régler le compartiment fraîcheur . . . . .	53		
Super-réfrigération . . . . .	53		
Supercongélation . . . . .	54		
Mode économie d'énergie . . . . .	54		
Mode Fraîcheur . . . . .	54		
Mode Vacances . . . . .	54		
Mode Sabbat . . . . .	54		
Régler l'éclairage . . . . .	55		
Alarme de changement de filtre . . . . .	55		

# **Consignes de sécurité importantes**

VEUILLEZ LIRE ET CONSERVER CES CONSIGNES!

## Définitions

### **AVERTISSEMENT**

Cet avertissement indique un risque pouvant avoir des conséquences graves, voire mortelles.

### **ATTENTION**

Cet avertissement indique un risque pouvant avoir des conséquences mineures, voire modérées.

**AVIS :** Cette mise en garde indique un risque de dommage à l'appareil.

**Remarque :** Ce symbole sert à identifier des renseignements importants ou des conseils.

## À propos de cette notice

- Veuillez lire et respecter le contenu de cette notice d'utilisation et de montage. Elle contient des remarques importantes concernant l'installation, l'utilisation et l'entretien de l'appareil.
- Veuillez conserver tous ces documents en vue d'une réutilisation ultérieure ou pour le cas où l'appareil changerait de propriétaire.

## Introduction

- Cet appareil est conforme aux dispositions de sécurité applicables aux appareils électriques.
- Le circuit frigorifique a subi un contrôle d'étanchéité.

## Restrictions au cercle d'utilisateurs

- Cet appareil ne convient pas aux personnes (et enfants) avec un handicap physique sensoriel ou mental ou dont l'expérience et les connaissances sont insuffisantes, sauf sous la supervision d'une personne responsable de sa sécurité ou lui ayant transmis les instructions d'utilisation de l'appareil.
- Les enfants doivent être surveillés afin d'éviter qu'ils ne jouent avec l'appareil.

## Risque d'explosion


- N'utilisez pas d'appareils électriques à l'intérieur de l'appareil (par ex. appareils de chauffage, machine à glaçons).
- Ne stockez dans l'appareil aucun produit contenant des gaz propulseurs combustibles (bombes aérosols par exemple) et aucune substance explosive.
- Ne conservez les bouteilles de boissons fortement alcoolisées qu'hermétiquement fermées et debout.
- Hormis les instructions du fabricant, ne prenez aucune mesure visant à accélérer le dégivrage de l'appareil.

# **Consignes de sécurité importantes**

VEUILLEZ LIRE ET CONSERVER CES CONSIGNES!

## **Risque d'électrocution**

Toute installation ou réparation incorrecte peut engendrer des risques considérables pour l'utilisateur.

- Veillez à ne pas coincer ou endommager le câble d'alimentation en posant l'appareil.
- Dans une optique préventive, débranchez l'appareil dès que le câble d'alimentation est endommagé. Faites remplacer le câble secteur par le fabricant, le service à la clientèle ou une personne présentant une qualification équivalente.
- N'utilisez pas de rallonge, de bloc multiprise ou d'adaptateur.
- Débranchez la fiche de contact ou ramenez le disjoncteur en position éteinte avant d'effectuer l'entretien ou les opérations de montage autorisées sur l'appareil.  
Avant de nettoyer l'appareil, actionnez la touche  power pour l'éteindre. Les clayettes en verre et autres équipements peuvent être déplacés sans danger pendant que l'appareil est en marche.
- Ne retirez ni sectionnez jamais le troisième conducteur (conducteur de mise à la terre) du cordon d'alimentation.
- Ne décongelez et ne nettoyez jamais l'appareil avec un nettoyeur à vapeur. La vapeur risque d'atteindre des pièces électriques et de provoquer un court-circuit.
- Ne confiez la réparation ou le remplacement de l'appareil, du cordon et des accessoires qu'au fabricant ou à un technicien autorisé.
- N'utilisez que des pièces de rechange d'origine venant du fabricant. Le fabricant garantit que ces pièces d'origine remplissent les exigences de sécurité.

## **Risque d'engelures provoquées par le froid**

- Ne portez jamais des produits surgelés à la bouche immédiatement après les avoir sortis du compartiment congélateur.
- Évitez tout contact prolongé de la peau avec le produit congelé, la glace et les tubulures présents dans le compartiment congélateur.

## **Risque de blessure**

Les récipients contenant des boissons gazeuses risquent d'éclater. Ne rangez jamais de boissons gazeuses dans le compartiment congélateur.



## **Risque d'incendie/risques dus au fluide frigorigène**

Dans les tubulures du circuit frigorifique circule une petite quantité de R600a, un fluide frigorigène écologique mais combustible. Le fluide frigorigène risque en fuyant de blesser les yeux ou de s'enflammer.

- Ne pas endommager les tubulures.

Si les tubulures ont été endommagées :

- Eloignez l'appareil de toute flamme nue ou source d'inflammation.
- Aérez la pièce.
- Éteignez l'appareil puis débranchez la fiche de contact de la prise de courant.
- Appelez le service à la clientèle.



## **Risque d'incendie**

Les blocs multiprises ou blocs secteur portables peuvent surchauffer et provoquer un incendie. N'utilisez pas de blocs multiprises ni de blocs secteur portables derrière l'appareil.

# **Consignes de sécurité importantes**

VEUILLEZ LIRE ET CONSERVER CES CONSIGNES!

## Risque d'asphyxie

- Ne confiez jamais l'emballage et ses pièces constitutives aux enfants.
- Afin d'empêcher les enfants de monter dans l'appareil, ne retirez jamais la paroi de séparation du compartiment à produits congelés (large).

## Dégâts matériels

Pour éviter des dégâts matériels :

- Ne vous servez jamais du socle, des glissières ou des portes comme marchepieds et ne vous appuyez jamais dessus.
- Veillez à ce que les pièces en matière plastique et les joints de porte soient exempts d'huile et de graisse.
- Pour débrancher, ne saisissez que la fiche mâle, pas le cordon de branchement.

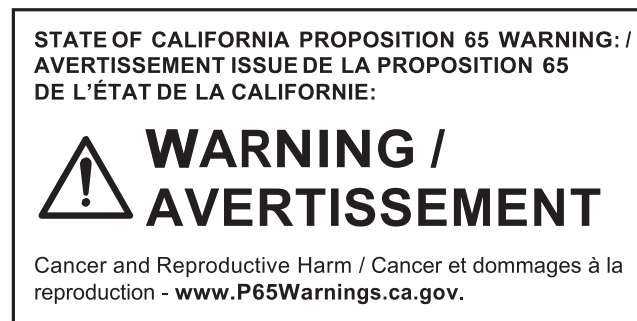
## Poids

L'appareil est très lourd. Il faut être au moins 2 deux personnes pour installer et transporter l'appareil.

→ *"Installation et branchement"*  
à la page 38

## Avertissements de la Proposition 65 de l'État de la Californie

Ce produit pourrait contenir un produit chimique reconnu par l'État de la Californie comme cancérigène ou ayant des effets nocifs sur la reproduction. Par conséquent, l'emballage de votre produit pourrait porter l'étiquette suivante, comme requis par la Californie :



## Utilisation conforme

Utilisez cet appareil

- Uniquement pour refroidir et congeler des produits alimentaires, préparer des glaçons et distribuer de l'eau.
- Uniquement dans un foyer et dans l'environnement domestique.
- Uniquement en conformité avec la présente notice d'utilisation.

Cet appareil est conçu pour une utilisation jusqu'à une altitude maximale de 4000 m (13 123 pi) au-dessus du niveau de la mer.

## Protection de l'environnement

### Emballage

Tous les matériaux sont non polluants et recyclables :

- Éliminez l'emballage dans le respect de l'environnement.
- Veuillez vous informer sur les modes d'élimination des déchets auprès de votre revendeur ou de l'administration publique.

### Appareil usagé

L'élimination dans le respect de l'environnement permet de récupérer de précieuses matières premières.

### AVERTISSEMENT

LES ENFANTS RISQUE DE S'ENFERMER DANS L'APPAREIL ET DE S'ASPHYXIER. !

Avant d'envoyer l'appareil au recyclage :

- Démonter la porte.
- Pour dissuader les enfants de grimper dans l'appareil, ne retirez pas les clayettes et les bacs !
- Éloignez les enfants de l'appareil qui a cessé de servir.

### ATTENTION

LE FLUIDE FRIGORIGÈNE ET DES GAZ NOCIFS PEUVENT SE DÉGAGER.

Veillez à ne pas endommager les tubulures du circuit frigorifique, ni l'isolant.

1. Débranchez la fiche de contact de la prise de courant.
2. Coupez le câble de raccordement secteur.
3. Acheminez l'appareil au service d'élimination approprié.

## Installation et branchement

### Contenu de livraison

Après avoir déballé le produit, inspectez toutes les pièces pour détecter d'éventuels dégâts dus au transport.

Si des dommages sont constatés, veuillez vous adresser à votre revendeur ou auprès de notre service à la clientèle.

La livraison comprend les pièces suivantes :

- Appareil indépendant
- Matériel de montage
- Équipement (selon le modèle)
- Notice de montage et d'utilisation
- Déclaration sur la garantie de produit limitée
- Informations relatives à la consommation d'énergie et aux bruits

### Données techniques

La plaque signalétique mentionne le fluide frigorigène, le volume utile ainsi que d'autres renseignements.

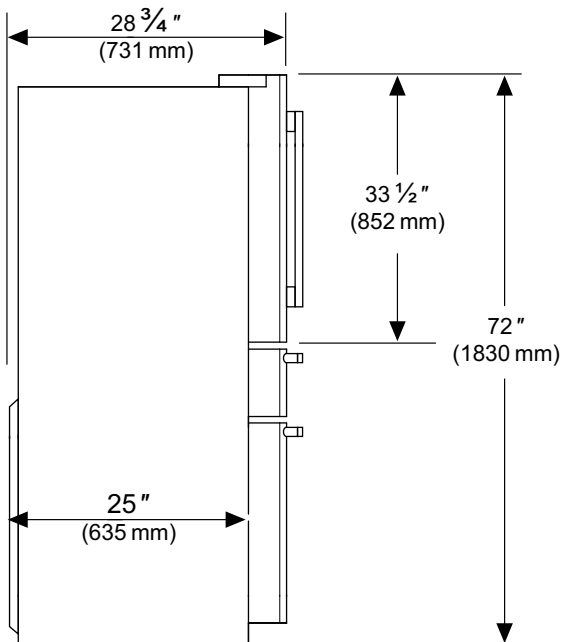
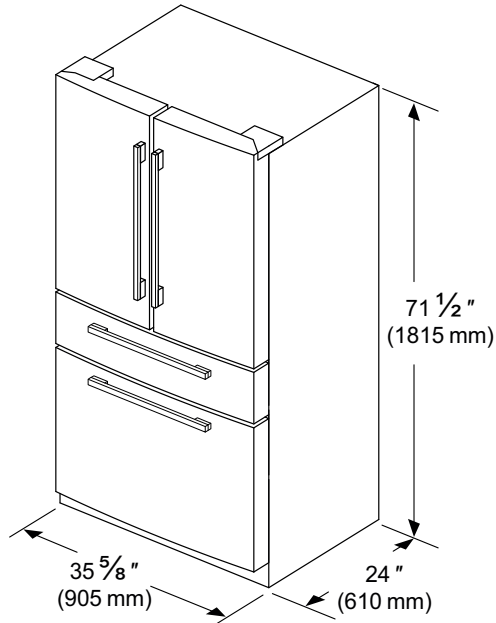
→ "Présentation de l'appareil" à la page 47

## Installer l'appareil

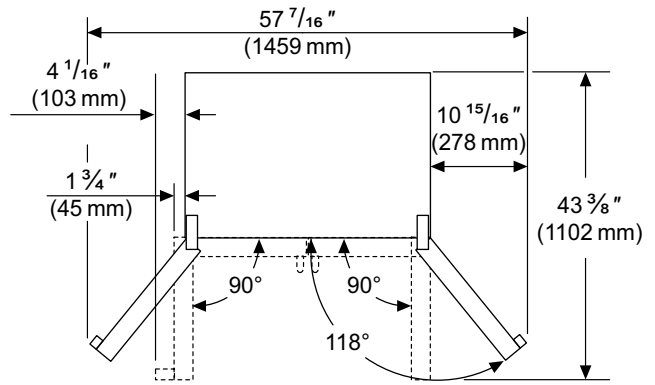
### Lieu d'installation

Selon le modèle, le poids de l'appareil peut atteindre 419 lb (190 kg). Le plancher doit être suffisamment stable ; Il ne doit pas s'affaisser. Renforcez le plancher au besoin.

### Cotes d'installation



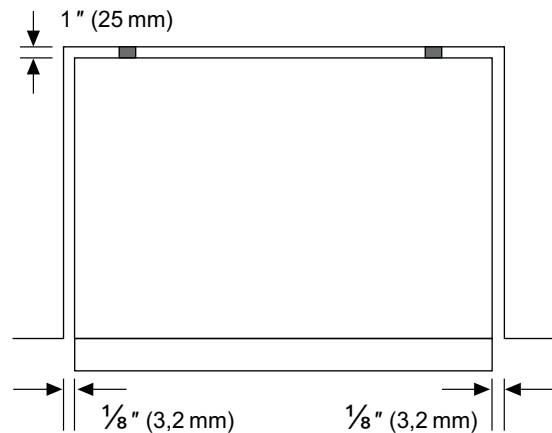
### Angle d'ouverture de porte



### Interstices minimum :

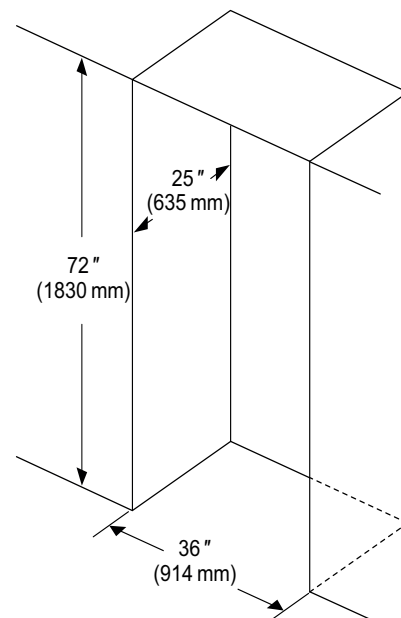
Prévoyez un écart de 1/2 po (12,7 mm) au-dessus de l'appareil.

Respectez les distances minimales suivantes :



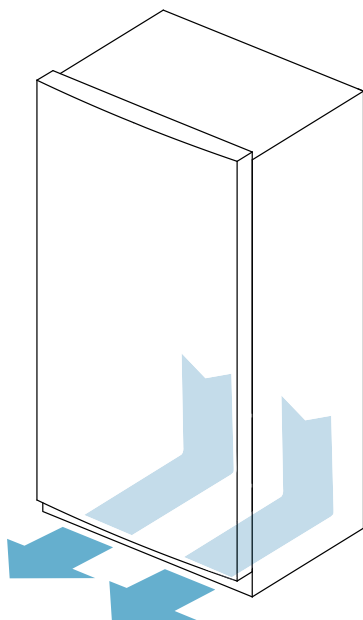
### Dimensions de niche

Si vous installez l'appareil dans une niche, observez les dimensions suivantes :



### Aération

Ne recouvrez et n'obstruez en aucun cas les orifices de ventilation et d'aération.

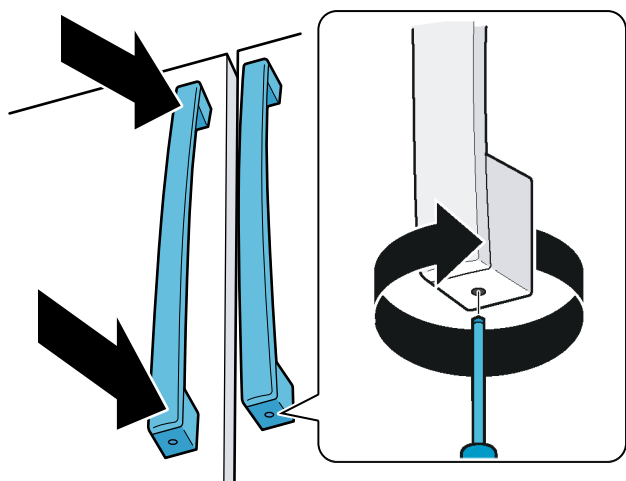


### Monter la poignée de porte

1. En tenant la poignée verticalement, posez-la sur le boulon prémonté.

**Remarque :** Les trous de la poignée doivent pointer vers le haut et vers le bas.

2. Avec une clé Allen, vissez de 2,5 mm les vis sans tête prémontées au-dessus et au-dessous de la poignée.

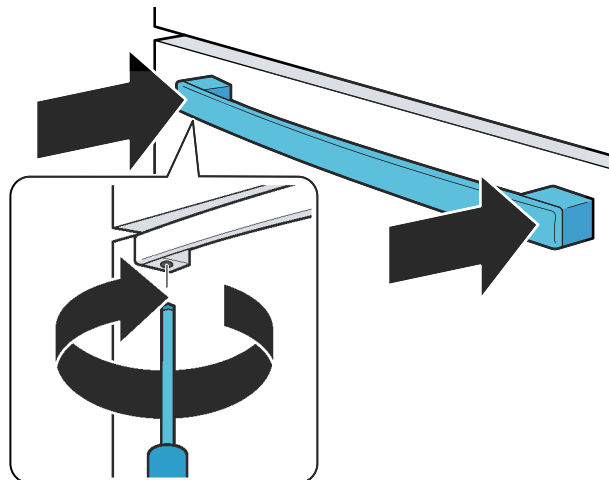


### Monter la poignée de tiroir

1. En tenant la poignée horizontalement, posez-la sur le boulon prémonté.

**Remarque :** Les trous de la poignée doivent pointer vers le bas.

2. Avec une clé Allen, vissez de 2,5 mm les vis sans tête prémontées au-dessous de la poignée.



### Ajuster l'appareil

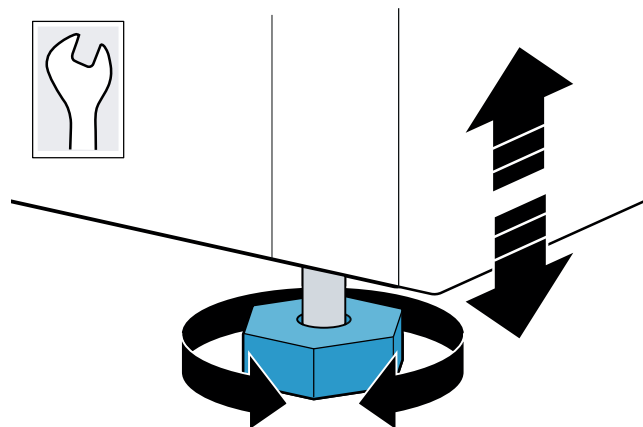
#### ⚠ ATTENTION

- Afin de prévenir les dommages au plancher, relevez toujours les pattes à visser avant de déplacer l'appareil.
- Les deux pattes à visser avant doivent toujours toucher le plancher afin d'empêcher l'appareil de basculer ou de rouler à l'ouverture de la porte.

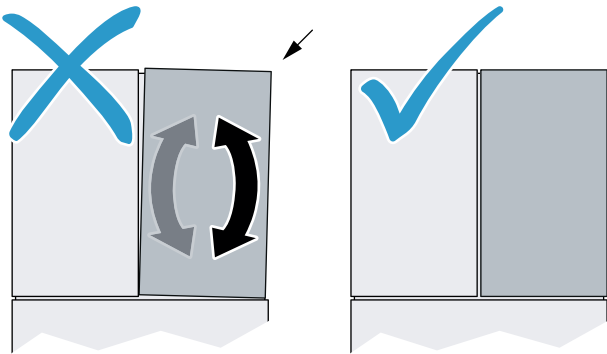
L'appareil est pourvu de roulettes afin d'en faciliter le déplacement et l'ajustement :

1. Placez l'appareil verticalement sur un plancher stable et plan.
2. Avec une clé à molette, vissez les pieds réglages vers le bas afin que ces derniers touchent au plancher.
3. Si le plancher présente des inégalités, compensez-les à l'aide des deux pieds à vis situés à l'avant de l'appareil.

**Remarque :** Pour l'alignement, utilisez un niveau à bulle.

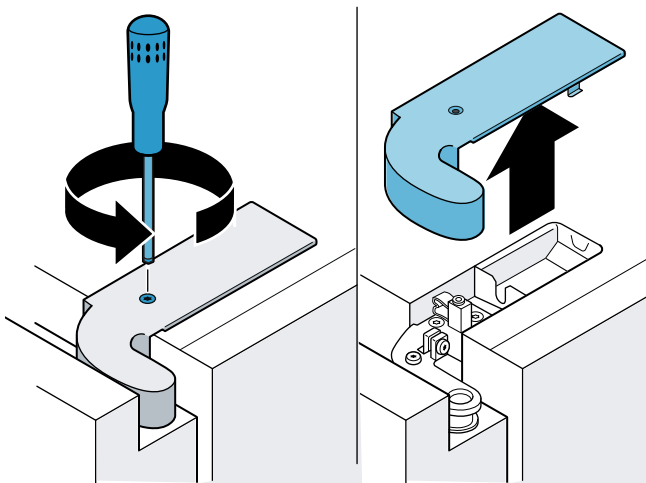




**Aligner les portes du compartiment réfrigérateur****Ajuster le jeu vertical des portes du compartiment réfrigérateur :**

**Remarque :** Videz le contenu de la porte, le cas échéant.

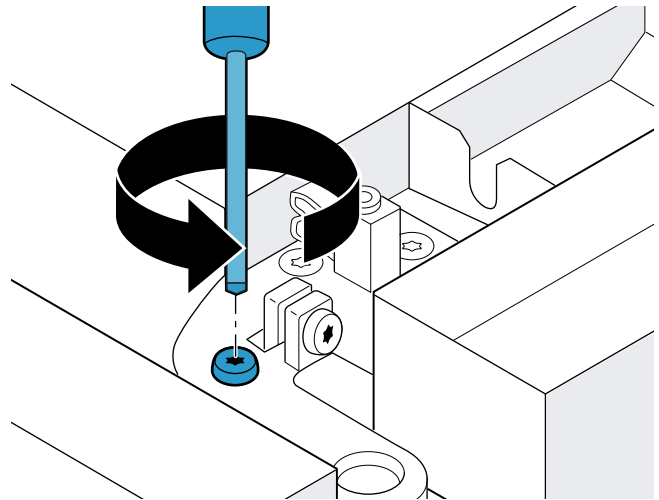
1. Retirez la vis T20 et le capuchon de protection de la charnière de porte.



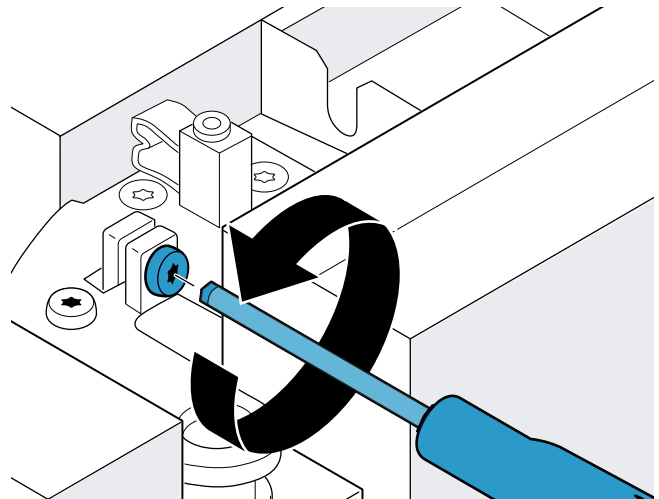
2. Desserrez la vis de sécurité.

**ATTENTION**

Ne retirez pas la vis de sécurité.

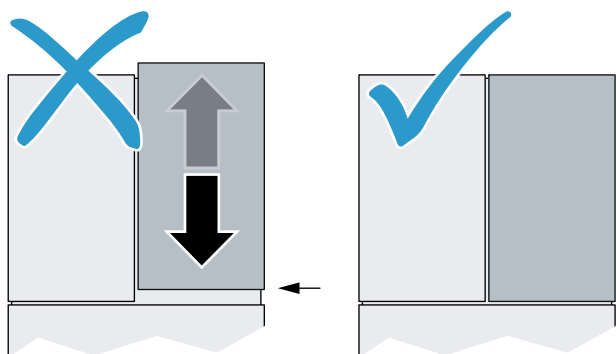


3. Tournez la vis de réglage, la porte fermée, jusqu'à la position souhaitée soit atteinte.
  - Pour déplacer l'extrémité de porte supérieure vers l'extérieur de l'appareil, tournez la vis dans le sens des aiguilles d'une montre.
  - Pour déplacer l'extrémité de porte supérieure vers l'intérieur de l'appareil, tournez la vis dans le sens inverse des aiguilles d'une montre.



4. Fermez la porte pour contrôler la position et la corriger si nécessaire.
5. Resserrez la vis de sécurité.
6. Montez le capuchon de protection et resserrez la vis T20.

### Ajuster le jeu horizontal des portes :

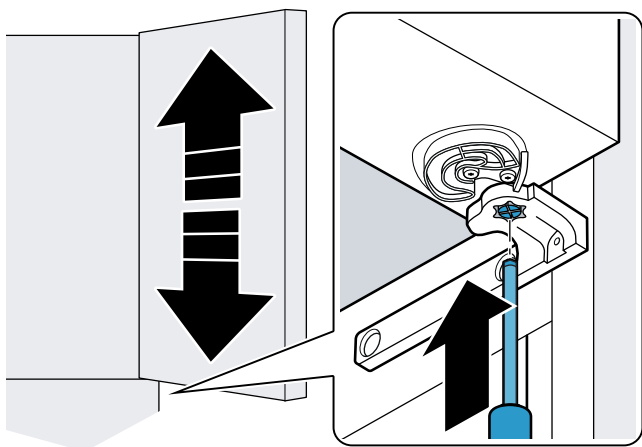


#### **ATTENTION**

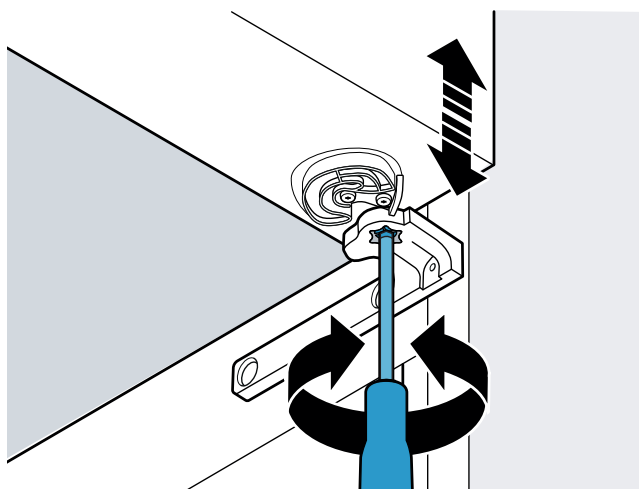
Afin de prévenir les dommages à l'appareil, abaissez la porte de droite si la portion supérieure du longeron de porte entre en contact avec l'enceinte de l'appareil.

**Remarque :** Videz le contenu de la porte, le cas échéant.

1. Ouvrez la porte et le tiroir.
2. Soulevez la porte et passez un tournevis par le bas dans la charnière de la porte.



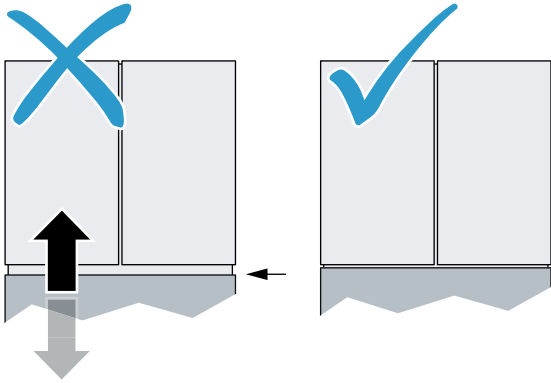
3. Poussez la pièce de réglage vers le haut et tournez-la de 60 ° jusqu'à ce que la position souhaitée soit atteinte.
  - La hauteur de porte peut être réglée sur 2 niveaux, décalés de 1/16 " (1,5 mm). Le niveau le plus haut est suivi par le niveau le plus bas. La pièce de réglage s'enclenche dès qu'une position est atteinte.
  - Pour déplacer la porte vers le haut, tournez-la dans le sens des aiguilles d'une montre.
  - Pour déplacer la porte vers le bas, tournez-la dans le sens inverse des aiguilles d'une montre.



4. Fermez la porte et le tiroir pour contrôler la position et la corriger si nécessaire.

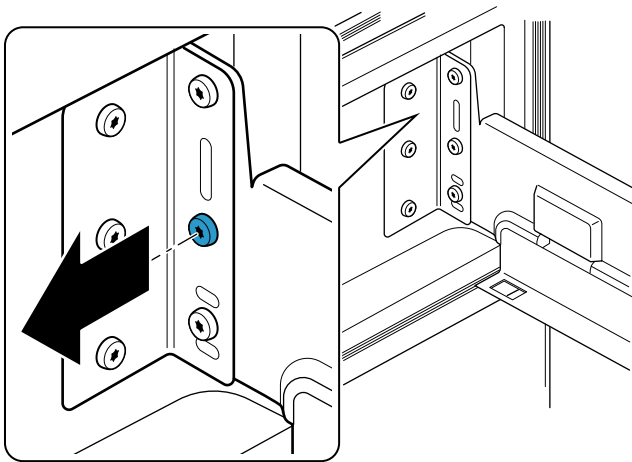
## Ajuster les tiroirs

**Vous pouvez ajuster le tiroir verticalement :**



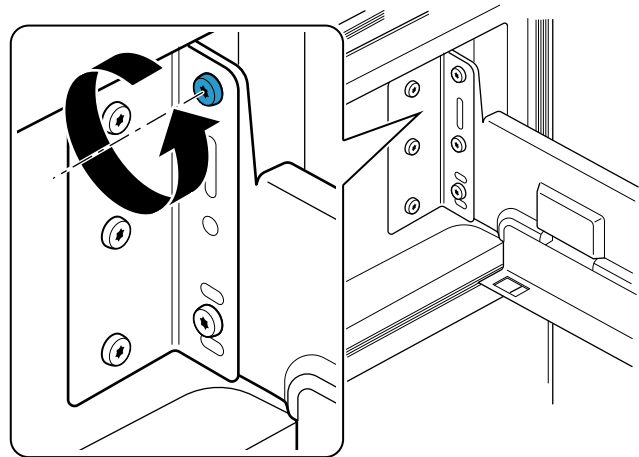
1. Ouvrez le tiroir jusqu'en butée et sortez le bac.
2. Retirez la vis intermédiaire des deux côtés.

**Remarque :** Conservez les vis si vous souhaitez réinitialiser les réglages d'usine du tiroir.



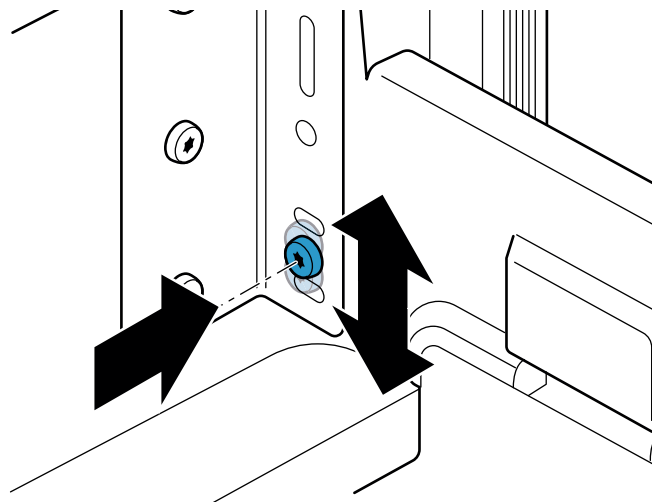
3. Desserrez la vis supérieure des deux côtés.

**Remarque :** Ne retirez pas les vis.



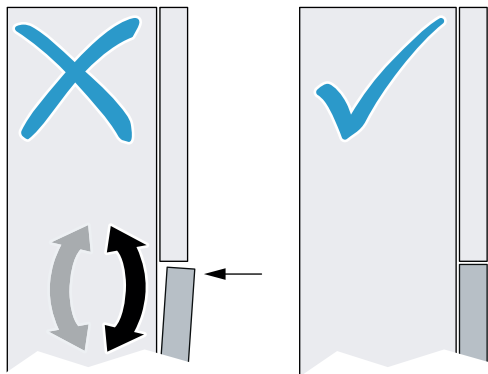
4. Soulevez le tiroir et retirez la vis inférieure des deux côtés.
5. Déplacez le tiroir verticalement dans la position souhaitée et vissez la vis inférieure dans l'un des deux trous prescrits.

**Remarque :** Le tiroir peut être déplacé de 1/16 " (2 mm) vers le haut et vers le bas.



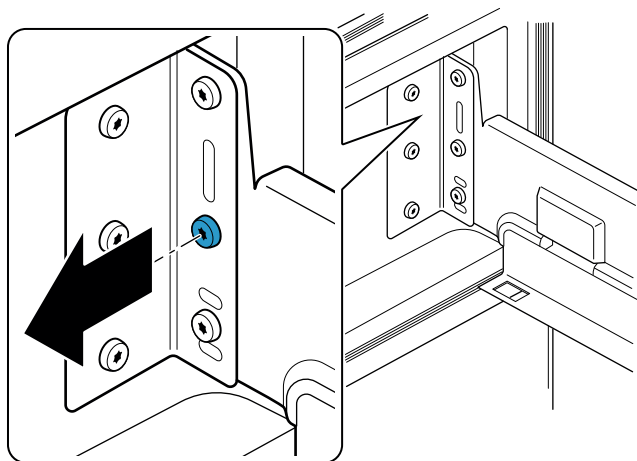
6. Reserrez toutes les vis.
7. Pour contrôler la position, fermez le tiroir et corrigez, si nécessaire.

**Vous pouvez ajuster l'inclinaison du tiroir verticalement :**



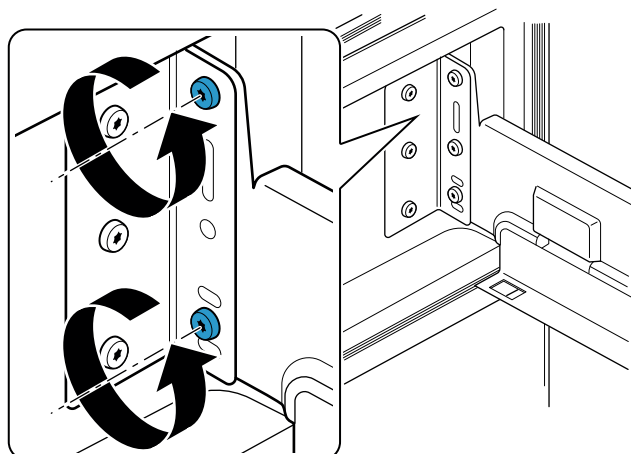
1. Ouvrez le tiroir jusqu'en butée et sortez le bac.
2. Retirez la vis intermédiaire des deux côtés.

**Remarque :** Conservez les vis si vous souhaitez réinitialiser les réglages d'usine du tiroir.

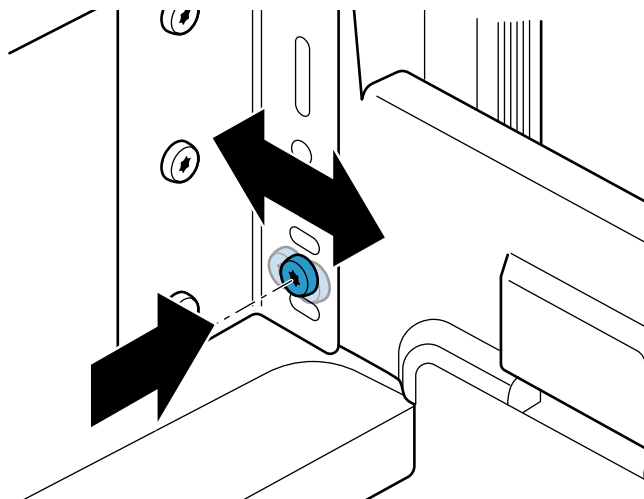


3. Desserrez les vis supérieures et inférieures des deux côtés.

**Remarque :** Ne retirez pas les vis.



4. Déplacez le tiroir latéralement dans la position souhaitée et vissez la vis.



5. Reserrez toutes les vis.
6. Pour contrôler la position, fermez le tiroir et corrigez, si nécessaire.

## Économiser de l'énergie

Si vous respectez les instructions suivantes, votre appareil consommera moins de courant.

**Remarque :** L'agencement des pièces d'équipement n'a aucune influence sur la consommation d'énergie de l'appareil.

Installer l'appareil	
Mettez l'appareil à l'abri des rayons du soleil.	En présence de températures ambiantes basses, l'appareil doit réfrigérer moins souvent et il consomme donc moins de courant.
Installer l'appareil à la plus grande distance possible d'un radiateur, d'une cuisinière et d'autres sources de chaleur : Minimum 1 ¼" (3 cm) d'une cuisinière électrique ou à gaz. Minimum 1 1¾" (30 cm) d'un appareil de chauffage à l'huile ou au charbon.	
Choisissez un lieu d'installation où règne une température ambiante d'environ 68 °F (20 °C).	
Ne recouvrez et ne bouchez pas les orifices d'aération.	L'appareil consomme moins de courant si l'air chaud peut s'échapper.
Aérez quotidiennement la pièce.	
Utilisation de l'appareil	
N'ouvrez la porte de l'appareil que brièvement.	L'air dans l'appareil ne se réchauffe pas aussi fortement. L'appareil doit réfrigérer plus rarement et consomme de la sorte moins d'électricité.
Transportez les produits alimentaires achetés dans un sac isotherme et rangez-les rapidement dans l'appareil.	
Attendez que les plats chauds aient refroidi avant de les ranger dans l'appareil.	
Pour dégeler les produits congelés, rangez-les dans le compartiment réfrigérateur pour profiter du froid des produits congelés.	L'air peut circuler de cette manière et l'humidité de l'air demeure constante. L'appareil doit réfrigérer plus rarement et consomme de la sorte moins d'électricité.
Laissez toujours un peu de place entre les produits alimentaires et la paroi arrière.	
Emballez hermétiquement les produits alimentaires.	L'appareil consomme moins de courant si l'air chaud peut s'échapper.
Ne recouvrez et ne bouchez pas les orifices d'aération.	
Une fois ou plus par an, passez l'aspirateur au dos de l'appareil.	

## Avant la première utilisation

1. Retirez la documentation informative, les rubans adhésifs et la feuille protectrice.
2. Retirez le câble secteur de l'appareil.
3. Nettoyez l'appareil.
4. Montez l'équipement.  
→ "Équipement" à la page 49

## Raccordement de l'eau

### ATTENTION

- Veillez à ne jamais plier, écraser, modifier ou transpercer les tuyaux d'eau.
- Ne tirez jamais sur le tuyau d'eau ou sur la paroi arrière de l'appareil.
- Afin d'éviter d'endommager l'appareil ou d'en perturber le fonctionnement, il est impératif de le brancher uniquement à une prise d'eau potable.
- Installez une soupape d'arrêt afin de prévenir les dégâts d'eau.

### Remarques

- L'installation et le raccordement de l'appareil doivent être réalisés par un spécialiste.
- Observez les directives locales sur l'alimentation en eau.

## Pression hydraulique de la conduite d'eau potable

### ATTENTION

Si la pression hydraulique excède la valeur maximale, faites installer un limiteur de pression entre la conduite d'eau potable et le kit de tuyaux afin d'éviter d'endommager l'appareil.

**Remarque :** Une pression hydraulique trop basse perturbe certaines fonctions de base de l'appareil.

- Pression d'eau minimale : 0,2 Mpa (2 bars / 29 psi)
- Pression d'eau maximale : 0,8 Mpa (8 bars / 116 psi)

## Connexion électrique

### ATTENTION

Ne raccordez pas l'appareil à une fiche électronique d'économie d'énergie.

**Remarque :** Vous pouvez raccorder l'appareil à des onduleurs pilotés par le réseau et pilotés en onde sinusoïdale.

Les onduleurs pilotés par le réseau s'utilisent sur les installations photovoltaïques directement raccordées au réseau public d'électricité. Dans les solutions en îlot, vous devrez utiliser des onduleurs pilotés en onde sinusoïdale. Les solutions en îlot, par exemple sur les bateaux ou les refuges de montage, n'ont pas de raccordement direct au réseau public d'électricité.

1. Branchez le connecteur du câble secteur sur l'appareil.
2. Assurez-vous que la prise de courant est correctement installée et qu'elle est conforme aux exigences.

### Critères pour la prise murale

Prise murale avec fil de terre :	110 V ... 127 V avec 60 Hz
Fusible :	10 A ... 16 A

### Charge maximale simultanée

Appareil :	6 A
------------	-----

3. Raccordez l'appareil à une prise à proximité. Cette prise doit rester accessible même une fois l'appareil installé.

### AVERTISSEMENT

RISQUE D'ÉLECTROCUTION !

N'utilisez pas de rallonge, de bloc multiprise ou d'adaptateur.

L'appareil doit être correctement mis à la terre.

Ne retirez ni sectionnez jamais le troisième conducteur (conducteur de mise à la terre) du cordon d'alimentation.

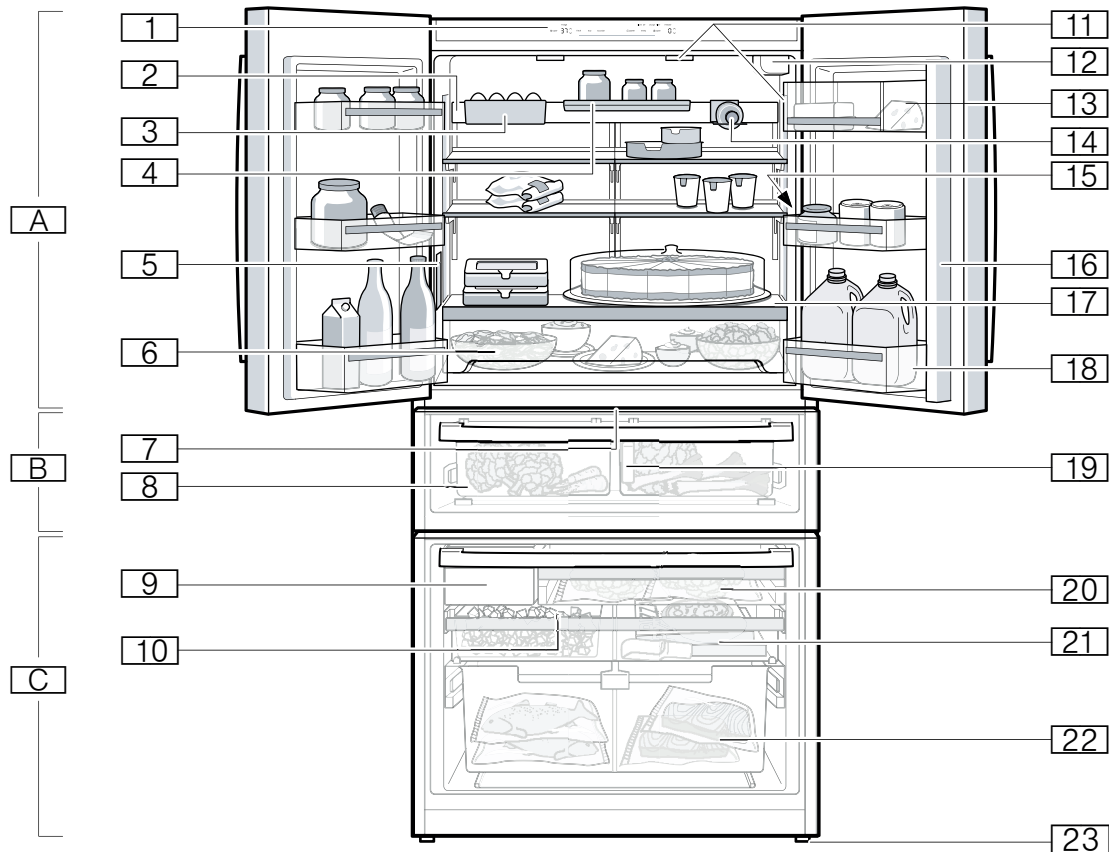
### AVERTISSEMENT

RISQUE D'ÉLECTROCUTION !

Si la longueur du cordon d'alimentation est insuffisante, abstenez-vous à tout prix d'utiliser une rallonge ou un bloc multiprise. Contactez plutôt le service à la clientèle pour des solutions de rechange.

# Présentation de l'appareil

## Appareil



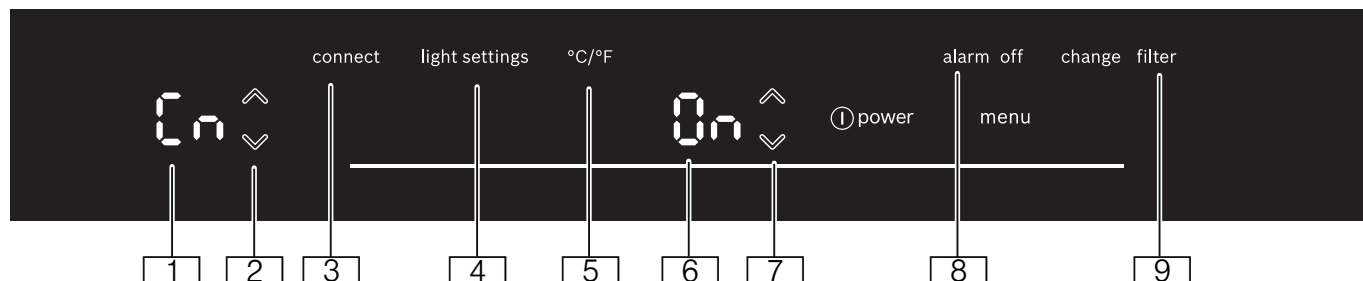
<b>A</b>	Compartiment réfrigérateur	<b>11</b>	Éclairage intérieur
<b>B</b>	Compartiment fraîcheur	<b>12</b>	Filtre à eau
<b>C</b>	Compartiment congélateur	<b>13</b>	Compartiment à beurre et à fromage
<b>1</b>	Éléments de commande	<b>14</b>	Clayette à bouteilles (suspendue)
<b>2</b>	Rail d'équipement	<b>15</b>	Plaque signalétique
<b>3</b>	Bac (suspendu)	<b>16</b>	Montant de porte avec protection anti-condensation
<b>4</b>	Clayette (suspendue)	<b>17</b>	Clayette fixée
<b>5</b>	Distributeur d'eau	<b>18</b>	Clayette pour grandes bouteilles
<b>6</b>	Bac amovible	<b>19</b>	Absorbeur d'éthylène
<b>7</b>	Éléments de commande du compartiment fraîcheur	<b>20</b>	Bac à produits congelés (petit)
<b>8</b>	Bac fraîcheur	<b>21</b>	Tiroir à produits congelés (plat)
<b>9</b>	Distributeur de glaçons	<b>22</b>	Bac à produits congelés (grand)
<b>10</b>	Bac à glaçons avec palette à glace	<b>23</b>	Pied à vis

## Éléments de commande



- |  |  |
|--|--|
| <p>1 Touche * <b>super</b> compartiment réfrigérateur<br/>Allume ou éteint la super-réfrigération.</p> <p>2 Affichage de la température du compartiment réfrigération<br/>Affiche la température réglée en °C/°F.</p> <p>3 Touche ^/∨ compartiment réfrigérateur<br/>Règle la température du compartiment réfrigérateur.</p> <p>4 Touche <b>fresh</b><br/>Allume ou éteint le mode Fraîcheur.</p> <p>5 Touche <b>eco</b><br/>Allume ou éteint le mode Économie d'énergie.</p> <p>6 Touche <b>vacation</b><br/>Allume ou éteint le mode Vacances.</p> | <p>7 Touche ① <b>power</b><br/>Allume ou éteint l'appareil.</p> <p>8 Touche <b>alarm off</b><br/>Éteint l'alarme.</p> <p>9 Touche <b>menu</b><br/>Ouvre le menu.</p> <p>10 Touche <b>change filter</b><br/>Désactive l'alarme de changement de filtre.</p> <p>11 Touche * <b>super</b> compartiment congélateur<br/>Allume ou éteint la supercongélation.</p> <p>12 Affichage de la température dans le compartiment congélateur<br/>Affiche la température réglée en °C/°F.</p> <p>13 Touche ^/∨ compartiment congélateur<br/>Règle la température du compartiment congélateur.</p> |
|--|--|

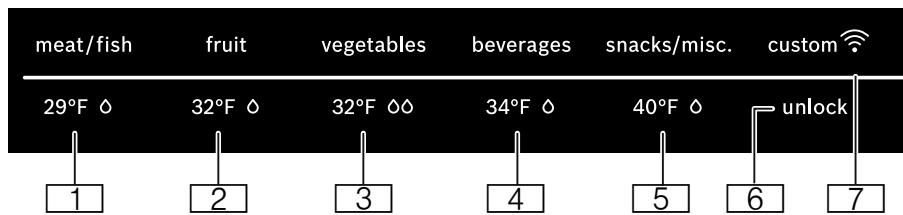
## Éléments de commande Sous-menu



- |   |   |
|---|---|
| <p>1 L'affichage Sous-menu<br/>Indique le sous-menu sélectionné.</p> <p>2 Touche ^/∨ Sous-menu<br/>Sert à naviguer dans le sous-menu.</p> <p>3 Touche <b>connect</b><br/>Ouvre le menu Home Connect.</p> <p>4 Touche <b>light settings</b><br/>Ouvre le menu Éclairage.</p> <p>5 Touche <b>°C/°F</b><br/>Ouvre le menu Unité de température.</p> <p>6 Affichage Paramètres<br/>Indique les réglages du sous-menu.</p> | <p>7 Touche ^/∨ Paramètres<br/>Modifie les réglages du sous-menu.</p> <p>8 Touche <b>alarm off</b><br/>Ouvre le menu Alarme.</p> <p>9 Touche <b>change filter</b><br/>Ouvre le menu Filtre.</p> |
|---|---|



## Éléments de commande du compartiment fraîcheur



- 1 Touche **29°F** Δ  
Règle la température du bac fraîcheur à -2 °C (29 °F); faible humidité.
- 2 Touche **32°F** Δ  
Règle la température du bac fraîcheur à 0 °C (32 °F); faible humidité.
- 3 Touche **32°F** ΔΔ  
Règle la température du bac fraîcheur à 0 °C (32 °F); humidité élevée.
- 4 Touche **34°F** Δ  
Règle la température du bac fraîcheur à 1 °C (34 °F); faible humidité.

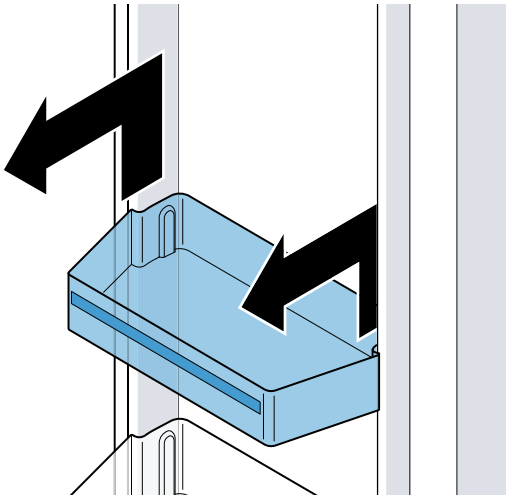
- 5 Touche **40°F** Δ  
Règle la température du bac fraîcheur à 4 °C (40 °F); faible humidité.
- 6 Touche **unlock** Compartiment fraîcheur  
Déverrouille les éléments de commande du compartiment fraîcheur.
- 7 Réglette lumineuse **custom** Wi-Fi  
S'allume lorsque l'utilisateur configure des paramètres à l'aide de l'application Home Connect. Vous trouverez de plus amples renseignements à ce sujet dans l'application Home Connect.

## Équipement

### Support

Vous pouvez retirer la clayette :

- Soulevez la clayette et retirez-la.



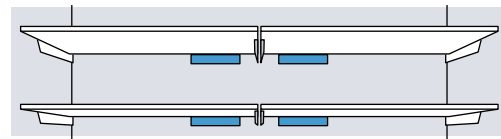
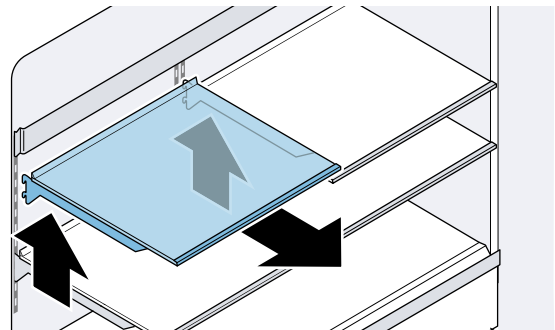
### Clayette

Vous pouvez retirer la clayette et en modifier la position :

- Soulevez la clayette et retirez-la.

### Remarques

- Ne bouchez pas les orifices de ventilation.
- Posez prudemment la clayette afin d'éviter d'égratigner l'appareil.
- Assurez-vous que les crochets sont pleinement engagés et que la clayette repose à l'horizontale.

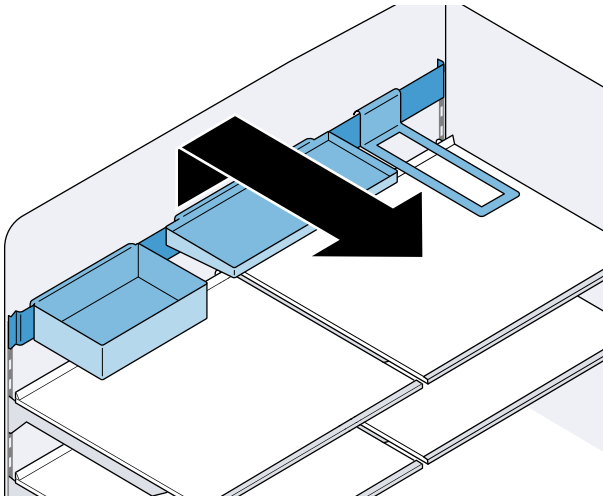


### Rail d'équipement

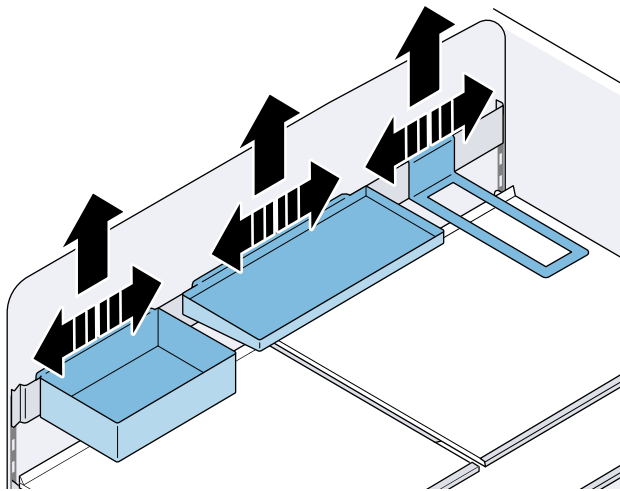
Vous pouvez retirer le rail d'équipement et en modifier la position :

1. Soulevez le rail d'équipement et retirez-le.
2. Pour le remettre en place, positionnez les crochets à l'arrière du rail d'équipement à la même hauteur afin qu'il soit bien droit.

**Remarque :** Posez prudemment le rail d'équipement afin d'éviter d'égratigner l'appareil.



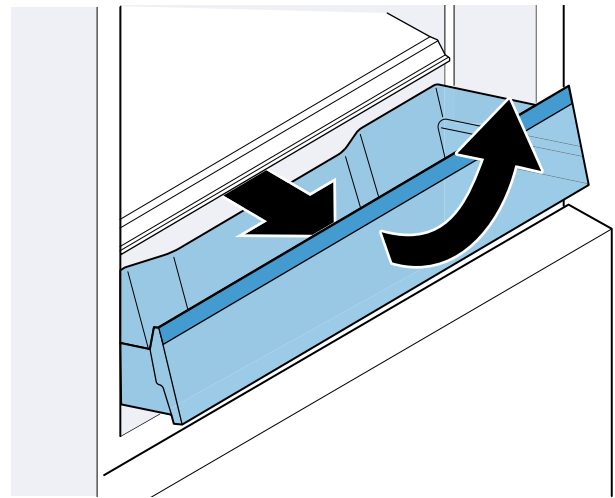
**Remarque :** Vous pouvez retirer ou déplacer latéralement le bac (suspendu), la clayette (suspendue) et la clayette à bouteilles (suspendue).



### Bac amovible

Vous pouvez retirer le bac :

- Tirez le bac vers vous jusqu'à la butée, soulevez-le par l'avant puis retirez-le.



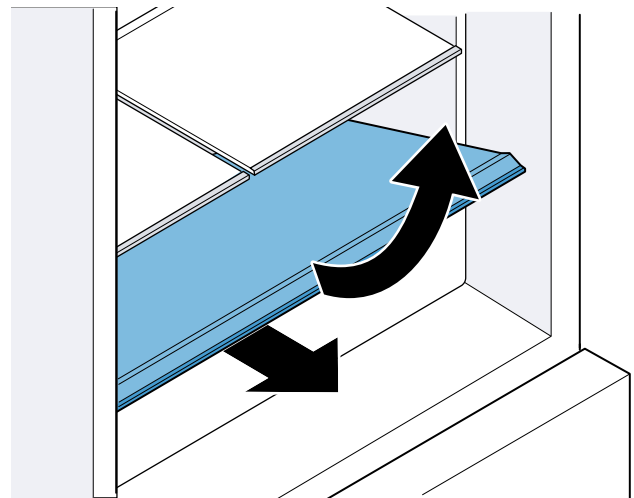
Vous pouvez insérer le bac :

- Sortez complètement les rails de sortie
- Posez le bac sur les rails de sortie et poussez-le dans l'appareil jusqu'à ce qu'il s'enclenche.

### Clayette fixée

Vous pouvez sortir la clayette :

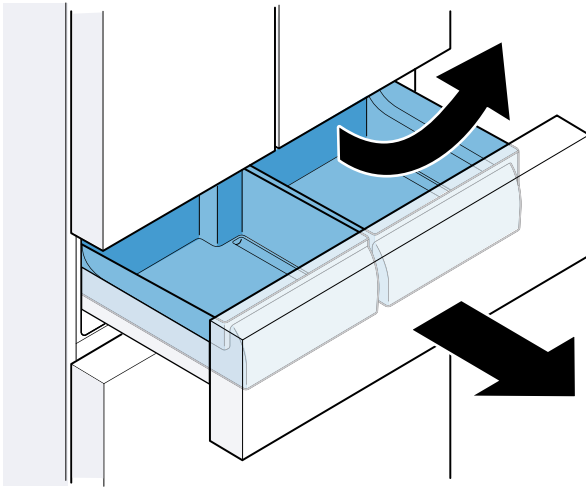
- Ouvrez le bac, soulevez la clayette à l'avant et sortez-la.



**Bac fraîcheur**

Vous pouvez retirer le bac :

1. Tirez le tiroir jusqu'en butée.
2. Soulevez le bac à l'avant et sortez-le.

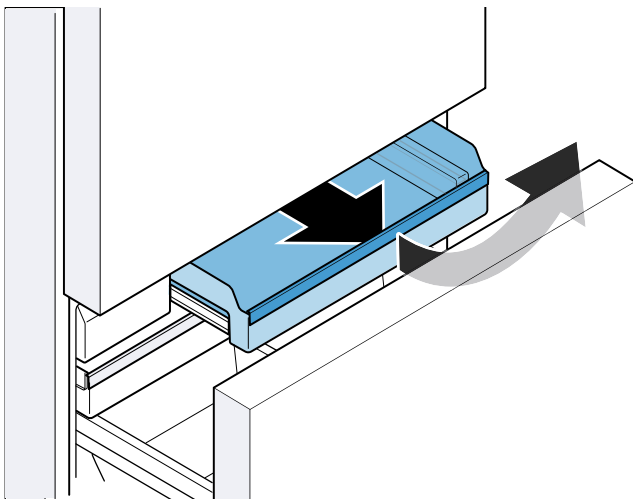


**Remarque :** Lors de l'insertion, le rail de guidage du contenant doit concorder avec celui du tiroir.

**Bac à produits congelés (petit)**

Vous pouvez retirer le bac :

- Tirez le bac vers vous jusqu'à la butée, soulevez-le par l'avant puis retirez-le.



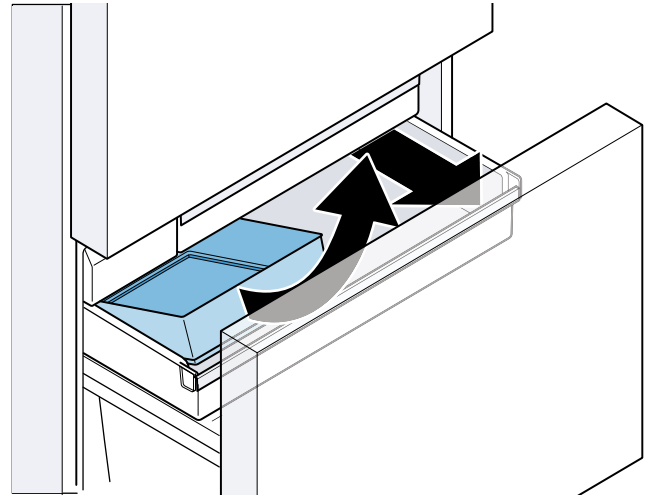
Vous pouvez insérer le bac :

- Sortez complètement les rails de sortie.
- Posez le bac sur les rails de sortie et poussez-le dans l'appareil jusqu'à ce qu'il s'enclenche.

**Bac à glaçons**

Vous pouvez retirer le bac à glaçons :

- Tirez le bac à produit congelés (plat) à vous jusqu'à la butée et retirez le réservoir à glaçons.

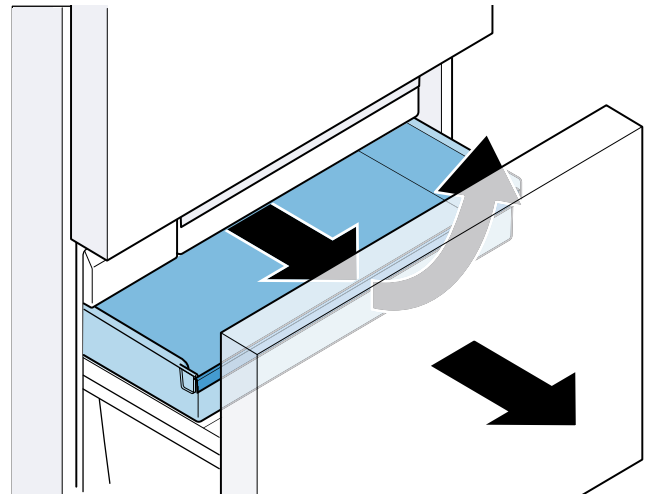
**Remarques**

- Utilisez la palette à glace pour retirer des glaçons du réservoir à glaçons.
- Évitez de ranger la palette à glace sur les glaçons dans le réservoir afin que la production ne s'arrête pas trop tôt.

**Tiroir à produits congelés (plat)**

Vous pouvez retirer le bac à produits congelés (plat) :

1. Tirez le tiroir du compartiment congélateur jusqu'en butée.
2. Tirez le bac à produit congelés (plat) à vous jusqu'à la butée, soulevez-le à l'avant puis sortez-le.



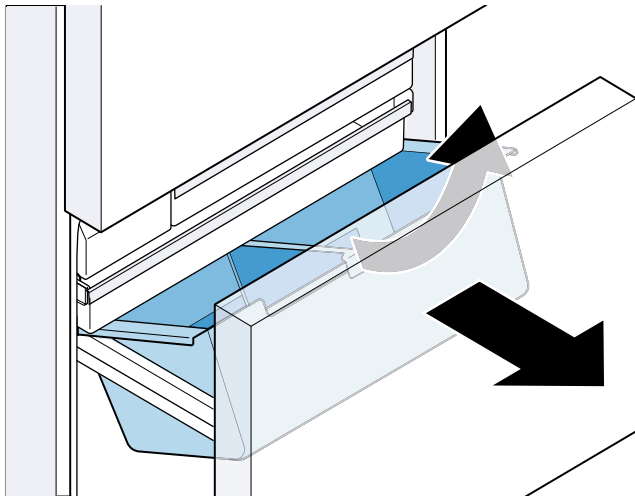
## Bac à produits congelés (grand)

### ⚠ ATTENTION

Afin de prévenir les dommages à l'équipement, ne retirez jamais la plaque séparatrice du compartiment à produits congelés (grand).

Vous pouvez retirer le bac à produits congelés (grand) :

1. Tirez le tiroir du compartiment congélateur jusqu'en butée, puis retirez le bac à produits congelés (plat).
2. Soulevez le bac à produits congelés (grand) et sortez-le.



### Filtre à eau

**Remarque :** Pour des raisons d'hygiène, jetez tous les glaçons produits durant les 24 premières heures après l'installation d'un nouveau filtre à eau, ou prélevez puis jetez l'eau pendant 5 minutes.

Le filtre à eau fourni ne filtre que les particules dans l'eau et le goût de chlore et non pas les bactéries ou microbes :

- Remplacez le filtre à eau tous les 6 mois ou dès que nécessaire.

Si vous utilisez un système de filtration d'eau externe, vous pouvez aussi vous servir de l'appareil sans filtre à eau. Pour ce faire, remplacez le filtre à eau par un filtre avec dérivation :

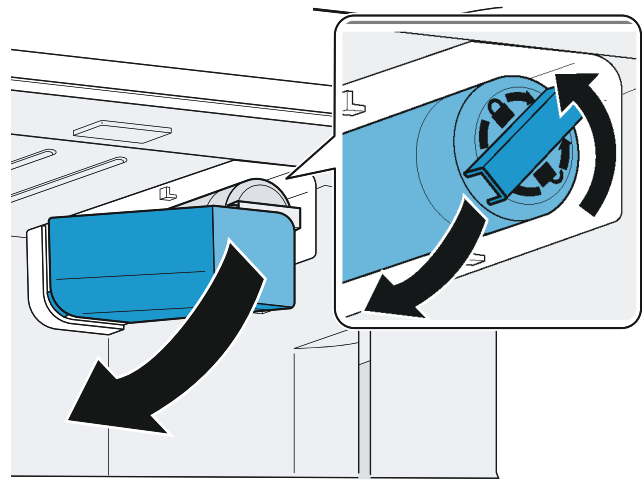
- Le filtre avec dérivation filtre les grosses particules dans l'eau potable et peut être nettoyé au besoin.
- Le filtre avec dérivation peut demeurer longtemps dans l'appareil; nul besoin de la remplacer.
- Éteignez l'alarme de changement de filtre tous les 6 mois.  
→ "Alarme de changement de filtre" à la page 55

Adressez-vous au service à la clientèle ou à un fournisseur spécialisé pour obtenir un nouveau filtre à eau ou filtre avec dérivation.

Remplacez le filtre à eau par un neuf ou par un filtre avec dérivation :

### Remarques

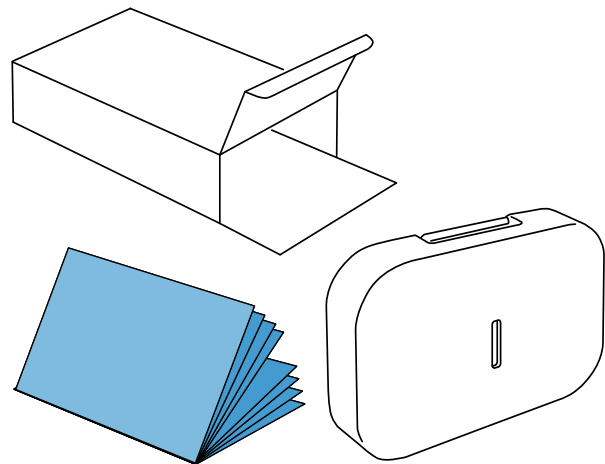
- De l'eau s'écoule du filtre lorsqu'il est remplacé. Essuyez les gouttes avec un chiffon doux.
  - Vous pouvez jeter le filtre à eau usé avec les ordures ménagères.
1. Agrippez le couvercle du filtre par la rainure inférieure, le tirer légèrement vers l'avant, puis déplacez-le à gauche vers le bas.
  2. Faites pivoter le filtre de 90° dans le sens inverse des aiguilles d'une montre, puis retirez-le.
  3. Poussez le nouveau filtre jusqu'à la butée dans l'ouverture du filtre, puis faites-le pivoter de 90° dans le sens horaire.
  4. Redéplacez le couvercle du filtre en haut vers le droite, puis poussez-le jusqu'en butée.



### Absorbeur d'éthylène


Fixez l'absorbeur d'éthylène dans le compartiment fraîcheur.

**Remarque :** Pour plus d'informations sur le montage et l'utilisation, consultez le manuel d'instructions de l'absorbeur d'éthylène.



## Utiliser l'appareil

### Allumer l'appareil


- Appuyez sur la touche  **power**.  
L'appareil commence à se refroidir. L'alarme sonore, l'affichage clignotant de température du compartiment congélateur et la touche clignotante **alarm off** indiquent que le compartiment congélateur n'est pas encore assez froid.
- Appuyez sur la touche **alarm off**.  
L'alarme sonore s'éteint.
- Réglez la température souhaitée.

### Remarques concernant le fonctionnement de l'appareil

- Une fois allumé, l'appareil pourrait prendre quelques heures à atteindre les températures réglées. Ne rangez pas de produits alimentaires tant que la température choisie n'est pas atteinte.
- Grâce au système NoFrost entièrement automatique, l'appareil ne se couvre pas de givre. Aucun dégivrage n'est nécessaire.
- L'appareil chauffe légèrement une partie de ses surfaces frontales. Cela prévient la condensation d'eau dans la zone du joint de porte.


### Arrêter et remiser l'appareil

#### Éteignez l'appareil

- Appuyez sur la touche  **power**.  
L'appareil ne réfrigère plus.

#### Éteignez l'appareil

Si l'appareil doit rester longtemps sans servir :

- Coupez l'arrivée d'eau à l'appareil.
- Retirez les aliments de l'appareil.
- Appuyez sur la touche  **power**.
- Débranchez la fiche de contact de la prise de courant ou ramenez le disjoncteur en position éteinte.  
L'appareil ne réfrigère plus.
- Retirez le filtre à eau, puis videz et nettoyez le bac à glaçons.
- Laissez les portes et les tiroirs de l'appareil ouverts.

### Régler l'unité de température

Vous avez le choix entre les unités °C et °F :

- Appuyez sur la touche **menu**.
- Appuyez sur la touche **°C/°F**.
- Appuyez sur la touche  Paramètres jusqu'à ce que l'affichage Paramètres indique **°C** ou **°F**.
- Appuyez sur la touche **menu**.  
Le réglage est mémorisé.

### Régler la température

#### Température recommandée

Compartiment réfrigérateur : 3 °C (37 °F)  
Compartiment fraîcheur : 0 °C (32 °F)  
Compartiment congélateur : -18 °C (0 °F)

#### Compartiment réfrigérateur

- Actionnez la touche  jusqu'à ce que la température souhaitée s'affiche.

#### Compartiment congélateur

- Actionner la touche  jusqu'à ce que la température souhaitée s'affiche.

### Régler le compartiment fraîcheur

Vous pouvez régler la température et l'humidité dans le bac fraîcheur avec les paramètres de rangement prédéfinis :

- Ouvrez le tiroir du bac fraîcheur.
- Appuyez sur une touche de votre choix des éléments de commande du compartiment fraîcheur.
- Maintenir enfoncée la touche **unlock** du bac fraîcheur jusqu'à ce que la réglette lumineuse soit complètement allumée.
- Appuyez sur la touche de réglage du rangement souhaitée.
- Fermez le tiroir du bac fraîcheur.  
Le réglage est mémorisé.

### Super-réfrigération

Pendant la super-réfrigération, le compartiment réfrigérateur refroidit au maximum.

Enclenchez la super-réfrigération par ex. dans les cas suivants :

- avant de ranger de grandes quantités d'aliments.
- afin de réfrigérer rapidement des boissons.

**Remarque :** Si vous avez activé la super-réfrigération, l'appareil peut fonctionner plus bruyamment.

Au bout de 6 heures, l'appareil revient en service normal.

Allumer / Éteindre la super-réfrigération :

- Appuyer sur la touche **\* super** du compartiment réfrigérateur.  
Le voyant de la touche est allumé si vous avez activé la super-réfrigération.

## Supercongélation

Le supercongélation abaisse la température dans le congélateur à son niveau le plus bas.

Activez la supercongélation par exemple :

- pour congeler des produits alimentaires à cœur rapidement
- 1 ... 2 heures avant de ranger 4,5 lb (2 kg) ou plus de produits alimentaires
- Pour augmenter la production de cubes de glace

**Remarque :** Si vous avez activé la supercongélation, l'appareil peut fonctionner plus bruyamment.

Au bout d'environ 8 heures, l'appareil retourne à son mode d'opération normal.

Allumer / Éteindre la supercongélation :

- Appuyez sur la touche **❄️ super**.  
Le voyant de la touche s'allume lorsque la supercongélation est activée.

## Mode économie d'énergie

Le mode Économie d'énergie permet de commuter en mode de fonctionnement économe en énergie.

L'appareil règle les températures automatiques suivantes :

- Compartiment réfrigérateur : 6 °C (43 °F)
- Compartiment fraîcheur : 0 °C (32 °F)
- Compartiment congélateur : -14 °C (6 °F)

Activer ou désactiver le mode Économie d'énergie :

- Appuyez sur la touche **eco**.  
La température est modifiée, l'écran indique la nouvelle température. Lorsque le mode Économie d'énergie est activée, la température affichée en dernier est réglée.

## Mode Fraîcheur

Le mode Fraîcheur permet de conserver les produits alimentaires encore plus longtemps frais.

L'appareil règle les températures automatiques suivantes :

- compartiment réfrigérateur : 2 °C (36 °F)
- compartiment fraîcheur : 0 °C (32 °F)

La température dans le compartiment congélateur reste inchangée.

Activer ou désactiver le mode Fraîcheur :

- Appuyez sur la touche **fresh**.  
La température est modifiée, l'écran indique la nouvelle température. Après avoir désactivé le mode Fraîcheur, la température conseillée est rétablie.

## Mode Vacances

En cas d'absence prolongée, vous pouvez mettre l'appareil en mode Vacances, économe en énergie.

L'appareil règle les températures automatiques suivantes :

- Compartiment réfrigérateur : 6 °C (43 °F)
- Compartiment fraîcheur : 4 °C (40 °F)

La température dans le compartiment congélateur reste inchangée.

Activer le mode Vacances :

- Appuyez sur la touche **vacation**.  
La température est modifiée, l'écran indique la nouvelle température.

Désactiver le mode Vacances :

- Appuyez sur la touche **vacation**.  
La température affichée en dernier est réglée. Pour des raisons d'hygiène, prélevez et jetez l'eau produite pendant 5 minutes.

## Mode Sabbat

En mode sabbat, toutes les fonctions non essentielles sont éteintes afin que vous puissiez utiliser l'appareil même le jour du Sabbat.

L'appareil éteint les composants suivants :

- Super-réfrigération et supercongélation
- Signaux sonores
- Éclairage intérieur
- Messages sur le panneau de commande
- Distributeur d'eau
- Distributeur de glaçons

**Remarque :** La luminosité du rétro-éclairage de l'écran est réduite lorsque le mode Sabbat est activé.

Activer le mode Sabbat :

- Maintenez la touche **vacation** enfoncée pendant 10 secondes jusqu'à ce qu'un signal acoustique retentisse.  
L'affichage **alarm off** clignote lorsque le mode Sabbat est activé.

Désactiver le mode Sabbat :

- Maintenez l'affichage **alarm off** enfoncé pendant 5 secondes jusqu'à ce qu'un signal acoustique retentisse.

**Remarque :** Au bout d'environ 72 heures, l'appareil retourne à son mode d'opération normal.

## Régler l'éclairage

Vous pouvez régler la clarté de l'éclairage intérieur de **0** ...à **5** :

### Remarque :

**0** = éclairage éteint

**1** = clarté minimum

**5** = clarté maximum

1. Appuyez sur la touche **menu**.
2. Appuyez sur la touche **light settings**.  
L'affichage Sous-menu indique **In**.
3. Appuyez sur la touche  Paramètres jusqu'à ce que l'affichage Paramètres indique la clarté souhaitée.
4. Appuyez sur la touche **menu**.  
Le réglage est mémorisé.

## Alarme de changement de filtre

Tous les 6 mois, l'alarme de changement de filtre s'enclenche; la touche **change filter** clignote.

Éteindre l'alarme de changement de filtre :

1. Remplacez le filtre à eau par un neuf ou par un filtre avec dérivation.  
→ "Filtre à eau" à la page 52
2. Maintenez la touche **change filter** enfoncée pendant 3 secondes.  
L'alarme de changement de filtre s'éteint; la touche **change filter** s'éteint. Le minuteur du filtre à eau est automatiquement réinitialisé.

Si vous remplacez le filtre à eau avant 6 mois, il vous faudra réinitialiser manuellement le minuteur du filtre à eau.

### Remarque :

**1** = le minuteur du filtre à eau est en marche

**0** = réinitialiser le minuteur du filtre à eau

1. Appuyez sur la touche **menu**.
2. Appuyez sur la touche **change filter**.
3. Appuyez sur la touche  Paramètres jusqu'à ce que l'affichage Paramètres indique **0**.
4. Appuyez sur la touche **menu**.  
Le réglage est mémorisé.



## Alarme

### Alarme de porte

Si la porte de l'appareil reste ouverte trop longtemps, l'alarme sonore se déclenche et la touche **alarm off** clignote.

Éteindre l'alarme de porte :

- Fermez la porte ou appuyez sur la touche **alarm off**.  
L'alarme sonore s'éteint, la touche **alarm off** ne clignote plus.

Pour activer ou désactiver l'alarme sonore de porte :

### Remarque :

**On** = activer l'alarme sonore de porte

**OF** = désactiver l'alarme sonore de porte

1. Appuyez sur la touche **menu**.
2. Appuyez sur la touche **alarm off**.
3. Appuyez sur la touche  Paramètres jusqu'à ce que l'affichage Paramètres indique **On** ou **OF**.
4. Appuyez sur la touche **menu**.  
Le réglage est mémorisé.

## Alarme de température

Si la température monte trop dans le compartiment congélateur, une alarme sonore retentit et le voyant de la touche **alarm off** clignote.



### ATTENTION

PENDANT LA DÉCONGÉLATION, DES BACTÉRIES PEUVENT APPARAÎTRE ET LES ALIMENTS CONGELÉS S'AVARIER.

Ne remettez pas à congeler des produits alimentaires partiellement ou entièrement décongelés.

Ne les recongelez qu'après avoir les avoir fait cuire ou rôti. N'utilisez plus la durée de conservation dans son intégralité.

**Remarque :** L'alarme de température peut s'enclencher dans les cas suivants, sans qu'il y ait de risque pour les aliments congelés :

- L'appareil est mis en route.
- Porte du compartiment congélateur restée ouverte trop longtemps.
- Rangement de grandes quantités de produits alimentaires frais.

Éteindre l'alarme de température :

1. Assurez-vous que la cause du déclenchement de l'alarme de température a été écartée.
2. Appuyez sur la touche **alarm off**.  
L'alarme sonore s'éteint et la température la plus élevée qui a régné dans le compartiment congélateur s'affiche brièvement sur l'affichage correspondant. Ensuite s'affiche à nouveau la température qui a été réglée. La température la plus élevée est de nouveau déterminée et enregistrée.

**Remarque :** La touche **alarm off** s'allume jusqu'à ce que la température réglée soit à nouveau atteinte.

## Home Connect

Cet appareil est compatible Wi-Fi et peut être commandé à distance via un terminal mobile.

**Remarque :** Wi-Fi est une marque déposée de la société Wi-Fi Alliance.

Dans les cas suivants, l'appareil fonctionne comme un réfrigérateur sans connexion réseau et peut être manipulé manuellement à l'aide des éléments de commande :

- L'appareil n'est pas connecté à un réseau domestique.
- Le service Home Connect n'est pas disponible dans le pays où est installé l'appareil. Vous trouverez la liste des pays dans lesquels Home Connect est disponible sur [www.home-connect.com](http://www.home-connect.com).

**Remarque :** Respectez les consignes de sécurité figurant dans la présente notice d'utilisation. Assurez-vous qu'elles sont également respectées si vous utilisez l'appareil via l'application Home Connect alors que vous n'êtes pas à la maison.  
→ "Consignes de sécurité importantes" à la page 35

Observez également les consignes dans l'application Home Connect.

## Configurer Home Connect

### Remarques



- Observez la fiche Home Connect disponible sous <http://www.bosch-home.com> parmi les notices à télécharger. Pour ce faire, saisissez le numéro E de votre appareil dans le champ de recherche.
- Attendez au moins deux minutes après la mise en marche de l'appareil que l'initialisation interne de l'appareil soit achevée. Ne configurez Home Connect qu'après cette dernière.
- Afin de pouvoir procéder à des réglages via Home Connect, l'application Home Connect doit être installée sur votre terminal mobile. Pour ce faire, observez les documents Home Connect fournis.

Suivez les étapes prescrites par l'appli pour procéder aux réglages.

- Si l'appareil n'est pas utilisé pendant une durée prolongée, le menu Home Connect se ferme automatiquement. Vous trouverez les instructions pour ouvrir le menu Home Connect au début des chapitres correspondants.

## Connexion automatique au réseau domestique WLAN (Wi-Fi)

Si un routeur avec la fonction WPS est disponible, le réfrigérateur peut être connecté automatiquement au réseau domestique.


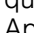
1. Appuyez sur la touche **menu**.  
La touche **connect** s'allume. L'affichage Sous-menu indique **Cn**.
2. Appuyez sur la touche  sous-menu jusqu'à ce que l'affichage du sous-menu indique **AC** et que l'affichage Paramètres indique **OF**.
3. Appuyez sur la touche  Paramètres.  
L'appareil est prêt pour la connexion automatique.  
L'affichage Paramètres montre une animation pendant 2 minutes.  
Pendant toute la durée de l'animation, l'appareil est prêt pour la connexion automatique.
4. Pendant ces 2 minutes, activez la fonction WPS du routeur du réseau domestique (p. ex. via la touche WPS. Pour plus d'informations, voir les documents du routeur).  
Si la connexion est établie avec succès, **On** clignote sur l'affichage Paramètres.  
L'appareil frigorifique est prêt pour une connexion à l'application.

**Remarque :** Si l'affichage Paramètres indique **OF**, aucune connexion ne peut être établie.

1. Vérifiez si le réfrigérateur se trouve dans la zone de portée du réseau domestique WLAN (Wi-Fi).
2. Répétez l'opération ou établissez une connexion manuelle.

## Connexion manuelle au réseau domestique WLAN (Wi-Fi)

Si le routeur existant ne dispose d'aucune fonction WPS ou si celle-ci n'est pas connue, il est possible de connecter le réfrigérateur manuellement au réseau domestique WLAN (Wi-Fi).

1. Appuyez sur la touche **menu**.  
La touche **connect** s'allume. L'affichage Sous-menu indique **Cn**.
2. Appuyez sur la touche  sous-menu jusqu'à ce que l'affichage du sous-menu indique **SA** et que l'affichage Paramètres indique **OF**.
3. Appuyez sur la touche  Paramètres.  
L'appareil est prêt pour la connexion manuelle.  
L'affichage Paramètres montre une animation.  
Pendant toute la durée de l'animation, l'appareil est prêt pour la connexion manuelle.
4. Le réfrigérateur possède désormais son propre réseau WLAN (Wi-Fi) portant le nom HomeConnect.  
Vous pouvez maintenant accéder à ce réseau avec le terminal mobile.

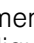



5. Suivez les instructions de l'application jusqu'à la fin de l'opération.
  - Si la connexion est établie avec succès, **On** clignote sur l'affichage Paramètres. L'appareil se connecte automatiquement à l'application.
  - Si l'affichage Paramètres indique **OF**, aucune connexion ne peut être établie. Vérifiez si le réfrigérateur se trouve dans la zone de portée du réseau domestique WLAN (Wi-Fi). Répétez l'opération.

### Connecter le réfrigérateur à l'application Home Connect

Lors de la première configuration, l'appareil se connecte automatiquement à l'application après l'établissement d'une connexion avec le réseau domestique WLAN (Wi-Fi).

Si l'appareil n'est pas connecté automatiquement à l'application, connectez l'appareil manuellement :

1. Appuyez sur la touche **menu**.  
La touche **connect** s'allume. L'affichage Sous-menu indique **Cn**.
2. Appuyez sur la touche  sous-menu jusqu'à ce que l'affichage du sous-menu indique **PA** et que l'affichage Paramètres indique **OF**.
3. Appuyez sur la touche  Paramètres pour brancher l'appareil à l'application. L'affichage Paramètres montre une animation. Dès que le réfrigérateur et l'application sont connectés, l'affichage Paramètres indique **On**.
4. Ouvrez l'application et attendez que le réfrigérateur s'affiche.  
Confirmez la connexion entre l'application et le réfrigérateur en appuyant sur **Ajouter**.  
Si le réfrigérateur ne s'affiche pas automatiquement, cliquez dans l'application sur **Ajouter l'appareil** et suivez les instructions. Dès que votre réfrigérateur s'affiche, ajoutez-le avec **+**.
5. Suivez les instructions de l'application jusqu'à la fin de l'opération.

L'affichage Sous-menu indique **PA** et l'affichage Paramètres indique **On**.  
Le réfrigérateur a été connecté à l'application avec succès.


Si la connexion a échoué, vérifiez si le terminal mobile est connecté au réseau domestique WLAN (Wi-Fi).

Répétez ensuite la procédure de connexion. Si **Er** apparaît sur l'affichage Paramètres, réinitialisez les réglages Home Connect.

**Remarque :** Lors de la réinitialisation, tous les réglages Home Connect sont réinitialisés.



### Contrôler l'intensité du signal

L'intensité du signal doit être contrôlée s'il n'est pas possible d'établir de connexion.

1. Appuyez sur la touche **menu**.  
La touche **connect** s'allume. L'affichage Sous-menu indique **Cn**.
2. Appuyez sur la touche  sous-menu jusqu'à ce que l'affichage du sous-menu indique **SI**. L'affichage Paramètres indique une valeur entre 0 (absence de réception) et 3 (réception maximale).  
Le signal doit avoir une intensité minimale de 2. La connexion peut être coupée si l'intensité du signal est trop faible.
  - Rapprochez davantage le routeur et l'appareil frigorifique.
  - Assurez-vous que la connexion n'est pas perturbée par des murs qui font écran.
  - Ou installez un répéteur pour amplifier le signal.

### Réinitialiser les réglages Home Connect

Si un problème se présente lors de la tentative d'établissement d'une connexion ou si vous souhaitez inscrire l'appareil dans un autre réseau domestique WLAN (Wi-Fi), les réglages Home Connect peuvent être réinitialisés :

1. Appuyez sur la touche **menu**.  
La touche **connect** s'allume. L'affichage Sous-menu indique **Cn**.
2. Appuyez sur la touche  sous-menu jusqu'à ce que l'affichage du sous-menu indique **rE** et que l'affichage Paramètres indique **OF**.
3. Appuyez sur la touche  Paramètres. L'affichage Paramètres montre une animation pendant 15 secondes. L'affichage Paramètres indique ensuite **OF**.  
Les réglages de Home Connect sont réinitialisés.

## Installer une mise à jour du logiciel Home Connect

Le réfrigérateur vérifie régulièrement si des mises à jour du logiciel Home Connect sont disponibles.

Si une mise à jour est disponible, l'affichage sous-menu indique **UP** :

- Confirmez la mise à jour dans l'application Home Connect.  
N'éteignez pas le réfrigérateur pendant la mise à jour.  
L'affichage Paramètres montre une animation. La mise à jour est en cours d'installation.

**Remarque** : Pendant l'installation, toutes les touches sont verrouillées.

- Si l'installation s'est déroulée correctement, l'affichage Paramètres indique **On**.
- Si l'installation est un échec, l'affichage Paramètres indique **Er**. Lancez la mise à jour ultérieurement. Si l'installation est impossible, même après plusieurs tentatives, contactez le service après-vente.

Appuyez sur n'importe quelle touche pour réinitialiser l'affichage sur la température réglée.

## Remarque sur la protection des données

Lors de la première connexion de votre appareil Home Connect à un réseau domestique WLAN (Wi-Fi) branché à Internet, votre appareil transmet les catégories de données suivantes au serveur Home Connect (premier enregistrement) :

- Code d'appareil univoque (constitué de clés d'appareil ainsi que de l'adresse MAC du module de communication Wi-Fi intégré).
- Le certificat de sécurité du module de communication Wi-Fi (pour la protection informatique de la connexion).
- La version actuelle du logiciel et du matériel de l'appareil ménager.
- L'état d'une précédente réinitialisation éventuelle des réglages d'usine.

Ce premier enregistrement prépare l'utilisation des fonctionnalités Home Connect et ne s'avère nécessaire qu'au moment où vous voulez utiliser les fonctions Home Connect pour la première fois.

**Remarque** : Veuillez noter que les fonctionnalités Home Connect ne sont utilisables qu'avec l'application Home Connect. Vous pouvez consulter les informations sur la protection des données dans l'application Home Connect.

## Compartiment réfrigérateur

Le compartiment réfrigérateur convient pour conserver la viande, la charcuterie, le poisson, les produits laitiers, les œufs, les plats précuisinés et les pâtisseries.

La température est réglable entre 1 °C (33 °F)... et 6 °C (43 °F).

Grâce au stockage au froid, vous pouvez aussi ranger des denrées très périssables à court et moyen terme. Une température de 39 °F (4 °C) ou moins garantit la fraîcheur et la propreté optimales des produits alimentaires stockés.

## Consignes de rangement

- Rangez les produits alimentaires frais et intacts. Ils conserveront ainsi plus longtemps leur qualité et leur fraîcheur.
- Respectez la date de conservation minimum ou la date de consommation indiquée par le fabricant pour les produits tout prêts et liquides conditionnés.
- Pour préserver l'arôme, la teinte et la fraîcheur, rangez les produits alimentaires bien emballés ou couverts.  
Ceci empêche en outre que certains aliments ne communiquent leur goût à d'autres et que les pièces en plastique changent anormalement de couleur.
- Attendez que les produits alimentaires chauds et les boissons aient refroidi avant de les mettre dans le compartiment réfrigérateur.

## Compartiment fraîcheur

Le compartiment fraîcheur permet de préserver la fraîcheur des aliments frais jusqu'à trois fois plus longtemps que le compartiment réfrigérateur, de maintenir ainsi encore plus longtemps la fraîcheur, de préserver les substances nutritives et le goût.

Vous pouvez modifier les réglages de rangement prédéfinis directement via les éléments de commande du bac fraîcheur, ou encore régler l'humidité et la température de -2 °C (29 °F) ... à 4 °C (40 °F) grâce via l'application Home Connect.

### Bac fraîcheur

En raison du climat de stockage qui y règne, le bac fraîcheur offre des conditions idéales pour conserver le poisson, la viande et la charcuterie ainsi que les fruits et légumes.

#### Remarques

- Afin de ne pas décrocher le couvercle du bac fraîcheur, n'entrez pas d'aliments juste en dessous du bord du bac.
- Les fruits et légumes ne doivent pas entrer en contact avec de la viande ou du poisson dans un bac fraîcheur.
- Pour préserver leur qualité et leur arôme, il est recommandé de ranger les fruits (par exemple les ananas, bananes, papayes et agrumes) et légumes (par exemple les aubergines, concombres, courgettes, poivrons, tomates et pommes de terre) qui craignent le froid hors du réfrigérateur à des températures comprises entre environ 8 °C (46 °F)...et 12 °C (54 °F).
- Suivant la quantité et la nature des produits stockés, de l'eau peu se condenser dans le bac fraîcheur.  
Essuyez l'eau condensée avec un chiffon sec et ajustez l'humidité de l'air du bac fraîcheur via le régulateur d'humidité du bac fraîcheur.

### Recommandations de stockage

Modifiez les réglages de rangement selon le type et la quantité de produits.

#### Remarque :

△ = faible humidité de l'air

△△ = humidité de l'air élevée

Viande, poisson et fruits de mer	Touche <b>29°F</b> △
Fruits, denrées mélangées avec fruits et légumes, charcuteries, fromage et produits laitiers	Touche <b>32°F</b> △
Légumes	Touche <b>32°F</b> △△
Boissons	Touche <b>34°F</b> △
Collations/Divers	Touche <b>40°F</b> △

## Compartiment congélateur

Le compartiment congélateur sert à :

- stocker des produits surgelés
- la préparation de glaçons
- congeler des produits alimentaires

La température est réglable entre -14 °C (6 °F)... et -22 °C (-7 °F).

La congélation vous permet de stocker longtemps les denrées périssables sans pertes notables de qualité vu que les basses températures ralentissent fortement la détérioration ou la stoppent. L'aspect, l'arôme et l'ensemble des ingrédients demeurent préservés dans leur très large majorité.

Le temps nécessaire à ce que les produits frais rangés au congélateur congèlent à cœur dépend des facteurs suivants :

- Température réglée
- Nature du produit alimentaire
- Degré de remplissage du compartiment congélateur
- Quantité et type de stockage

## Distributeur d'eau

Le distributeur d'eau vous permet d'obtenir de l'eau froide.

**Remarque :** Le distributeur d'eau ne fonctionne que si l'appareil a été raccordé à une source d'eau potable et muni d'un filtre.

### Avant la première utilisation

- Le circuit d'eau d'un appareil nouvellement branché, ou pourvu d'un filtre à eau neuf, contient de l'air. Faites couler l'eau jusqu'à ce qu'elle ne contienne plus de bulles d'air. Essuyez les éclaboussures avec un chiffon doux.
- Pour des raisons d'hygiène, prélevez et jetez l'eau produite pendant 5 minutes.

### Surveiller la qualité de l'eau potable

Tous les matériaux utilisés dans le distributeur d'eau sont inodores et sans saveur.

Un éventuel arrière-goût dans l'eau pourrait être causé par les facteurs suivants :

- teneur en minéraux et en chlore de l'eau potable,
- matériau de la conduite d'eau
- fraîcheur de l'eau potable

### Remarques

- Si vous n'avez pas pris d'eau depuis longtemps, elle pourrait goûter l'eau stagnante. Prélevez et jetez 5 verres d'eau.
- Vous obtiendrez une meilleure qualité d'eau si vous en prenez régulièrement.


## Distribuer de l'eau

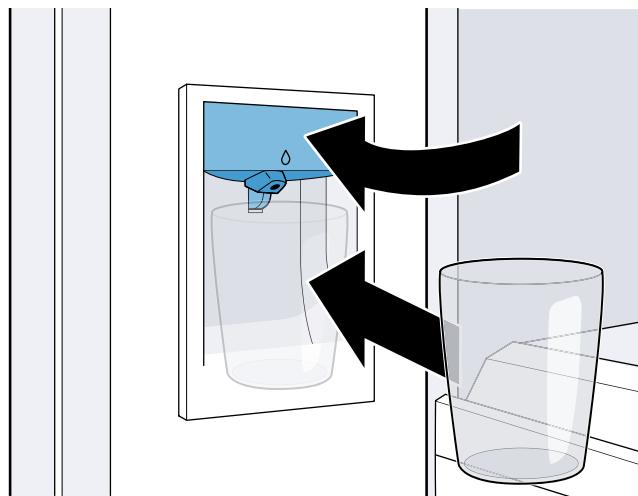
### ATTENTION

Afin de prévenir les dégâts d'eau sur votre plancher ou dans l'appareil, ne faites jamais couler l'eau en l'absence d'un verre pour la prélever.

### Remarques

- La distribution d'eau s'arrête automatiquement après 30 secondes afin de prévenir les dégâts d'eau. Attendez 5 secondes avant de relancer la distribution d'eau.
- Vous pouvez répéter ce processus à cinq reprises, après quoi la fonction s'arrête pendant 2 minutes. Attendez 2 minutes avant de relancer la distribution d'eau.
- L'eau distribuée est refroidie à une température confortable en bouche. Pour obtenir de l'eau plus froide encore, ajoutez quelques glaçons au verre.
- Lorsque l'eau coule abondamment, elle pourrait devenir un peu moins froide.

1. Maintenez le verre sous le distributeur d'eau.
2. Appuyez sur le levier de distribution avec le verre ou maintenez la touche  enfoncée jusqu'à ce que la quantité d'eau versée soit suffisante.



## Distributeur de glaçons

Le distributeur de glaçons produit des cubes de glace.

**Remarque :** La distribution de glaçons ne fonctionne que si l'appareil a été raccordé à une source d'eau potable et muni d'un filtre.

### Avant la première utilisation

- Lancez la production de glaçons.  
Les premiers glaçons sont prêts environ 4 heures après que le compartiment congélateur ait atteint la température réglée.
- Pour des raisons d'hygiène, jetez tous les glaçons produits durant les 24 premières heures.

### Lancer et arrêter la production de glaçons

#### AVERTISSEMENT

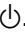
RISQUE DE BLESSURE !

Ne mettez pas votre main sous ou dans le distributeur de glaçons.

#### ATTENTION

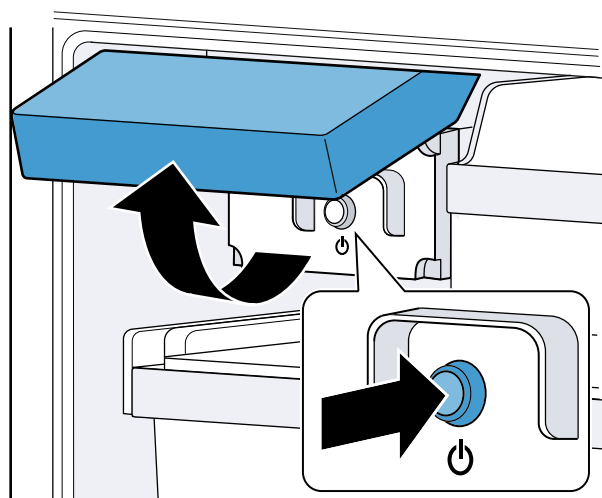
Dommmages à l'appareil!

Ne rangez jamais de bouteilles ou de produits alimentaires dans le réservoir de glaçons si la production de glaçon est enclenchée. Cela pourrait bloquer et endommager le distributeur de glaçons.

1. Ouvrez le tiroir du compartiment congélateur jusqu'en butée.
2. Ouvrez le couvercle de la machine à glace vers le haut.
3. Appuyez sur la touche de le distributeur de glaçons .  
La touche s'allume lorsque la production de glaçons est lancée.
4. Fermez le couvercle du tiroir du compartiment congélateur.

### Remarques

- Les glaçons préparés descendent automatiquement dans le bac à glaçons.
- La production de glaçons s'arrête automatiquement lorsque le réservoir de glaçons est plein.
- Pour accélérer la production de glaçons, abaissez la température dans le compartiment congélateur ou activez la supercongélation. Cela fera augmenter légèrement l'énergie consommée par votre appareil.
- Si les glaçons goûtent mauvais, jetez tous les glaçons ainsi que ceux produits durant les 24 prochaines heures. Si les glaçons goûtent toujours mauvais, changez le filtre à eau.



## Dégivrer l'appareil

Grâce au système NoFrost entièrement automatique, l'appareil ne se couvre pas de givre. Aucun dégivrage n'est nécessaire.

## Nettoyage


### ATTENTION

ÉVITEZ D'ENDOMMAGER L'APPAREIL ET SES PIÈCES D'ÉQUIPEMENT.

- N'utilisez aucun produit de nettoyage ni aucun solvant contenant du sable, du chlorure ou de l'acide.
- N'utilisez pas de nettoyant à inox pour nettoyer l'extérieur de l'appareil.
- N'utilisez jamais d'éponges abrasives ou susceptibles de rayer. De la corrosion peut apparaître sur les surfaces métalliques.
- Ne nettoyez jamais les clayettes et les bacs au lave-vaisselle. Ces pièces pourraient se déformer!

### Nettoyer le compartiment intérieur de l'appareil

Procédez comme suit :

1. Appuyez sur la touche  **power**.
2. Sortez les aliments et rangez-les au frais. Si applicable : déposez l'accumulateur de froid sur les produits alimentaires.
3. Ne nettoyez l'appareil qu'avec un chiffon doux, de l'eau tiède et du produit à vaisselle avec un pH neutre.

### ATTENTION

L'eau de nettoyage ne doit pas pénétrer dans l'éclairage.

4. Essuyez le joint de porte avec de l'eau claire et frottez soigneusement pour le sécher.
5. Raccordez à nouveau l'appareil, mettez-le sous tension et rangez les produits alimentaires.

### Nettoyer l'équipement

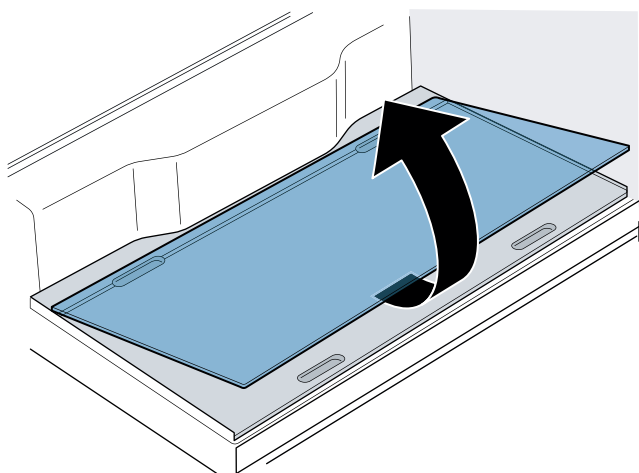
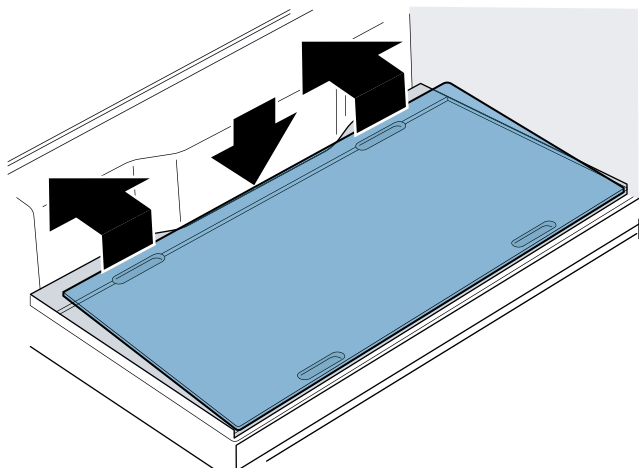
Pour nettoyer, retirer les pièces variables de l'appareil.

→ "Équipement" à la page 49

#### Plaque en verre Plaque séparatrice

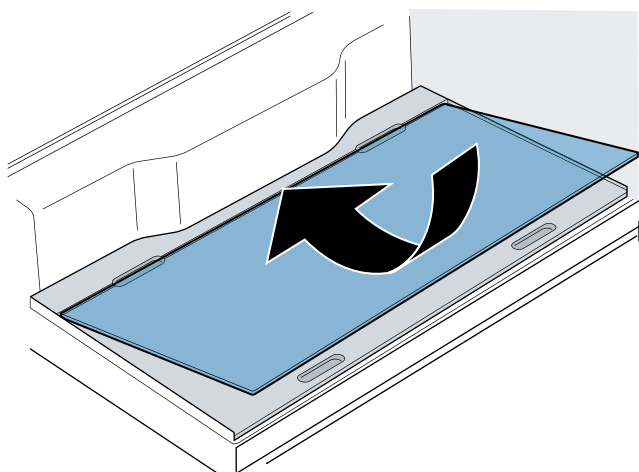
##### Démonter la plaque en verre :

1. Saisissez la plaque en verre par la cavité située à l'arrière, soulevez-la et poussez-la vers l'arrière.
2. Saisissez la plaque en verre par la cavité située à l'avant, soulevez-la et extrayez-la.



##### Poser la plaque en verre :

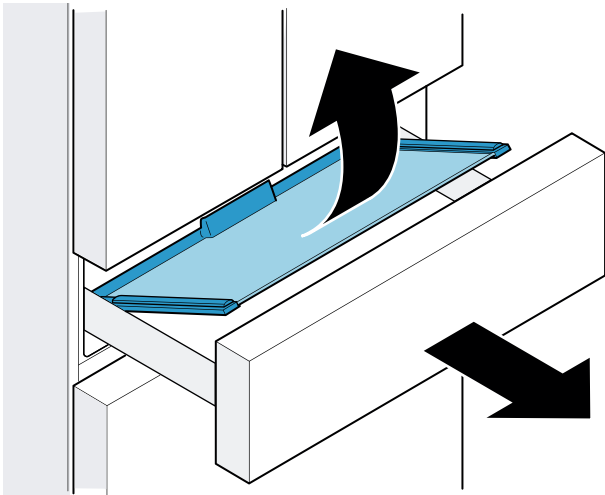
- Placez la plaque en verre sur la plaque séparatrice et faites-la glisser entièrement vers l'avant.



### Plaque en verre du tiroir

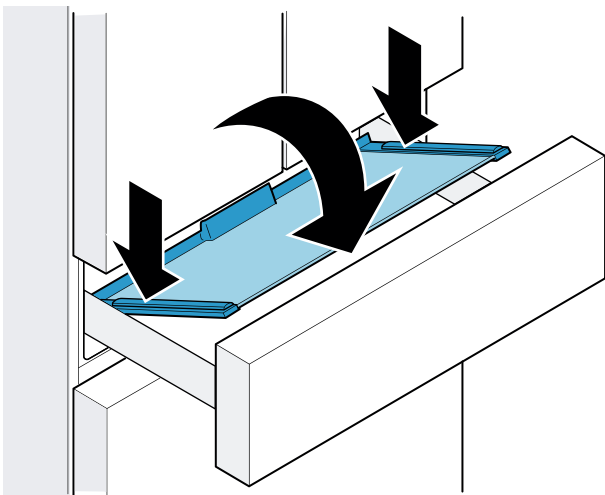
#### Démonter la plaque en verre :

1. Ouvrez le tiroir jusqu'en butée et sortez le bac.
2. Soulevez la plaque en verre à l'avant, puis extrayez-la.



#### Poser la plaque en verre :

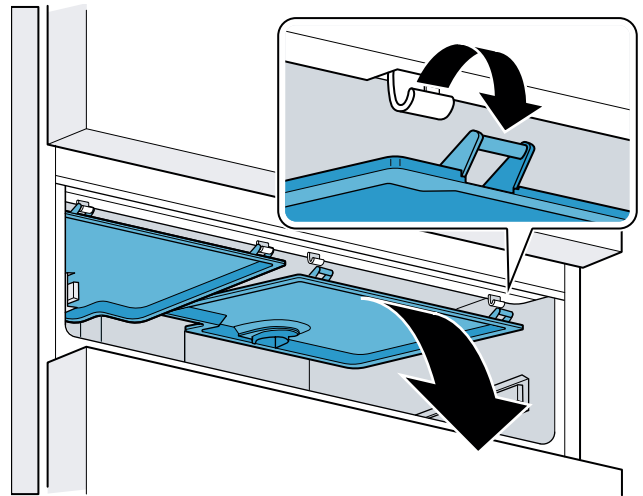
- Posez la plaque en verre derrière, sur le rail de guidage, et faites-la basculer vers l'avant.



### Couvercle du bac fraîcheur

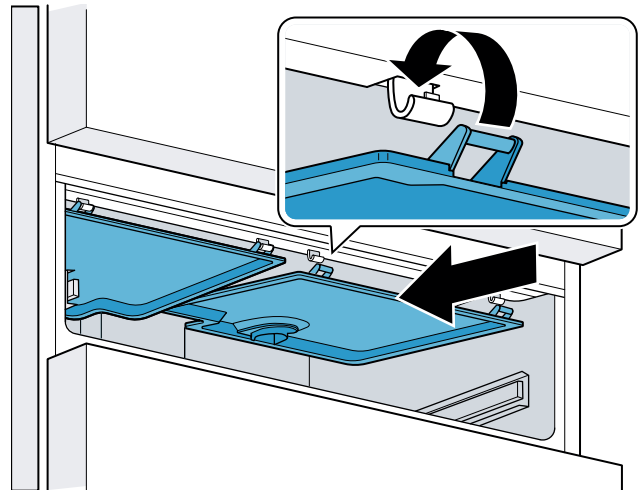
#### Démonter le couvercle :

1. Ouvrez le tiroir du bac fraîcheur jusqu'en butée et retirez le bac fraîcheur.
2. Dans le compartiment fraîcheur, soulevez le couvercle à l'avant et retirez-le.



#### Monter le couvercle :

1. Dans le compartiment fraîcheur, poussez le couvercle vers l'arrière de manière symétrique et accrochez-le.
2. Poussez le couvercle vers le haut, puis laissez-le s'enclencher.



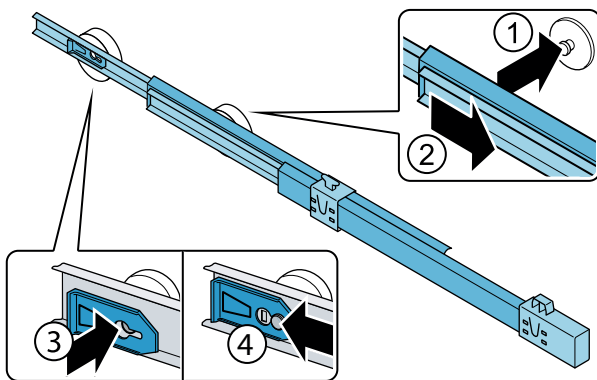
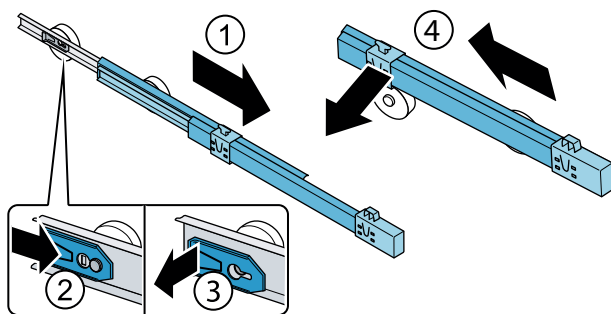
## Rails de sortie

### Démontez les rails de sortie

1. Extrayez les rails de sortie.
2. Poussez le dispositif de verrouillage dans le sens de la flèche.
3. Détachez le rail de sortie du goujon arrière.
4. Rabattez le rail de sortie sur lui-même au dessus du goujon arrière puis décrantez-le.

### Monter les rails de sortie

1. Posez le rail de sortie déployé sur le goujon avant.
2. Tirez légèrement le rail de sortie en avant pour le faire enclaner.
3. Mettez le rail de sortie en place contre le goujon arrière.
4. Poussez le dispositif de verrouillage vers l'arrière.



## Odeurs

Si des odeurs désagréables se manifestent :

1. Éteignez l'appareil avec la touche Marche / Arrêt power.
2. Sortez tous les produits alimentaires de l'appareil.
3. Nettoyez le compartiment intérieur.
4. Nettoyez tous les emballages.
5. Pour empêcher l'apparition d'odeurs, emballez hermétiquement les produits dont émane une odeur forte.
6. Remettez l'appareil en marche.
7. Remplissez l'appareil de nouveau.
8. Au bout de 24 heures, vérifiez si les odeurs persistent.

## Éclairage

Votre appareil est équipé d'un éclairage par LED ne demandant pas d'entretien.

Seul le service à la clientèle ou des spécialistes agréés sont autorisés à réparer l'éclairage.

## Bruits

### Bruits normaux

**Bourdonnement** : Un moteur tourne, par exemple le groupe frigorifique, un ventilateur ou un robinet d'eau fuit.

**Gargouillis, ronflement ou clapotis** : Le fluide frigorigène circule dans les tuyaux.

**Cliquetis** : Le moteur, les interrupteurs, les électrovannes ou le robinet d'eau s'ouvrent/se ferment.

**Craquement** : Le dégivrage automatique est en cours.

### Prévenir les bruits

**L'appareil ne repose pas d'aplomb** : ajustez l'appareil à l'aide d'un niveau à bulle. Réglez la hauteur des pattes à visser.

**L'appareil « ressort »** : décaler l'appareil des meubles ou appareils existants.

**Des récipients, clayettes ou rangements vacillent ou se coincent** : Vérifiez les pièces d'équipement amovibles et remplacez-les au besoin.

**Des bouteilles ou récipients se touchent** : éloignez les bouteilles ou récipients les uns des autres.



## Que faire en de problème.

Avant d'appeler le service à la clientèle, veuillez vérifier si le tableau ci-dessous ne contient pas déjà la solution qu'il vous faut.

### Appareil

<b>La température réelle diffère fortement de la température réglée.</b>	
	<p>Éteindre l'appareil pendant 5 minutes.            → "Arrêter et remiser l'appareil" à la page 53</p> <p>Si la température est trop élevée, vérifiez-la à nouveau au bout de quelques heures.</p> <p>Si la température est trop basse, vérifiez-la à nouveau le jour suivant.</p>
<b>Aucun voyant ne s'allume.</b>	
Fiche mâle incorrectement branchée dans la prise de courant.	Rebranchez la fiche de contact.
Fusible déclenché.	Inspecter les fusibles.
Le courant est en panne.	Vérifier la présence de courant.
<b>L'écran indique E....</b>	
Le système électronique a détecté une erreur.	Appelez le service à la clientèle.
<b>La touche alarm off clignote et une alarme sonore retentit.</b>	
	Appuyez sur la touche <b>alarm off</b> . L'alarme est éteinte.
Le compartiment réfrigérateur, le compartiment fraîcheur ou le compartiment congélateur est ouvert.	Fermez l'appareil.
Orifices d'entrée et de sortie d'air recouverts.	Dégagez les orifices d'entrée et de sortie d'air.
La température dans le compartiment réfrigérateur, le compartiment fraîcheur ou le compartiment congélateur est trop élevée.	Appuyez sur la touche <b>alarm off</b> . Après avoir appuyé sur la touche <b>alarm off</b> la température la plus élevée qui a régné dans le compartiment congélateur s'affiche pendant 5 secondes. L'affichage ne clignote plus.
<b>L'appareil ne réfrigère pas, l'affichage et l'éclairage sont allumés.</b>	
L'appareil se trouve en mode Exposition.	<p>Lancer l'autodiagnostic de l'appareil.            → "Autodiagnostic de l'appareil" à la page 67</p> <p>Une fois le programme exécuté, l'appareil se remet en mode normal.</p>

## Distributeur d'eau

<b>Le distributeur d'eau ne fonctionne pas.</b>	
Aucune alimentation d'eau.	Contrôlez le raccordement à la source d'eau et contactez un installateur au besoin.
La pression de l'eau est basse.	Raccordez l'appareil à une conduite dont la pression hydraulique est suffisante.
Le tube d'entrée est plié.	Coupez l'arrivée d'eau, redressez le tube. Remplacez le tube au besoin.
Le filtre à eau est bloqué ou doit être remplacé.	Changez le filtre à eau.
<b>De l'eau s'écoule de l'appareil.</b>	
La prise d'eau n'est pas étanche.	Assurez-vous que les raccords sont bien serrés et que le boyau d'eau est en bonne condition. Si le boyau d'eau est endommagé, contactez le service à la clientèle pour le faire remplacer. Tout remplacement doit être effectué par le service à la clientèle ou une personne dûment qualifiée. N'utilisez que des pièces de rechange d'origine venant du fabricant.

## Distributeur de glaçons

<b>Le distributeur de glaçons ne fonctionne pas.</b>	
La production de cubes de glace a été désactivée.	Lancez la production de glaçons.
Le compartiment congélateur n'est pas assez froid.	Abaissez la température. → "Utiliser l'appareil" à la page 53
Le filtre à eau est bloqué ou doit être remplacé.	Changez le filtre à eau.
Aucune alimentation d'eau.	Contrôlez le raccordement à la source d'eau et contactez un installateur au besoin.
Le distributeur de glaçons est en panne.	Appelez le service à la clientèle.
<b>Les glaçons sont produits en quantité insuffisante ou sont déformés.</b>	
Il y a trop peu de glaçons dans le réservoir si l'appareil vient d'être allumé ou si le distributeur a servi abondamment.	Il faut environ 48 heures au réservoir à glaçons vide pour se remplir.
La production de glaçon s'arrête automatiquement alors que le réservoir de glaçons n'est pas plein.	Ne pas stocker la palette à glace sur les glaçons dans le réservoir à glaçons. Dans le cas contraire, le capteur ne reconnaît pas le niveau de remplissage réel du réservoir.
Le compartiment congélateur n'est pas assez froid.	Abaissez la température. → "Utiliser l'appareil" à la page 53
La pression de l'eau est basse.	Raccordez l'appareil à une conduite dont la pression hydraulique est suffisante.

## Service à la clientèle

Avant d'appeler le service à la clientèle, veuillez vérifier que vous ne pouvez pas remédier vous-même au problème.

Si le problème persiste, veuillez vous adresser à notre service à la clientèle. Nous trouverons toujours une solution appropriée.

US	1-800-944-2904	(sans frais)
CA	1-800-944-2904	

Lors de l'appel, veuillez indiquer le numéro de série (E-Nr.) et le numéro de fabrication (FD) que vous trouverez sur la plaque signalétique.

→ "Présentation de l'appareil" à la page 47

### Autodiagnostic de l'appareil

Votre appareil comprend un programme d'autodiagnostic affichant les défauts que votre service à la clientèle peut corriger.











1. Éteignez l'appareil et attendez 5 minutes.
  2. Remettez l'appareil en marche.
  3. Au cours des 2 premières minutes, maintenez la touche **menu** enfoncée pendant 10 secondes jusqu'à ce qu'un signal sonore retentisse. L'autodiagnostic commence. Pendant l'autodiagnostic, un long signal sonore retentit.
- Si 2 signaux sonores retentissent à la fin de l'autodiagnostic et si la température réglée s'affiche : votre appareil fonctionne parfaitement.
  - Si 5 signaux sonores retentissent à la fin de l'autodiagnostic et si l'affichage Paramètres indique **Er** : prévenez le service à la clientèle.

Une fois le programme exécuté, l'appareil se remet en service normal.

### Déclaration de garantie

Consultez la déclaration ci-jointe sur la garantie de produit limitée pour de plus amples renseignements sur la garantie.

# es Índice

 <b>Indicaciones de seguridad importantes . . .</b>	<b>69</b>	 <b>Alarma . . . . .</b>	<b>89</b>
Definiciones . . . . .	69	Alarma de la puerta . . . . .	89
Acerca de este manual . . . . .	69	Alarma de temperatura . . . . .	89
Introducción . . . . .	69	 <b>Home Connect . . . . .</b>	<b>90</b>
Limitación del grupo de usuarios . . . . .	69	Configurar Home Connect . . . . .	90
Peligro de explosión . . . . .	69	Instalar la actualización de software de Home Connect . . . . .	92
Riesgo de descarga eléctrica . . . . .	70	Indicaciones sobre protección de datos . . . . .	92
Peligro de quemaduras por frío . . . . .	70	 <b>Compartimento refrigerador . . . . .</b>	<b>92</b>
Peligro de lesiones . . . . .	70	Puntos a observar al guardar los alimentos . . . . .	92
Peligro de incendio/peligro a causa de líquido refrigerante . . . . .	70	 <b>Compartimento fresco . . . . .</b>	<b>93</b>
Riesgo de incendio . . . . .	70	Cajón fresco . . . . .	93
Riesgo de asfixia . . . . .	70	Recomendaciones de almacenamiento . . . . .	93
Daños materiales . . . . .	71	 <b>Congelador . . . . .</b>	<b>93</b>
Peso . . . . .	71	 <b>Dispensador de agua . . . . .</b>	<b>94</b>
Advertencias en virtud de la Proposición 65 del estado de California . . . . .	71	Antes del primer uso . . . . .	94
 <b>Uso previsto . . . . .</b>	<b>72</b>	Tener en cuenta la calidad del agua potable . . . . .	94
 <b>Protección del medio ambiente . . . . .</b>	<b>72</b>	Dispensar agua . . . . .	94
Embalaje . . . . .	72	 <b>Máquina de hielo . . . . .</b>	<b>95</b>
Aparato usado . . . . .	72	Antes del primer uso . . . . .	95
 <b>Instalación y conexión . . . . .</b>	<b>72</b>	Encender o apagar la producción de cubitos de hielo . . . . .	95
Material entregado . . . . .	72	 <b>Descongelación . . . . .</b>	<b>95</b>
Datos técnicos . . . . .	72	 <b>Limpiar . . . . .</b>	<b>96</b>
Instalar el aparato . . . . .	73	Limpiar el interior del aparato . . . . .	96
Ahorrar energía . . . . .	79	Limpiar los accesorios . . . . .	96
Antes del primer uso . . . . .	80	 <b>Olores . . . . .</b>	<b>98</b>
Conexión a la toma de agua . . . . .	80	 <b>Iluminación . . . . .</b>	<b>98</b>
Conexión a la red eléctrica . . . . .	80	 <b>Ruidos . . . . .</b>	<b>98</b>
 <b>Familiarizándose con el aparato . . . . .</b>	<b>81</b>	Ruidos normales . . . . .	98
Aparato . . . . .	81	Evitar ruidos . . . . .	98
Controles . . . . .	82	 <b>¿Qué hacer en caso de avería? . . . . .</b>	<b>99</b>
Equipamiento . . . . .	83	Aparato . . . . .	99
 <b>Manejo del electrodoméstico . . . . .</b>	<b>87</b>	Dispensador de agua . . . . .	100
Encender el aparato . . . . .	87	Máquina de hielo . . . . .	100
Apagar y cerrar el aparato . . . . .	87	 <b>Servicio de atención al cliente . . . . .</b>	<b>101</b>
Ajustar de la unidad de temperatura . . . . .	87	Autoprueba del aparato . . . . .	101
Ajustar la temperatura . . . . .	87	Declaración de garantía . . . . .	101
Ajustar el compartimento fresco . . . . .	87		
Super frío . . . . .	87		
Supercongelación . . . . .	88		
Modo de ahorro energético . . . . .	88		
Modo fresco . . . . .	88		
Modo vacaciones . . . . .	88		
Modo Sabbat . . . . .	88		
Ajustar la iluminación . . . . .	89		
Alarma de cambio de filtro . . . . .	89		



# Indicaciones de seguridad importantes

¡LEER Y CONSERVAR ESTAS INDICACIONES!

## Definiciones

### **ADVERTENCIA**

Hacer caso omiso de esta advertencia puede causar lesiones graves o la muerte.

### **ATENCIÓN**

Hacer caso omiso de esta advertencia puede provocar lesiones leves o moderadas.

**AVISO:** Hacer caso omiso de esta advertencia puede causar daños al aparato.

**Nota:** Esto indica información y/o consejos importantes.

## Acerca de este manual

- Lea y siga las instrucciones de uso y de montaje. Ellas contienen información importante sobre la instalación, uso y mantenimiento del aparato.
- Guarde todas las instrucciones de uso y de montaje para futuras consultas y posteriores propietarios.

## Introducción

- Este aparato cumple las normas específicas de seguridad para aparatos eléctricos.
- La estanqueidad del circuito de refrigeración viene verificada de fábrica.

## Limitación del grupo de usuarios

- Este dispositivo no está destinado a ser utilizado por personas (incluidos niños) con capacidades físicas, sensoriales o mentales limitadas, o por falta de experiencia o conocimiento, a menos que sea supervisado por una persona responsable de su seguridad o que hayan recibido instrucciones sobre cómo usar el aparato.
- Se debe vigilar a los niños para asegurarse de que no jueguen con el aparato.

## Peligro de explosión

- Nunca use aparatos eléctricos en el interior del aparato (por ejemplo, calefactores o máquinas eléctricas para hacer hielo).
- No guarde productos que contengan gases propelentes o inflamables (por ejemplo, latas de aerosol), ni tampoco materiales explosivos en el aparato.
- Almacene el alcohol de alta graduación solamente en recipientes herméticos y en posición vertical.
- Con excepción de las indicaciones del fabricante, no adopte medidas adicionales para acelerar la descongelación.




# Indicaciones de seguridad importantes

¡LEER Y CONSERVAR ESTAS INDICACIONES!

## Riesgo de descarga eléctrica

Una incorrecta instalación o reparación puede implicar serios peligros para el usuario.

- Al instalar el aparato, asegúrese de que el cable de conexión a la red eléctrica no quede atrapado ni se dañe.
- Para evitar peligros, desconecte el aparato inmediatamente en caso de que el cable de conexión esté dañado. Póngase en contacto con el fabricante, el Servicio de atención al cliente o con una persona con una cualificación similar para que sustituya el cable de red.
- No utilice nunca tomas de corriente múltiples ni cables de prolongación o adaptadores.
- Antes de que realice trabajos de mantenimiento o instale el aparato, desenchúfelo de la red eléctrica o apague el fusible.  
Antes de limpiar el electrodoméstico, pulsar la tecla  power para apagar el aparato.  
Es posible cambiar de lugar las bandejas de cristal u otras piezas de equipamiento mientras el aparato está encendido.
- Nunca corte o retire el tercer conductor (conductor a tierra) del cable de conexión a la red eléctrica.
- Nunca utilice ningún tipo de limpiador de vapor para derretir la escarcha o limpiar el aparato. El vapor puede llegar a las piezas eléctricas y causar un cortocircuito.
- El aparato, cables y accesorios solamente deben ser reparados o cambiados por el fabricante o por un proveedor autorizado.
- Utilice únicamente piezas originales del fabricante.  
El fabricante garantiza que estas piezas cumplen los requisitos de seguridad.

## Peligro de quemaduras por frío

- Nunca introduzca los alimentos congelados - inmediatamente después de sacarlos del congelador - directamente en la boca.

- Evite el contacto prolongado de la piel con los alimentos congelados, el hielo o los tubos del congelador.

## Peligro de lesiones

Los envases con bebidas carbonatadas pueden estallar.

No almacene envases con bebidas carbonatadas en el congelador.



## Peligro de incendio/peligro a causa de líquido refrigerante

En los tubos del circuito de enfriamiento fluye una pequeña cantidad de un refrigerante ecológico, pero inflamable (R600a). Si el líquido refrigerante sale a chorro puede inflamarse o provocar lesiones en los ojos.

- No dañar los tubos.

En caso de daños en los tubos:

- Mantener las fuentes de fuego o focos de ignición alejados del aparato.
- Ventilar el lugar.
- Apagar el aparato y desenchufar.
- Llamar al Servicio de atención al cliente.



## Riesgo de incendio

Las tomas de corriente múltiples portátiles o las fuentes de alimentación portátiles pueden sobrecalentarse y provocar incendios.

No colocar tomas de corriente múltiples portátiles ni fuentes de alimentación portátiles detrás del aparato.

## Riesgo de asfixia

- No dejar el embalaje o sus partes a los niños.
- Para evitar que los niños trepen al aparato, no retire la pared divisora del recipiente para productos congelados (grande).

# Indicaciones de seguridad importantes

¡LEER Y CONSERVAR ESTAS INDICACIONES!

## Daños materiales

Para evitar daños materiales:

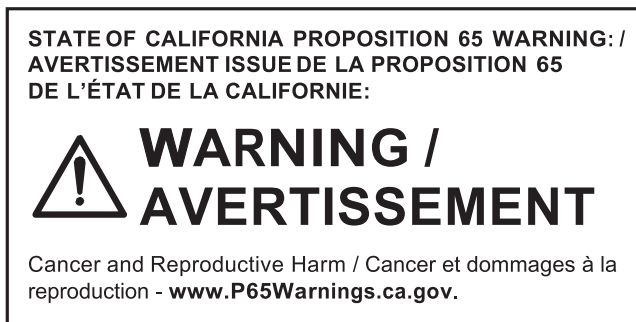
- No pise, ni se apoye sobre el zócalo, cajones o puertas.
- Mantenga las piezas de plástico y juntas de goma limpias de aceites y grasas.
- Tirar del enchufe - no del cable de conexión.

## Peso

El aparato es muy pesado. Realizar la instalación y el transporte del aparato siempre con un mínimo de 2 personas.  
→ "Instalar el aparato" en la página 73

## Advertencias en virtud de la Proposición 65 del estado de California

Este producto puede contener un químico que el Estado de California reconoce como potencialmente cancerígeno o causante de daños reproductivos. Por tanto, su producto debe llevar en su embalaje la siguiente etiqueta de conformidad con la legislación de California:



## Uso previsto

Use este aparato

- solamente para refrigerar y congelar alimentos, para la fabricación de hielo y para dispensar agua potable.
- solo para uso doméstico o en el entorno del hogar.
- solo de acuerdo a estas instrucciones de uso.

Este aparato está previsto para ser utilizado a una altura máxima de 13123 ft (4000 m) sobre el nivel del mar.

## Protección del medio ambiente

### Embalaje

Todos los materiales son ecológicos y reciclables:

- Deseche el embalaje conforme a la normativa medioambiental.
- Pregunte a su Distribuidor o en su Administración Pública acerca de los métodos de eliminación.

### Aparato usado

Mediante una eliminación respetuosa con el medio ambiente, se pueden recuperar materias primas valiosas.

### ADVERTENCIA

¡LOS NIÑOS SE PUEDEN ENCERRAR Y ASFIXIAR EN EL APARATO!

Antes de eliminar el aparato usado:

- Desmontar las puertas.
- Dejar las bandejas y recipientes dentro del aparato, para dificultar que los niños se suban.
- Mantenga a los niños lejos de los aparatos usados.

### ATENCION

SE PUEDEN ESCAPAR REFRIGERANTES Y GASES NOCIVOS.

No dañe las tuberías del circuito de refrigeración y aislamiento.

1. Desconecte el enchufe.
2. Corte el cable de conexión del aparato.
3. Eliminar el aparato correctamente.

## Instalación y conexión

### Material entregado

Verifique que todas las piezas no presenten daños ni desperfectos debidos al transporte tras desembalarlas.

Si hay daños, diríjase al distribuidor en donde adquirió su electrodoméstico o a nuestro Servicio de atención al cliente.

El envío consta de los siguientes elementos:

- Aparato de libre instalación
- Material de montaje
- Equipamiento (según modelo)
- Instrucciones de uso y montaje
- Declaración sobre la garantía limitada del producto
- Informaciones sobre el consumo de energía y los ruidos del aparato

### Datos técnicos

El refrigerante utilizado, la capacidad útil y otros datos técnicos se encuentran en la placa de identificación.

→ "Familiarizándose con el aparato" en la página 81

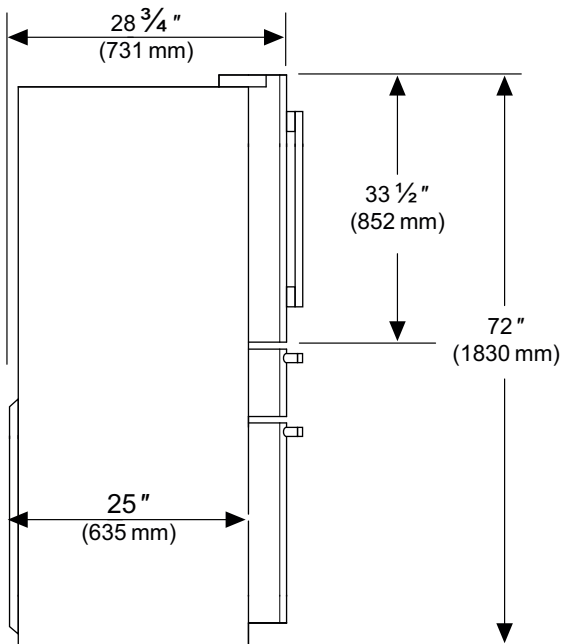
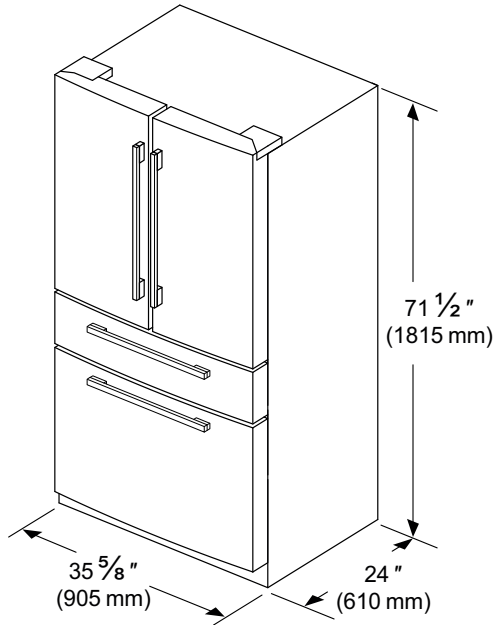


## Instalar el aparato

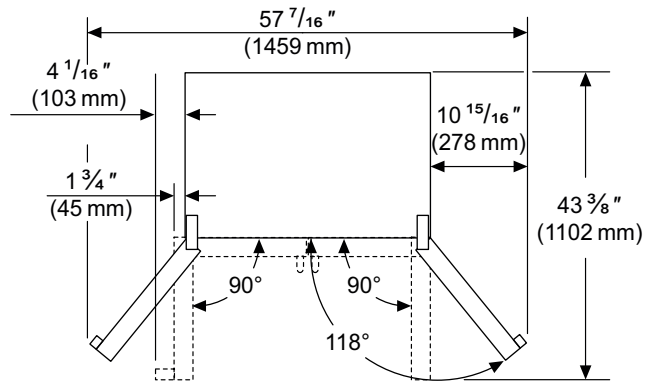
### Lugar de instalación

El peso de su aparato puede ser de hasta 419 lb (190 kg), dependiendo del modelo. El piso debe ser lo suficientemente estable, no debe ceder por el peso. Si es necesario, refuerce el piso.

### Cotas de instalación



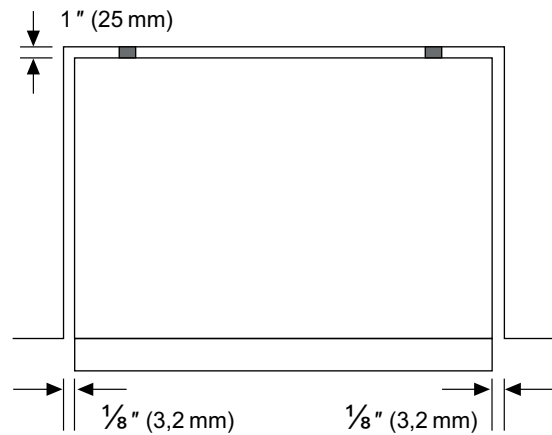
### Ángulo de apertura de la puerta



### Distancias mínimas

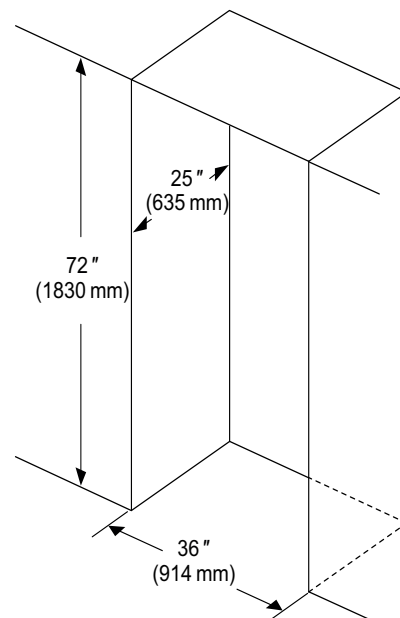
Dejar una distancia hasta el aparato hacia arriba de  $\frac{1}{2}$ " (12,7 mm).

Mantener las distancias mínimas siguientes:



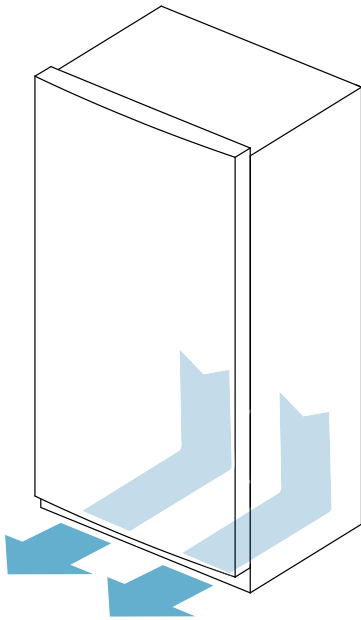
### Medidas del hueco de encastre

Si se coloca el aparato en un nicho, respetar las siguientes medidas:



### Ventilación

No cubrir u obstruir las aberturas de ventilación y aireación.

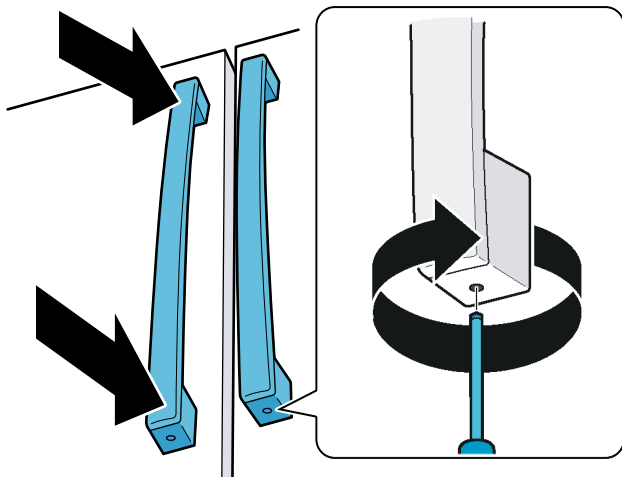


### Monta la manija

1. Colocar verticalmente el mango en los pernos premontados.

**Nota:** Los agujeros del mango tienen que señalar hacia arriba y abajo.

2. Con una llave hexagonal enroscar 2,5 mm en sentido de las manecillas de reloj las roscas de arriba y abajo premontadas en el mango.

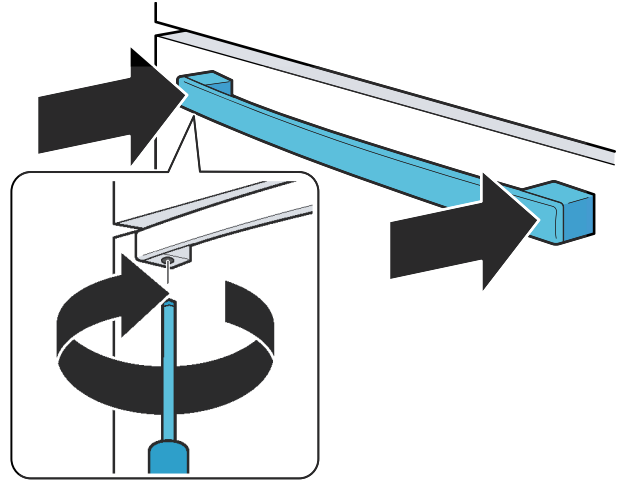


### Montar el mango del cajón

1. Introducir el mango horizontalmente sobre los pernos premontados.

**Nota:** Los agujeros del mango tienen que mirar hacia abajo.

2. Con una llave hexagonal enroscar 2,5 mm en sentido de las manecillas de reloj las roscas de arriba y abajo premontadas en el mango.



### Nivelar el aparato

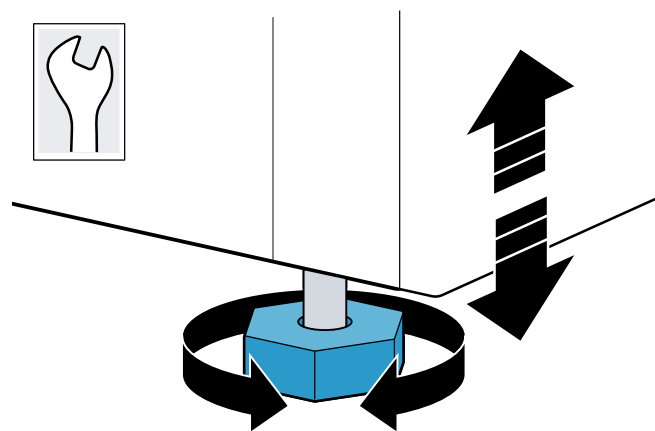
#### ⚠ ATENCION

- Para evitar daños en el suelo, mueva el aparato hacia arriba con las patas roscadas.
- Para que el aparato no ruede o se incline al abrir la puerta, las patas roscadas delanteras tienen siempre que tocar el suelo.

Debajo del aparato se encuentran rueditas para desplazarlo y alinearlo fácilmente:

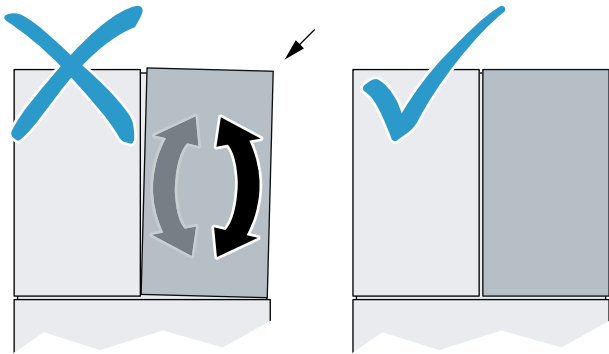
1. Colocar el aparato en posición vertical sobre una base firme y plana.
2. Enroscar hacia abajo ambas patas roscadas delanteras para que puedan tocar el suelo.
3. Nivelar las irregularidades del suelo a través de las patas roscadas delanteras.

**Nota:** Utilizar un nivel de burbuja para nivelar el aparato.



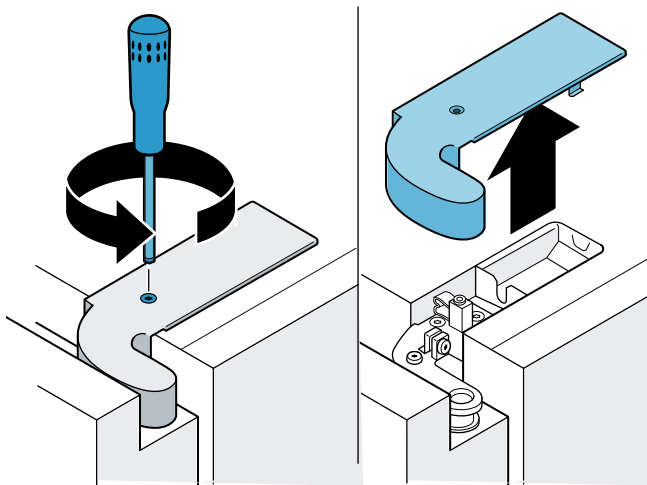
## Nivelar las puertas del compartimento frigorífico

### Nivelar el resquicio vertical de las puertas:



**Nota:** En caso de que sea necesario, retirar el contenido de las puertas.

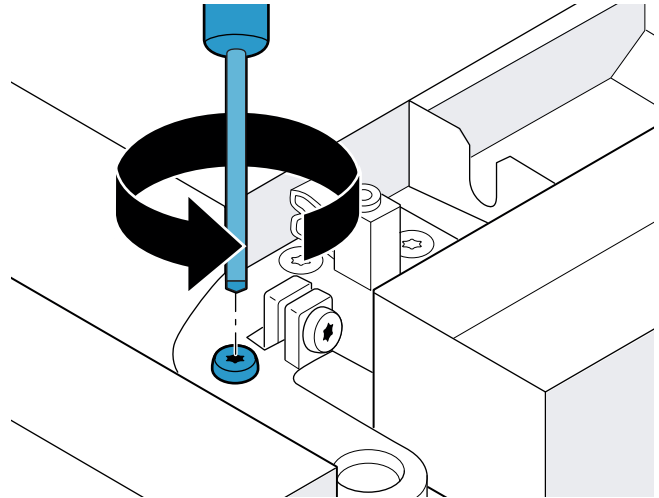
1. Retirar el tornillo T20 y la tapa protectora de la bisagra.



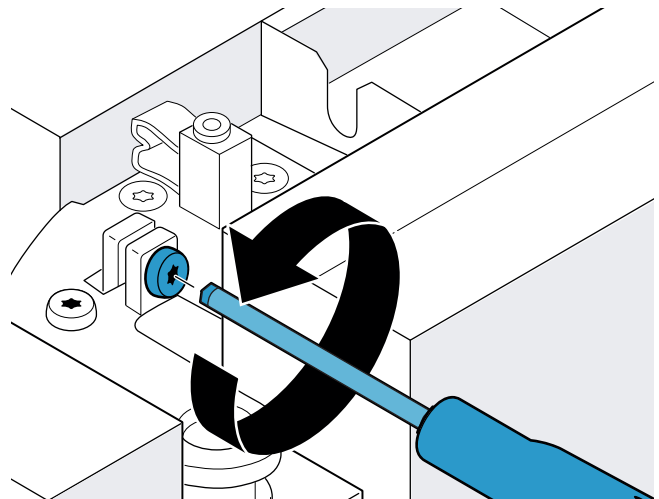
2. Aflojar el tornillo de seguridad.

### **⚠ ATENCION**

No retirar el tornillo de seguridad.

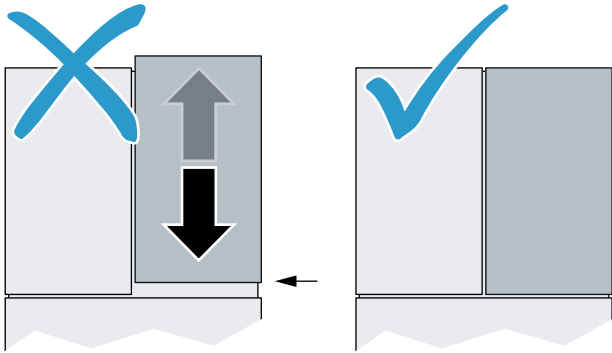


3. Girar el tornillo de ajuste con la puerta cerrada hasta alcanzar la posición deseada.
  - Para mover el extremo superior de la puerta hacia el lado exterior del aparato, debe girarse en el sentido de las manecillas del reloj.
  - Para mover el extremo superior de la puerta hacia el lado interior del aparato, debe girarse en sentido contrario de las manecillas del reloj.



4. Cerrar la puerta para controlar la posición y corregir en caso necesario.
5. Apretar otra vez el tornillo de seguridad.
6. Montar la tapa protectora y volver a apretar el tornillo T20.

**Alinear el resquicio horizontal de las puertas:**

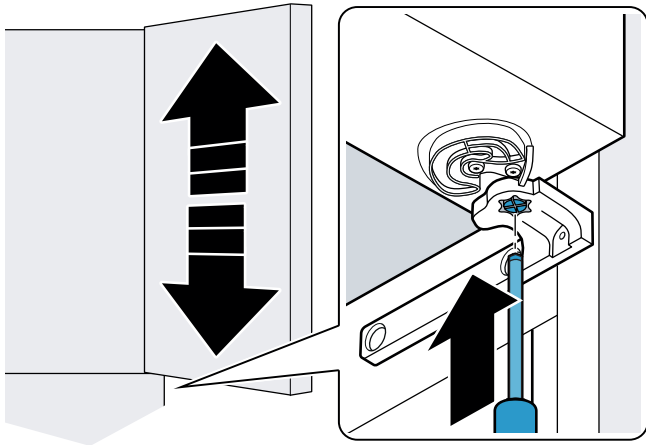


**⚠ ATENCION**

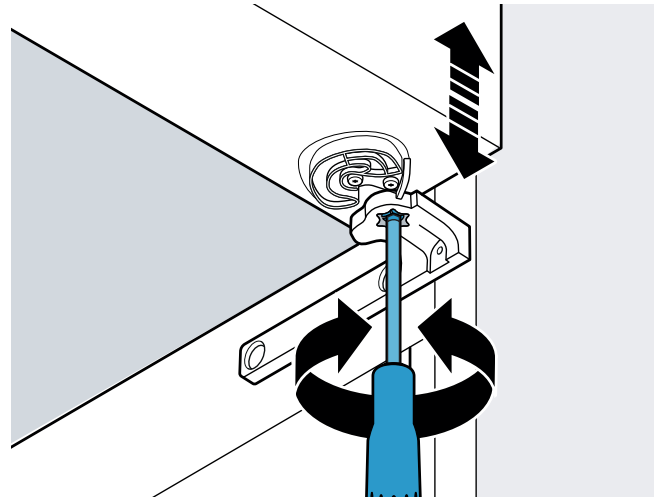
Para prevenir daños en el aparato cuando el montante de la puerta colisione arriba con la carcasa, mueva hacia abajo la puerta derecha.

**Nota:** En caso de que sea necesario, retirar el contenido de las puertas.

1. Abrir las puertas y los cajones.
2. Levantar la puerta y guiarla por abajo con un destornillador hasta la bisagra.



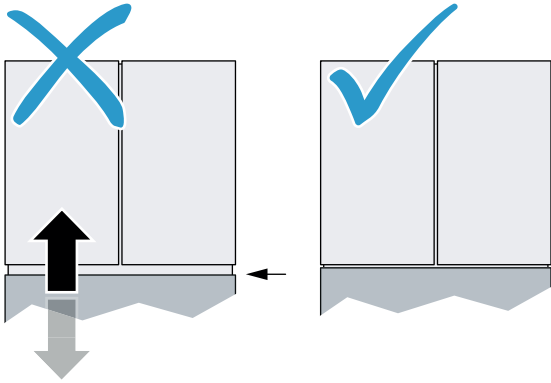
3. Presionar hacia arriba la pieza de ajuste y girarla unos 60° hasta alcanzar la posición deseada.
  - La altura de la puerta se puede ajustar en 2 niveles de 1/16" (1,5 mm) respectivamente. Tras el nivel más alto sigue el más bajo. La pieza de ajuste encaja en cuanto se alcance una posición.
  - Para mover la puerta hacia arriba debe girarse en sentido de las manecillas del reloj.
  - Para mover la puerta hacia abajo debe girarse en sentido contrario de las manecillas del reloj.



4. Cerrar la puerta y el cajón para comprobar la posición y, en caso sea necesario, corregirla.

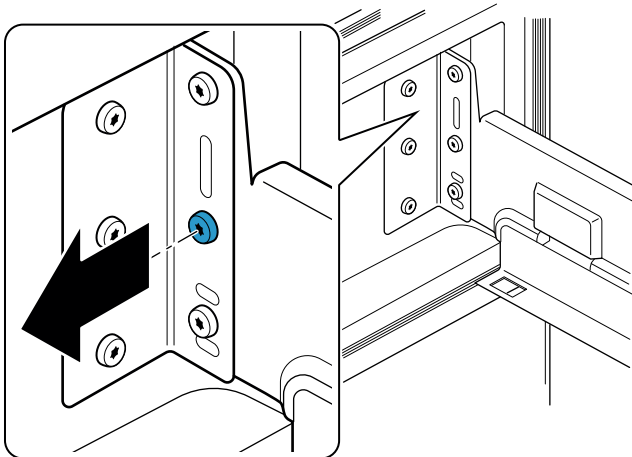
### Alinear los cajones

Puede colocar los cajones en posición vertical:



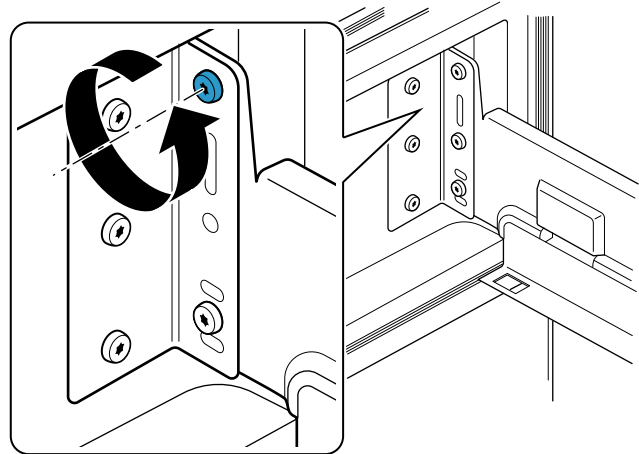
1. Abrir el cajón hasta el tope y retirar el contenedor.
2. Retirar los tornillos medios en ambos lados.

**Nota:** Si desea restablecer los ajustes de fábrica del cajón, conserve los tornillos.



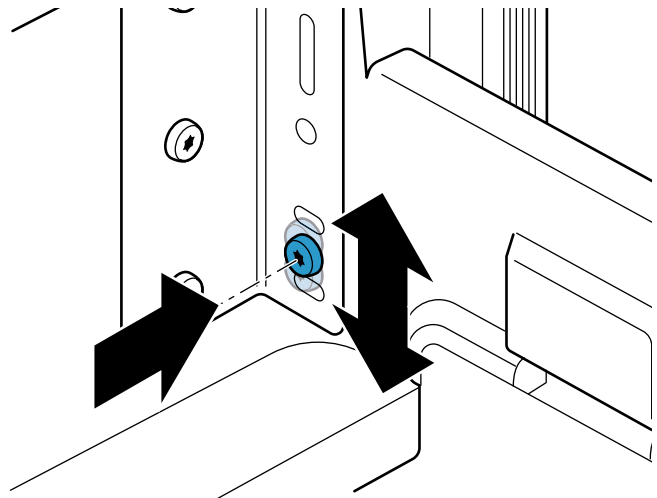
3. Aflojar los tornillos superiores en ambos lados.

**Nota:** No retirar los tornillos.



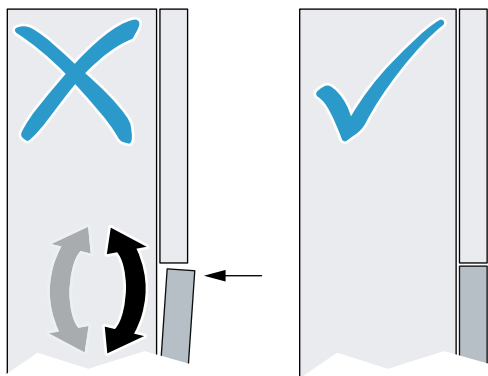
4. Levantar el cajón y retirar los tornillos inferiores en ambos lados.
5. Mover el cajón hacia arriba o hacia abajo hasta la posición deseada y enroscar los tornillos inferiores en ambos lados en los orificios previstos para ello.

**Nota:** El cajón puede ajustarse unos 1/16" (2 mm) hacia arriba y abajo.



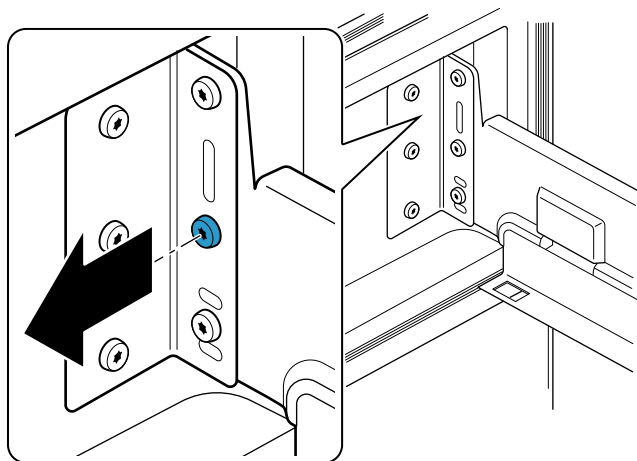
6. Volver a apretar todos los tornillos.
7. Cerrar el cajón para comprobar la posición y corregirla si fuera necesario.

**Puede alinear la inclinación de los cajones:**



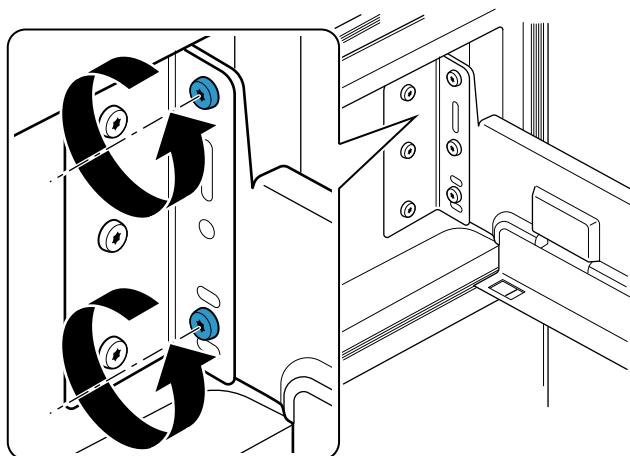
1. Abrir el cajón hasta el tope y retirar el contenedor.
2. Retirar los tornillos medios en ambos lados.

**Nota:** Si desea restablecer los ajustes de fábrica del cajón, conserve los tornillos.

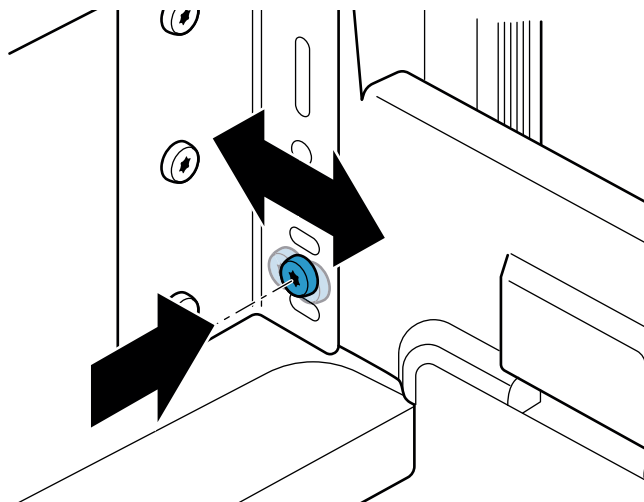


3. Aflojar los tornillos superiores e inferiores en ambos lados.

**Nota:** No retirar los tornillos.



4. Mover el cajón hacia la izquierda o hacia la derecha por el tornillo inferior hasta la posición deseada y apretar el tornillo.



5. Volver a apretar todos los tornillos.
6. Cerrar el cajón para comprobar la posición y corregirla si fuera necesario.

## Ahorrar energía

Si sigue estas instrucciones, el aparato consume menos corriente.

**Nota:** La disposición de las piezas de equipo no afectará el consumo de energía de aparato.

Instalar el aparato	
Proteger el aparato de la luz directa del sol.	Cuando la temperatura ambiente es más baja, el aparato enfría con menos frecuencia, consumiendo menos corriente.
Coloque el aparato a la mayor distancia posible de radiadores, estufas u otras fuentes de calor: Distancia mínima de 1¼" (3 cm) con estufas eléctricas o de gas. Distancia mínima de 11¾" (30 cm) con estufas de aceite o carbón.	
Seleccione el lugar de instalación con una temperatura ambiente de aproximadamente 68 °F (20 °C).	
No cubrir u obstruir las aberturas de ventilación.	
Ventilar diariamente la habitación.	Cuando el aire caliente puede salir, el aparato enfría con menos frecuencia y por lo tanto consume menos corriente.
Uso del aparato	
Abrir la puerta del aparato solo brevemente.	El aire en el interior del aparato no se calienta tanto. El aparato debe enfriar con menos frecuencia y, por lo tanto, consume menos corriente.
Transporte los alimentos comprados en una bolsa térmica y colóquelos inmediatamente en el aparato.	
Deje enfriar los alimentos o bebidas calientes hasta temperaturas ambientes antes de introducirlos en el aparato.	
Para utilizar el frío de los productos congelados, descongele los productos congelados en el compartimento refrigerador.	
Siempre deje un poco de espacio entre los alimentos y el panel posterior.	El aire puede circular y la humedad del aire permanece constante. El aparato debe enfriar con menos frecuencia y, por lo tanto, consume menos corriente.
Envasar herméticamente los alimentos.	El aparato consume menos corriente cuando el aire caliente puede salir.
No cubrir ni obstruir las aberturas de ventilación.	
Aspirar las aberturas de ventilación una vez al año o cuantas veces sea necesario.	

## Antes del primer uso

1. Retirar el material informativo y eliminar las cintas adhesivas, así como las láminas protectoras.
2. Sacar el cable de conexión del aparato.
3. Limpiar el aparato.
4. Montar el equipamiento.  
→ "Equipamiento" en la página 83

## Conexión a la toma de agua

### ATENCION

- No doblar, aplastar, modificar ni cortar las mangueras de agua.
- Nunca tire de la manguera de agua de la parte trasera del aparato.
- Para evitar daños al aparato y garantizar el correcto funcionamiento de la unidad, conectar el aparato solamente a una tubería de agua potable.
- Para evitar daños por agua, se debe instalar una válvula de cierre.

### Notas

- La instalación y la conexión del aparato deben realizarse por personal especializado.
- Tener en cuenta las normativas locales de la conexión de agua.

### Presión del agua de la tubería de agua potable

### ATENCION

Para evitar daños al aparato, se debe instalar un limitador de presión entre la toma de agua y el juego de mangueras, si la presión del agua excede el valor máximo.

**Nota:** Si la presión del agua es demasiado baja, las funciones correspondientes del aparato se verán perjudicadas.

- Presión del agua mín.: 0,2 Mpa (2 bar / 29 psi)
- Presión del agua máx.: 0,8 Mpa (8 bar / 116 psi)

## Conexión a la red eléctrica

### ATENCION

No conecte el aparato a enchufes de ahorro de energía electrónicos.

**Nota:** El aparato se puede conectar a convertidores conmutados por red o de onda sinusoidal.

Los convertidores conmutados por red se emplean en las instalaciones fotovoltaicas conectadas directamente a la red pública de abastecimiento de corriente eléctrica. En instalaciones aisladas deberán emplearse los convertidores de onda sinusoidal. Las instalaciones aisladas, por ejemplo en barcos o refugios de montaña, no tienen conexión directa a la red pública de corriente eléctrica.

1. Insertar el conector del cable de red al aparato.
2. Debe asegurarse que la toma de corriente se ha instalado correctamente y cumple con los requerimientos exigidos.

### Requisitos para las tomas de corriente

Toma de corriente con 110 V ... 127 V con  
conductor de protección: 60 Hz  
Fusible: 10 A ... 16 A

### Carga máxima simultánea

Aparato: 6 A

3. Conecte el aparato a una toma de corriente cerca del aparato.  
La toma de corriente debe estar fácilmente accesible después de la instalación del aparato.

### ADVERTENCIA

¡RIESGO DE DESCARGA ELÉCTRICA!

No utilice nunca tomas de corriente múltiples, ni cables de prolongación o adaptadores.

El aparato debe estar conectado a tierra adecuadamente.

Nunca corte o retire el tercer conductor (conductor a tierra) del cable de conexión a la red eléctrica.

### ADVERTENCIA

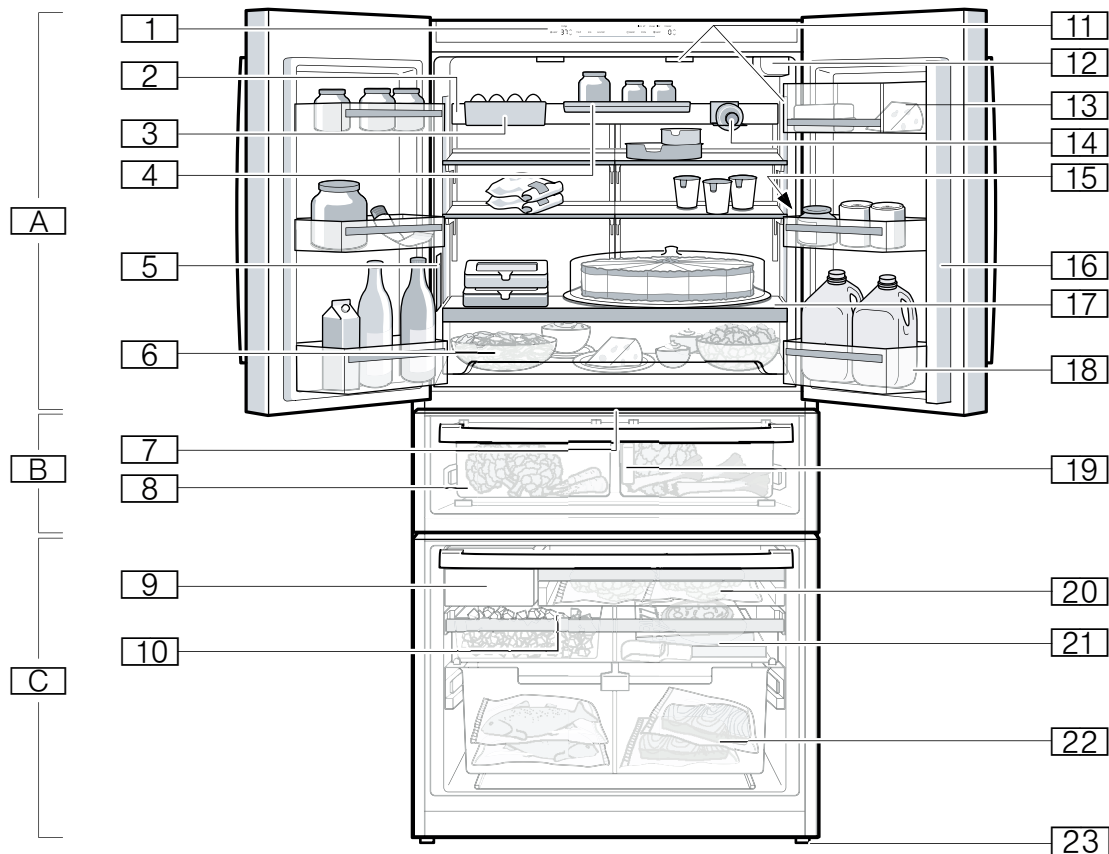
¡RIESGO DE DESCARGA ELÉCTRICA!

Si la longitud del cable de conexión a la red eléctrica no es suficiente, no utilice nunca ni tomas de corrientes múltiples ni cables de prolongación. Contacte al Servicio de atención al cliente para mayor información.



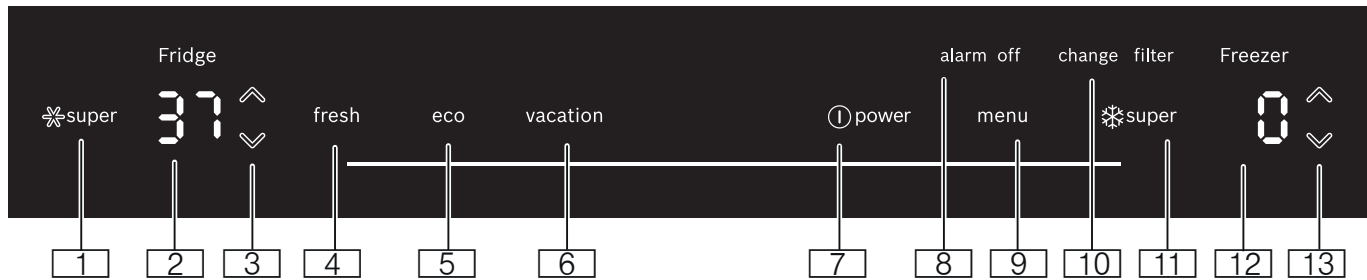
# Familiarizándose con el aparato

## Aparato



- |           |  |           |   |
|-----------|--|-----------|---|
| <b>A</b>  | Compartimento refrigerador                         | <b>11</b> | Iluminación interior                                  |
| <b>B</b>  | Compartimento fresco                               | <b>12</b> | Filtro de agua  |
| <b>C</b>  | Congelador   | <b>13</b> | Compartimentos para guardar la mantequilla y el queso |
| <b>1</b>  | Controles  | <b>14</b> | Balda portabotellas (colgante)                        |
| <b>2</b>  | Barra de equipamiento                              | <b>15</b> | Placa de características                              |
| <b>3</b>  | Recipientes (colgantes)                            | <b>16</b> | Montante de puerta con protección contra condensación |
| <b>4</b>  | Bandeja (colgante)                                 | <b>17</b> | Bandeja fija  |
| <b>5</b>  | Dispensador de agua                                | <b>18</b> | Estante para guardar botellas grandes                 |
| <b>6</b>  | Contenedor extraíble                               | <b>19</b> | Absorbente de etileno                                 |
| <b>7</b>  | Elementos de mando del compartimento fresco        | <b>20</b> | Recipiente para productos congelados (pequeño)        |
| <b>8</b>  | Cajón fresco                                       | <b>21</b> | Recipiente para productos congelados (plano)          |
| <b>9</b>  | Máquina de hielo                                   | <b>22</b> | Recipiente para productos congelados (grande)         |
| <b>10</b> | Depósito para cubitos de hielo con pala para hielo | <b>23</b> | Patas roscadas  |

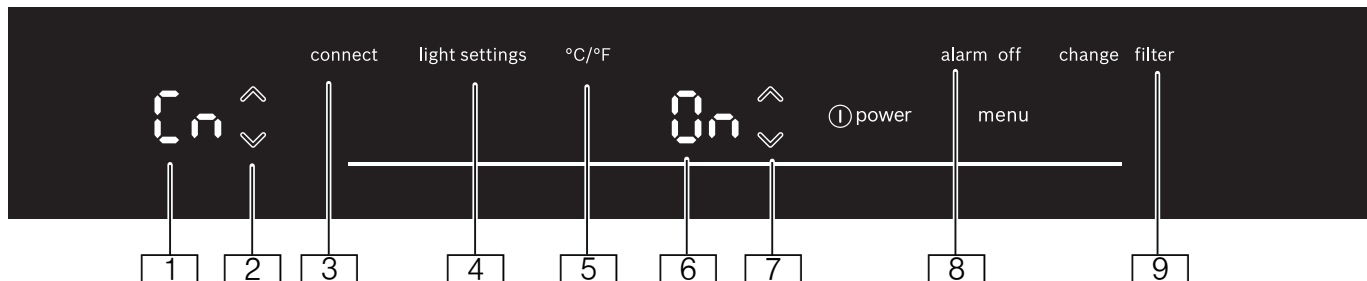
## Controles



- 1 Tecla **\* super** del compartimento refrigerador  
Enciende o apaga la función de superfrío.
- 2 Indicación de la temperatura del compartimento refrigerador.  
Muestra la temperatura programada en °C/°F.
- 3 Tecla del compartimento refrigerador  
Permite ajustar la temperatura del compartimento refrigerador.
- 4 Tecla **fresh**  
Activa y desactiva el modo fresco.
- 5 Tecla **eco**  
Activa y desactiva el modo de ahorro energético.
- 6 Tecla **vacation**  
Activa y desactiva el modo vacaciones.

- 7 Tecla **power**  
Conecta o desconecta el aparato.
- 8 Tecla **alarm off**  
Desactiva la alarma.
- 9 Tecla **menu**  
Abre el menú.
- 10 Tecla **change filter**  
Desactivar la alarma del cambio de filtro.
- 11 Tecla **\* super** del congelador  
Enciende o apaga la función de supercongelación.
- 12 Indicación de la temperatura del congelador  
Muestra la temperatura programada en °C/°F.
- 13 Tecla del congelador  
Permite ajustar la temperatura del congelador.

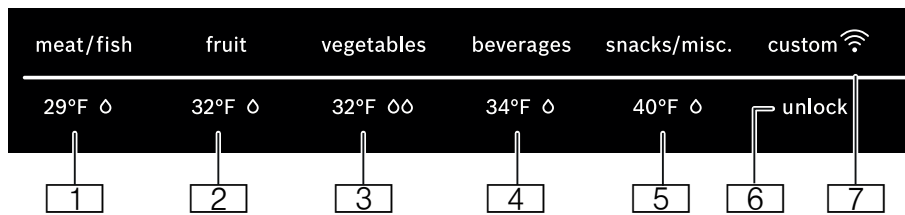
## Controles del submenú



- 1 Indicador del submenú  
Muestra el sumenú ajustado.
- 2 Tecla del submenú  
Sirve para navegar por el submenú.
- 3 Tecla **connect**  
Abre el menú Home Connect.
- 4 Tecla **light settings**  
Abre el menú de la iluminación.
- 5 Tecla **°C/°F**  
Abre el menú de la unidad de temperatura.
- 6 Indicador de ajustes  
Muestra los ajustes del submenú.

- 7 Tecla de ajustes   
Modifica los ajustes del submenú.
- 8 Tecla **alarm off**  
Abre el menú de la alarma.
- 9 Tecla **change filter**  
Abre el menú del filtro.

## Elementos de mando del compartimento fresco



- 1 Tecla **29°F ◊**  
Ajusta la temperatura en el compartimento fresco a 29 °F (-2 °C) y una baja humedad del aire.
- 2 Tecla **32°F ◊**  
Ajusta la temperatura en el compartimento fresco a 32 °F (0 °C) y una baja humedad del aire.
- 3 Tecla **32°F ◊◊**  
Ajusta la temperatura en el compartimento fresco a 32 °F (0 °C) y a una alta humedad del aire.
- 4 Tecla **34°F ◊**  
Ajusta la temperatura en el compartimento fresco a 34 °F (1 °C) y una baja humedad del aire.

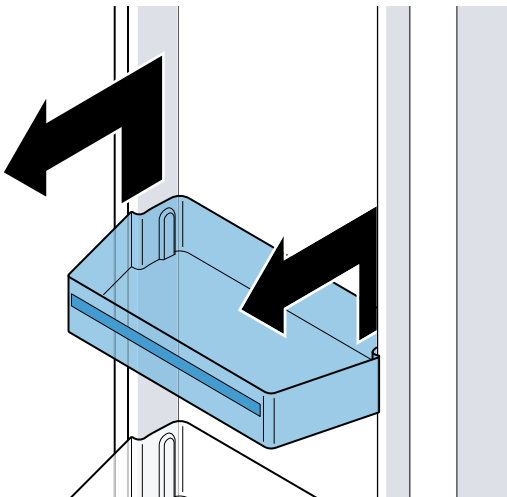
- 5 Tecla **40°F ◊**  
Ajusta la temperatura en el compartimento fresco a 40 °F (4 °C) y una baja humedad del aire.
- 6 Tecla **unlock** del compartimento fresco  
Desbloquea los controles del compartimento fresco.
- 7 Barra de luz **custom**   
Se ilumina cuando se han ajustado los ajustes definidos por el usuario mediante la aplicación Home Connect. Para más información, consulte la aplicación Home Connect.

## Equipamiento

### Estantes

Puede retirar el estante:

- Levantar el estante y sacarlo.



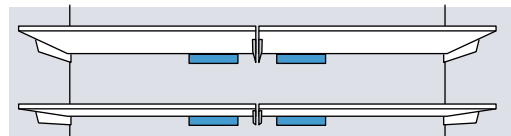
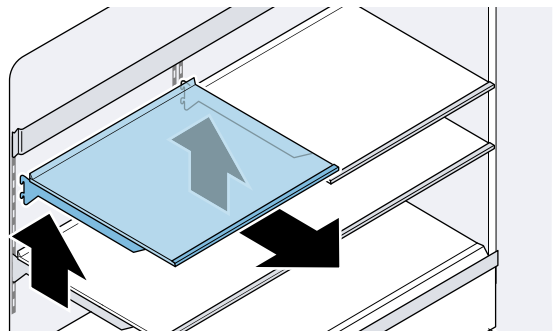
### Bandeja

Puede sacar y variar la bandeja:

- Levantar la bandeja y sacarla.

### Notas

- No tape las rejillas de ventilación.
- Coloque la bandeja con cuidado, para no rayar el aparato.
- Asegúrese de que los ganchos se hayan insertado completamente y que la bandeja esté en posición horizontal.

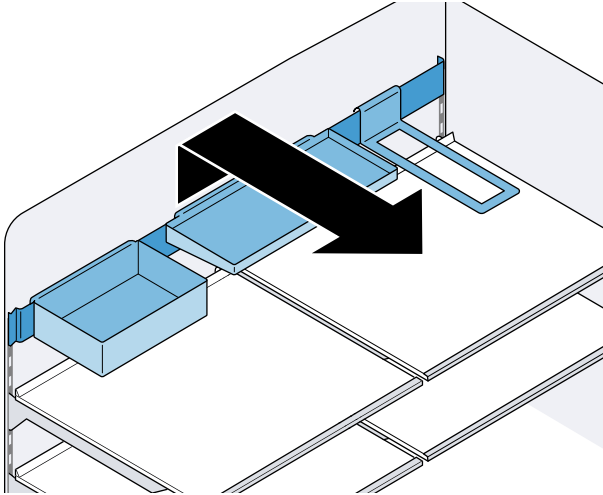


### Barra de equipamiento

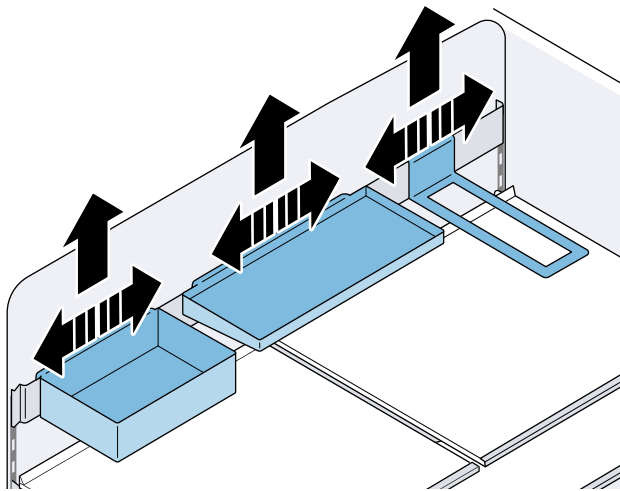
La barra de equipamiento se puede sacar y variar:

1. Levantar la barra de equipamiento y sacarla.
2. Al colocarla, insertar los ganchos en la parte posterior de la barra de equipamiento a la misma altura, de modo que la barra de equipamiento quede recta.

**Nota:** Coloque la barra de equipamiento con cuidado, para no rayar el aparato.



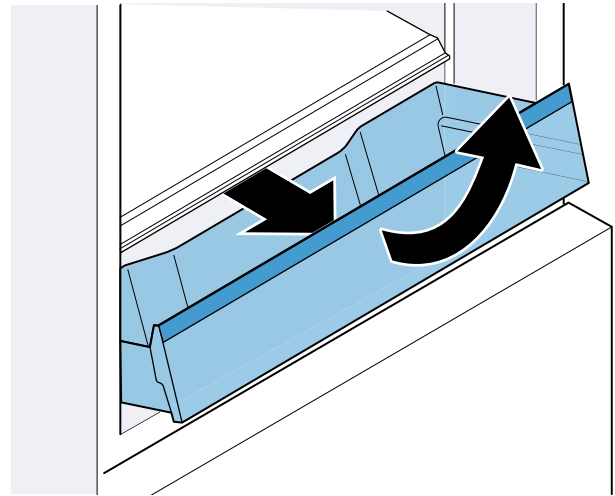
**Nota:** Puede retirar el contenedor (colgante), la bandeja (colgante) y el soporte para botellas (colgante) y moverlo hacia los lados.



### Contenedor extraíble

Se puede retirar el contenedor para verduras:

- Extraer el contenedor hasta el tope, levantarlo por la parte frontal y retirarlo del aparato.



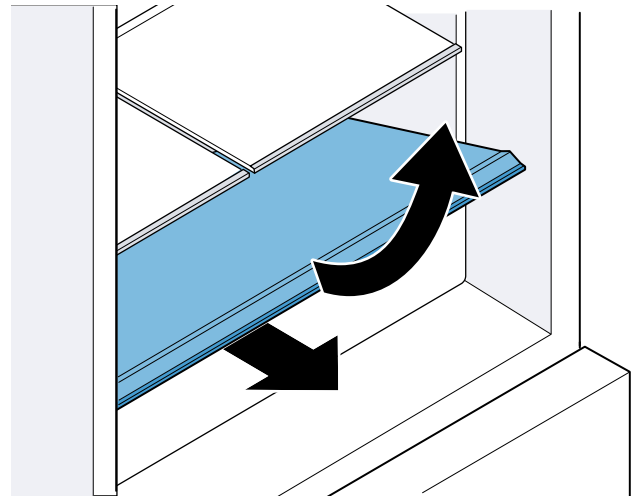
Para colocar el recipiente:

- Extraiga completamente los carriles telescópicos
- Coloque el recipiente en los carriles telescópicos y empújelo en el aparato hasta que encastre.

### Bandeja fija

Puede extraer la bandeja completamente:

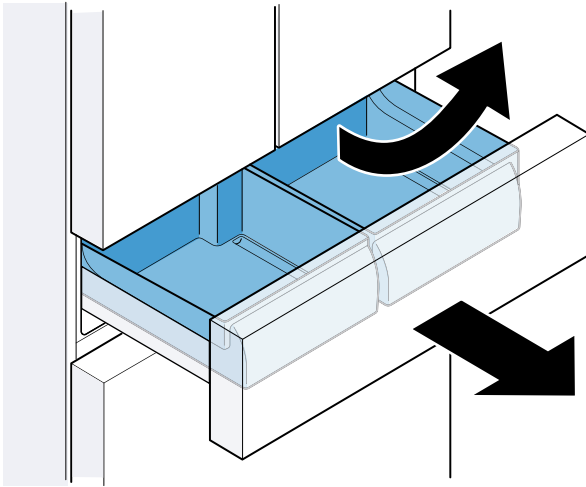
- Abrir el contenedor, levantar la bandeja por la parte frontal y extraerla.



### Cajón fresco

Puede retirar el contenedor para verduras:

1. Desplazar el cajón hasta el tope.
2. Levantar el contenedor por la parte frontal y extraerlo.

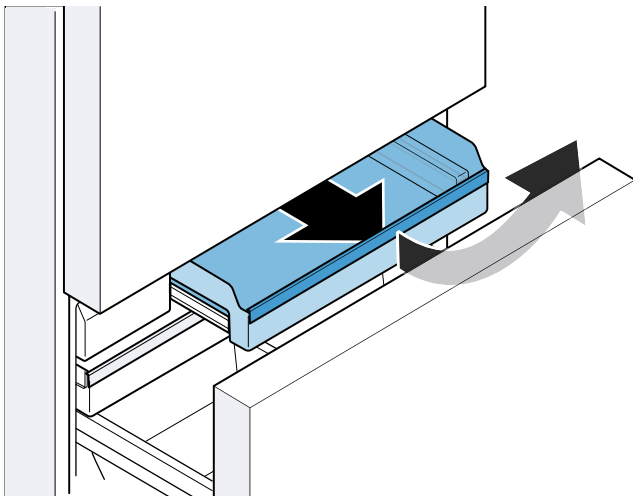


**Nota:** Al colocarlo, el carril de guía del contenedor tiene que coincidir con el del cajón.

### Recipiente para productos congelados (pequeño)

Se puede retirar el contenedor para verduras:

- Extraer el contenedor hasta el tope, levantarlo por la parte frontal y retirarlo del aparato.



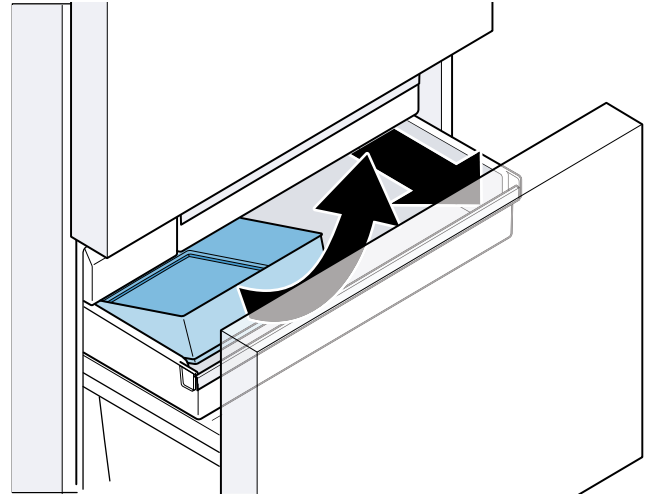
Para colocar el recipiente:

- Extraiga completamente los carriles telescópicos.
- Coloque el recipiente en los carriles telescópicos y empujelo en el aparato hasta que encastre.

### Depósito para cubitos de hielo

Puede retirar el depósito para cubitos de hielo:

- Desplazar hasta el tope el recipiente para productos congelados (plano) y retirar el depósito para cubitos de hielo.



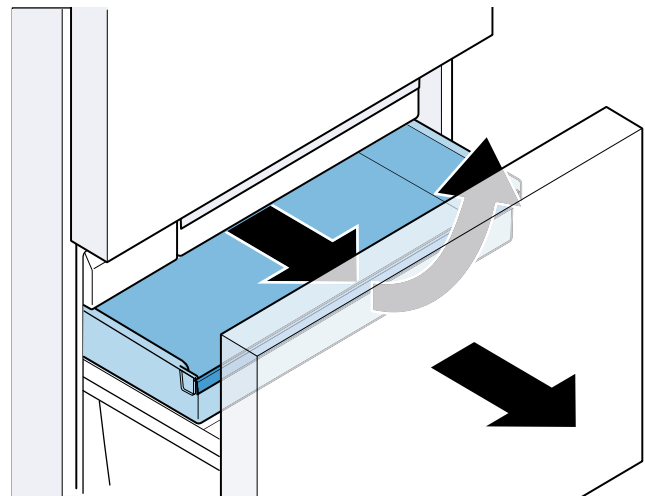
### Notas

- Para retirar los cubitos de hielo del depósito, utilice la pala para hielo.
- Para que la producción de cubitos de hielo no se detenga anticipadamente, no guarde la pala para hielo en el depósito.

### Recipiente para productos congelados (plano)

Puede extraer el recipiente para productos congelados (plano):

1. Desplazar el cajón del congelador hasta el tope.
2. Desplazar el recipiente para productos congelados (plano), levantarlo y extraerlo.



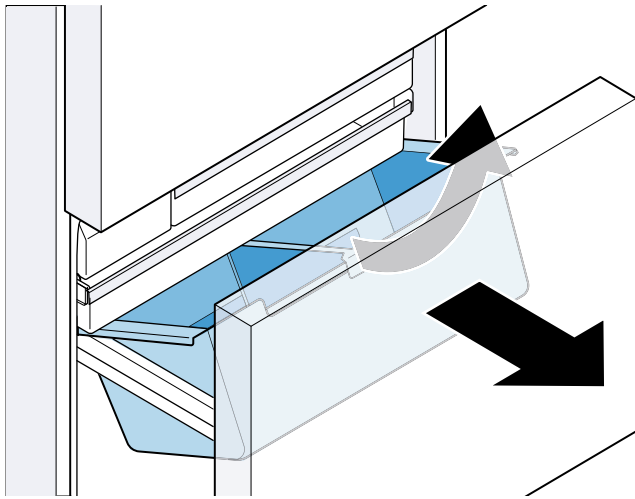
## Recipiente para productos congelados (grande)

### ⚠ ATENCION

Para evitar daños en el equipamiento, nunca retire la placa separadora del recipiente para productos congelados (grande).

Puede retirar el recipiente para productos congelados (grande):

1. Desplazar el cajón del congelador hasta el tope y retirar el recipiente para productos congelados (plano).
2. Levantar y retirar el recipiente para productos congelados (grande).



### Filtro de agua

**Nota:** Después de insertar un nuevo filtro de agua, por motivos de higiene, desechar la producción de cubitos de hielo de las primeras 24 horas o dejar correr el agua durante 5 minutos.

El filtro de agua suministrado solo filtra partículas del agua y el sabor a cloro, pero no bacterias ni microbios:

- Reemplazar el filtro de agua cada 6 meses o cuantas veces sea necesario.

Si usa un sistema externo de filtro de agua, puede utilizar el aparato también sin un filtro de agua interno. Para ello cambie el filtro de agua por un filtro con bypass:

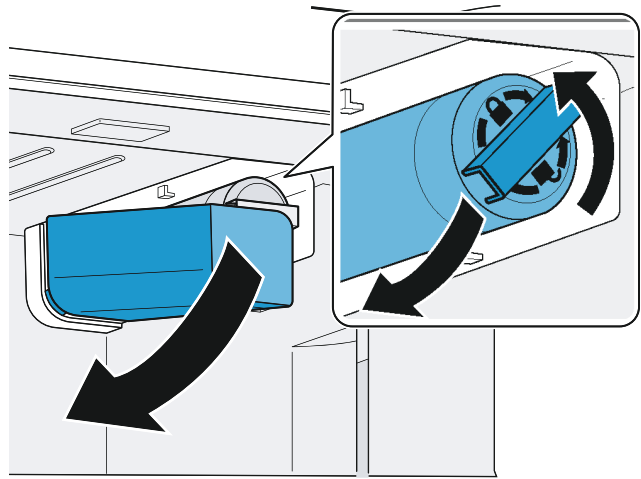
- El filtro con bypass filtra partículas gruesas del agua potable y se puede limpiar en caso sea necesario.
- El filtro con bypass puede quedarse permanentemente en el aparato sin necesidad de cambiarse.
- Apague cada 6 meses la alarma de cambio de filtro.  
→ "Alarma de cambio de filtro" en la página 89

Puede obtener un nuevo filtro de agua o un de filtro con bypass a través del Servicio de atención al cliente o de un distribuidor.

Cambiar el filtro de agua o sustituirlo por un filtro con bypass:

### Notas

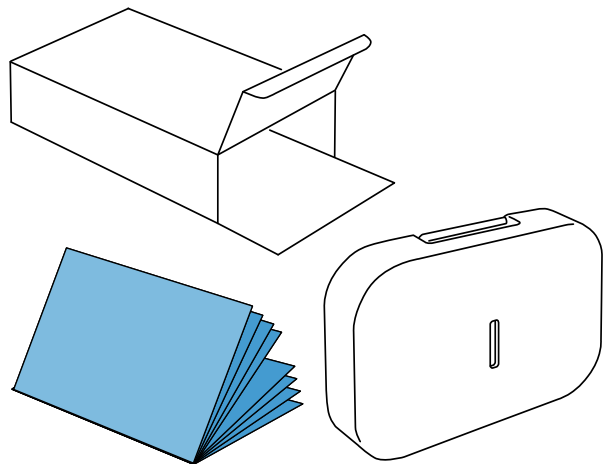
- Al cambiarlo gotea un poco de agua del filtro. Secar las gotas de agua con un paño suave.
  - Puede desechar el filtro usado con la basura del hogar.
1. Agarrar en la parte posterior de la ranura de la cubierta del filtro, desplazarla suavemente hacia adelante y moverla hacia abajo a la izquierda.
  2. Girar el filtro unos 90° en sentido contrario de las manecillas del reloj y retirarlo.
  3. Empujar el nuevo filtro en la apertura del filtro hasta el tope y girarlo unos 90° en sentido de las manecillas del reloj hasta el tope.
  4. Mover nuevamente la cubierta del filtro hacia arriba a la derecha y empujar hacia atrás hasta el tope.



### Absorbente de etileno

Fijar el absorbente de etileno en el cajón fresco.

**Nota:** Hallará más información sobre el montaje y la utilización en las instrucciones de montaje y de uso del absorbente de etileno.





# Manejo del electrodoméstico

## Encender el aparato

1. Pulsar la tecla **power**.  
El aparato comienza a enfriar. La alarma acústica, la indicación de temperatura parpadeante del congelador y la iluminación de la tecla **alarm off** indican que la temperatura en el interior del congelador todavía es demasiado elevada.
2. Pulsar la tecla **alarm off**.  
La alarma acústica se desactiva.
3. Ajustar la temperatura deseada.

## Advertencias relativas al funcionamiento del aparato

- Después de encenderlo, el aparato puede necesitar varias horas hasta alcanzar las temperaturas ajustadas. No introducir alimentos en el aparato antes de alcanzar las temperaturas seleccionadas.
- Gracias al sistema automático NoFrost, el aparato permanece libre de heladas. No es necesario descongelarlo.
- Los lados frontales del compartimento se calientan en parte ligeramente. Esto evita la condensación en la zona de la junta de la puerta.

## Apagar y cerrar el aparato

### Apagar el aparato

- Pulsar la tecla **power**.  
El aparato deja de enfriar.

### Desconectar el aparato

Cuando no utilice el aparato por un período prolongado:

1. Interrumpir el suministro de agua al aparato.
2. Sacar los alimentos.
3. Pulsar la tecla **power**.
4. Desenchufar el aparato o apagar el fusible.  
El aparato deja de enfriar.
5. Retirar el filtro de agua, vaciar el depósito de los cubitos de hielo y limpiar el aparato.
6. Dejar las puertas y cajones del aparato abiertos.

## Ajustar de la unidad de temperatura

Puede elegir entre las unidades °C y °F:

1. Pulsar la tecla **menu**.
2. Pulsar la tecla **°C/°F**.
3. Pulsar la tecla de ajustes repetidas veces hasta que el indicador de ajustes muestre **°C** o **°F**.
4. Pulsar la tecla **menu**.  
El ajuste se guarda.

## Ajustar la temperatura

### Temperatura recomendada

Compartimento refrigerador:	37 °F (3 °C)
Compartimento fresco	32 °F (0 °C)
Congelador:	0 °F (-18 °C)

### Compartimento refrigerador

- Pulsar la tecla repetidas veces hasta que la indicación muestre la temperatura deseada.

### Congelador

- Pulsar la tecla repetidas veces hasta que la indicación muestre la temperatura deseada.

## Ajustar el compartimento fresco

La temperatura y la humedad del aire del compartimento fresco se pueden seleccionar mediante ajustes de almacenamiento predefinidos:

1. Abrir el cajón del compartimento fresco.
2. Pulsar cualquier tecla de los elementos de mando del compartimento fresco.
3. Pulsar la tecla **unlock** del compartimento fresco hasta y mantenerla pulsada hasta que la barra de luz esté iluminada por completo.
4. Pulsar la tecla del ajuste de almacenamiento deseado.
5. Cerrar el cajón del compartimento fresco.  
El ajuste se guarda.

## Super frío

Mediante esta función se enfría el compartimento refrigerador hasta alcanzar la temperatura más baja posible.

Conectar la función de super frío, p. ej.:

- Antes de introducir grandes cantidades de alimentos.
- Para enfriar bebidas rápidamente.

**Nota:** Si está activada la función de super frío, el nivel sonoro del aparato puede aumentar.

Después de aproximadamente 6 horas, el aparato vuelve a funcionamiento normal.

Activar/desactivar la función de superfrío:

- Pulsar la tecla **\* super** del compartimento refrigerador.  
La tecla se ilumina cuando está activada la función de superfrío.

## Supercongelación

Durante la supercongelación el congelador enfría el compartimento a la temperatura ajustada más baja.

Activar la función de supercongelación, p. ej.:

- para congelar los alimentos rápidamente hasta el núcleo
- 1 ... 2 horas antes de introducir alimentos frescos a partir de una cantidad superior a 4,5 lb (2 kg)
- para aumentar la producción de cubitos de hielo

**Nota:** Si la función de supercongelación está activada, puede haber aumento de ruido.

Después de 8 horas el aparato vuelve automáticamente al funcionamiento normal.

Activar/desactivar la función de supercongelación:

- Pulsar la tecla **\*super**.  
La tecla se ilumina cuando está activada la función de supercongelación.

## Modo de ahorro energético

Con el modo de ahorro de energía el aparato pasa al funcionamiento de ahorro de energía.

El aparato ajusta automáticamente las siguientes temperaturas:

- Compartimento refrigerador: 43 °F (6 °C)
- Compartimento fresco: +32 °F (0 °C)
- Congelador: 6 °F (-14 °C)

Activar o desactivar el modo de ahorro de energía:

- Pulsar la tecla **eco**.  
La temperatura se cambia, el display muestra la nueva temperatura. Al apagar el modo de ahorro de energía, se ajusta la temperatura que se mostró la última vez.

## Modo fresco

Con el modo fresco los alimentos se pueden conservar durante más tiempo.

El aparato ajusta automáticamente las siguientes temperaturas:

- Compartimento refrigerador: 36 °F (2 °C)
- Compartimento fresco: +32 °F (0 °C)

La temperatura en el congelador permanece invariable.

Activar o desactivar el modo fresco:

- Pulsar la tecla **fresh**.  
La temperatura se cambia, el display muestra la nueva temperatura. Al desactivar el modo fresco se ajustará la temperatura recomendada.

## Modo vacaciones

En caso de ausentarse del hogar durante un período prolongado, puede conmutar el modo de funcionamiento de su aparato a la modalidad de funcionamiento vacaciones con reducido consumo energético.

El aparato ajusta automáticamente las siguientes temperaturas:

- Compartimento refrigerador: 43 °F (6 °C)
- Compartimento fresco: +40 °F (4 °C)

La temperatura en el congelador permanece invariable.

Activar el modo vacaciones:

- Pulsar la tecla **vacation**.  
La temperatura se cambia, el display muestra la nueva temperatura.

Desactivar el modo vacaciones:

- Pulsar la tecla **vacation**.  
Se establece la última temperatura mostrada. Por motivos de higiene, dispensar el agua durante 5 minutos y desecharla.

## Modo Sabbat

Con este modo se desconectan todas las funciones que no son necesarias para que también pueda usar el aparato en Sabbat.

El aparato detiene lo siguiente:

- Superfrío y supercongelación
- Señales acústicas
- Iluminación interior
- Mensajes del panel
- Dispensador de agua
- Máquina de hielo

**Nota:** Durante el modo sabbat se reduce la luz de fondo de los paneles.

Activar el modo sabbat:

- Pulsar la tecla **vacation** 10 segundos y mantenerla pulsada hasta que suene una señal acústica.  
Cuando el modo sabbat está encendido, se ilumina la indicación **alarm off**.

Apagar el modo sabbat:

- Pulsar el indicador **alarm off** 5 segundos y mantenerlo pulsado hasta que suene una señal acústica.

**Nota:** Después de aproximadamente 72 horas, el aparato vuelve automáticamente al funcionamiento normal.



## Ajustar la iluminación


Puede ajustar los niveles de brillo de la iluminación interior de **0** ...hasta **5**:

### Nota:

**0** = iluminación apagada

**1** = brillo mínimo

**5** = brillo máximo

1. Pulsar la tecla **menu**.
2. Pulsar la tecla **light settings**.  
El indicador del submenú muestra **In**.
3. Pulsar la tecla de ajustes  hasta que en la indicación de ajustes se muestre el nivel de brillo deseado.
4. Pulsar la tecla **menu**.  
El ajuste se guarda.

## Alarma de cambio de filtro

Cada 6 meses se enciende la alarma del cambio de filtro, la tecla **change filter** parpadea.

Apagar la alarma de cambio de filtro:

1. Cambiar el filtro de agua o sustituirlo por un filtro con bypass.  
→ *"Filtro de agua" en la página 86*
2. Pulsar la tecla **change filter** y mantenerla pulsada durante 3 segundos.  
La alarma del cambio de filtro se apaga, la tecla **change filter** se apaga. El reloj temporizador del filtro de agua se restablece automáticamente.

Si el filtro de agua se ha reemplazado antes de los 6 meses, restablezca manualmente el contador del filtro de agua:

### Nota:

**1** = contador filtro de agua funciona

**0** = restablecer reloj temporizador del filtro de agua

1. Pulsar la tecla **menu**.
2. Pulsar la tecla **change filter**.
3. Pulsar la tecla de ajustes  hasta que en la indicación de ajustes se muestre **0**.
4. Pulsar la tecla **menu**.  
El ajuste se guarda.



## Alarma

### Alarma de la puerta

Si la puerta del aparato permanece abierta durante más tiempo, se enciende la alarma acústica y la tecla **alarm off** parpadea.

Apagar la alarma de la puerta:

- Cerrar la puerta o pulsar la tecla **alarm off**.  
La alarma acústica se desactiva, la tecla **alarm off** ya no parpadea.

La alarma alarma acústica de la puerta se puede activar o desactivar:

### Nota:

**On** = activar la alarma acústica de la puerta

**OF** = desactivar la alarma acústica de la puerta

1. Pulsar la tecla **menu**.
2. Pulsar la tecla **alarm off**.
3. Pulsar la tecla de ajustes  hasta que el indicador de ajustes muestre **On** o **OF**.
4. Pulsar la tecla **menu**.  
El ajuste se guarda.

## Alarma de temperatura

La alarma acústica se activa y la tecla **alarm off** parpadea cuando la temperatura en el interior del congelador es demasiado elevada.



### ATENCIÓN

DURANTE LA DESCONGELACIÓN DE LOS ALIMENTOS PUEDEN APARECER BACTERIAS QUE PUEDEN ECHAR A PERDER LOS ALIMENTOS.

No volver a congelar los alimentos que se hayan descongelado o empezado a descongelar.

Solo después de cocinarlos o freírlos, se podrán volver a congelar. El período máximo de almacenamiento ya no se podrá agotar.

**Nota:** La alarma de temperatura puede activarse en las siguientes ocasiones, sin que ello represente algún peligro de deterioro inmediato de los alimentos:

- El aparato se pone en funcionamiento.
- El congelador estuvo abierto por mucho tiempo.
- Se colocaron grandes cantidades de alimentos frescos en el interior.

Apagar la alarma de temperatura:

1. Asegurarse de que se ha corregido la causa para la alarma de temperatura.
2. Pulsar la tecla **alarm off**.  
La alarma acústica se apaga y el indicador de temperatura del congelador muestra brevemente la temperatura más elevada registrada en el congelador. A continuación, la pantalla muestra de nuevo la temperatura ajustada. La temperatura más elevada se vuelve a determinar y guardar.

**Nota:** La tecla **alarm off** permanece iluminada hasta que se ha alcanzado de nuevo la temperatura ajustada.

## Home Connect

Este aparato funciona con Wi-Fi y puede controlarse de forma remota a través de un dispositivo móvil.

**Nota:** Wi-Fi es una marca registrada de Wi-Fi Alliance.

El aparato funciona, en los siguientes casos, como un aparato para refrigeración sin conexión a la red doméstica y se puede seguir manejando manualmente a través de los mandos:

- El aparato no está conectado a una red doméstica.
- El servicio Home Connect no se ofrece en el país en el que está instalado el aparato. Encontrará una lista de los países en los que se ofrece Home Connect en [www.home-connect.com](http://www.home-connect.com).

**Nota:** Tenga en cuenta las indicaciones de seguridad de este manual. Asegúrese de respetarlas también cuando utiliza el aparato mediante la aplicación Home Connect desde fuera de casa.

→ "Indicaciones de seguridad importantes" en la página 69

Tenga en cuenta también las instrucciones de la aplicación Home Connect.

### Configurar Home Connect

#### Notas

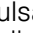
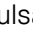
- Tenga en cuenta la hoja adjunta de Home Connect que está disponible para su descarga en <http://www.bosch-home.com> en la sección de las instrucciones. Para ello, introduzca en el cuadro de búsqueda el número de producto (E-Nr.) de su aparato.
- Después de encender el aparato, esperar al menos dos minutos, hasta que concluya la inicialización interna del mismo. Configurar Home Connect una vez concluida.
- Para poder establecer los ajustes a través de Home Connect, la aplicación Home Connect debe estar instalada en su dispositivo móvil. Para ello, tener en cuenta la documentación adjunta de Home Connect.

Siga los pasos indicados en la aplicación para establecer los ajustes.

- Si el aparato no se utiliza durante un tiempo prolongado, el menú Home Connect se cierra automáticamente. Las indicaciones para abrir el menú Home Connect se encuentran al principio de los capítulos correspondientes.

### Conexión automática a la red doméstica WLAN (Wi-Fi)

Si dispone de un router con la función WPS, el refrigerador puede conectarse automáticamente con la red doméstica.

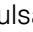

1. Pulsar la tecla **menu**.  
La tecla **connect** se ilumina. El indicador del submenú muestra **Cn**.
2. Pulsar la tecla  del submenú hasta que el indicador del submenú muestre **AC** y el indicador de ajustes muestre **OF**.
3. Pulsar la tecla de ajustes .  
El aparato está listo para la conexión automática. El indicador de ajustes muestra una animación durante 2 minutos.  
Mientras se visualiza la animación, el aparato está listo para la conexión automática.
4. En esos 2 minutos active la función WPS en el router (p. ej., pulsando la tecla WPS, tener en cuenta la información de la documentación del router al respecto).  
Al conectarse con éxito, parpadeará **On** en el indicador de ajustes.  
El refrigerador está listo para conectarse a la aplicación.

**Nota:** Cuando el indicador de ajustes muestra **OF**, no se ha podido establecer una conexión.

1. Comprobar que el refrigerador se encuentre dentro del alcance de la red doméstica WLAN (Wi-Fi).
2. Repetir el proceso o realizar la conexión manual.

### Conexión manual a la red doméstica WLAN (Wi-Fi)

Si el router existente no dispone de una función WPS o se desconoce, puede conectar el refrigerador manualmente a la red doméstica WLAN (Wi-Fi).

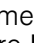

1. Pulsar la tecla **menu**.  
La tecla **connect** se ilumina. El indicador del submenú muestra **Cn**.
2. Pulsar la tecla  del submenú hasta que el indicador del submenú muestre **SA** y el indicador de ajustes muestre **OF**.
3. Pulsar la tecla de ajustes .  
El aparato está listo para la conexión manual. El indicador de ajustes muestra una animación. Mientras se visualiza la animación, el aparato está listo para la conexión manual.
4. El refrigerador ha creado ahora su propia red doméstica WLAN (Wi-Fi) con el nombre de red HomeConnect.  
Puede acceder a esta red con el dispositivo móvil.

5. Seguir las instrucciones de la aplicación hasta que el proceso haya finalizado.
  - Al conectarse con éxito, parpadeará **On** en el indicador de ajustes.  
El aparato se conecta automáticamente con la aplicación.
  - Si en el indicador de ajustes aparece **OF**, no se ha podido establecer una conexión.  
Comprobar que el refrigerador se encuentre dentro del alcance de la red doméstica WLAN (Wi-Fi).  
Repetir el proceso.

### Conectar el refrigerador con la aplicación Home Connect


Al realizar la configuración por primera vez, el aparato se conecta automáticamente con la aplicación después de que se haya establecido una conexión con la red doméstica WLAN (Wi-Fi).

Si el aparato no se conecta de forma automática con la aplicación, conectar el aparato de forma manual:

1. Pulsar la tecla **menu**.  
La tecla **connect** se ilumina. El indicador del submenú muestra **Cn**.
  2. Pulsar la tecla  del submenú hasta que el indicador del submenú muestre **PA** y el indicador de ajustes muestre **OF**.
  3. Pulsar la tecla de ajustes  para conectar el aparato con la aplicación.  
El indicador de ajustes muestra una animación. En cuanto el refrigerador y la aplicación estén conectados, el indicador de ajustes muestra **On**.
  4. Abrir la aplicación y esperar hasta que se muestre el refrigerador.  
Con **Añadir** confirmar la conexión entre la aplicación y el refrigerador.  
Si el refrigerador no se muestra automáticamente, hacer clic en la aplicación en **Añadir aparato** y seguir las instrucciones. En cuanto se muestre el refrigerador, añadirlo con **+**.
  5. Seguir las instrucciones de la aplicación hasta que el proceso haya finalizado.  
El indicador del submenú muestra **PA** y el de ajustes **On**.  
El refrigerador se ha conectado con la aplicación. Si la conexión falla, comprobar si el dispositivo móvil está conectado con la red doméstica WLAN (Wi-Fi).  
A continuación intentar nuevamente establecer la comunicación.  
Cuando en el indicador de ajustes aparezca **Er**, restablecer los ajustes de Home Connect.
- Nota:** Al restablecer la configuración se restablecen todos los ajustes de Home Connect.

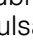

### Comprobar la intensidad de la señal

Debe comprobar la intensidad de la señal cuando no funcione el establecimiento de la conexión.

1. Pulsar la tecla **menu**.  
La tecla **connect** se ilumina. El indicador del submenú muestra **Cn**.
2. Pulsar repetidamente la tecla  del submenú hasta que el indicador del submenú muestre **SI**. En el indicador de ajustes aparece un valor entre 0 (no hay recepción) y 3 (recepción completa).  
El valor de intensidad de la señal debería ser 2 como mínimo. Si la intensidad de la señal es demasiado baja, puede interrumpirse la conexión.
  - Coloque el router y el refrigerador más cerca uno de otro.
  - Asegúrese de que la conexión no está interrumpida por paredes de apantallamiento.
  - O bien instale un repetidor para intensificar la señal.

### Restablecer los ajustes de Home Connect

Si al intentar establecer la conexión se produce un problema o si desea registrar el aparato en otra red doméstica WLAN (Wi-Fi), los ajustes de Home Connect pueden restablecerse:

1. Pulsar la tecla **menu**.  
La tecla **connect** se ilumina. El indicador del submenú muestra **Cn**.
2. Pulsar la tecla  del submenú hasta que el indicador del submenú muestre **rE** y el indicador de ajustes muestre **OF**.
3. Pulsar la tecla de ajustes .  
El indicador de ajustes muestra una animación durante 15 segundos.  
A continuación, la indicación de ajustes muestra **OF**.  
Se han restablecido los ajustes de Home Connect.

## Instalar la actualización de software de Home Connect

El refrigerador comprueba en intervalos regulares si existen actualizaciones para el software de Home Connect.

Si está disponible una actualización, el indicador del submenú muestra **UP**:

- Confirme la actualización en la aplicación Home Connect.  
No apagar el refrigerador durante la actualización.  
El indicador de ajustes muestra una animación. La actualización se está instalando.

**Nota:** Durante la instalación todas las teclas están bloqueadas.

- Una vez finalizada correctamente la instalación, el indicador de ajustes muestra **On**.
- Si la instalación no ha finalizado correctamente, el indicador de ajustes muestra **Er**.  
Volver a iniciar la actualización posteriormente.  
Si la instalación no se ha podido completar después de muchos intentos, notificar al Servicio de atención al cliente.

Pulsando cualquier tecla, la indicación se restablece a la temperatura establecida.

## Indicaciones sobre protección de datos

Al conectar por primera vez su aparato Home Connect a una red doméstica asociada a internet WLAN (Wi-Fi), el aparato transmite las siguientes categorías de datos al servidor Home Connect (registro inicial):

- Identificación unívoca del aparato (compuesta por la clave del aparato y la dirección MAC del módulo de comunicación Wi-Fi utilizado).
- Certificado de seguridad del módulo de comunicación Wi-Fi (para la protección técnica de la información de la conexión).
- Las versiones actuales del software y hardware del electrodoméstico.
- El estado de un posible restablecimiento previo a los ajustes de fábrica.

El registro inicial prepara la utilización de las funciones Home Connect y solo es necesario la primera vez que se vayan a utilizar las funciones Home Connect.

**Nota:** Tenga en cuenta que las funciones Home Connect solo se pueden utilizar en conexión con la aplicación Home Connect. Se puede consultar la información relativa a la protección de datos en la aplicación Home Connect.

## Compartimento refrigerador

El compartimento refrigerador es el lugar ideal para guardar carne, embutido, pescado, productos lácteos, huevos y platos cocinados, así como productos de panadería.

La temperatura se puede ajustar desde 33 °F (1 °C) ... hasta 43 °F (6 °C).

Con la conservación en frío también puede conservar a corto y medio plazo alimentos perecederos. Una temperatura de +39 °F (+4 °C) o más baja es óptima para la frescura e higiene de los alimentos guardados.

## Puntos a observar al guardar los alimentos

- Guarde alimentos frescos y en perfectas condiciones.  
De este modo conservarán su calidad y frescura durante más tiempo.
- En el caso de productos precocinados o alimentos envasados, deberán observarse las fechas de caducidad o de consumo señaladas por el fabricante.
- Para conservar el aroma, color y frescura, guarde los alimentos bien envueltos o cubiertos.  
De esta manera se evita la mezcla de olores y sabores, así como la descoloración de las piezas de plástico.
- Dejar enfriar los alimentos o bebidas calientes hasta una temperatura ambiente antes de introducirlos en el compartimento refrigerador.

## Compartimento fresco

Gracias al compartimento fresco, los alimentos frescos se pueden guardar hasta tres veces más tiempo que en el compartimento refrigerador, conservando así durante más tiempo su frescura y valores nutritivos, así como su invariable buen sabor.

Se pueden seleccionar los ajustes de almacenamiento predefinidos directamente mediante los elementos de mando del compartimento fresco o bien adaptar la humedad y la temperatura de 29 °F (-2 °C) ... 40 °F (4 °C) a través de la aplicación Home Connect.

### Cajón fresco

Las condiciones de almacenamiento reinantes en el contenedor fresco son ideales para guardar pescado, carne y embutido, así como frutas y verduras.

#### Notas

- Para que la tapa del cajón fresco no se desenganche, guardar los alimentos con una altura máxima que quede por debajo del borde del cajón.
- Nunca guarde frutas y verduras con carnes o pescados en el cajón fresco.
- Las frutas (p. ej., piñas, plátanos, papayas y cítricos) y las verduras (p. ej., berenjenas, pepinos, calabacines, pimientos, tomates y patatas) sensibles al frío debe guardarlas fuera del refrigerador a una temperatura de aprox. 46 °F (8 °C) ... hasta 54 °F (12 °C).
- Dependiendo de la cantidad y el tipo de alimento guardado puede formarse agua de condensación en el cajón fresco. Eliminar el agua de condensación con un paño seco y adaptar el grado de humedad del aire en el cajón fresco mediante los controles del compartimento refrigerador.

### Recomendaciones de almacenamiento

Ajustar los ajustes de almacenamiento predefinidos dependiendo de la cantidad y el tipo de alimentos almacenados.

#### Nota:

△ = bajo grado de humedad

△△ = alto grado de humedad

Carne, pescado y mariscos	Tecla <b>29°F</b> △
Verduras, almacenamiento mixto de fruta y verdura, embutidos, quesos y productos lácteos	Tecla <b>32°F</b> △
Verduras	Tecla <b>32°F</b> △△
Bebidas	Tecla <b>34°F</b> △
Botanas/otros	Tecla <b>40°F</b> △

## Congelador

El congelador es adecuado para:

- El almacenamiento de alimentos congelados
- La producción de cubitos de hielo
- Congelar alimentos

La temperatura se puede ajustar desde 6 °F (-14 °C) ... hasta -7 °F (-22 °C).

Mediante el almacenamiento en congelación, puede conservar los alimentos perecederos durante largo tiempo sin que sufran prácticamente pérdidas en su calidad, debido a que las bajas temperaturas ralentizan fuertemente o incluso detienen los procesos de deterioro. La apariencia, el aroma y todos los ingredientes valiosos se conservan, en su mayor parte.

El intervalo de tiempo entre el almacenamiento de los alimentos frescos y la congelación total depende de los siguientes factores:

- temperatura ajustada
- tipo de alimento
- Cantidad de alimentos guardados en el congelador
- Cantidad y tipo del almacenamiento

## Dispensador de agua

Con el dispensador de agua puede dispensar agua fría.

**Nota:** El dispensador de agua solo funciona cuando el aparato está conectado a una línea de agua potable y se ha insertado un filtro.

### Antes del primer uso

- Tras conectar el aparato o insertar un nuevo filtro de agua, hay aire en el circuito de agua. Dejar correr el agua hasta que ya no quede ninguna burbuja de aire. Secar con un paño suave las salpicaduras de agua.
- Por motivos de higiene, dejar correr el agua durante 5 minutos y desecharla.

### Tener en cuenta la calidad del agua potable

Todos los materiales empleados en la fabricación del dispensador de agua son inodoros y neutrales al gusto.

Si el agua presenta un sabor, esto puede deberse a las siguientes causas:

- Contenido de minerales y cloro del agua potable
- Material de la tubería de agua hacia el aparato
- Calidad del agua potable

### Notas

- Si no se dispensa agua durante un tiempo prolongado, esta puede saber a agua estancada. Dispensar el agua durante 5 minutos y desechar.
- La mejor calidad del agua se obtiene dispensando un poco de agua con regularidad.

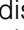
## Dispensar agua

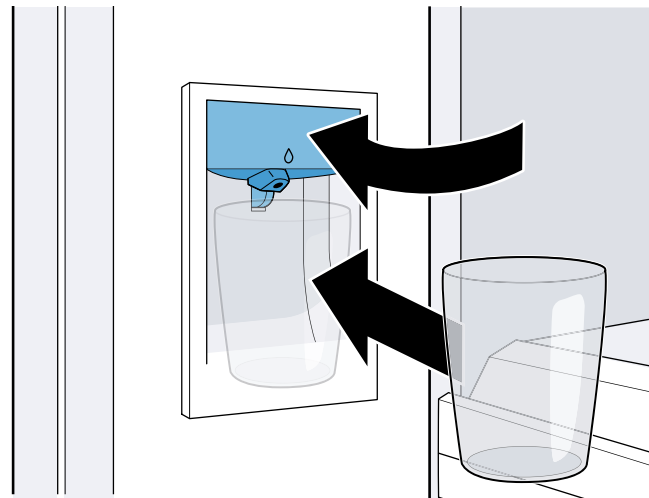
### ATENCION

Para evitar daños por agua en el suelo o en el aparato, no dispense nunca agua sin que haya un vaso debajo.

### Notas

- Para evitar los daños por agua, la función se detiene automáticamente después de 30 segundos de salir agua. Espere 5 segundos para volver a dispensar agua.
- Puede dispensar agua hasta cinco veces consecutivamente, después la función se detiene automáticamente. Espere 2 minutos para volver a dispensar agua.
- La temperatura del agua dispensada es la adecuada para beber. Si desea una temperatura más baja del agua, añada cubitos de hielo al vaso.
- En caso de que se dispense grandes cantidades de agua, esta puede salir más caliente.

1. Mantener un vaso debajo del dispensador de agua.
2. Presionar el vaso hacia arriba contra la palanca dispensadora o presionar la tecla  hasta que obtenga la cantidad de agua deseada en el vaso.



## Máquina de hielo

La máquina de hielo produce cubitos de hielo.

**Nota:** La máquina de hielo solo funciona cuando el aparato está conectado a una línea de agua potable y se ha insertado un filtro.

### Antes del primer uso

- Encender la producción de cubitos de hielo. En cuanto el congelador haya alcanzado la temperatura ajustada, se habrá finalizado la primera producción de cubitos de hielo al cabo de aproximadamente 4 horas.
- Por motivos de higiene, desechar los cubitos de hielo que se hayan producido en las primeras 24 horas.

### Encender o apagar la producción de cubitos de hielo

#### **ADVERTENCIA**


¡RIESGO DE LESIONES!

Nunca agarre por debajo de la máquina de hielo.

#### **ATENCIÓN**

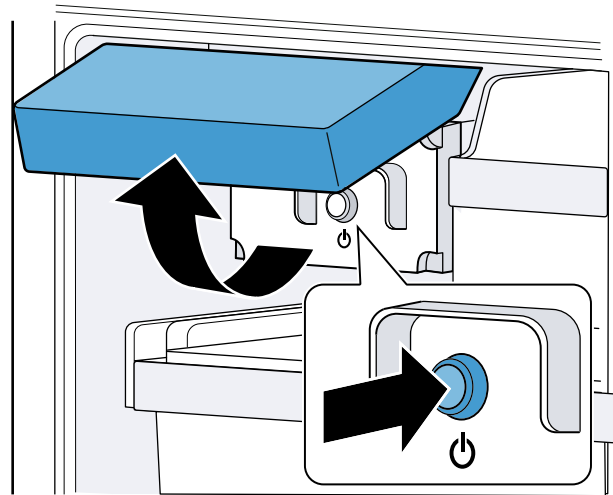
¡Daños en el aparato!

Nunca guarde botellas o alimentos en el depósito de cubitos de hielo cuando se haya activado la producción de cubitos de hielo. Debido a esto, se puede bloquear la máquina de hielo y dañarse.

1. Abrir el cajón del congelador hasta el tope.
2. Abrir hacia arriba la tapa del dispensador de cubitos de hielo.
3. Pulsar la tecla  del dispensador de cubitos de hielo. Si se ha activado la producción de cubitos de hielo, la tecla se ilumina.
4. Cerrar la tapa del dispensador de cubitos de hielo y del cajón del congelador.

### Notas

- Los cubitos de hielo listos se depositan automáticamente en el depósito.
- La producción de cubitos de hielo se detiene automáticamente cuando se ha alcanzado el nivel de llenado máximo del depósito de cubitos de hielo.
- Puede acelerar la producción de cubitos de hielo fijando una temperatura más baja para el congelador o activando la supercongelación. Esto aumenta ligeramente el consumo de energía.
- Si los cubitos de hielo saben desabridos, deseche los cubitos de hielo restantes y los que se produzcan en las próximas 24 horas. Si después de eso los cubitos de hielo siguen sabiendo desabridos, cambie el filtro del agua.



## Descongelación

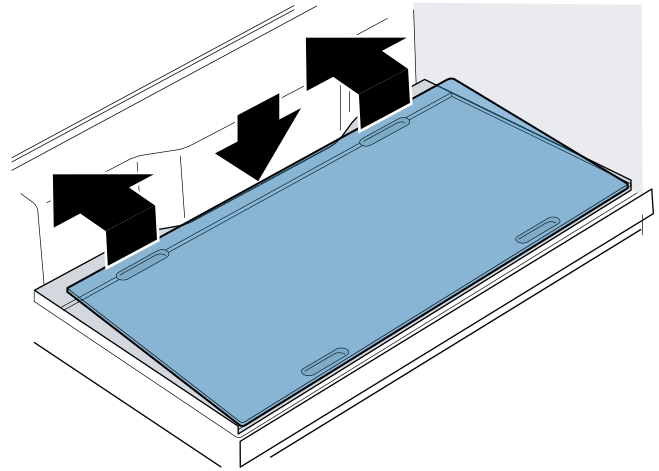
Debido al sistema completamente automático NoFrost, el aparato permanece libre de escarcha. No es necesario descongelarlo.

## Limpiar

### ATENCION


EVITAR DAÑOS AL APARATO Y PIEZAS DEL EQUIPAMIENTO.

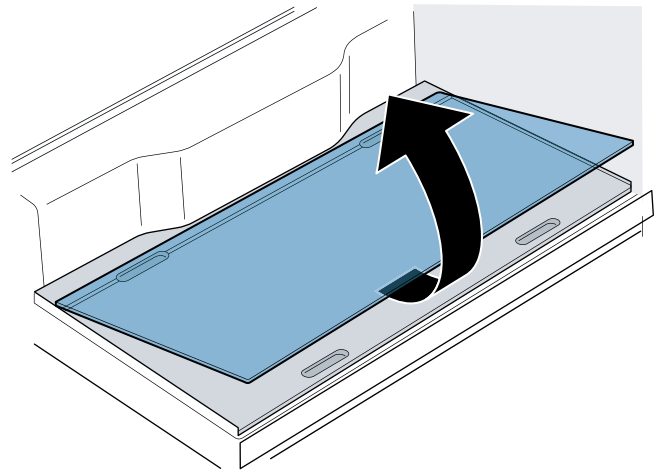
- No utilizar detergentes y disolventes que contengan arena, cloro o ácidos.
- No utilizar limpiadores para acero inoxidable en la parte exterior del aparato.
- No emplear esponjas abrasivas. En las superficies metálicas podría producirse corrosión.
- No limpiar nunca las bandejas y contenedores en el lavavajillas. Las piezas pueden deformarse.



### Limpiar el interior del aparato

Proceder como se indica a continuación:

1. Pulsar la tecla  **power**.
2. Retirar los alimentos y guardarlos en un lugar fresco. Cuando estén disponibles: coloque acumuladores de frío sobre los alimentos.
3. Limpiar el aparato con un paño suave, agua tibia y un poco de detergente para platos con pH neutro.



### ATENCION

Tener presente que el agua empleada en la limpieza del aparato no debe entrar en contacto con la iluminación.

4. Limpiar la junta de la puerta con agua limpia y secarla bien.
5. Vuelva a encender el aparato e introduzca los alimentos.

### Montar la placa de cristal:

- Colocar la placa de cristal en la placa separadora y deslizarla completamente hacia delante.

### Limpiar los accesorios

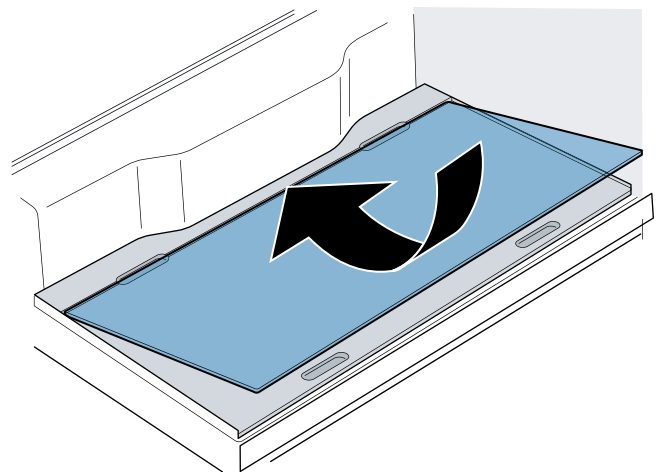
Para la limpieza, extraer los elementos variables del aparato.

→ "Equipamiento" en la página 83

#### Placa de cristal de la placa separadora

##### Desmontar la placa de cristal:

1. Introducir las manos en el hueco de la parte posterior, levantar la placa de cristal y deslizarla completamente hacia atrás.
2. Introducir las manos en el hueco de la parte delantera, levantar la placa de cristal y extraerla.

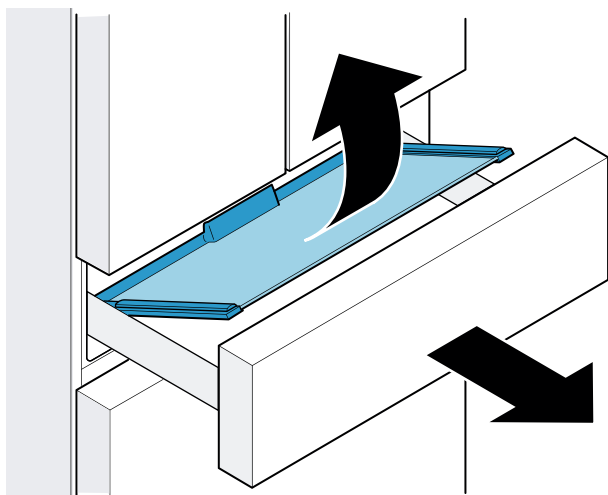




### Placa de cristal del cajón

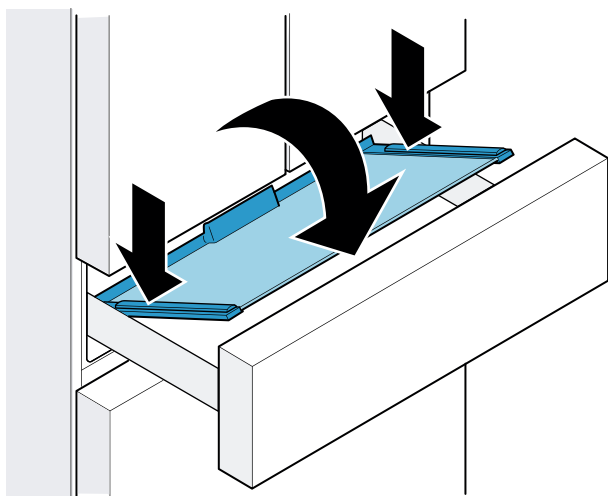
#### Desmontar la placa de cristal:

1. Abrir el cajón hasta el tope y retirar el contenedor.
2. Levantar la placa de cristal por la parte delantera y extraerla.



#### Montar la placa de cristal:

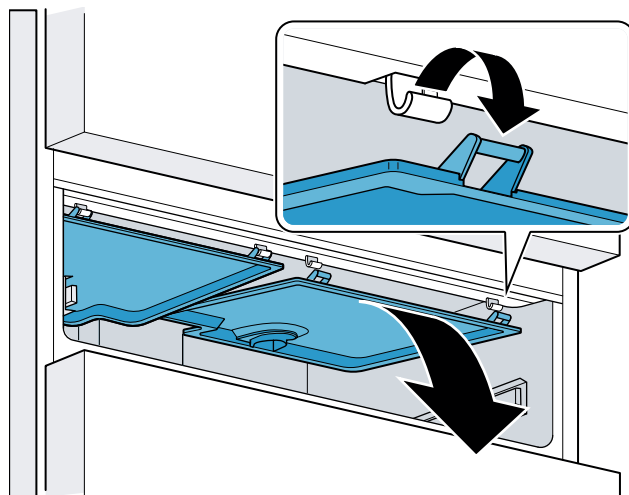
- Colocar la parte posterior de la placa de cristal sobre la guía de rieles e inclinarla hacia delante.



### Tapa del cajón fresco

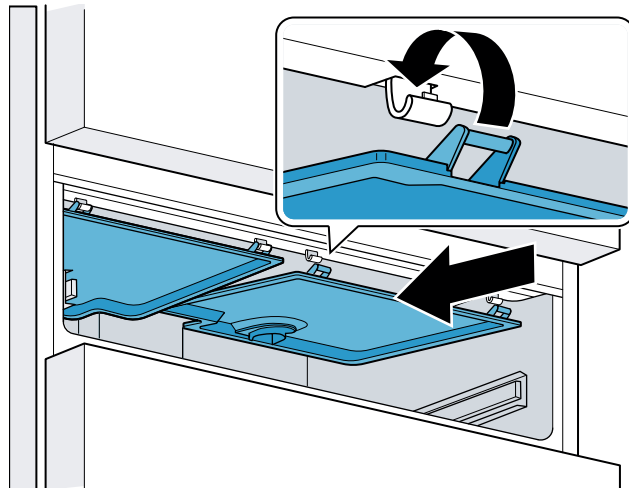
#### Desmontar la tapa:

1. Abrir los cajones del compartimento fresco hasta el tope y retirar el contenedor del compartimento fresco.
2. En el compartimento fresco levantar la tapa por la parte delantera y extraerla.



#### Montar la tapa:

1. En el compartimento fresco deslizar la tapa simétricamente hacia la parte de detrás y engancharla.
2. Presionar la tapa hacia arriba y encajarla.



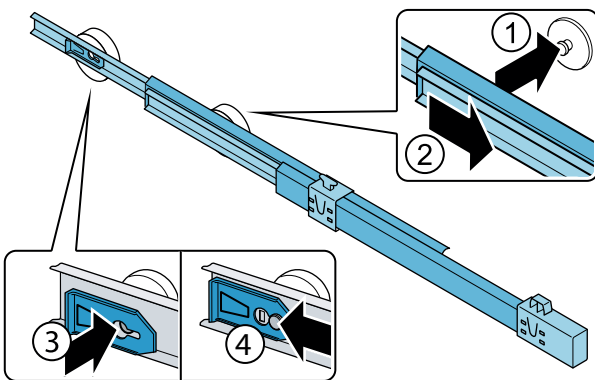
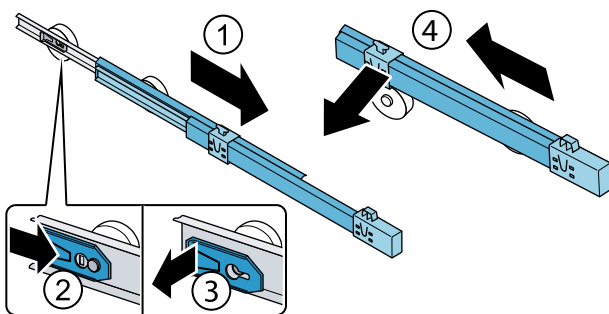
## Carriles telescópicos

### Desmontar los carriles telescópicos

1. Extraer el carril telescópico.
2. Desplazar el bloqueo en la dirección que marca la flecha.
3. Soltar el carril telescópico del tirafondo posterior.
4. Replegar el carril telescópico, desplazarlo hacia atrás por encima del tirafondo posterior y desenclavarlo.

### Montar los carriles telescópicos

1. Montar el carril telescópico en posición desplegada sobre el tirafondo delantero.
2. Tirar del carril telescópico ligeramente hacia delante para hacerlo enclavar.
3. Montar el carril en el tirafondo posterior.
4. Desplazar el bloqueo hacia atrás.



## Olores

En caso de detectar olores desagradables:

1. Apagar el aparato con la tecla para conexión y desconexión  $\text{\textcircled{1}}$  power.
2. Retirar todos los alimentos del aparato.
3. Limpiar el interior del aparato.
4. Limpiar todos los embalajes.
5. Envasar herméticamente los alimentos de olor fuerte para evitar la formación de olores.
6. Encender el aparato de nuevo.
7. Acomodar los alimentos.
8. Verificar después de 24 horas si hay olores de nuevo.

## Iluminación

Su aparato está equipado con una iluminación LED exenta de mantenimiento.

Sólo el Servicio al cliente o el personal autorizado puede reparar la iluminación.

## Ruidos

### Ruidos normales

**Zumbido:** Un motor está en marcha, por ejemplo, unidad de refrigeración, ventilador; la válvula de agua está purgando aire.

**Burbujear, zumbar o borbotear:** el refrigerante fluye a través de los tubos.

**Cliquear:** el motor, el interruptor, las válvulas de solenoide o la válvula de agua se encienden o se apagan.

**Crujir:** Se está realizando la descongelación automática.

### Evitar ruidos

**El aparato está desnivelado:** Nivelar el aparato con ayuda de un nivel de burbuja. Modifique la altura de las patas enroscadas.

**El aparato "está en contacto":** separar el aparato de los muebles o aparatos con los que está en contacto.

**Los recipientes, bandejas o estantes vibran o están atascados:** Verificar los elementos desmontables y, en caso necesario, colocarlos nuevamente.

**Las botellas o recipientes entran en contacto mutuo:** Separar un poco las botellas o los recipientes.

## ¿Qué hacer en caso de avería?

Antes de llamar al Servicio al cliente, intente solucionar el problema, utilizando esta tabla.

### Aparato

La temperatura difiere considerablemente del valor ajustado.	
	<p>Apagar el aparato durante 5 minutos.            → "Apagar y cerrar el aparato" en la página 87</p> <p>Si la temperatura es demasiado alta, vuelva a comprobarla después de unas pocas horas.</p> <p>Si la temperatura es demasiado baja, vuelva a comprobarla al día siguiente.</p>
No se ilumina ninguna indicación.	
El enchufe no está correctamente insertado.	Conectar el enchufe.
El fusible se fundió.	Compruebe los fusibles.
Se interrumpió el suministro eléctrico.	Verificar si hay corriente.
El indicador muestra E....	
El sistema electrónico ha detectado una falla.	Llamar al Servicio de Atención al Cliente.
La tecla alarm off parpadea y suena una señal acústica de aviso.	
	Pulsar la tecla <b>alarm off</b> . La alarma está desactivada.
El compartimento fresco, el compartimento refrigerador o el congelador está abierto.	Cerrar el aparato.
Las aberturas de ventilación y aireación están obstruidas.	Despejar las aberturas de ventilación y aireación.
La temperatura en el compartimento refrigerador, el compartimento fresco o el congelador es demasiado alta.	Pulsar la tecla <b>alarm off</b> . Después de pulsar la tecla <b>alarm off</b> se muestra durante 5 segundos la temperatura más elevada registrada en el congelador. La indicación ya no parpadea.
El aparato no enfría, se ilumina la pantalla y la iluminación.	
El modo de exposición está encendido.	<p>Iniciar la autoprueba del aparato.            → "Autoprueba del aparato" en la página 101</p> <p>Después de concluido el programa, el aparato volverá al modo de funcionamiento normal.</p>

## Dispensador de agua

El dispensador de agua no funciona.	
No llega nada de agua.	Comprobar la conexión de agua y, si es necesario, ponerse en contacto con el instalador.
La presión del agua es demasiado baja.	Conectar el aparato solo a líneas con suficiente presión de agua.
Hay un doblez en la manguera de agua.	Cerrar el suministro de agua, enderezar el doblez. En caso necesario, cambiar la manguera de agua.
El filtro de agua está bloqueado o necesita cambiarse.	Cambiar filtro de agua.
Sale agua del aparato.	
La conexión de agua es inestanca.	Compruebe que las conexiones estén firmemente apretadas y la manguera de agua se encuentre en buen estado. Si la manguera de agua está dañada, póngase en contacto con el servicio al cliente para sustituirla. La sustitución puede ser efectuada por un representante del servicio al cliente o por una persona con una cualificación similar. Utilice sólo piezas originales del fabricante.

## Máquina de hielo

La máquina de hielo no funciona.	
Se ha apagado la producción de cubitos de hielo.	Encender la producción de cubitos de hielo.
La temperatura del congelador es demasiado alta.	Fijar la temperatura más fría. → "Manejo del electrodoméstico" en la página 87
El filtro de agua está bloqueado o necesita cambiarse.	Cambiar filtro de agua.
No llega nada de agua.	Comprobar la conexión de agua y, si es necesario, ponerse en contacto con el instalador.
La máquina de hielo no tiene corriente.	Llamar al Servicio de atención al cliente.
La producción de cubitos de hielo es baja o sin forma.	
Después de encender o de haber retirado varios cubitos de hielo, hay muy pocos cubitos de hielo en el depósito para cubitos.	Un depósito para cubitos de hielo vacío tarda aproximadamente 48 horas en llenarse.
La producción de hielo se detiene automáticamente pero el depósito para cubitos todavía no está lleno.	No guarde la pala para hielo sobre el hielo del depósito para cubitos. De lo contrario el sensor no reconoce el nivel real de llenado del depósito.
La temperatura del congelador es demasiado alta.	Fijar la temperatura más fría. → "Manejo del electrodoméstico" en la página 87
La presión del agua es demasiado baja.	Conectar el aparato solo a líneas con suficiente presión de agua.

## Servicio de atención al cliente

Antes de llamar al Servicio de Atención al Cliente compruebe si usted mismo puede eliminar la avería o fallo.

En caso de no poder reparar la avería, póngase en contacto con el Servicio de atención al cliente. Siempre encontramos una solución adecuada.

US	1-800-944-2904	gratuito
CA	1-800-944-2904	

Al llamar, por favor, indique el número de producto (E-Nr.) y el número de fabricación (FD) de su unidad, que se encuentran en la placa de características del aparato.

→ *"Familiarizándose con el aparato"*  
en la página 81

### Autoprueba del aparato

Su aparato dispone de un programa automático de autoprueba que le indica las fallas, que su Servicio al cliente puede solucionar.

1. Apagar el aparato y esperar 5<sup>o</sup> minutos.
  2. Encender el aparato de nuevo.
  3. Dentro de los primeros 2 minutos pulsar la tecla **menu** y mantenerla pulsada durante 10 segundos hasta que suene una señal acústica.  
Arranca el programa de autocomprobación.  
Durante la autocomprobación suena una señal acústica prolongada.
- Si al finalizar la autocomprobación suenan 2 señales acústicas y se muestra la temperatura ajustada, su aparato se encuentra en perfecto estado.
  - Si al finalizar la autocomprobación suenan 5 señales acústicas y la indicación de ajustes muestra **Er**, notificar al Servicio de atención al cliente.

Una vez concluido el programa, el aparato volverá al modo de funcionamiento normal.

### Declaración de garantía

Informaciones detalladas sobre la garantía las encontrará en la declaración de la garantía limitada del producto adjunta.



**BSH Home Appliances Corporation**

1901 Main Street, Suite 600,  
Irvine CA 92614, USA

**[www.bosch-home.com](http://www.bosch-home.com)**



**8001147755** (9904)  
en-us, fr-ca, es-mx