

# LED Surface/Recess Light Dimmable

## Recessed and Surface Mount Downlight Kit



- Lumen package:
  - 840 lumens @ 12 watts
  - 1095 lumens @ 15 watts
- Fits into most 4", 5" and 6" recessed downlight fixtures
- Surface mount to standard 4" J-Box or using Connector Box
- CCT: 3000K
- CRI of 82
- Dimmable down to 20%
- 35,000 hour life (L70)
- Suitable for indoor dry and wet locations
- Reduces energy consumption up to 87%
- Lasts up to 17 times longer than incandescent lamps
- No warm-up time, instant-on with full light output and stable lamp to lamp color
- Meets California Title 24 fixture requirements for high efficacy luminaire

The LED dimmable DISK LIGHT is an LED downlight kit creating high performing white light and is optimized for new construction and retrofit applications. Multiple installation options for both recessed and surface mount applications. Installation is done quickly and easily in most standard five-inch and six-inch Insulated Ceiling (IC) housings, Airtight (AT) housings and non-IC housings. It can also be surface mounted to standard 4-inch J-Box or using specially designed Connector Box.

### Dimming

The LED dimmable DISK LIGHT is dimmable to 20% with standard 120V electronic low voltage dimmers (recommended), incandescent or magnetic low voltage dimmers. In some cases, standard incandescent dimmers require a minimum load of typically >40 watts on the circuit for full range dimming performance (four LED modules). For dimming with digital (smart) multi-location dimmers or when dimming fewer than four LED modules, electronic low-voltage (ELV) dimmers are required (some ELV dimmers need a neutral connection in the wallbox).

### Quality of Light

The LED dimmable DISK LIGHT provides excellent color rendering (82 CRI), and a color temperature of 3000K. LEDs have virtually no UV or infrared radiation to damage or fade furnishings, art or other objects.

### Optical Design

Optical design efficiently directs light output in an 120° beam angle with low glare.

\* Performance may vary depending on dimmer use in application. Please refer to Dimmer Compatibility List (RETRO-DIM) for a list of compatible dimmers or visit [www.sylvania.com/LightDisk](http://www.sylvania.com/LightDisk)

### Product Offering

Lumen Output	Wattage	Color Temperature	CRI
840	12	3000K	82
1095	15	3000K	82

### Application Information

#### Applications

- Kitchen Countertops
- Cabinets
- Hallways
- Shower Room
- Retail Environments
- Display Cases
- Medical Facilities
- Workstations

### Specifications and Certifications



This light source meets restrictions on hazardous substances.



## Specification Data

Catalog #	Type
Project	
Comments	
Prepared by	

### Specifications

<b>Energy Data</b> Minimum Starting Temp: -20°C (-4°F) EMI/RFI: FCC Title 47 CFR, Part 15, Class B Sound Rating: <24dBA Input Voltage: 120V Input Frequency: 60Hz Power Factor: >0.90 THD<20% Input Power: 12W & 15W	Input Current: 0.17A & 0.3A Maximum Ambient Operating Temperature (Insulated Ceiling): 40°C (104°F) Maximum Ambient Operating Temperature (Non-Insulated Ceiling): 40°C (104°F)	<b>Lighting Data</b> Lumen Output: 840, 1095 Wattage: 12, 15 Lumens per Watt: 70,73  <b>Color</b> Correlated Color Temperature (CCT): 3000K Color Rendering Index (CRI): 82 R9: 15
--	---	--

### Ordering Information

Item Number	Ordering Abbreviation	Recessed Housing	J-Box Size	Replaced Incandescent Wattage (W)	Nominal Wattage (W)	Delivered Light Output (lm)	Color Temperature	CRI	Avg. Rated Life (hrs.)*
72089	LED/80/LD/830/FL120	4" & 6"	4"&5"&6"	65	12	840	3000K	82	35,000
71911	LED/50/LD/830/FL120	4" & 6"	4"&5"&6"	100	15	1095	3000K	82	35,000

LED lamp life is defined as the number of hours when 50% of an average group of identical lamps reached 70% of initial lumens.  
 Beam angle = 120°

### Ordering Guide

LED	/	50	/	LD	/	8	/	30	/	FL	/	120	
LED	50-60lm	Light Output		Product Name	Light Disk	CRI >80		Color Temperature	3000K	Flood		Beam Angle	120°

### Power Supply Information

Basic Product Description	LED Lumens	LED Life	Traditional Lamp Types	Lumens	Life	Watts Saved With LD	LD Energy Savings*	LD Life Benefit
Light Disk	80-100	35,000	Incandescent 65BR30	640	2000	55	\$302	17.5X
			Halogen 50WBR30/SS/HAL	585	2500	40	\$220	17.5X
			Halogen 50WPAR30LN/WFL	660	2500	40	\$220	14X
			Compact Fluorescent 15WBR30	600	8000	5	\$27	4.4X
Light Disk	50-60	35,000	Incandescent 100BR40	640	2000	87	\$335	17.5X
			Halogen 80WBR40/SS/HAL	1080	2000	67	\$258	17.5X
			Halogen 75WPAR38/WFL	1060	2500	62	\$239	14X
			Compact Fluorescent 15WBR30	900	8000	7	\$27	4.4X

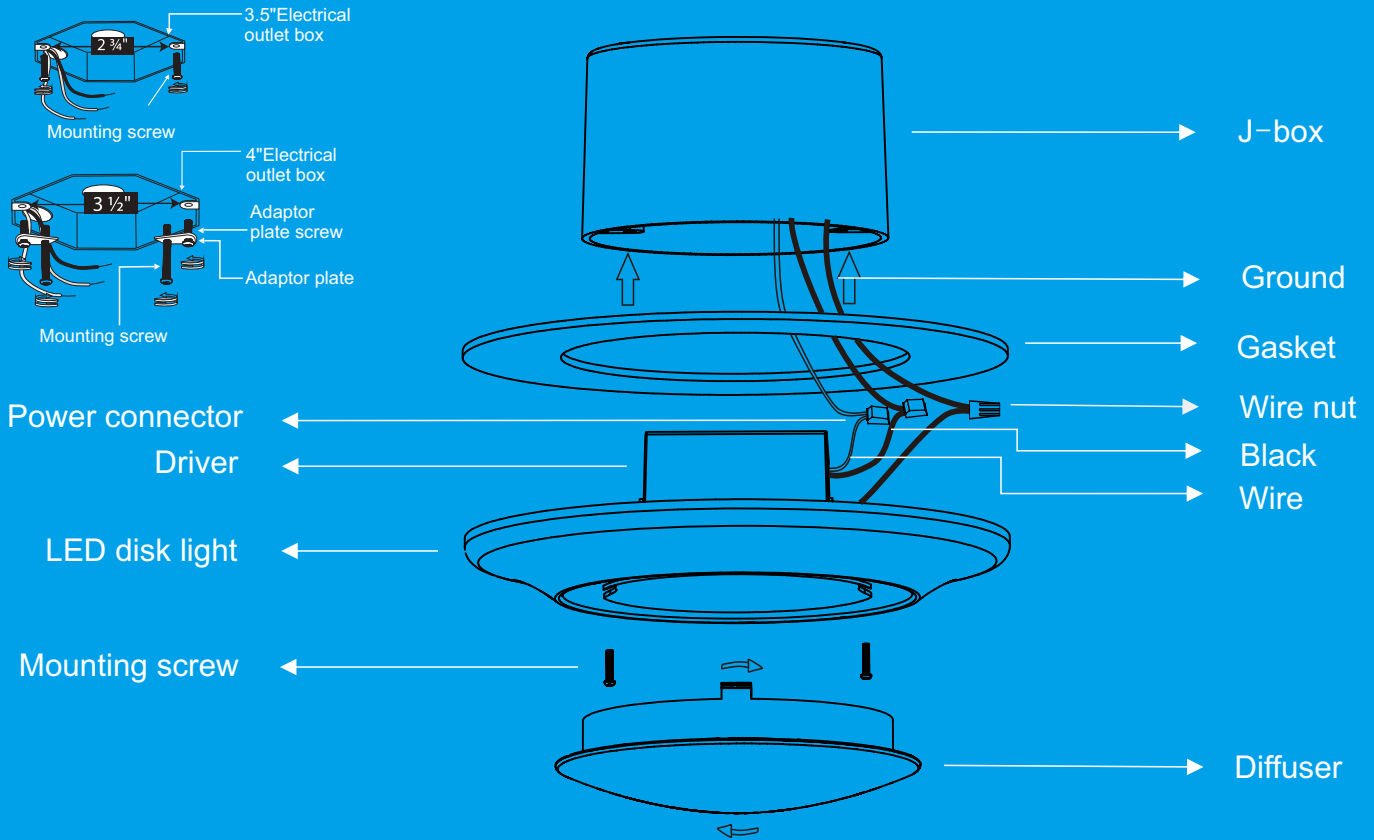
\*Based on \$0.12/kWh over 35,000 hours life.

### Application Information

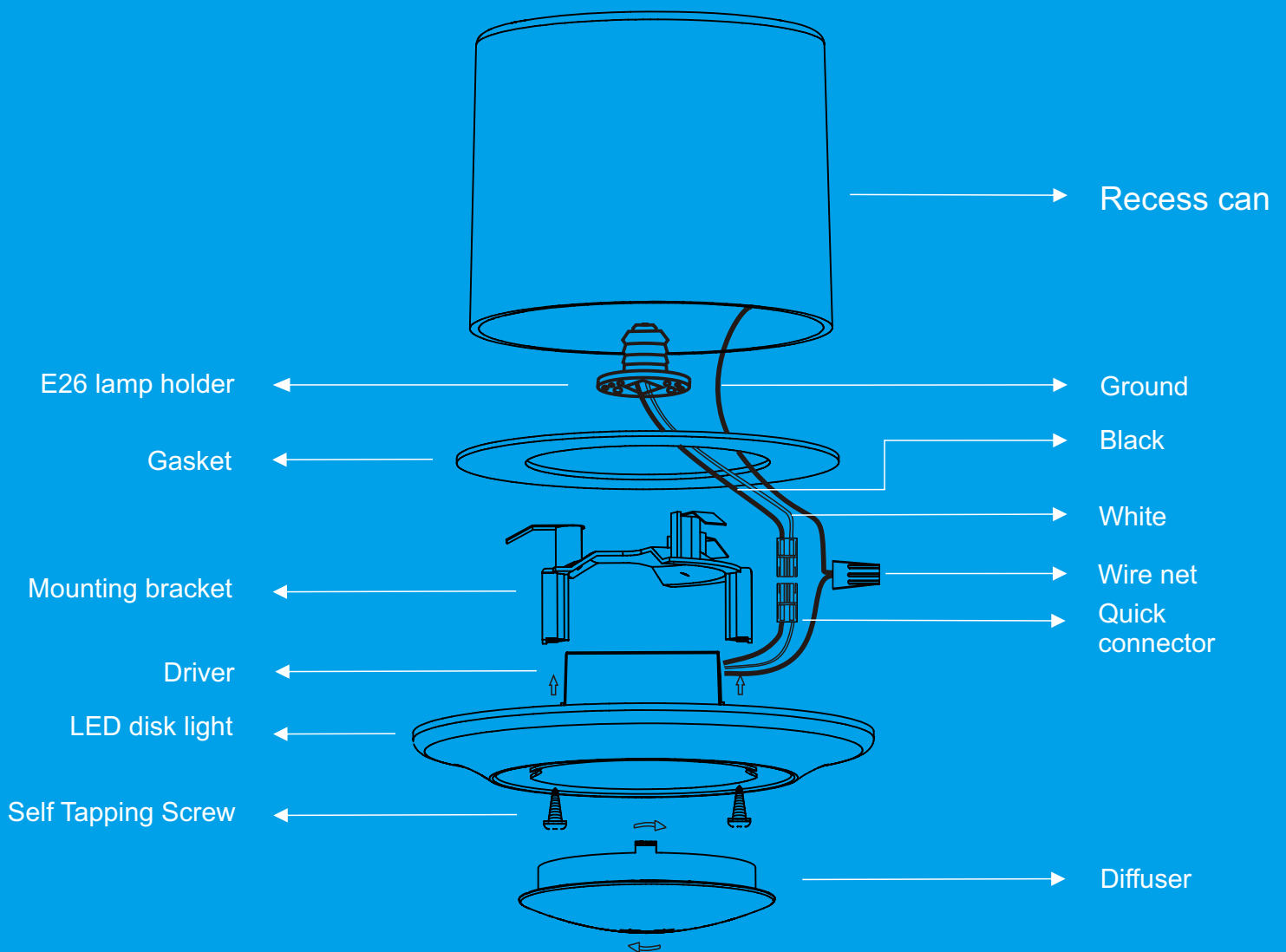
#### Application Notes

1. Operating temperature range between -4°F and +104°F (-20°C and +40°C).
2. Suitable for use in indoor dry and damp location environments.
3. Suitable for dimmers or in housings controlled by a dimmer – see [www.amaxlighting.com/LightDisk](http://www.amaxlighting.com/LightDisk) for detailed dimmer compatibility list.
4. Not intended for use with emergency light fixtures or exit lights.
5. For use in housings that can structurally support a lamp weighing one pound.
6. Designed to install in standard 4", 5" & 6" insulated and non-insulated housings or with standard 4" J-Box (not included) or using Connector Box (sold separately). For a list of compatible housings, please refer to [www.amaxlighting.com/LightDisk](http://www.amaxlighting.com/LightDisk).
7. For detailed warranty information, please see [www.amaxlighting.com/LightDisk](http://www.amaxlighting.com/LightDisk).

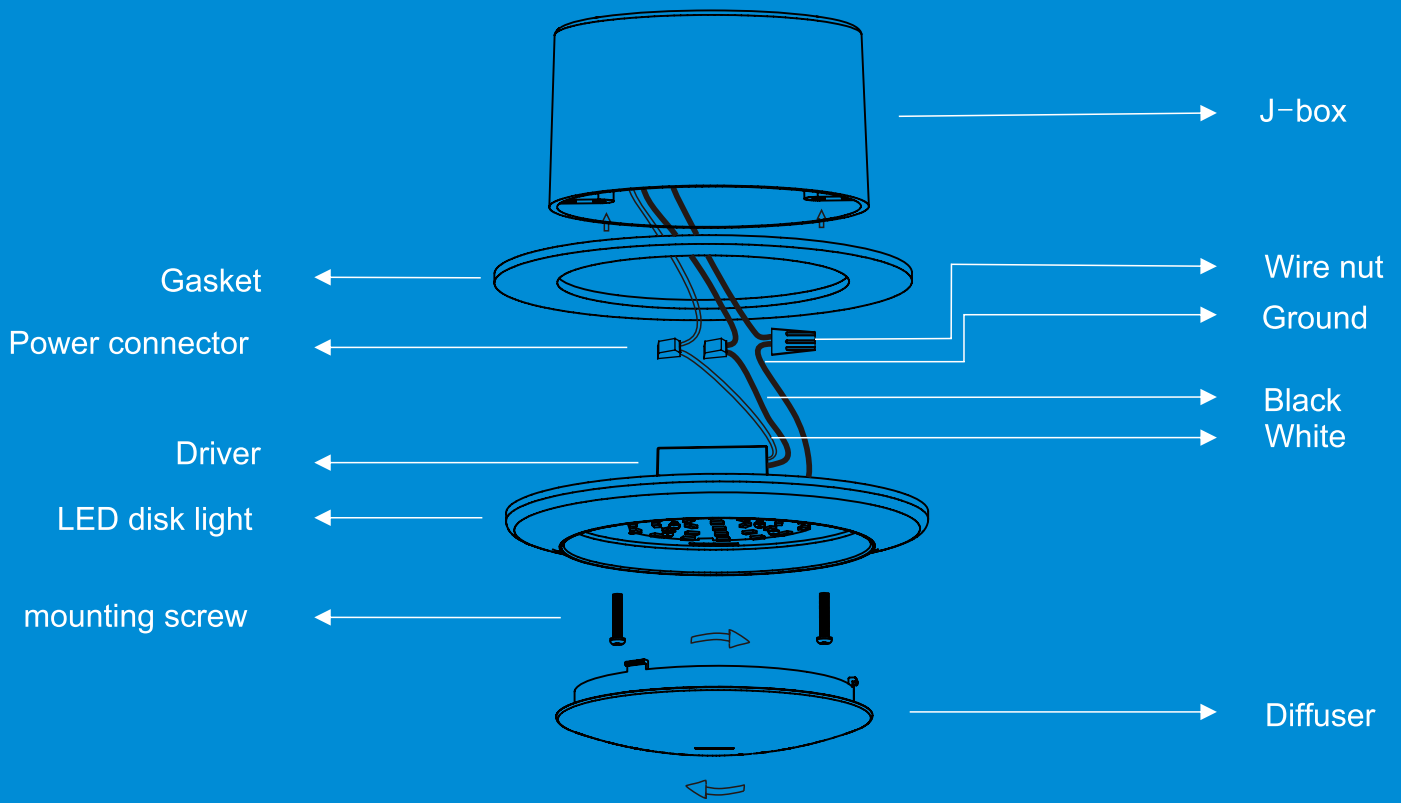
## 4" DISK LIGHT FOR J-BOX FLUSH MOUNT



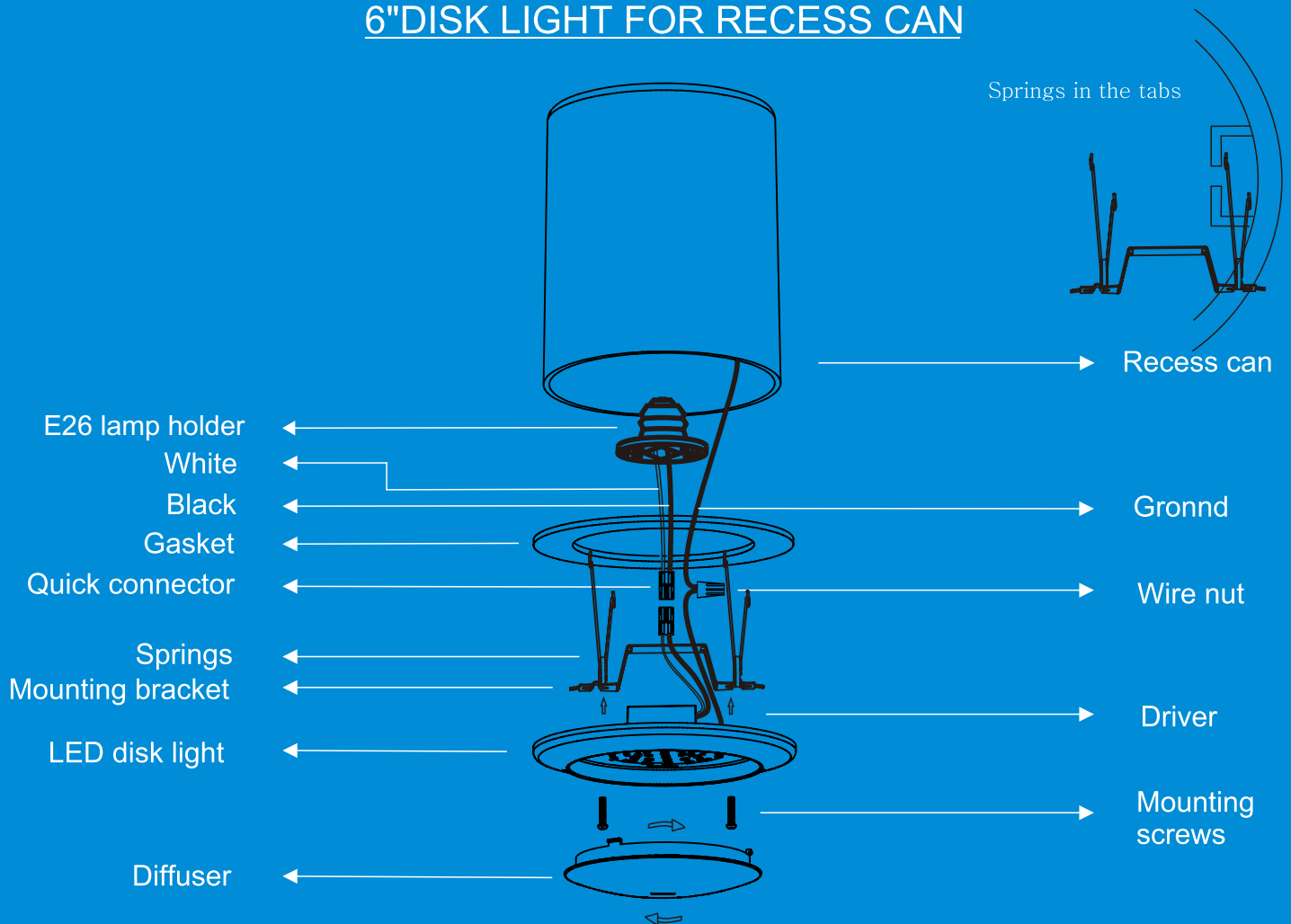
## 4" DISK LIGHT FOR RECESS CAN



## 6"DISK LIGHT FOR J-BOX FLUSH MOUNT



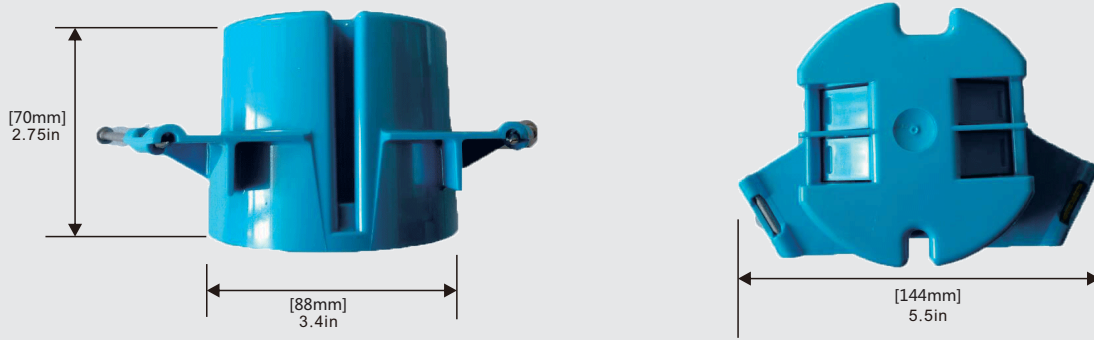
## 6"DISK LIGHT FOR RECESS CAN



## Accessories

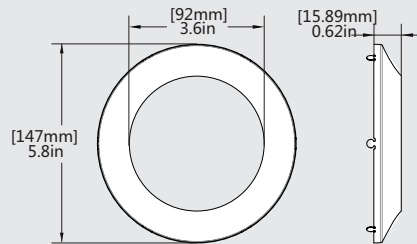
### Connector Box

75104 LD/CONNECTOR/BOX (sold separately)



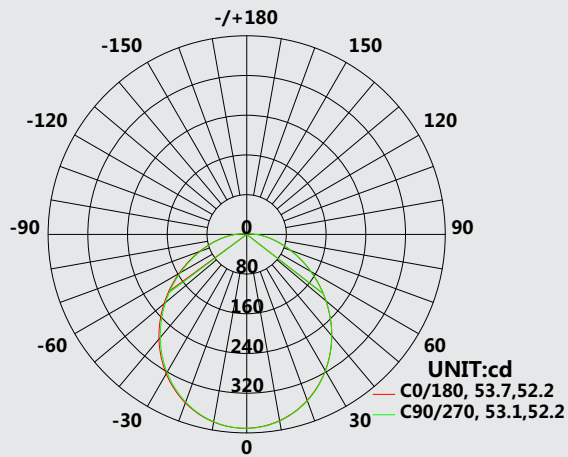
### Retrofit Trim

75100	LD/TRIM/WHT (White)
75101	LD/TRIM/BRZ (Bronze)
75102	LD/TRIM/BRN (Brush Nickel)



## Photometric Information

### LUMINOUS INTENSITY DISTRIBUTION DIAGRAM



**AVERAGE BEAM ANGLE(50%):105.6 DEG**

### PLANAR ISOLUX DIAGRAM(UNIT:lx)

