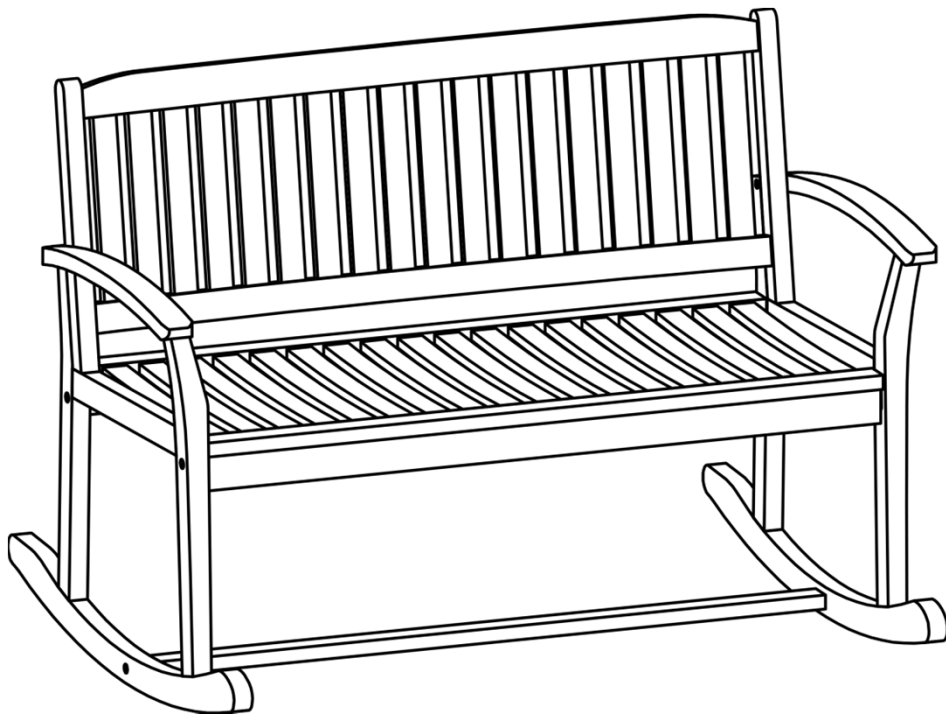


# Assembly Instructions

**Caution: You must read this before you proceed**

## ROCKING LOVESEAT

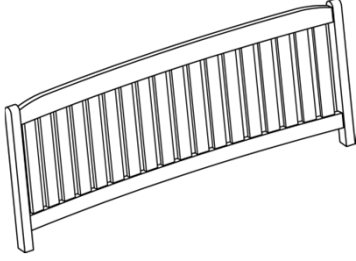
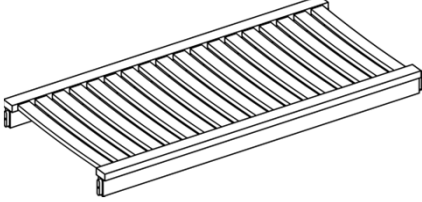
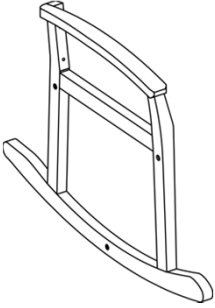
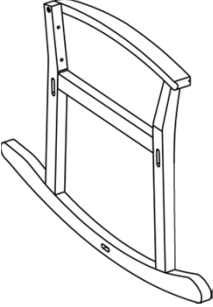



**Caution:** This Rocking Loveseat is NOT a TOY.

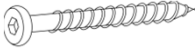
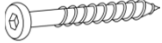

Keep your child / children at bay in the process of assembly.

For turning the Rocking Loveseat and to prevent damage to the Rocking Loveseat, 02 persons may be needed to execute this action.

# Parts List

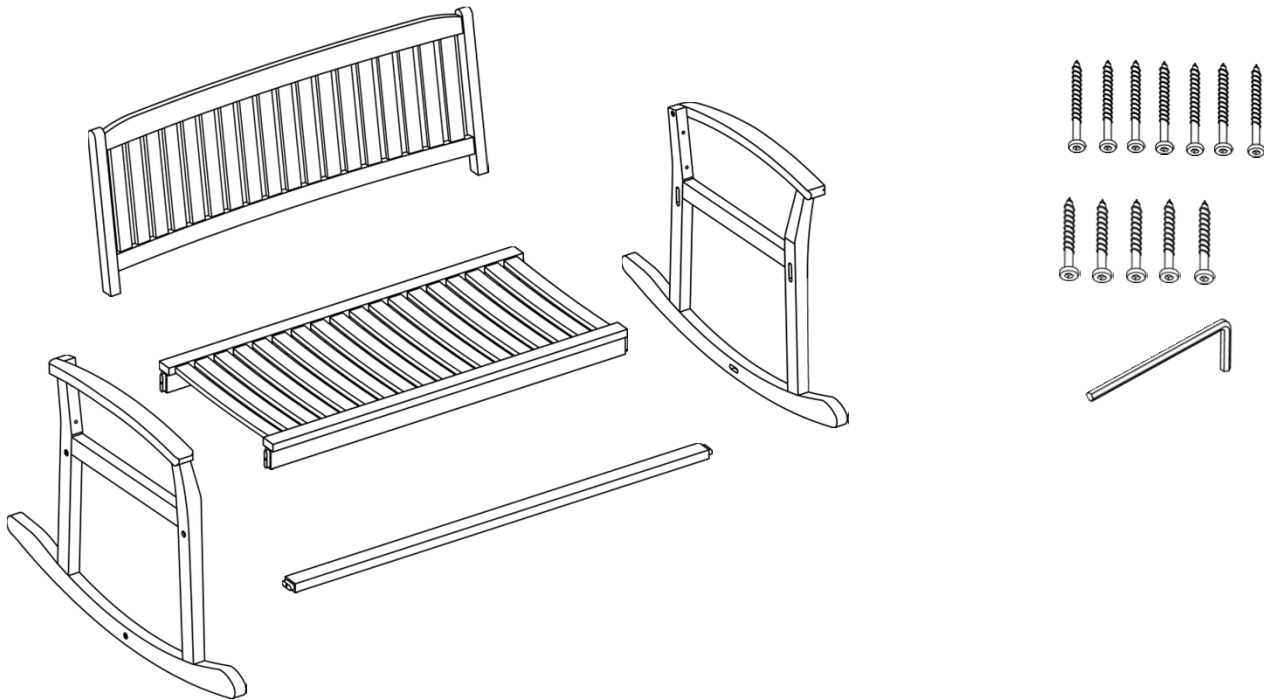
Label	Picture	Description	QTY
A		Backrest Panel	1
B		Seat Panel	1
C		Left Leg Panel	1
D		Right Leg Panel	1
E		Leg Support Bar	1

# Hardware

Label	Picture	Description	QTY
①		Screw (M6*80mm)	7
②		Screw (M6*65mm)	5
③		Allen Key	1

# Assembly Preparation

Before Beginning Assembly:



- Read instructions, cover to cover-



- Have 2 adults on hand for assembly-



- Do not assemble on flooring or carpet-



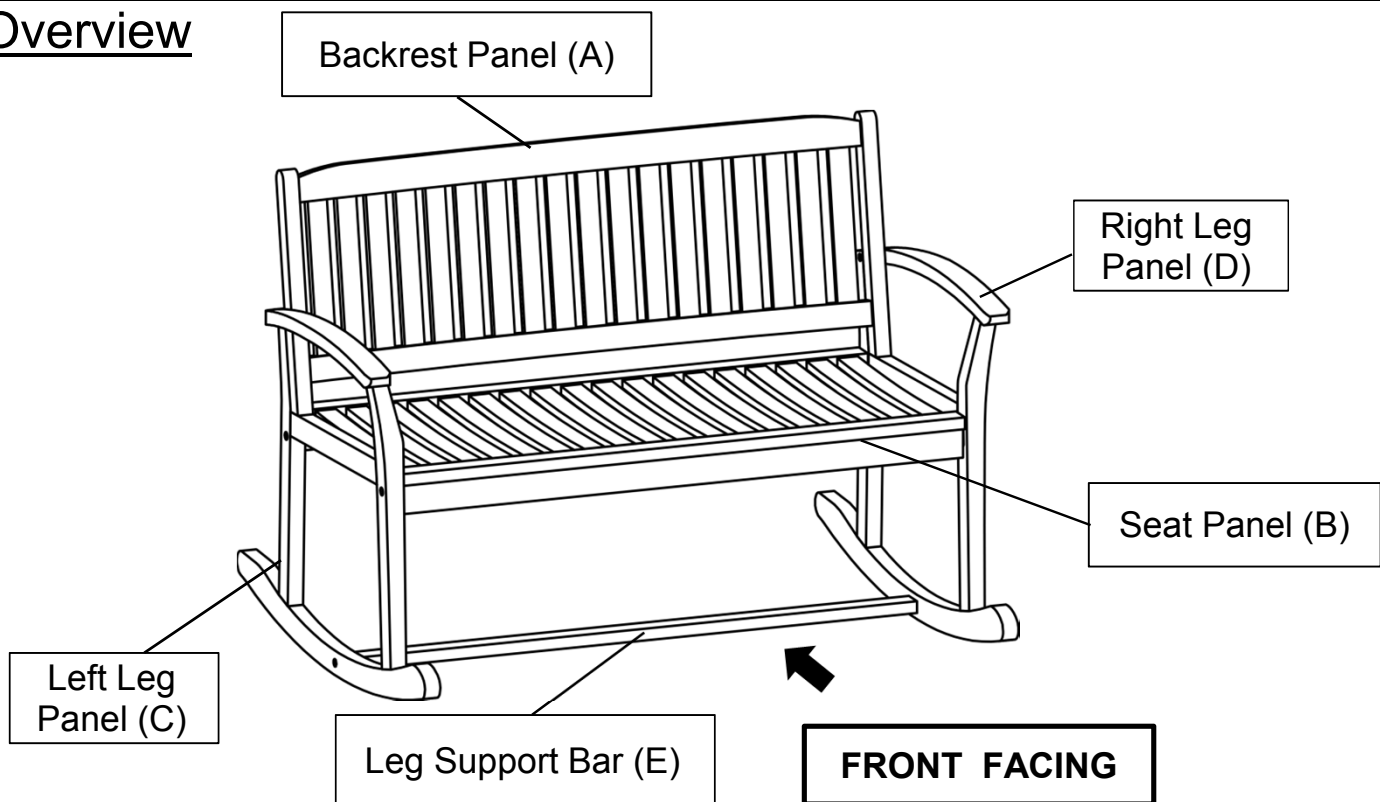
- Assemble on a clean non-marring surface (packing foam)-



- Save all packaging until finished-

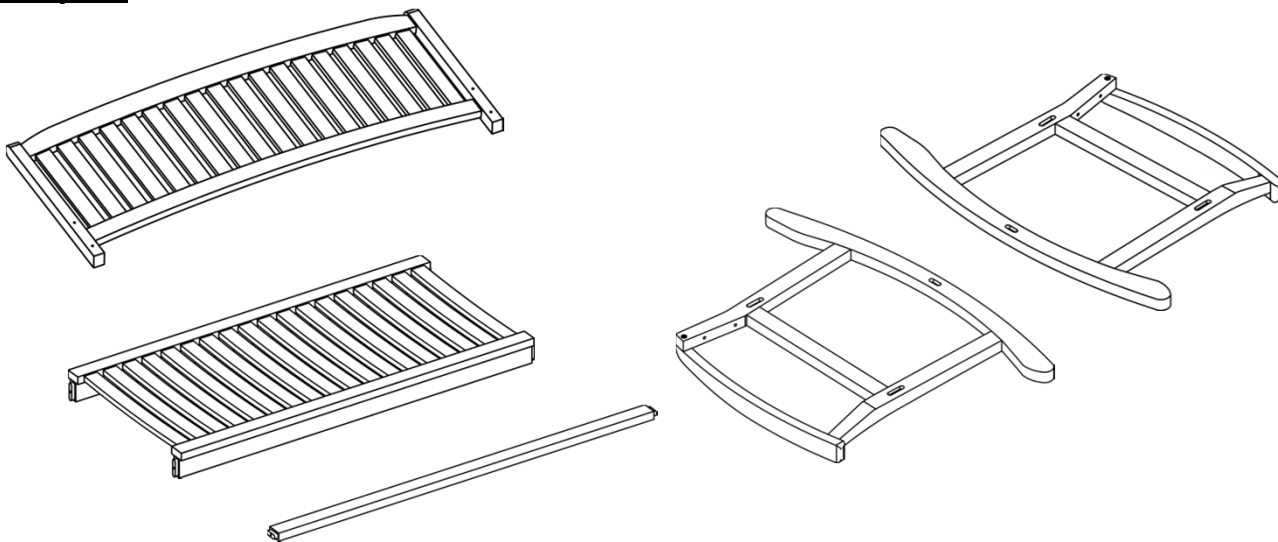
# Assembly Steps

## Overview



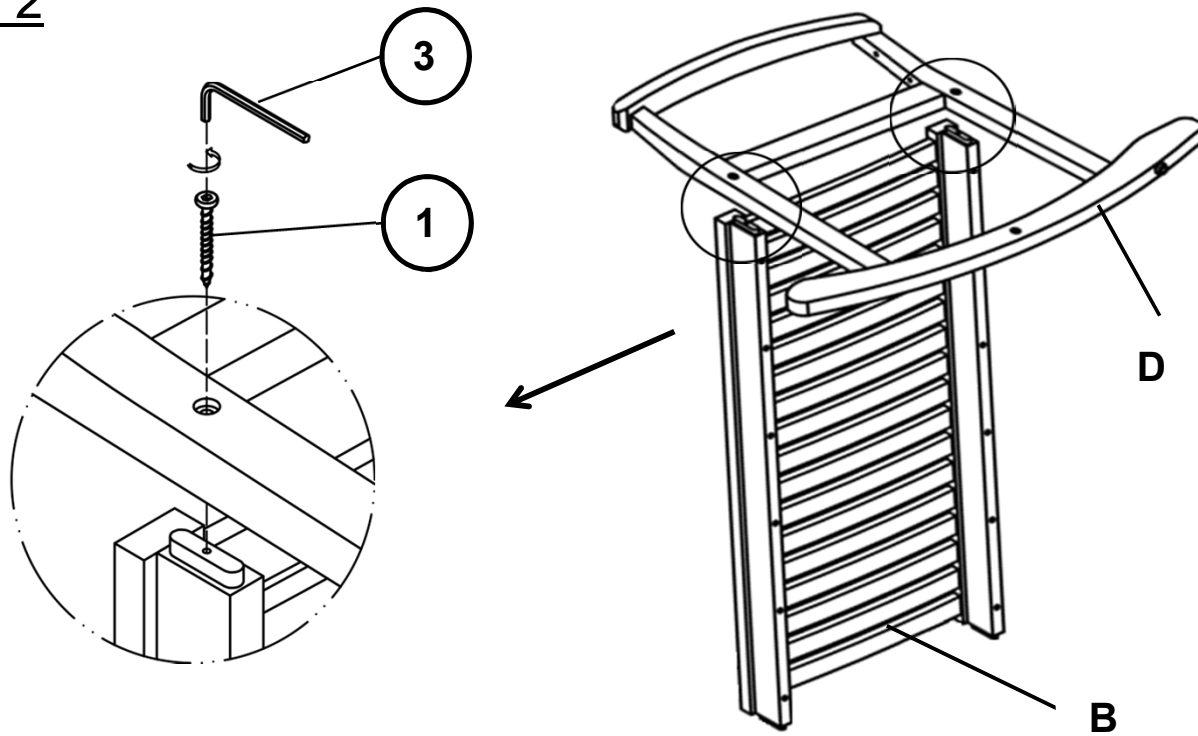
This Rocking Loveseat has multiple parts and may require up to 30 minutes to assemble. To give you an overview of the Rocking Loveseat parts, the above picture is to help you put the various parts into perspective. Please read through the instructions below to familiarise yourself with the parts and steps before assembly.

## Step 1



Unpack and place all parts on a clean, non-marring surface.

## Step 2

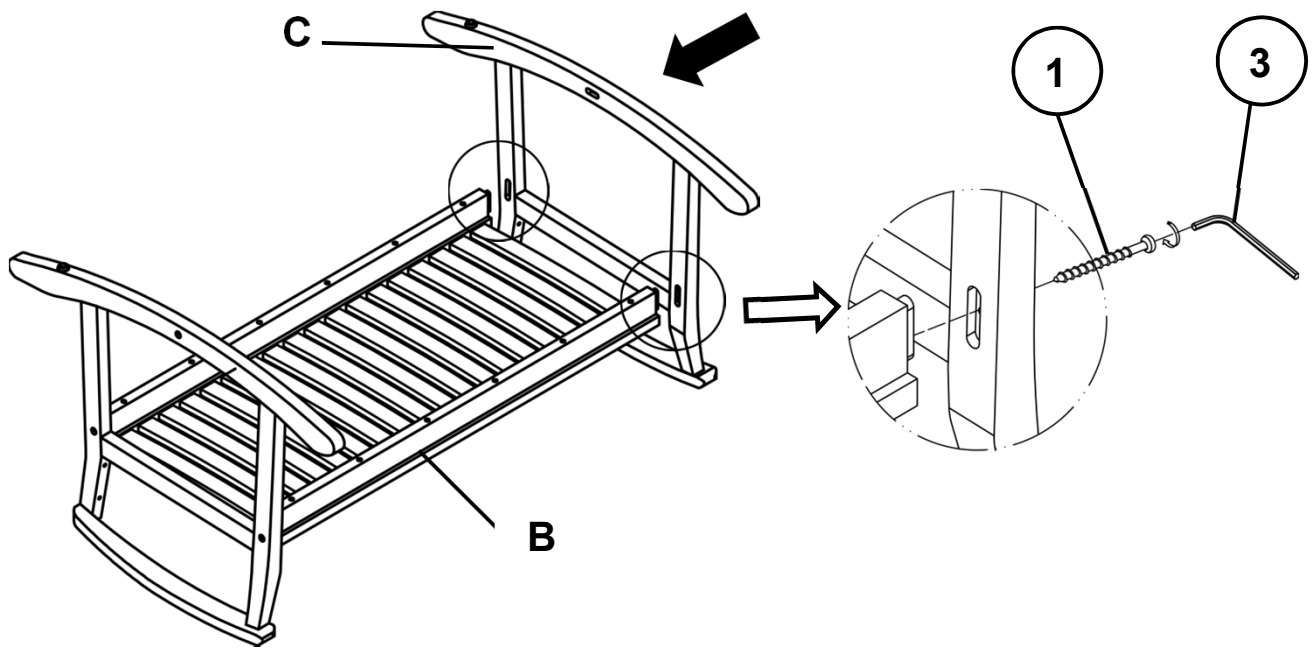


With the help from your assistance, place the Seat Panel (B) with its one side face skywards onto a clean, soft surface to avoid any scratches or damages to the product.

Align the tenon of Seat Panel (B) into the Mortise of Right Leg Panel (D) as shown above. Then, affix the Seat Panel (B) with Right Leg Panel (D) by using Screws (①) and Allen Key (③).

**DO NOT FULLY TIGHTEN SCREWS.**

## Step 3



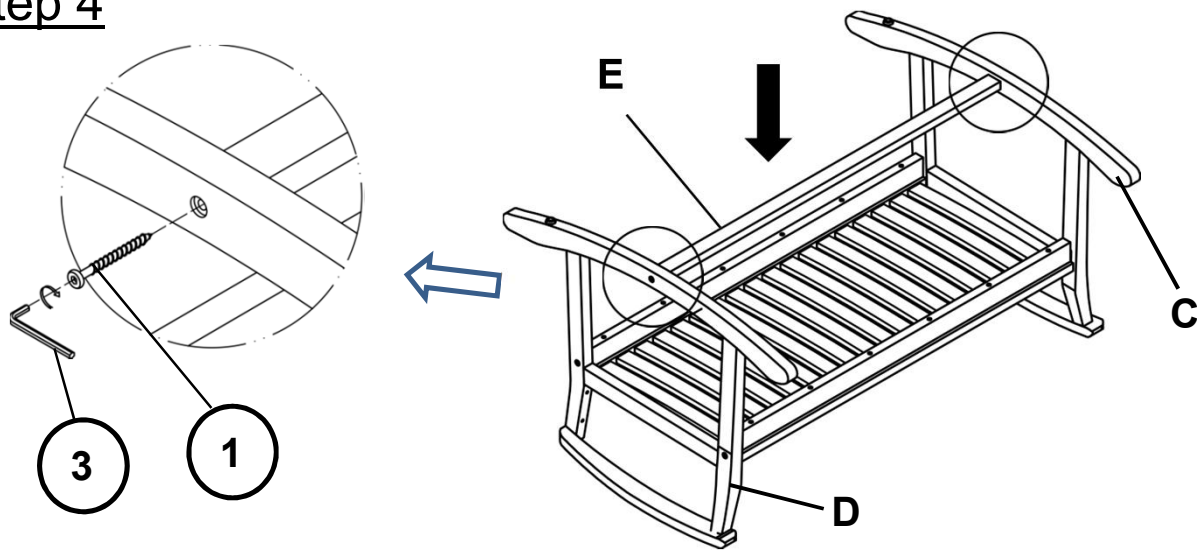
With the help from your partner, place the assembled part on step 2 to the Left Leg Panel (C) as shown in picture above.

Align the tenon of Seat Panel (B) into the Mortise of Left Leg Panel (C) as shown above.

Then, affix the Seat Panel (B) with Left Leg Panel (C) by using Screws (①) and Allen Key (③).

**Do not fully tighten the Screws.**

## Step 4

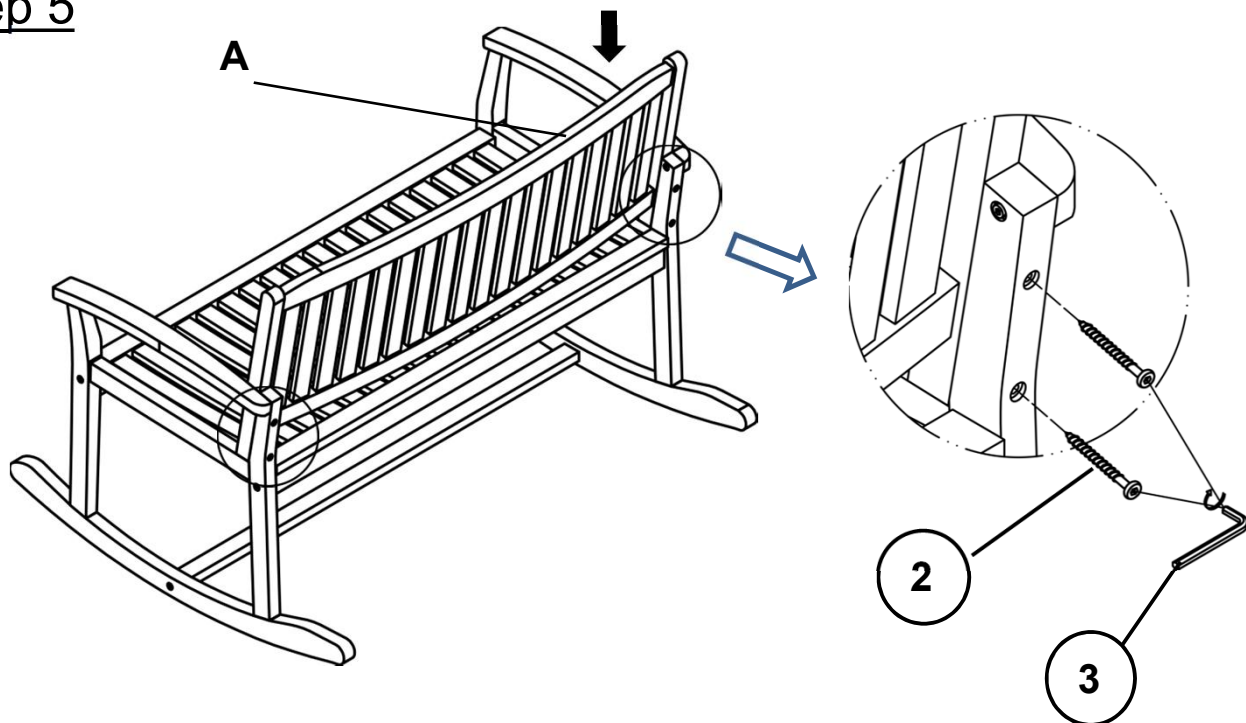


Attach the Leg Support Bar (E) to the Right Leg Panel (D) and Left Leg Panel (C) by using Screws (①) with Allen Key (③).

You may need to apply a little pressure to enable align the tenon of Leg Support Bar (E) into the Mortise of Left Leg Panel (C) and Right Leg Panel (D).

**Do not fully tighten the Screws.**

## Step 5

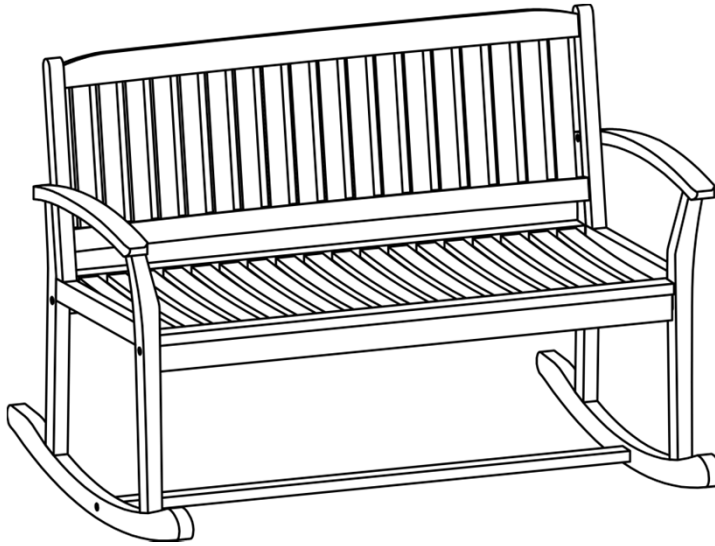


With the help from your partner, turn the finished part in step 5 right side up.

Attach Backrest Panel (A) to Right Leg Panel (D) and Left Leg Panel (C), secure by using Screw (②) and Allen Key (③)

**Do not fully tighten Screws.**

## Step 6



Place the Rocking Loveseat on a LEVEL SURFACE.

Inspect the Rocking Loveseat and make sure all parts are connected.

**Gently and gracefully, sit into to the Rocking Loveseat.**

This would help to align all the parts at all the joint areas.

Then get off the Rocking Loveseat and in a sequential manner, proceed to tighten all Screws. Whenever moving or lifting the Rocking Loveseat be sure to secure assistance from your adult partner(s).

**When tightening the Bolts and Screws, tighten sequentially.**

**DO NOT tighten any Bolt or Screw fully and then move on towards the next one.**

**If there are still wobbles, loosen the Bolts and Screws and execute this same process.**










**WARNING!! IF Rocking Loveseat IS NOT STABLE , IT COULD LEAD TO DAMAGING THE PRODUCT.**

Your Rocking Loveseat is ready for use.

This Rocking Loveseat can only be only be used on a flat, lever surface.



## Care & Maintenance

-  Do not put hot items directly on furniture surface
  -  Do not clean furniture with harsh cleansers or polish.
  -  To obtain the longest lifespan of your outdoor products, minimizing exposure to direct sunlight is recommended.
  -  Children should not climb or jump on the furniture.
  -  Do not write on furniture without a padded barrier to protect the surface.
  -  To obtain the longest lifespan of your outdoor products, avoid extended and lengthy exposure to rain, snow, and direct sunshine. Whenever possible cover the product and /or place under patio or awnings.
  -  Not for commercial use. For residential use only .
  -  Stains may be removed with mild soap solution and damp cloth.
- 
-  Dust and pick-up spills using a clean, non-colored, lint-free cloth .