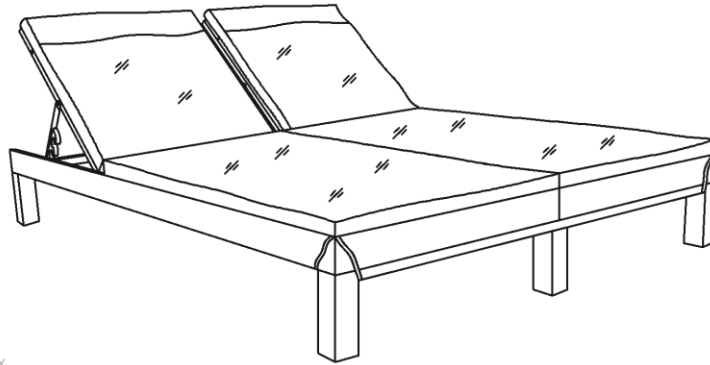


# Assembly Instructions

Caution : You must read this before you proceed



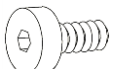

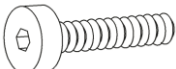
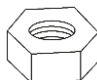


## Double Bed



### Parts List

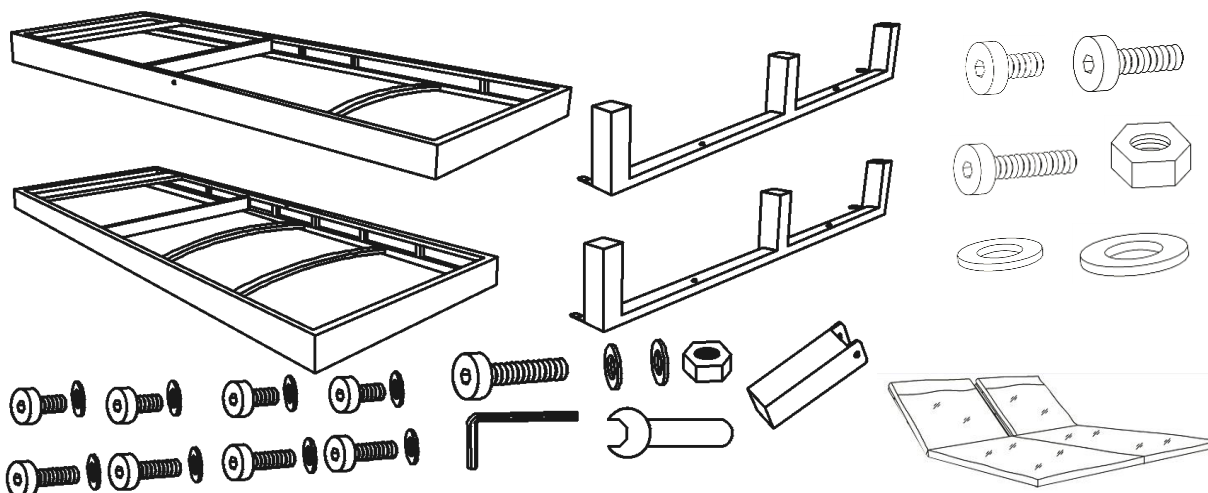
Label	Picture	Description	QTY
A		Left Bed Panel	1
B		Right Bed Panel	1
C		Bed Leg	2
D		Middle Leg	1
E		Cushion	1

# Hardware

Label	Picture	Description	QTY
①		Allen Key	1
②		Wrench	1
③		Bolt (M6*16)	5
④		Bolt (M6*35)	5
⑤		Bolt (M8*70)	2
⑥		Nut (M8)	2
⑦		Washer (M6)	9
⑧		Washer (M8)	3

# Assembly Preparation

Before Beginning Assembly:



- Read instructions, cover to cover-



- Have 2 adults on hand for assembly-



- Do not assemble on flooring or carpet-



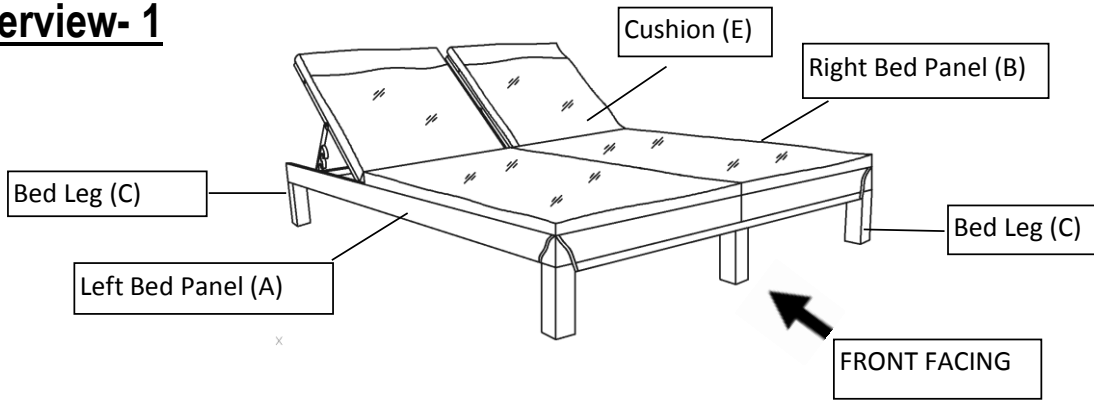
- Assemble on a clean non-marring surface (packing foam)-



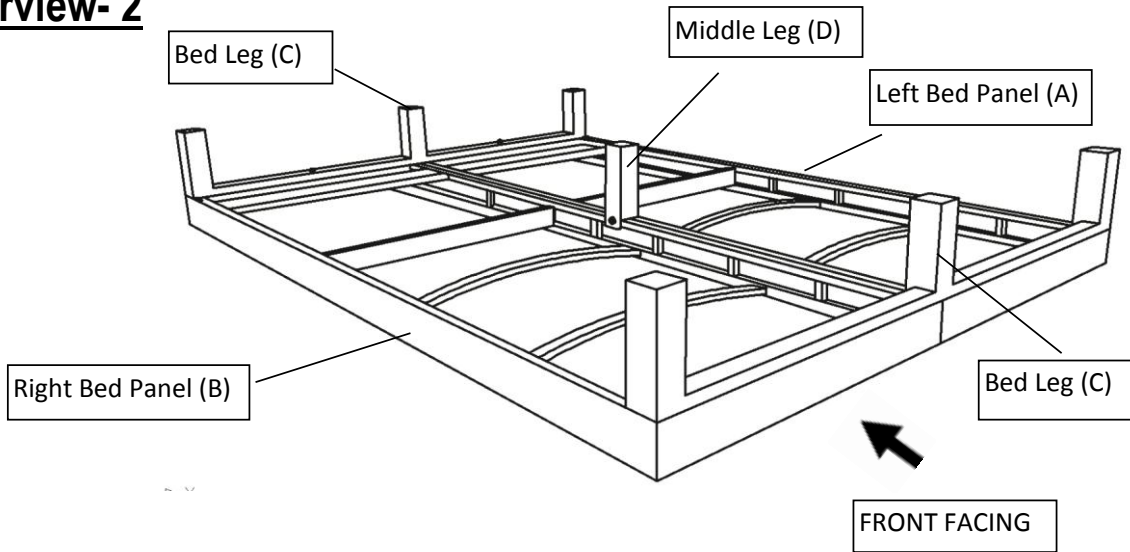
- Save all packaging until finished-

# Assembly Steps

## Overview- 1

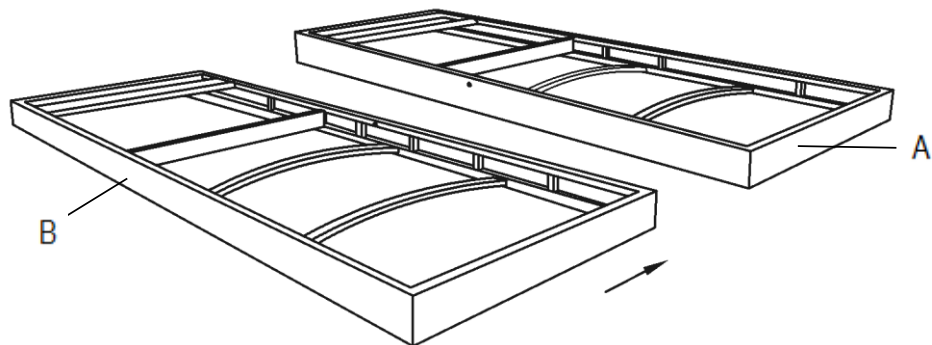


## Overview- 2



This Double Bed has multiple parts and may require up to 30 minutes to assemble. To give you an overview of the Double Bed parts, the above picture is to help you put the various parts into perspective. Please read through the instructions below to familiarise yourself with the parts and steps before assembly.

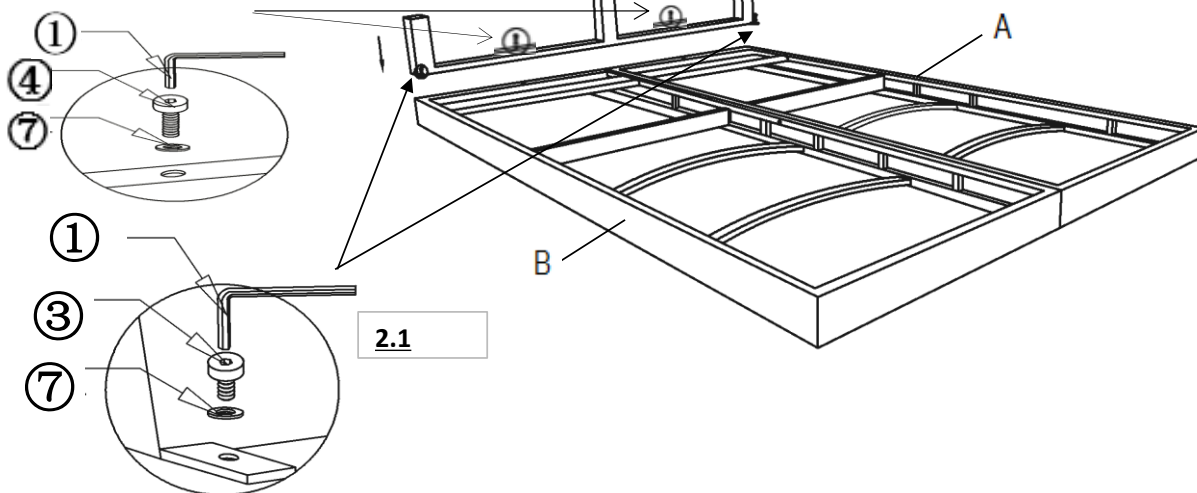
## Step 1



Open the carton and place all the parts onto a clean, non-marring surface. Place Left Panel(A) and Right Panel(B) facedown on the ground

## Step 2

2.2

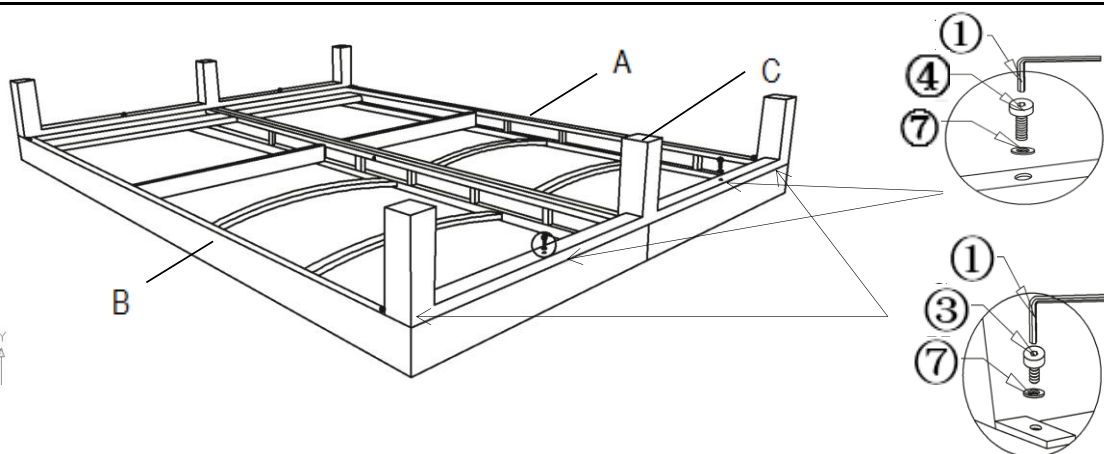


**2.1)** Attach Bed Leg(C) to Left Bed Panel(A) and Right Bed Panel(B) using Bolts(③) and Washers(⑦) with Allen Key(①).

**2.2)** Attach Bed Leg(C) to Left Bed Panel(A) and Right Bed Panel(B) at mounting points between side legs and middle leg using Bolts(④) and Washers(⑦) with Allen Key(①) as pictured.

**Do not fully tighten the Bolts.**

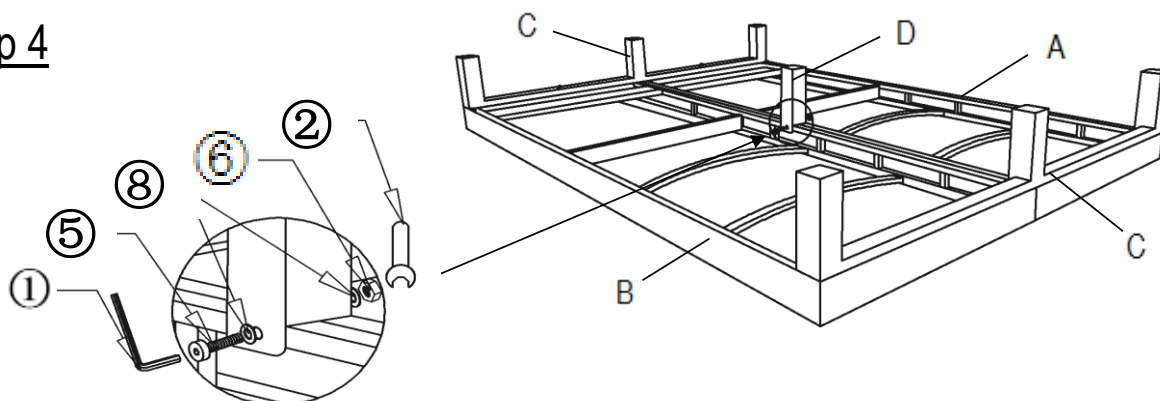
## Step 3



Repeat the process from **Step 2** to assemble the other Bed Leg(C).

**Do not fully tighten the Bolts.**

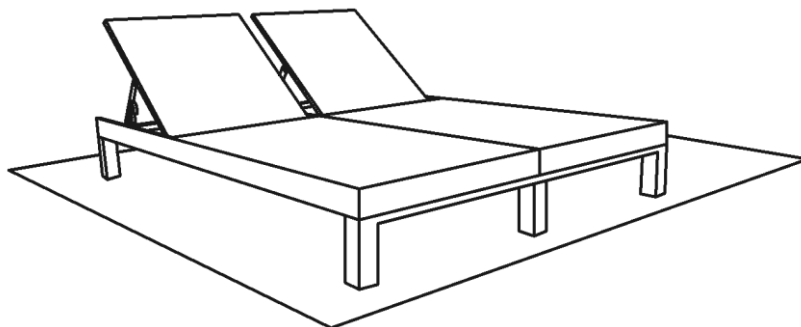
## Step 4



Attach Middle Leg(D) to Double Bed using Bolt(⑤) and Washer(⑧) on one side and Washer(③) and Nut(⑥) on the other side with Allen Key(①) and Wrench(②) as shown in the picture.

**Do not fully tighten the Bolts.**

## Step 5



Place the Double Bed on a LEVEL SURFACE to check for wobbles.

If it wobbles sit on the Double Bed. This action will help the parts and Bolts reach full alignment status. Then carefully get off the Double Bed and with help from an adult partner turn the Double Bed over.

Then, proceed to tighten all Bolts at all joints in a sequential manner.

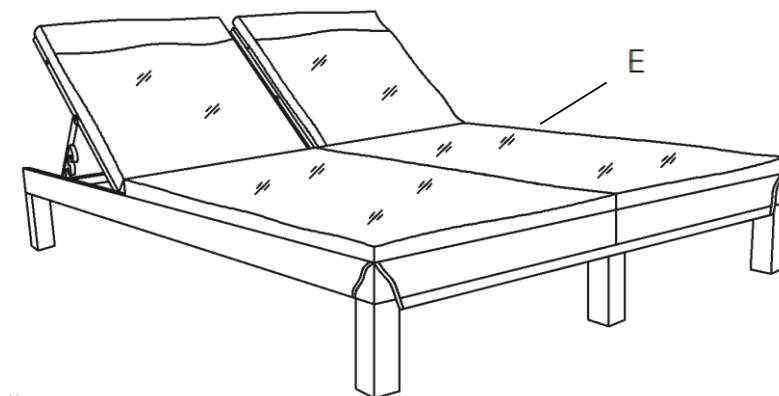
**When tightening the Bolts, tighten sequentially.**

**DO NOT tighten any Bolt fully and then move on towards the next one.**

**This could cause the frame to warp.**

**If there are still wobbles, loosen the Bolts and execute this same action.**

## Step 6























Put the Cushion(E) onto the Double Bed.

Your Double Bed is ready for use.

**This Double Bed can only be used on a flat, level surface.**

## Care & Maintenance

-   Do not put hot items directly on furniture surface
  -   Do not clean furniture with harsh cleansers or polish.
  -   To obtain the longest lifespan of your outdoor products, minimizing exposure to direct sunlight is recommended.
  -   Children should not climb or jump on the furniture.
  -   Do not write on furniture without a padded barrier to protect the surface.
  -   To obtain the longest lifespan of your outdoor products, avoid extended and lengthy exposure to rain, snow, and direct sunshine. Whenever possible cover the product and /or place under patio or awnings.
  -   Not for commercial use. For residential use only .
  -   Stains may be removed with mild soap solution and damp cloth.
  -   Keep away from sources of ignition.
- 
-   Dust and pick-up spills using a clean, non-colored, lint-free cloth .

### What is Proposition 65?

Proposition 65 is a California law that requires warning labels on products that may contain one of more than 800-plus chemicals or ingredients that the California Office of Environmental Health Hazard Assessment (OEHHA) has deemed to cause cancer or other reproductive toxicity.

Chemicals and elements on this list include wood dust, brass, and other everyday substances, which can be found in very common household items, such as: lamps, tableware, jewelry, crystal glasses, electric cords, beauty products, automobiles, and furniture.

### Why Did I Find a Proposition 65 Warning on My Home Goods Product?

We include Proposition 65 warnings on all of our products because there is always a chance that one of the 800-plus common chemicals and ingredients listed under this law could potentially be on our furniture or packing materials. We risk large fines under this law, if we don't include this warning.

### Should I worry?

We realize you may be worried finding this warning on our products, but we want to reassure you that the hazardous exposure limits for any of these chemicals have never been found on furniture products that we've shipped to our customers. Additionally, this warning label is very common and can be found on almost every piece of furniture sold in the state of California.

### Just How Common Are Proposition 65 Warnings?

Proposition 65 warnings have become so common in California that it is hard to take a trip to a local bank, grocery store, or restaurant without finding at least one warning. In fact, even the Disney Land Resort has a Proposition 65 warning:

