

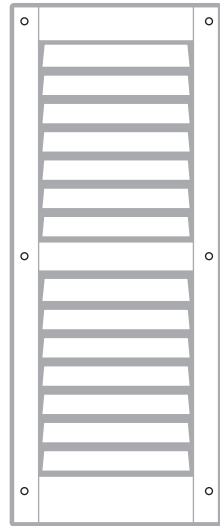
SHUTTER LOK PLACEMENT

Shutters Smaller Than 47"



* Shutters smaller than 47" require 4 shutter loks

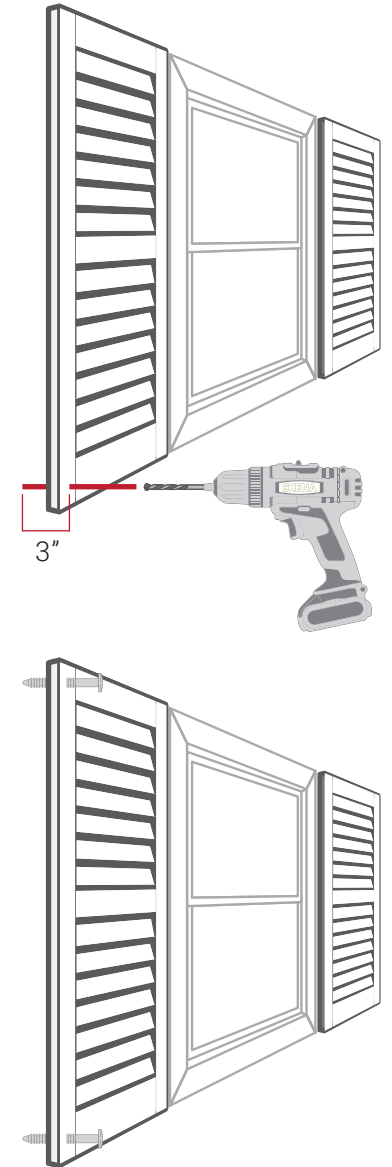
Shutters Larger Than 47"



* Shutters larger than 47" require 6 shutter loks

INSTALL INSTRUCTIONS

1. Place shutter next to window in desired location.
2. Shutters with heights through 47" require 4 fasteners per shutter as shown on the shutter to the left. Shutters over 47" in height require 6 fasteners per shutter as shown in the picture to the left.
3. Drill 1/4" diameter holes 3" deep at locations shown in step 2. When installing on any horizontal siding locate the hole so that you drill the siding at its high point. (Drill within 1" of the point at which the siding contacts the shutter.) See pictures for steps #3 and #4 clarification.
4. Insert fastener in hole in shutter and tap through the shutter and into the wall. Do not hit any harder than is necessary to seat it.
5. Make sure that the fastener is snug against the shutter at all points as to not dimple the shutter.



Painting:

The color of these shutters is guaranteed for 40 years not to chip, flake, or discolor. To achieve this the color has been molded into the shutter, making it unpaintable unless paintable(030 Paintable) shutters were ordered. For finishing paintable shutters use Sherwin Williams Duration or Superpaint.