

**KITCHEN SINK FAUCET  
K-7337**

**ADA**

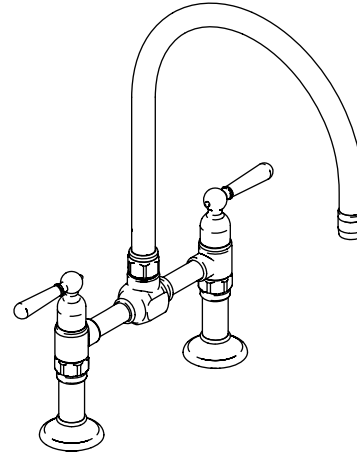
**Features**

- *Stainless steel construction*
- *Two quarter-turn washerless ceramic disc valves*
- *ADA compliant lever handles*
- *For 8" (20.3 cm) centers*
- *360° spout rotation with 10-3/4" (27.3 cm) clearance below spout*
- *10-1/4" (26 cm) gooseneck swing spout reach*
- *Lower flow aerator options available (refer to the Kohler Price Book)*
- *2.2 gpm (8.3 lpm) gallon flow rate*

**Codes/Standards Applicable**

Specified model meets or exceeds the following at date of manufacture:

- *ADA*
- *ASME A112.18.1/CSA B125.1*
- *ICC/ANSI A117.1*
- *NSF 61*
- *Energy Policy Act of 1992*
- *All applicable US Federal and State material regulations*



**Colors/Finishes**

- BS: Brushed Stainless Steel
- S: Polished Stainless Steel

**Accessories:**

- BS: Brushed Stainless Steel
- S: Polished Stainless Steel

**Specified Model**

Model	Description	Colors/Finishes	
K-7337-4	Deck-mount bridge kitchen sink faucet	<input type="checkbox"/> BS	<input type="checkbox"/> S
<b>Recommended Accessories</b>			
K-7344-4	HiRise independent sidespray with lever handle	<input type="checkbox"/> BS	<input type="checkbox"/> S
K-7346	HiRise soap/lotion dispenser	<input type="checkbox"/> BS	<input type="checkbox"/> S

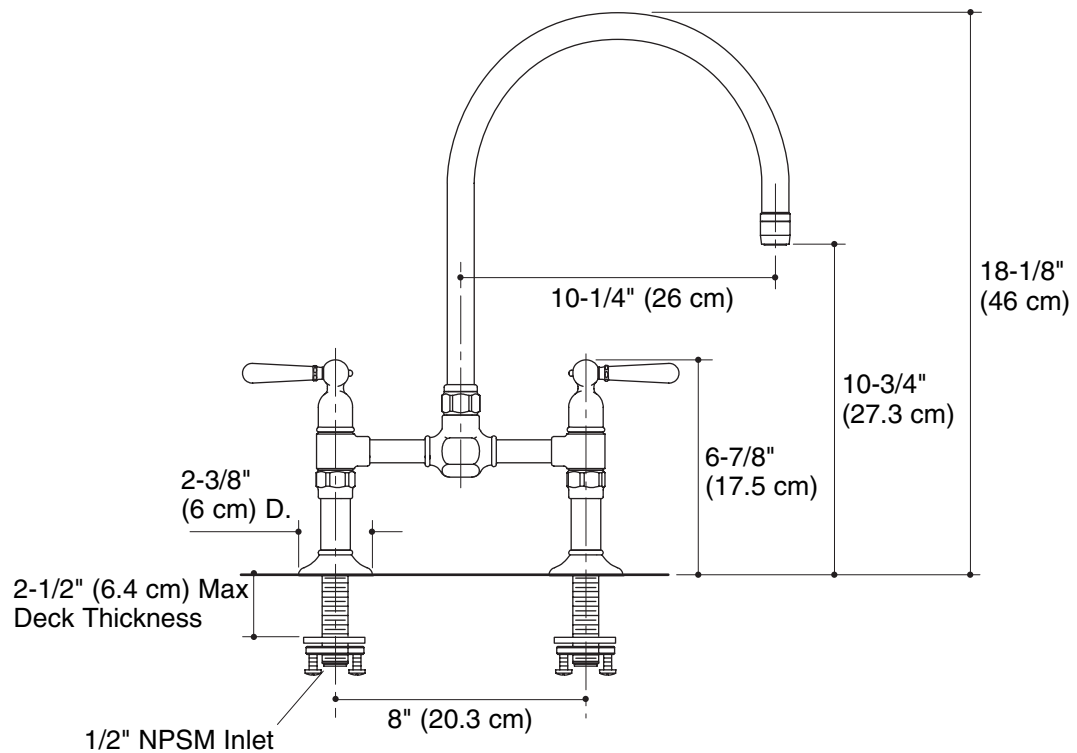
**Product Specification**

The deck-mount bridge kitchen sink faucet shall be constructed of stainless steel. Product shall have a maximum flow rate of 2.2 gallons (8.3 L) per minute with lower flow aerator options available (refer to the Kohler Price Book). Product shall feature two quarter-turn washerless ceramic disc valves, Faucet shall have feature a 360° spout rotation with 10-3/4" (27.3 cm) clearance below spout, 10-1/4" (26 cm) gooseneck swing spout reach, and ADA compliant lever handles. Product shall be for 8" (20.3 cm) centers. Deck-mount bridge kitchen sink faucet shall be Kohler Model K-7337-4-\_\_\_\_\_.

# HIRISE™

## Installation Notes

Install this product according to the installation guide.



## Product Diagram