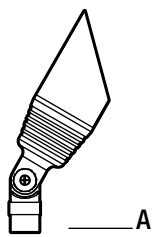
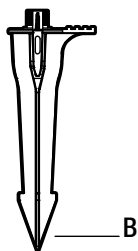


PACKAGE CONTENTS



A – Lamp body x1



B – Ground stake x1



C – Quick connector (with 24 in. wire attached to lamp body) x1

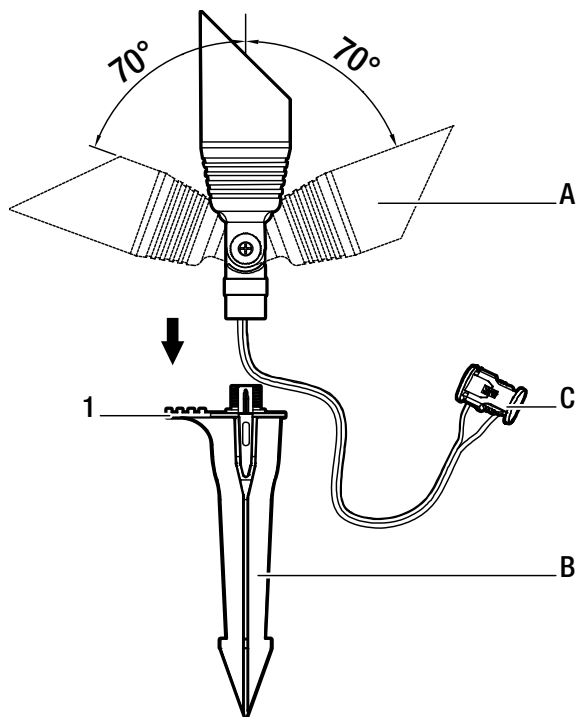
Assembly and Installation

1 Attaching and installing the light



WARNING: Never push the fixture into the ground by the lamp body (A) or use a hammer to insert the ground stake (B) into the ground.

- Insert the wire with the quick connector (C) into the groove located on the top of the ground stake (B).
- Prepare a hole in the installation location. Use a tool such as a screwdriver to prepare the installation hole to ensure that the hole is not larger than the ground stake (B).
- Install the fixture in the ground by pushing on the foot step (1) on the ground stake (B). Do not push on the lamp body (A).
- The lamp body can rotate up and down 140°.



2 Connecting the wires



WARNING: The wire connector (C) contacts have sharp edges for piercing the main low voltage cable. To avoid injury, do not touch the metal contacts.

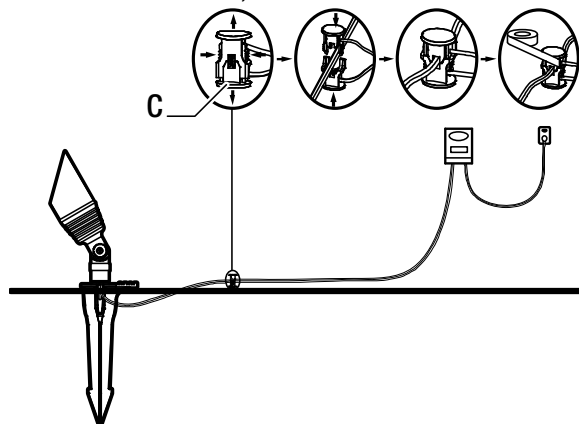


CAUTION: The wire from low voltage power unit should be 12-16 AWG type underground low Energy Circuit Cable.



IMPORTANT: Protect the wiring by routing it in close proximity to the light fitting, or next to a building structure such as a house or a deck. The landscape wire and connector can also be hidden under stone or buried under grass at a maximum depth of 6 in. (15.24 cm). Do not install the fixture within 10 ft. of a pool, spa, or fountain. Do not submerge the fixture in water.

- Place the wire connector (C) on opposite sides of the low voltage cable (not included) from the transformer (not included) where the fixture will be located. Align and fit the main low voltage cable vertically to the slot of the wire connector (C).
- Press the wire connector (C) together until it is locked around the main low voltage cable. The pre-set prongs will pierce the cable insulation and establish contact with the electrical wire inside.
- Once the wire connector (C) is in place, it is recommended to wrap it with electrical tape (not included).
- After all fixtures are installed, turn on the transformer.



Care and Cleaning

- Clean the fixture with a soft dry cloth.
- Do not use any cleaners with chemicals, solvents or harsh abrasives.

Troubleshooting

Problem	Possible Cause	Solution
The fixture will not light.	There is no power.	Check the outlet and ensure that a breaker or GFCI circuit has not been tripped.
	There is a disconnection or break in the wire.	Follow the wires from the fixture and ensure a continuous connected path back to the transformer.
	The transformer setting is incorrect.	Check the settings on the transformer.
The light flickers (one fixture).	There is a loose wire connector to the fixture.	Tighten the wire connector and ensure the metal contacts pierce the insulation on the low voltage cable from the transformer.
The lights flicker (all fixtures).	There is a loose connection at the transformer.	Unplug the transformer from the outlet and visually inspect the positive and negative connecting points. Each wire should be securely screwed in and not in contact with any other.

Warranty

WHAT IS COVERED

The manufacturer warrants this lighting fixture to be free from defects in materials and workmanship for a period of ten (10) years from date of purchase. This warranty applies only to the original consumer and only to products used in normal use and service. If this product is found to be defective, the manufacturer's only obligation, and your exclusive remedy, is the repair or replacement of the product at the manufacturer's discretion, provided that the product has not been damaged through misuse, abuse, accident, modifications, alterations, neglect or mishandling.

WHAT IS NOT COVERED

This warranty shall not apply to any product that is found to have been improperly installed, set-up, or used in any way not in accordance with the instructions supplied with the product. This warranty shall not apply to a failure of the product as a result of an accident, misuse, abuse, negligence, alteration, or faulty installation, or any other failure not relating to faulty material or workmanship. This warranty shall not apply to the finish on any portion of the product, such as surface and/or weathering, as this is considered normal wear and tear.

The manufacturer does not warrant and specifically disclaims any warranty, whether express or implied, of fitness for a particular purpose, other than the warranty contained herein. The manufacturer specifically disclaims any liability and shall not be liable for any consequential or incidental loss or damage, including but not limited to any labor / expense costs involved in the replacement or repair of said product. Contact the Customer Service Team at 1-800-986-3460 or visit www.homedepot.com/homedecorators.

FCC Warning

Please note that changes or modifications not expressly approved by the party responsible for compliance could void the user's authority to operate the equipment.

NOTE: This equipment has been tested and found to comply with the limits for a Class B digital device, pursuant to part 15 of the FCC Rules. These limits are designed to provide reasonable protection against harmful interference in a residential installation. This equipment generates, uses and can radiate radio frequency energy and, if not installed and used in accordance with the instructions, may cause harmful interference to radio communication.

If this equipment does cause harmful interference to radio or television reception, which can be determined by turning the equipment off and on, the user is encouraged to try to correct the interference by one or more of the following measures:

- Reorient or relocate the receiving antenna.
- Increase the separation between the equipment and receiver.
- Connect the equipment into an outlet on a circuit different from that to which the receiver is connected.
- Consult the dealer or an experienced radio/TV technician for help.