







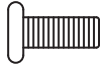



Cast Aluminum Coffee Table  
CO6203






# PARTS LIST

<p><b>A</b></p> 	<p><b>B</b></p> 	<p><b>C</b></p> 
<p>Table Top 1 PC</p>	<p>Leg 4 PCS</p>	<p>Stretcher 1 PC</p>

# HARDWARE LIST

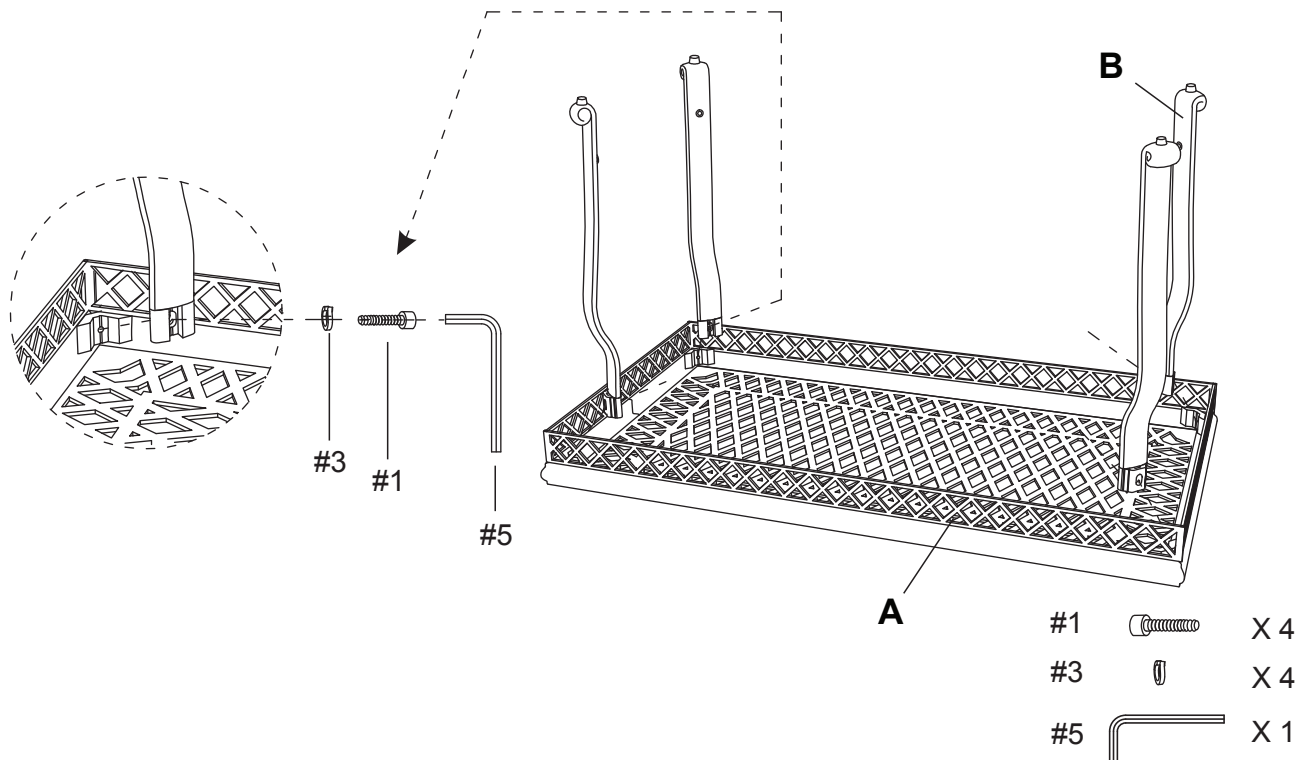
<p><b>#1</b></p> 	<p><b>#2</b></p> 	<p><b>#3</b></p> 	<p><b>#4</b></p> 	<p><b>#5</b></p> 
<p>M8X28mm Long Bolt 4 PCS</p>	<p>M6X18mm Short Bolt 4 PCS</p>	<p>M8mm Spring Washer 4 PCS</p>	<p>M6mm Allen Key 1 PC</p>	<p>M8mm Allen Key 1 PC</p>

# EXTRA HARDWARE LIST

<p><b>#1</b></p> 	<p><b>#2</b></p> 	<p><b>#3</b></p> 
<p>M8X28mm Long Bolt 1 PC</p>	<p>M6X18mm Short Bolt 1 PC</p>	<p>M8mm Spring Washer 1 PC</p>

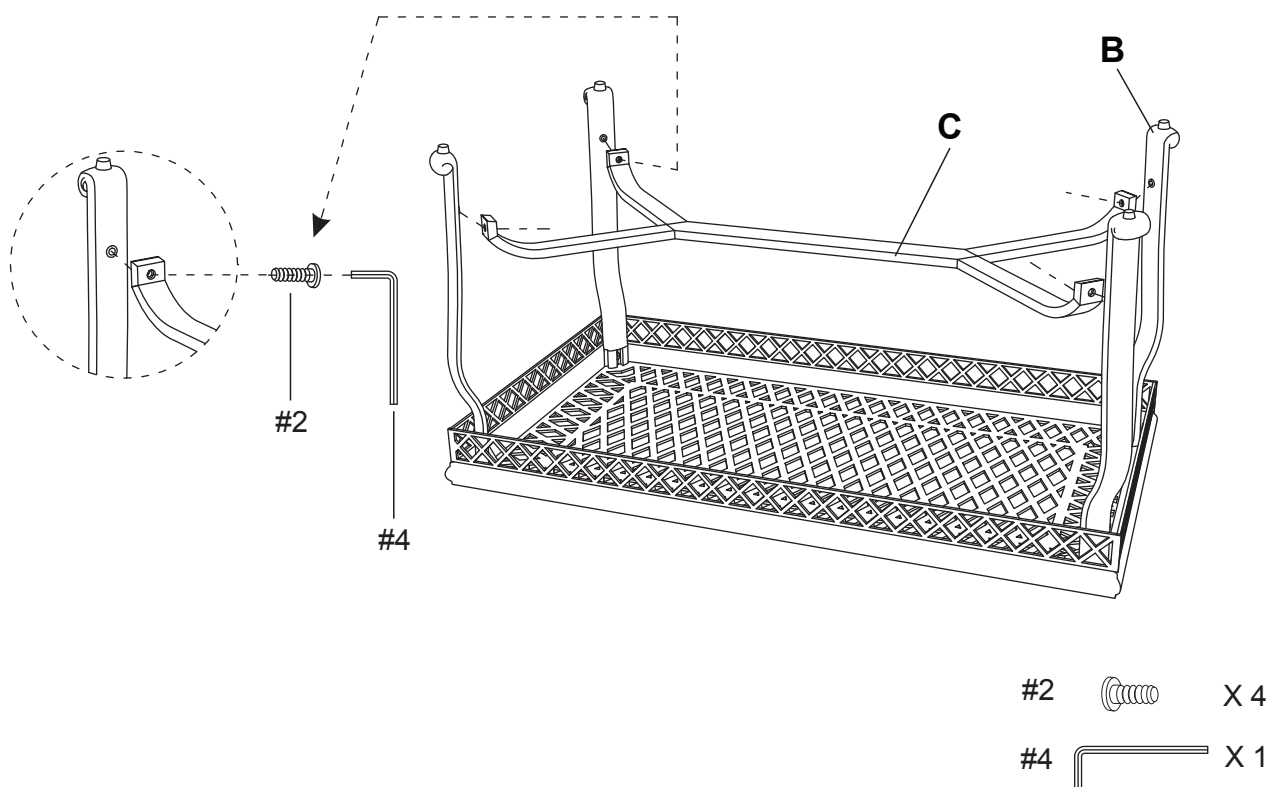
Step 1: Attach legs (part #B) to table top (part #A) using long bolts (part #1), spring washers (part #3) and allen key (part #5).

NOTE: Please do not fully tighten bolts until unit is fully assembled.



Step 2: Attach stretcher (part #C) to legs (part #B) using short bolts (part #2) and allen key (part #4).

NOTE: Please fully tighten all bolts at this time.



Step 3: Carefully turn the table upright.

