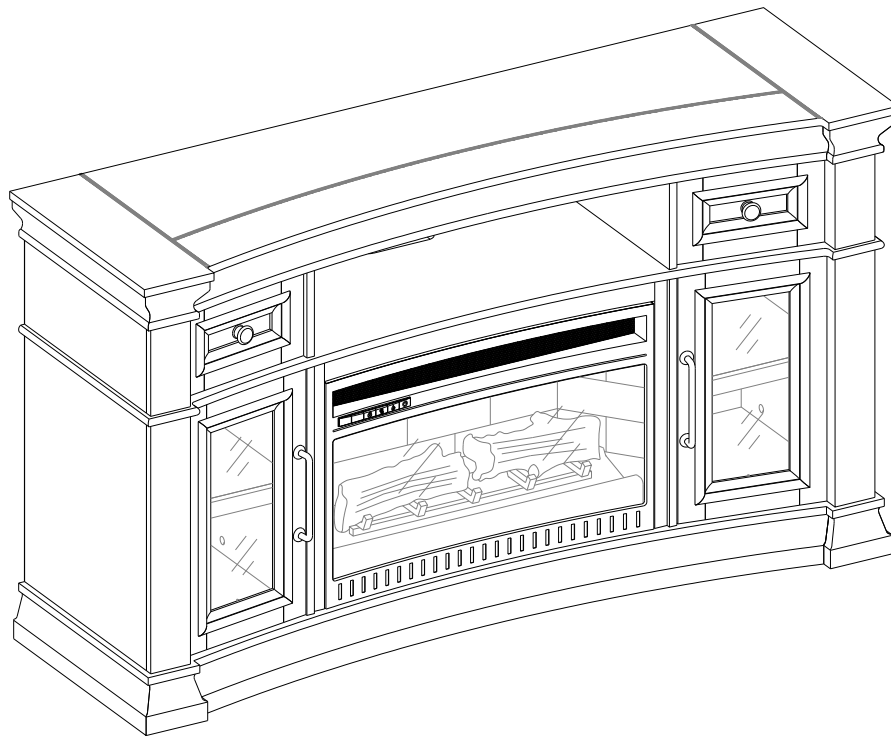


ASSEMBLY INSTRUCTIONS

Oak Park 60in Concave Media Console Infrared Electric Fireplace in Coffee Finish



**Questions, problems, missing parts? Before returning to the store,
call Home Decorators Collection Customer Service**

8 a.m. - 7 p.m., EST, Monday-Friday

9 a.m. - 6 p.m., EST, Saturday

1-800-986-3460

HOMEDEPOT.COM/HOMEDECORATORS

THANK YOU

We appreciate the trust and confidence you have placed in Home Decorators Collection through the purchase of this fireplace console. We strive to continually create quality products designed to enhance your home. Visit us online to see our full line of products available for your home improvement needs. Thank you for choosing Home Decorators Collection!

Table of Contents


Table of Contents.....2
Safety Information.....2
Warranty2
Pre-Assembly.....2
 Planning Assembly.....2
 Tools required.....2

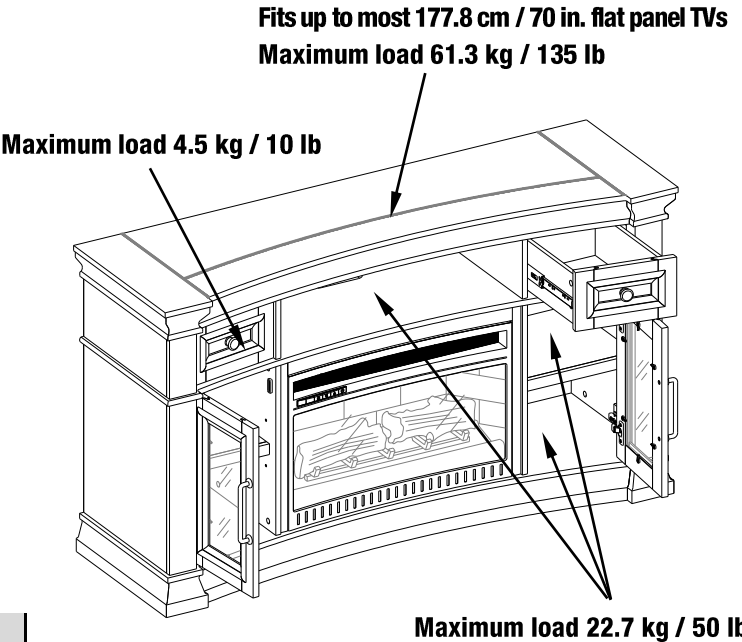
Hardware Included.....3
Package Contents4
Assembly.....5
Care and Maintenance.....15

Safety Information

Please read and understand these instructions before assembling and using this console. Save these instructions for future reference.

MAXIMUM RECOMMENDED WEIGHT LOADS

 **WARNING:** This unit is not intended for use with CRT TVs. Use only with flat panel TVs and audio/video equipment meeting recommended size and weight limits. Never use with larger/heavier than recommended flat panel TVs or equipment. To avoid instability, place flat panel TV in the center of the unit; the base of the television must be able to rest on the supporting surface of the unit without over-hanging the edges. Improperly positioned flat panel TVs, or flat panel TVs or other equipment that exceeds recommended size and weight limits could fall off or break the unit, causing possible serious injury.



Warranty

We are confident that you will be delighted with this purchase. Should this product be defective in workmanship or materials, or fail under normal use, we will repair or replace it for a period of up to one (1) year from date of purchase.

This warranty gives you specific rights and you may also have other rights which vary from state to state.

Contact the Customer Service Team at 1-800-986-3460 or visit www.HomeDepot.com/homedecorators.

Pre-Assembly

PLANNING ASSEMBLY

Compare all parts with the Hardware Included and Package Contents list. If any part appears missing or damaged, do not assemble this product and contact the Customer Service Team at 1-800-986-3460.

TOOLS REQUIRED



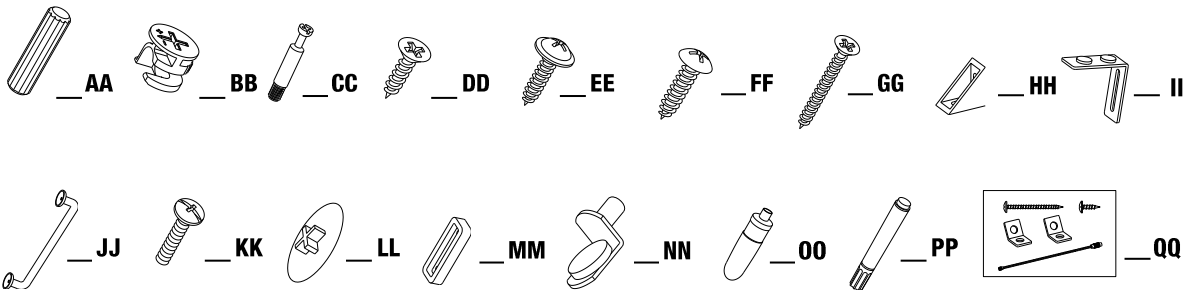
Phillips
screwdriver
(not provided)

Pre-Assembly (continued)

HARDWARE INCLUDED



NOTE: Hardware not shown to actual size.

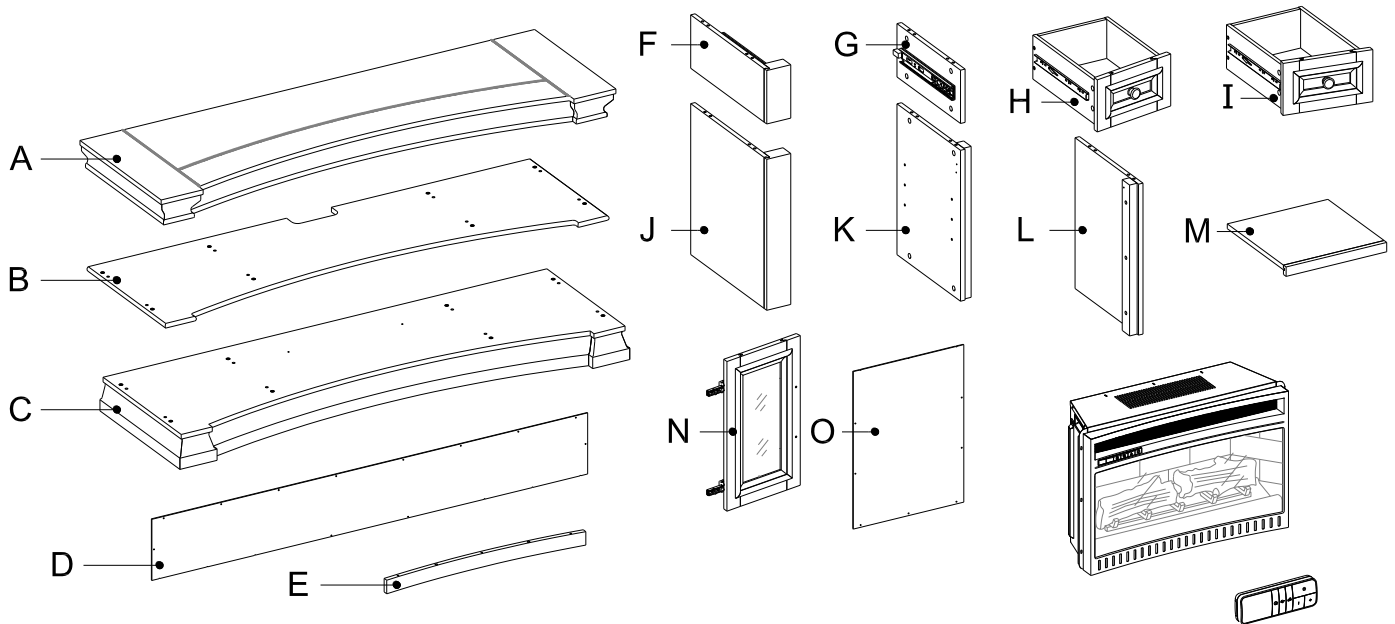


Part	Description	Quantity
AA	Wood dowel	34 + 1 extra
BB	Cam lock	32 + 1 extra
CC	Cam bolt	32 + 1 extra
DD	Short wood screw	12 + 1 extra
EE	Washer head screw	34 + 1 extra
FF	Pan head screw	4 + 1 extra
GG	Long wood screw	3 + 1 extra
HH	Corner connector	2
II	L-shaped metal brace	2

Part	Description	Quantity
JJ	Handle	2
KK	Handle bolt	4
LL	Cam lock cover	16 + 1 extra
MM	Door Stopper	2
NN	Shelf pin	8 + 1 extra
OO	Glue	1
PP	Touch-up pen	1
QQ	Tipping restraint hardware kit	2

Pre-Assembly (continued)

PACKAGE CONTENTS



Part	Description	Quantity
A	Top panel	1
B	Fixed shelf	1
C	Base	1
D	Upper back panel	1
E	Middle crossbar	1
F	Upper side panel	2
G	Upper partition panel	2
H	Left drawer	1
I	Right drawer	1

Part	Description	Quantity
J	Lower side panel	2
K	Left lower partition panel	1
L	Right lower partition panel	1
M	Adjustable shelf	2
N	Door	2
O	Lower back panel	2
	Fireplace insert	1
	Remote control with battery	1

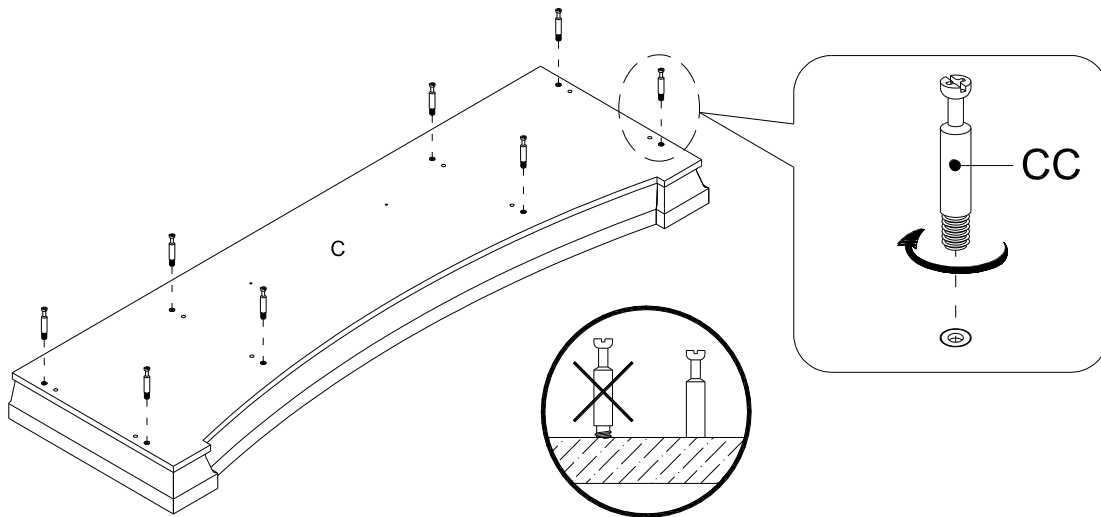
Assembly

1 Screwing the cam bolts



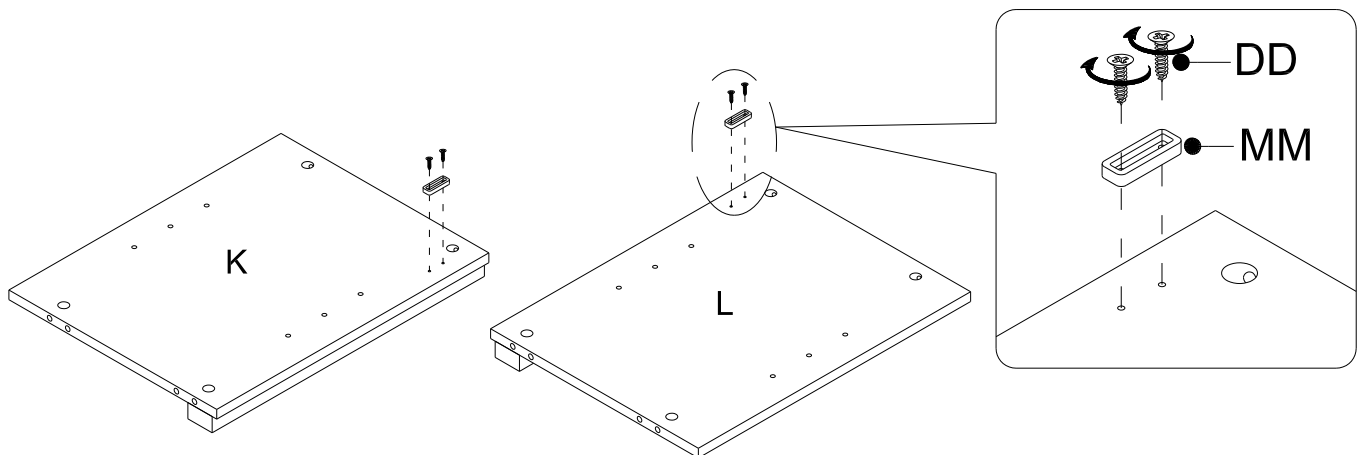
NOTE: Do not fully tighten all bolts until you finish assembling all parts. Once assembled, go back and fully tighten all bolts. This will make the assembly easier.

- Unpack the unit and confirm that you have all the hardware and required parts. Assemble the unit on a carpeted floor or the empty carton to avoid any scratches.
- Securely screw the cam bolts (CC) into the designated plastic bushings on the base (C). Fully tighten with a Phillips screwdriver.



2 Attaching the door stoppers

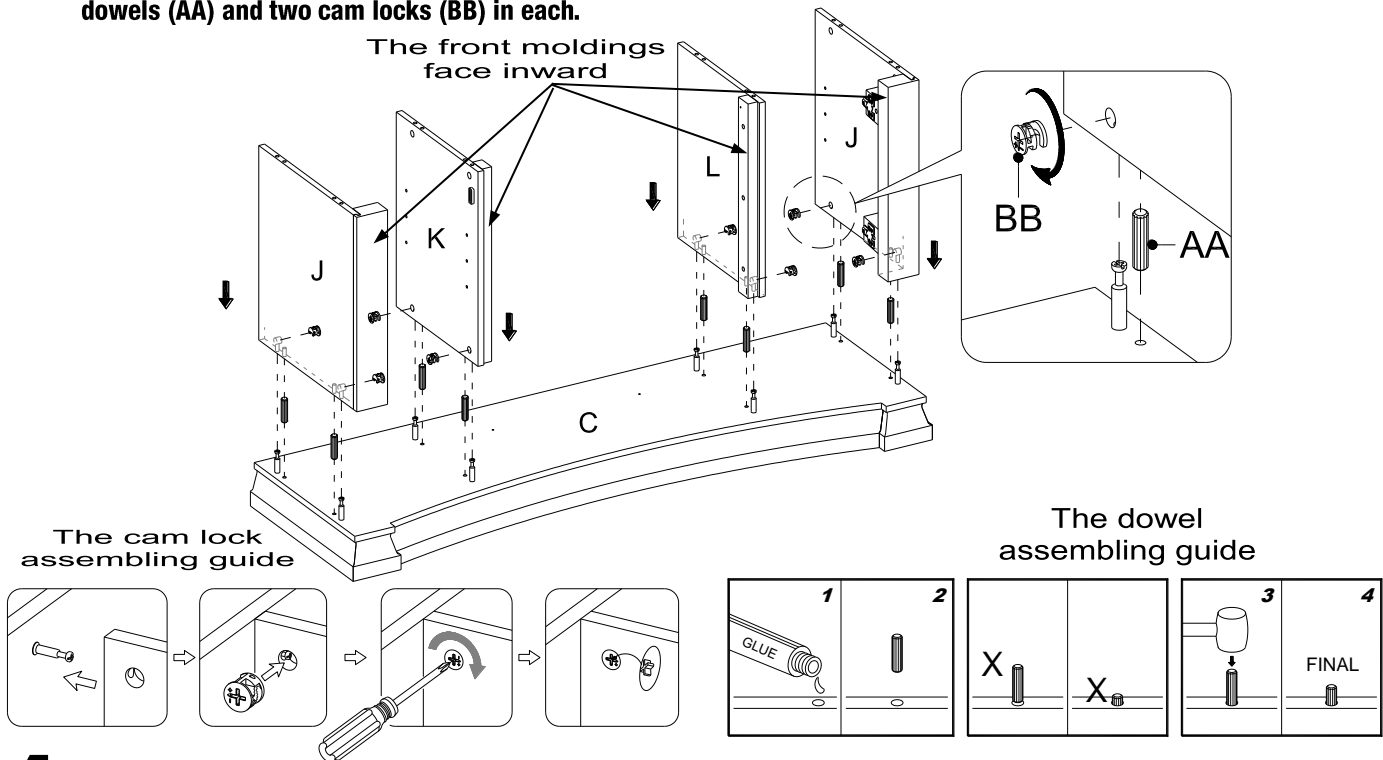
- Attach the door stoppers (MM) to the partition panels (K and L) by using two short wood screws (DD) in each.



Assembly (continued)

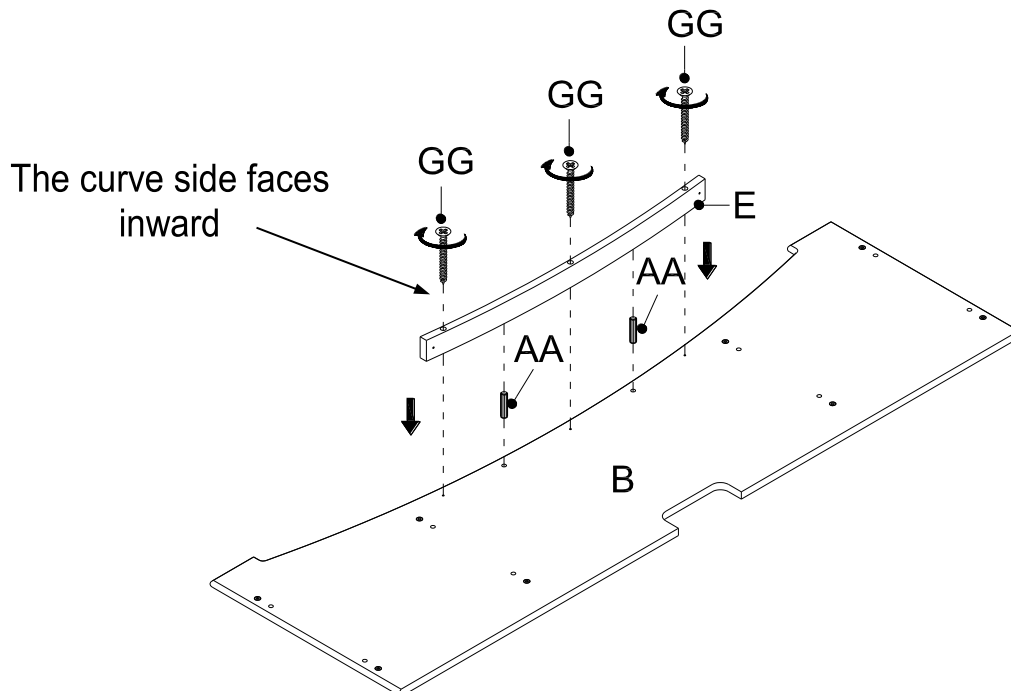
3 Attaching the lower side panels and the lower partition panels

- Align and attach the lower side panels (J) and the lower partition panels (K and L) to the base (C) by using two wood dowels (AA) and two cam locks (BB) in each.



4 Attaching the middle crossbar

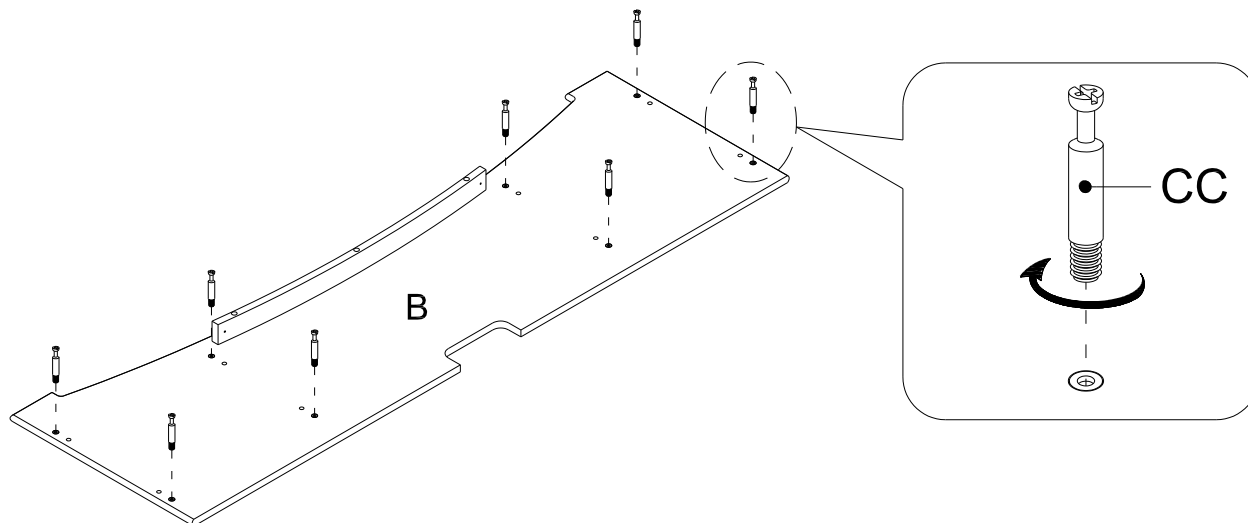
- Attach the middle crossbar (E) to the fixed shelf (B) by using two wood dowels (AA) and three long wood screws (GG).



Assembly (continued)

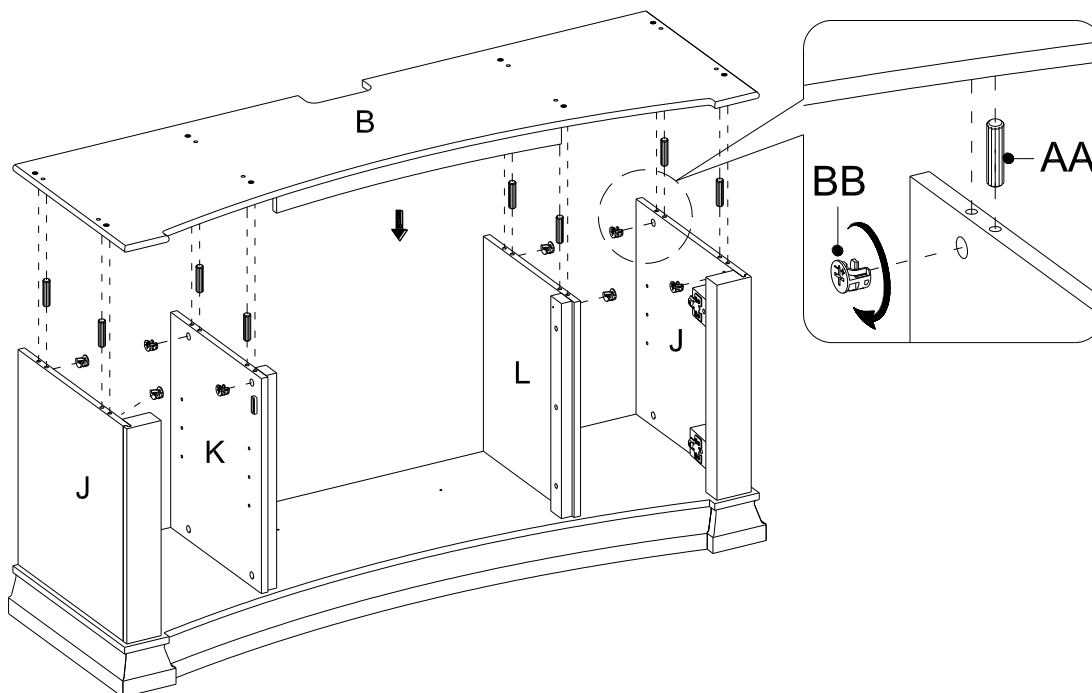
5 Screwing the cam bolts

- Securely screw the cam bolts (CC) into the designated plastic bushings on the bottom side of fixed shelf (B). Fully tighten with a Phillips screwdriver.



6 Installing the fixed shelf

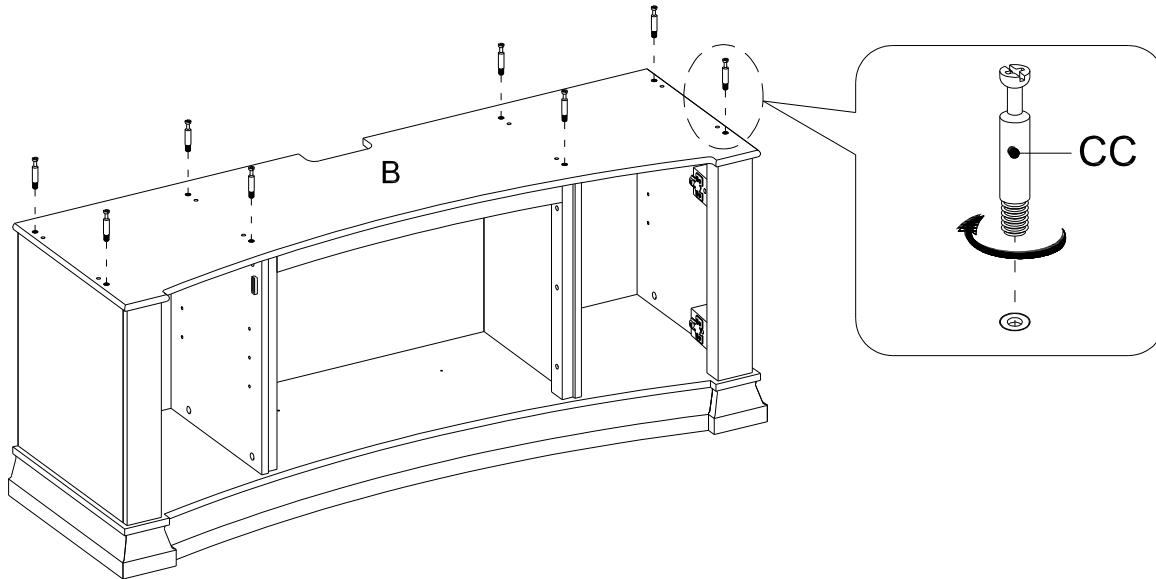
- Glue eight wood dowels (AA) into the top inner holes on vertical panels (J, K and L). Position the fixed shelf (B) onto the inserted wood dowels (AA) and fasten it in place with eight cam locks (BB).



Assembly (continued)

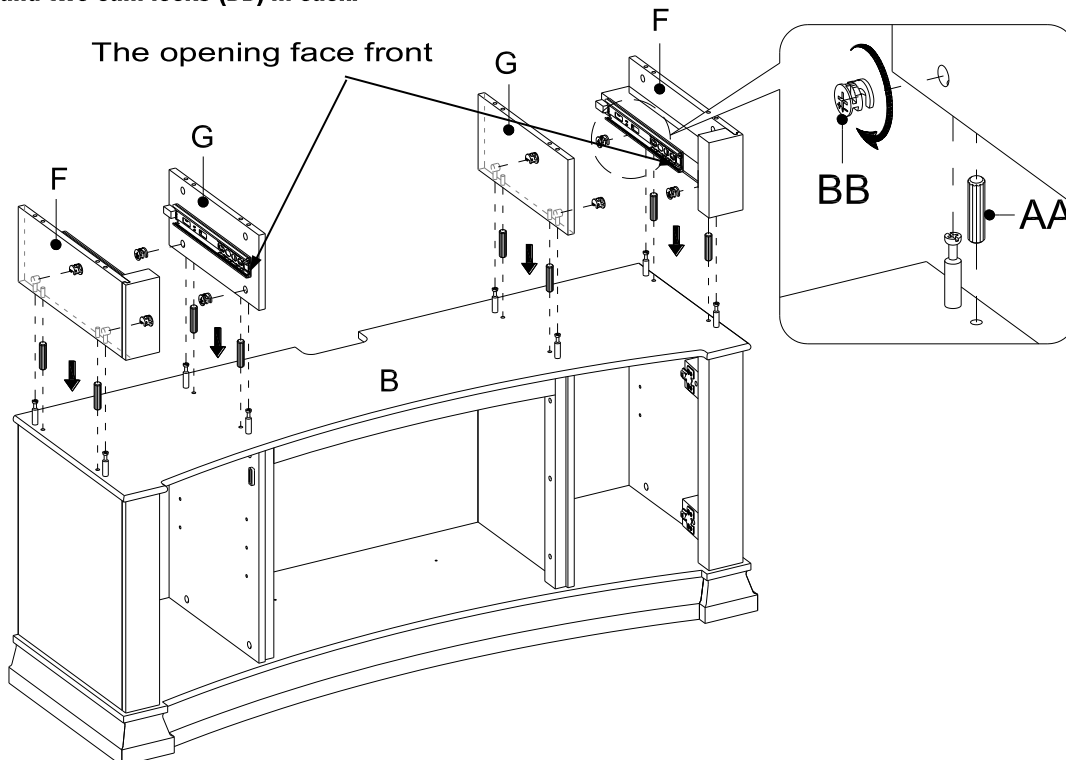
7 Screwing the cam bolts

- Securely screw the cam bolts (CC) into the designated plastic bushings on the top of fixed shelf (B). Fully tighten with a Phillips screwdriver.



8 Attaching the upper side panels and partition panels

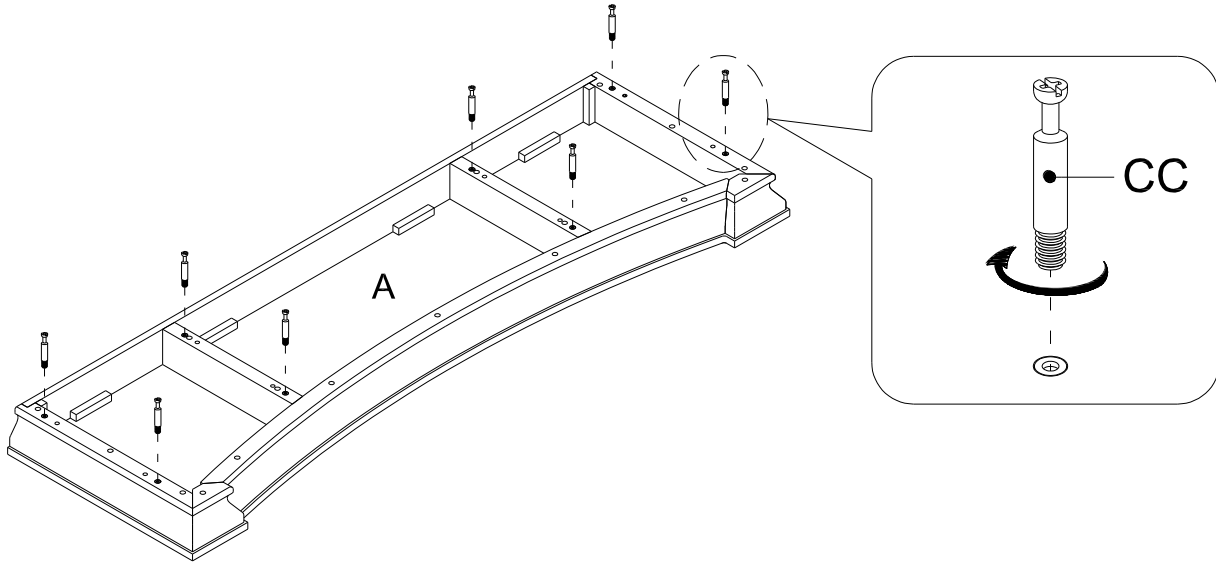
- Align and attach the upper side panels (F) and partition panels (G) to the fixed shelf (B) by using two wood dowels (AA) and two cam locks (BB) in each.



Assembly (continued)

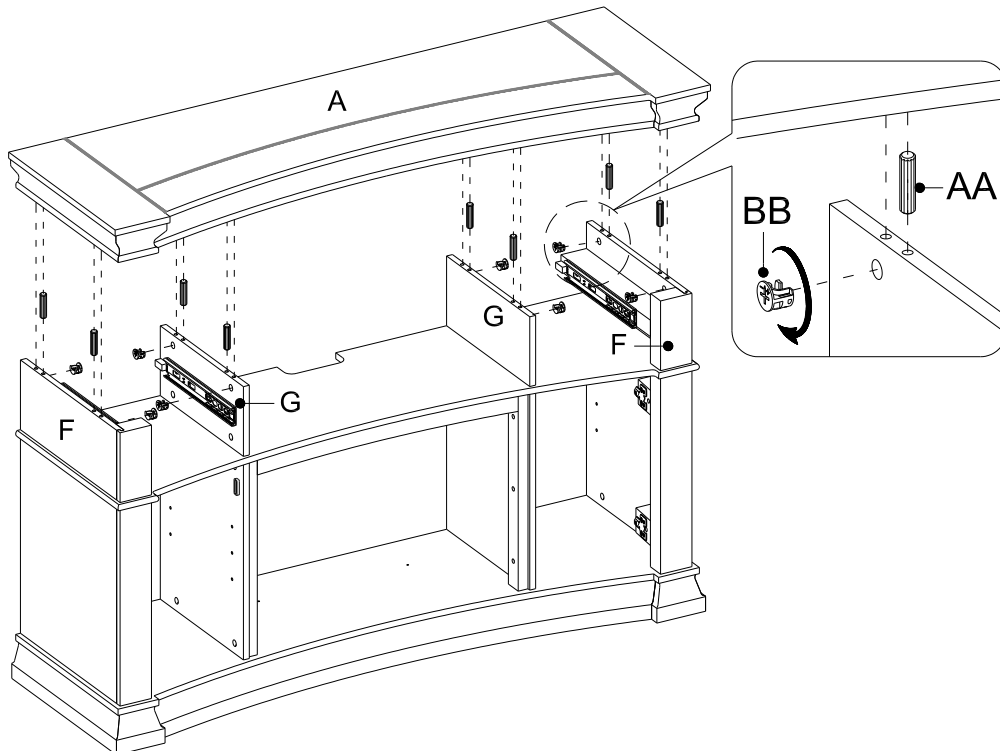
9 Screwing the cam bolts

- Securely screw the cam bolts (CC) into the designated plastic bushings on the top panel (A). Fully tighten with a Phillips screwdriver.



10 Installing the top panel

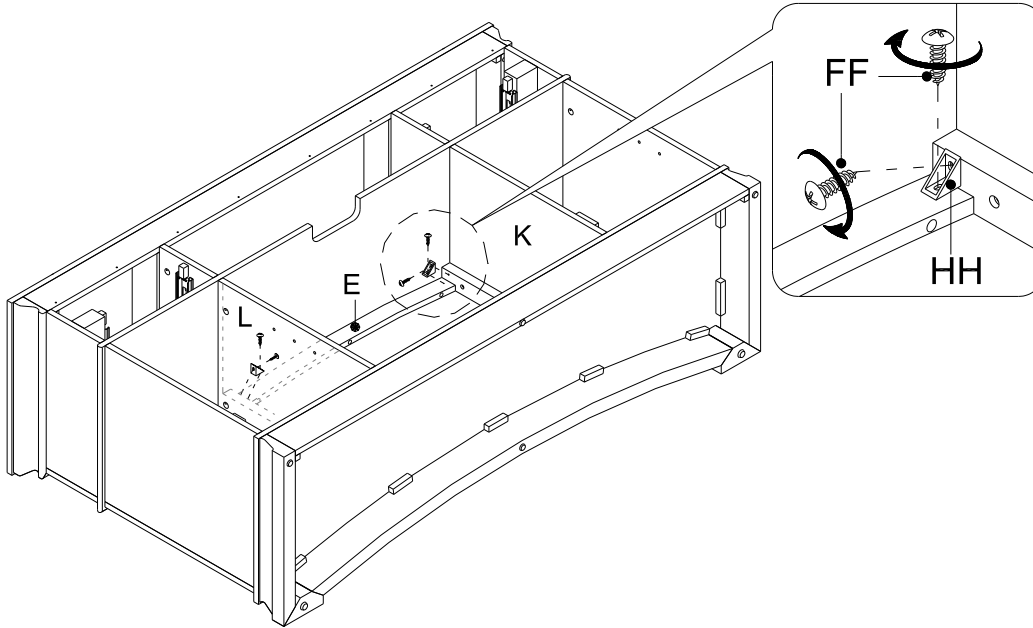
- Glue eight wood dowels (AA) into the top inner holes on vertical panels (F and G). Position the top panel (A) onto the inserted wood dowels (AA) and fasten it in place with eight cam locks (BB).



Assembly (continued)

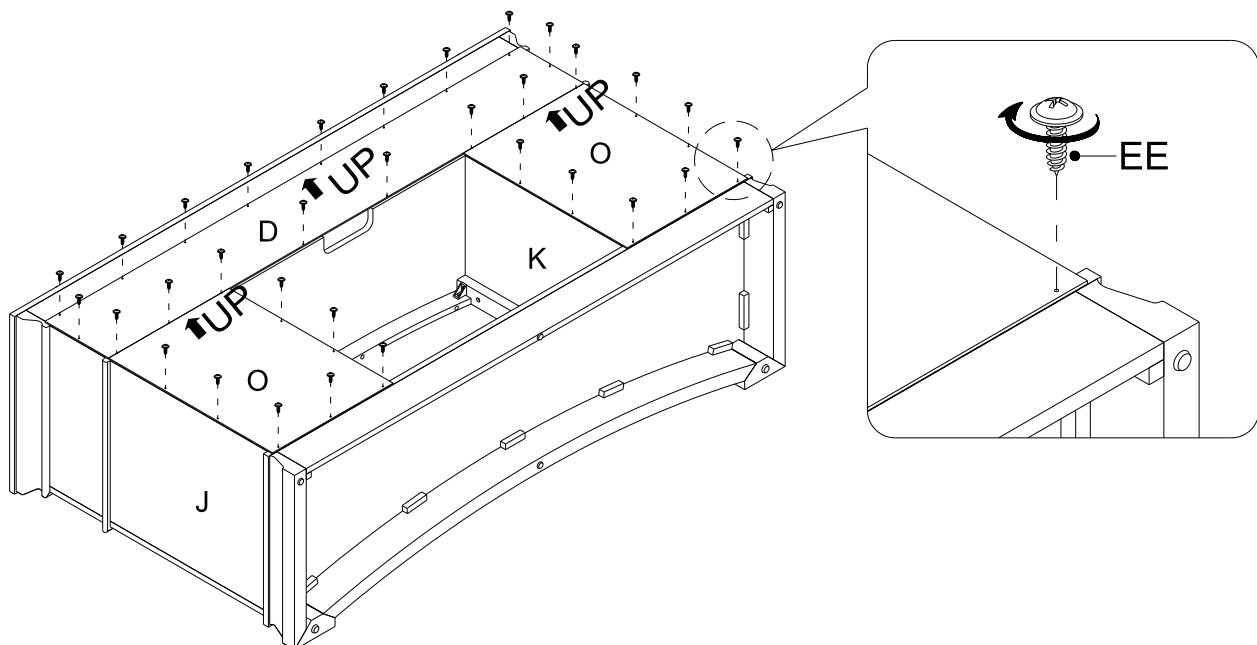
11 Attaching the corner connectors

- Fasten the middle crossbar (E) to the moldings of the lower partition panels (K and L) by attaching two corner connectors (HH) at the joints, using two pan head screws (FF) in each.



12 Attaching the back panels

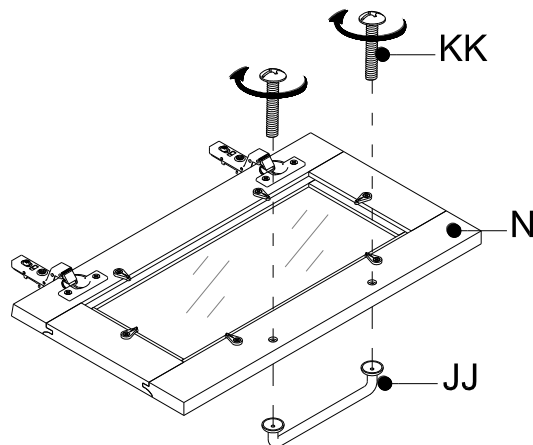
- Pick up the upper back panel (D) and align the drilled holes against the upper long edge with the pilot holes on the back stretcher of the top panel (A). Attach the upper back panel (D) in place using the provided washer head screws (EE).
- Align and attach two lower back panels (O) to the lower side panels (J) and lower partition panels (K and L) with the provided washer head screws (EE), using the pilot holes as a guide.



Assembly (continued)

13 Installing the handle

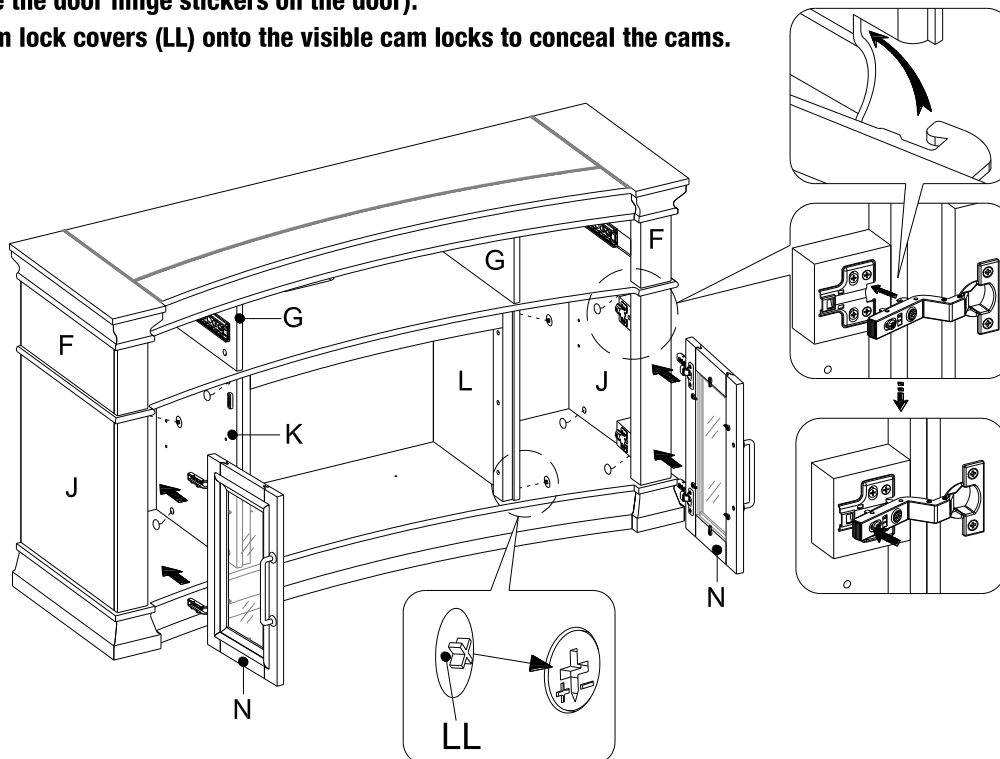
- Attach one handle (JJ) to the front side of each door (N) with the provided handle bolts (KK).



x 2

14 Attaching the doors and cam lock cover

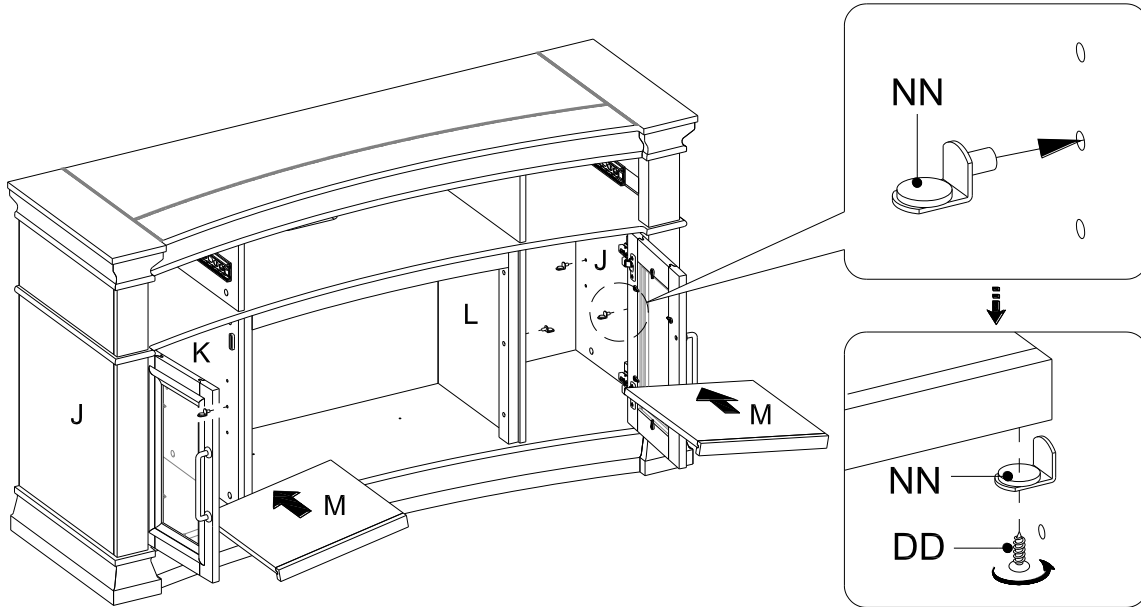
- Pick up one Door (N) and attach it to one lower Side Panel (J) by engaging both door hinges together. Please follow the steps below to combine the door hinges together.
 - a). Extend both hinges of the Door (N) to open position and align the back hooks with the end slot of Hinge Bases that are pre-attached on the Side Panel (J).
 - b). Once the back hooks are inserted into place, press the end of hinge to snap the front tabs into the middle slots of the Hinge Bases.
- Repeat the same procedure to install the other Side Door (N) to the other lower Side Panel (J).
- Open and close the doors to make sure they are aligned and shut correctly. If necessary, adjust the screws for a good fit (see the door hinge stickers on the door).
- Plug the cam lock covers (LL) onto the visible cam locks to conceal the cams.



Assembly (continued)

15 Installing the adjustable shelves

- Insert four shelf pins (NN) into the desired holes inside each side compartment. Tilt and rest the adjustable shelves (M) onto the shelf pins (NN) and secure in place with the short wood screws (DD).



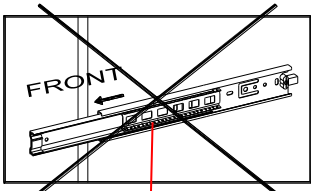
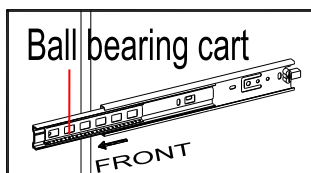
16 Installing the drawers

- Insert the drawer into the frame. Extend the ball bearing slide tracks on the panels all the way forward (including ball bearing cart). Then align the slide runners on the drawer with the slide tracks and push the drawer carefully inside until it stops.

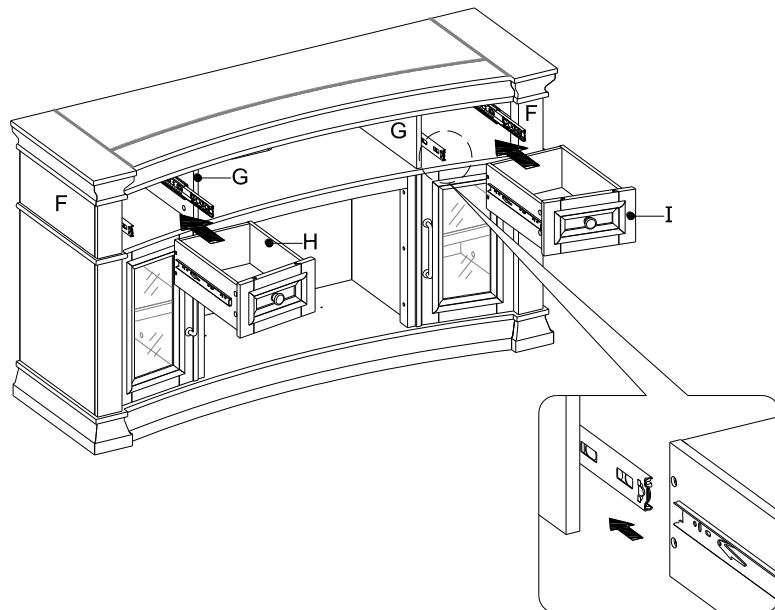


NOTE: If the drawer does not go in smoothly, please take it out and repeat the step. If you need to remove the drawer, please pull the drawer all the way out, then simultaneously push the plastic release lever of the ball bearing slides up on one side and down on the other side, and then pull it completely out.

Drawer Installation



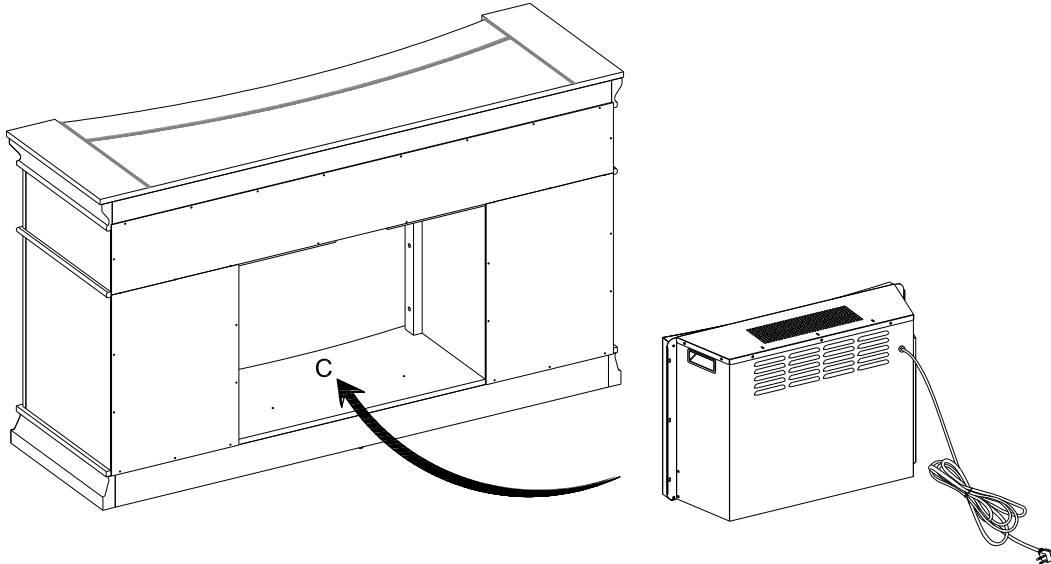
Ball bearing cart



Assembly (continued)

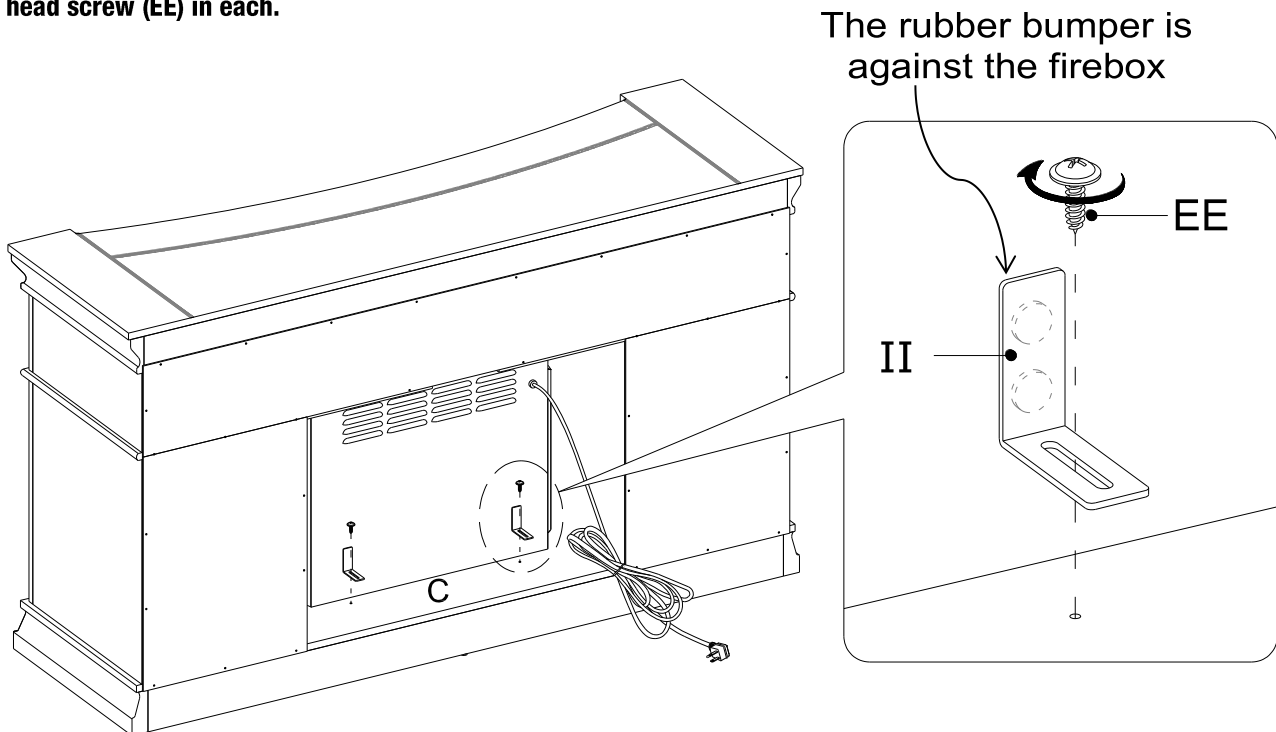
17 Installing the fireplace insert

- Lift the fireplace insert carefully into the back of the assembled mantel and center it in the opening. **DO NOT** drag the insert across the base (C) as it may scratch the unit.



18 Attaching the L-shaped metal braces

- Using the pilot holes as a guide, align and attach two L-shaped metal braces (II) to the base (C) by screwing one washer head screw (EE) in each.



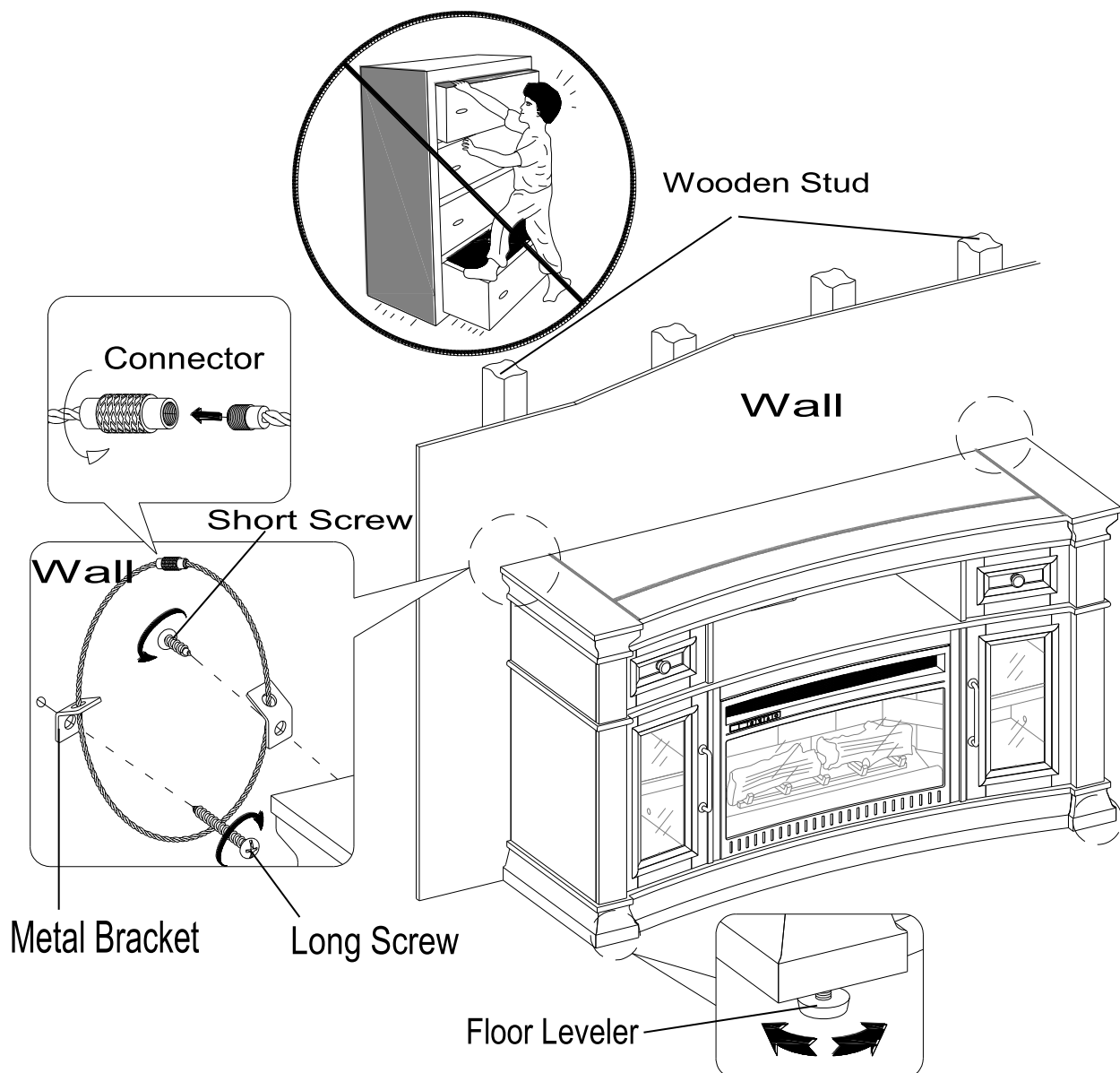
Assembly (continued)

19 Installing the tipping restraint hardware



WARNING: Young children can be seriously injured by tipping furniture. You must install the tipping restraint hardware with the unit to prevent the unit from tipping, causing any accidents or damage. The tipping restraints are intended only as a deterrent, they are not a substitute for proper adult supervision. The tipping restraints are not earthquake restraints. If you wish to add the extra security of earthquake restraints, they must be purchased and installed separately.

- With assistance, position the assembled fireplace at the desired location against a wall. In case of uneven floor, floor levelers are provided at the bottom of the mantel. If necessary, adjust the floor levelers by hand to correct tilting and/or level the doors, until the unit is level.
- Follow the instructions printed on the plastic bag containing the tipping hardware to attach the tip-over restraint to the unit and the wall.
- Connect the fireplace to the power transformer. Follow the operating manual for the electric fireplace insert to control your fireplace.



Care and Maintenance

A Touch-up Pen has been provided to repair any small nicks or scratches that may occur during assembly or shipping. To clean and care for your furniture:

- Use a soft, clean cloth that will not scratch the surface when dusting.
- Use of furniture polishes is not necessary. Should you choose to use polishes, test first in an inconspicuous area.
- Using solvents of any kind on your furniture may damage the finish.
- Never use water to clean your furniture as it may cause damage to the finish.
- Always use coasters under beverage glasses and flowerpots.
- Liquid spills should be removed immediately. Using a soft clean cloth, blot the spill gently. Avoid rubbing.
- Always use protective pads under hot dishes and plates. Heat can cause chemical changes that may create spotting within the furniture finish.
- Stains or marks from crayons or ink markers will be difficult to remove.
- In the event that your furniture is stained or otherwise damaged during use, we recommend that you call a professional to repair your furniture.
- Check bolts/screws periodically and tighten them if necessary.

CARING FOR WOOD FURNITURE

It is best to keep your furniture in a climate-controlled environment. Extreme temperature and humidity changes can cause fading, warping, shrinking and splitting of wood. It is advised to keep furniture away from direct sunlight as sun may damage the finish.

Proper care and cleaning at home will extend the life of your purchase. Following these important and helpful tips will enhance your furniture as it ages.

CLEANING THE FIREPLACE TRIM

Clean the metal trim using a soft cloth, slightly dampened with citrus oil based product and buff with a clean soft cloth. **DO NOT** use brass polish or household cleaners as these products will damage the metal trim. Citrus oil based products can be obtained at supermarkets or hardware stores.

HOME DECORATORS COLLECTION

**Questions, problems, missing parts? Before returning to the store,
call Home Decorators Collection Customer Service
8 a.m. - 7 p.m., EST, Monday-Friday
9 a.m. - 6 p.m., EST, Saturday**

1-800-986-3460

HOMEDEPOT.COM/HOMEDECORATORS

Retain this manual for future use.