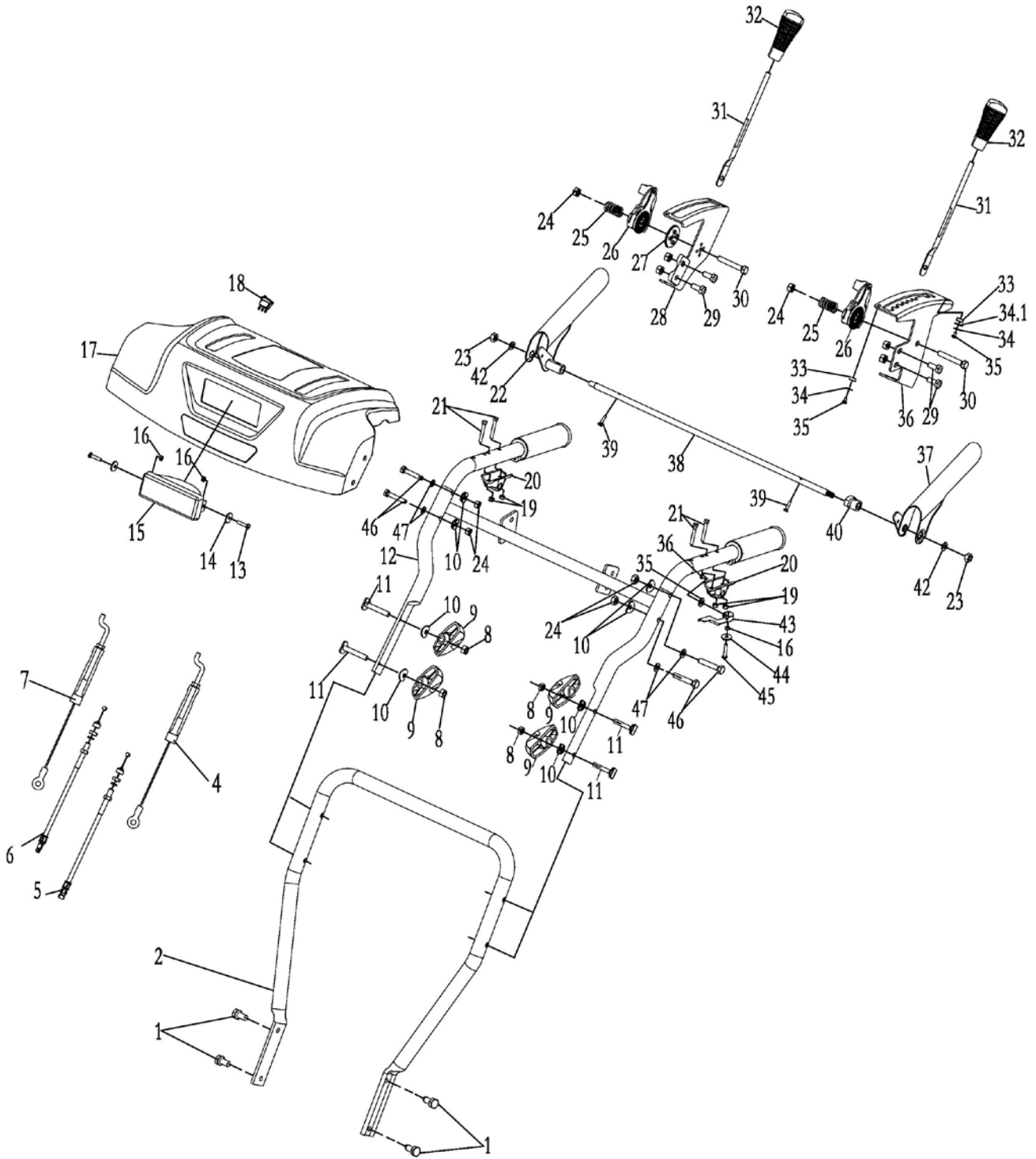


EXPLODED VIEW AND PARTS LIST

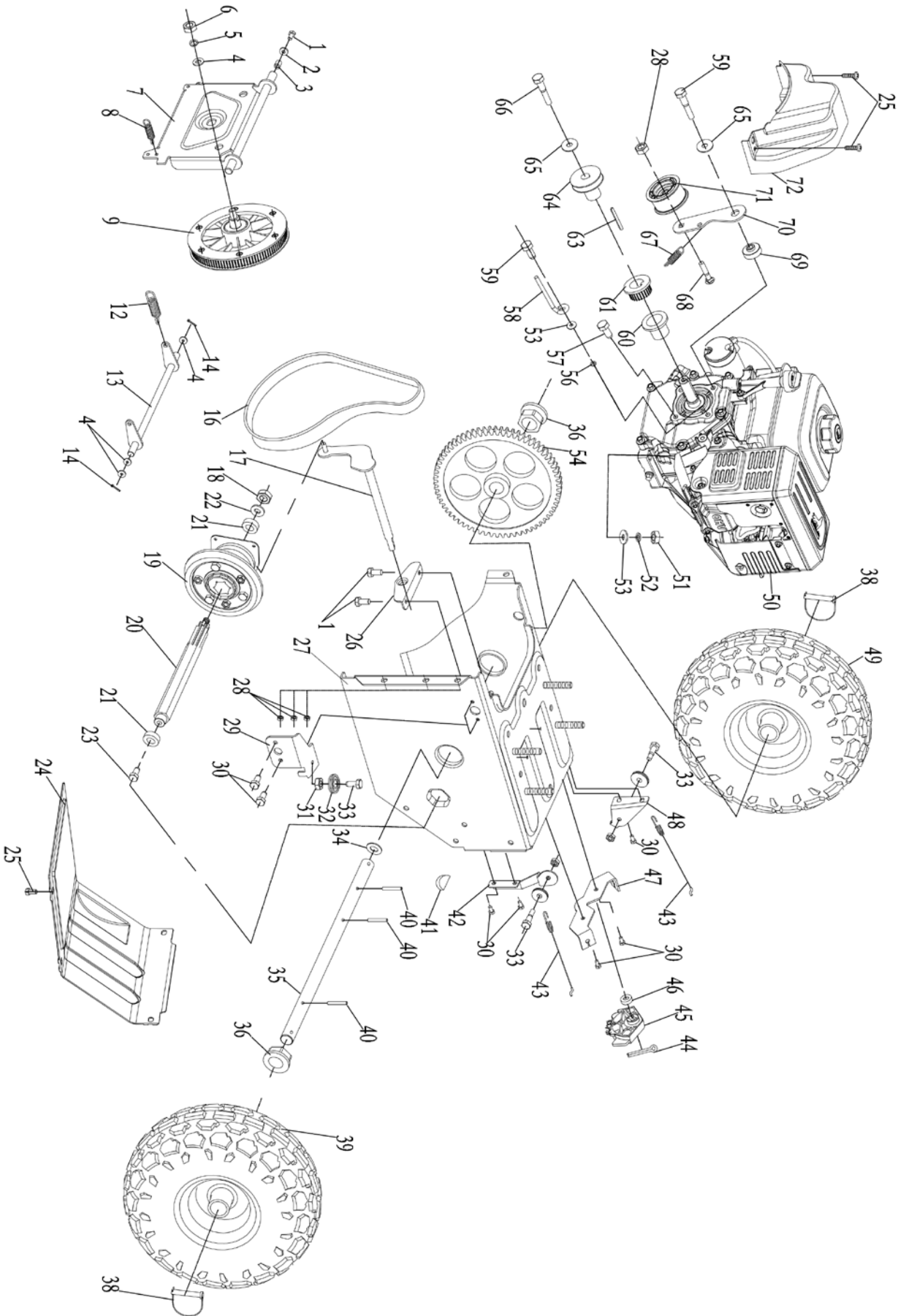
Panel Assembly (All Parts Number Begin with P)



| Item | Stock # | Description | Qty |
|------|------------|----------------------|-----|
| P01 | 303020106 | Screw M8x20 | 4 |
| P02 | 303080306 | Lower Handle | 1 |
| P04 | 303200060A | Upper Auger Cable | 1 |
| P05 | 303200018 | Shift Cable Left | 1 |
| P06 | 303200019 | Shift Cable Right | 1 |
| P07 | 303200061A | Upper Drive Cable | 1 |
| P08 | 303030026 | Nut M8 | 4 |
| P09 | 203020865A | Knob | 4 |
| P10 | 303030026 | washer 8 | 8 |
| P11 | 303020140 | T-bolt M8x50 | 4 |
| P12 | 303180697 | Upper Handle | 1 |
| P13 | 303020201 | Screw M5x22 | 2 |
| P14 | 303042035 | Flat Washer 5 | 2 |
| P15 | 301120006 | Lamp | 1 |
| P16 | 303030048 | Nut M5 | 2 |
| P17 | 203010651 | Operation Panel | 1 |
| P18 | 301100037 | Switch | 2 |
| P19 | 303030030 | Locknut M5 | 4 |
| P20 | 203020637 | lock Seat | 2 |
| P21 | 303020301 | Screw M5x35 | 4 |
| P22 | 303180699 | Drive Control Handle | 1 |
| P23 | 303030036 | Locknut M8 | 2 |
| P24 | 303030077 | Locknut M8 | 2 |

| Item | Stock # | Description | Qty |
|------|-----------|-----------------------|-----|
| P25 | 303130074 | Press Spring | 1 |
| P26 | 203050053 | Cable Holder | 1 |
| P27 | 203020380 | Washer | 1 |
| P28 | 303070753 | Bracket | 1 |
| P29 | 303020281 | Screw M8x16 | 4 |
| P30 | 303020067 | Bolt M8x55 | 2 |
| P31 | 303160512 | Control Lever | 2 |
| P32 | 203070063 | Knob | 2 |
| P33 | 303160513 | Spacer | 4 |
| P34 | 303042019 | Flat Washer | 5 |
| P35 | 303010092 | Screw | 5 |
| P36 | 303070754 | Shift Control Bracket | 1 |
| P37 | 303180698 | Auger Control Handle | 1 |
| P38 | 303160514 | Axle | 1 |
| P39 | 303020091 | Bolt M4x16 | 2 |
| P40 | 303060100 | Self-locking Cam | 1 |
| P42 | 303042013 | Flat Washer 8 | 2 |
| P43 | 303070755 | Self-locking Spring | 1 |
| P44 | 303042104 | Flat Washer 5 | 1 |
| P45 | 303020228 | Bolt M5x25 | 1 |
| P46 | 303020274 | Screw M8x45 | 4 |
| P47 | 303042023 | Flat Washer 8 | 4 |
| | | | |

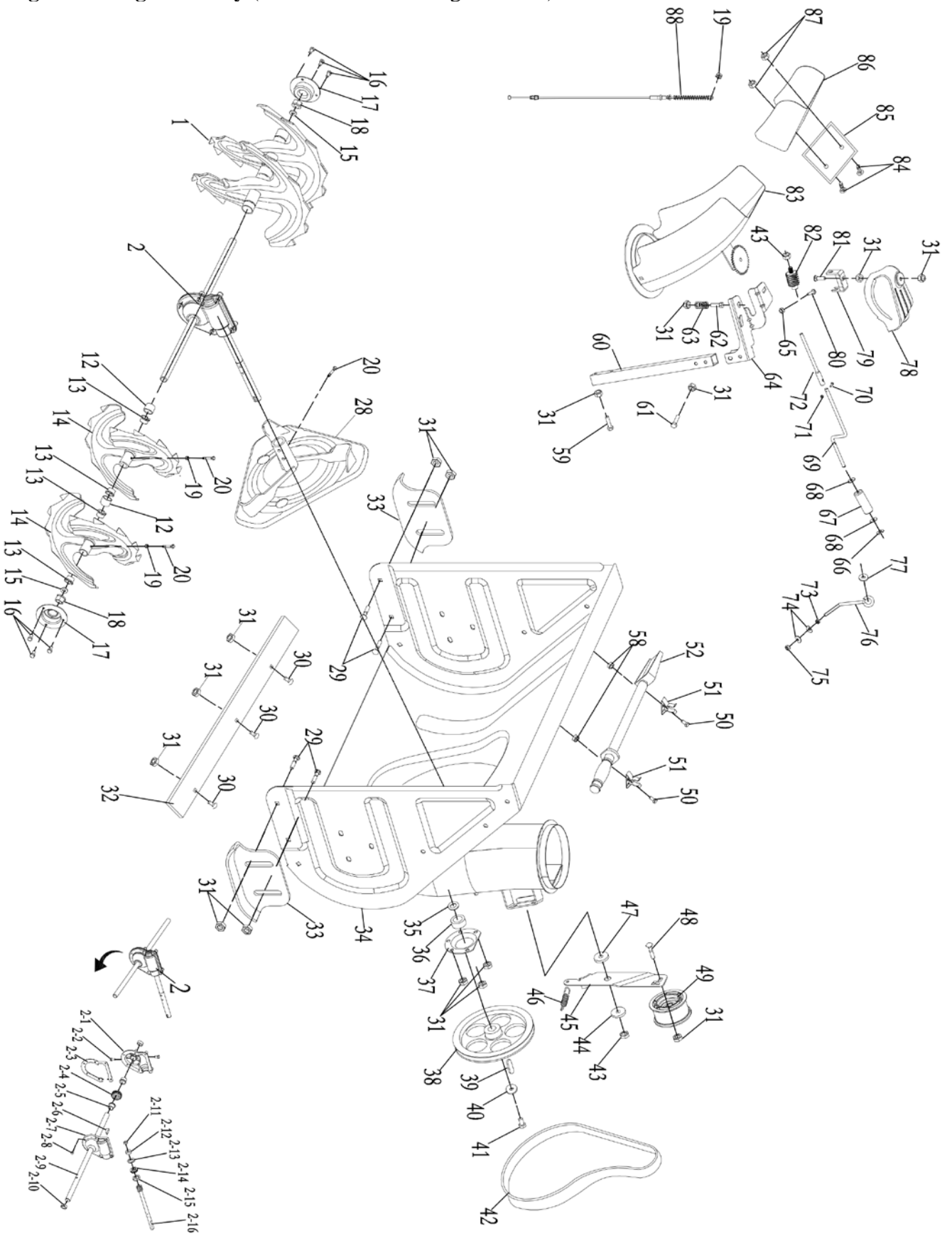
Frame Assembly (All Parts Number Begin with F)



| Item | Stock # | Description | Qty |
|------|------------|-------------------------------|-----|
| F01 | 303020492 | Screw M6x10 | 3 |
| F02 | 303042001 | Flat Washer 6 | 1 |
| F03 | 303160308 | Spacer | 1 |
| F04 | 303042039 | Flat Washer 10 | 4 |
| F05 | 303041015 | Spring Washer10 | 1 |
| F06 | 303030068 | Nut M10x1 | 1 |
| F07 | 303180274A | Friction Disk Bracket | 1 |
| F08 | 303130072 | Extension Spring | 1 |
| F09 | 202160002 | Synchronizing Wheel | 1 |
| F12 | 303130073 | Extension Spring | 2 |
| F13 | 303180037 | Drive Bracket | 1 |
| F14 | 303121011 | Cotter Pin | 2 |
| F16 | 302040026 | Synchronous Belt | 1 |
| F17 | 303180027 | Track Shift Rod Assembly | 1 |
| F18 | 303030059 | Locknut M10 | 1 |
| F19 | 202170002 | Friction Wheel Assembly | 1 |
| F20 | 303160182 | Hex Wheel Drive Shaft | 1 |
| F21 | 303100051 | Ball Bearing 6203ZN | 2 |
| F22 | 303042004 | Flat Washer 10 | 1 |
| F23 | 303020494 | Flange Screw M10x16 | 1 |
| F24 | 303180463 | Big Frame Cover | 1 |
| F25 | 303020248 | Screw M6x12 | 8 |
| F26 | 303180028 | Shift Frame Bracket | 1 |
| F27 | 303180049 | Frame | 1 |
| F28 | 303030077 | Locknut M8 | 11 |
| F29 | 303070133A | Guide Roller Bracket | 1 |
| F30 | 303020246 | Screw M6x16 | 8 |
| F31 | 303030032 | Locknut M6 | 3 |
| F32 | 203020364 | Guide Roller | 3 |
| F33 | 303160177 | Screw | 3 |
| F34 | 303043018 | Washer 20 | 1 |
| F35 | 303160222A | Wheel Axle | 1 |
| F36 | 303060030 | Turning Assist Shaft Hex Pipe | 2 |
| F38 | 303122002 | Dowel Pin | 2 |

| Item | Stock # | Description | Qty |
|------|------------|---------------------------|-----|
| F39 | 302090220 | Left Wheel Assembly | 1 |
| F40 | 303123008 | Bow Tie Cotter Pin | 3 |
| F41 | 303110022 | Semicircular Key | 1 |
| F42 | 303070134A | Guide Roller Bracket | 1 |
| F43 | 303200012 | Lower Auger Cable | 2 |
| F44 | 303121004 | Cotter Pin | 1 |
| F45 | 203020362A | Lower Shift Cable Control | 1 |
| F46 | 303160385 | Spacer | 1 |
| F47 | 303070206 | Cable Bracket | 1 |
| F48 | 303070418A | Guide Roller Bracket | 1 |
| F49 | 302090221 | Right Wheel Assembly | 1 |
| F50 | 303190249 | Engine Assembly | 1 |
| F51 | 303030066 | Nut M8 | 4 |
| F52 | 303041022 | Spring Washer 8 | 5 |
| F53 | 303042023 | Flat Washer 8 | 4 |
| F54 | 303160140 | big Gear | 1 |
| F55 | 303050028 | Circlip | 1 |
| F56 | 303043016 | Lock Washer 8 | 1 |
| F57 | 303160432 | Screw | 1 |
| F58 | 303080144 | Belt Keeper | 1 |
| F59 | 303020265 | Screw M8x30 | 2 |
| F60 | 303060060 | Spacer | 1 |
| F61 | 303060041 | Small Synchronous Pulley | 1 |
| F63 | 303110015 | Key | 1 |
| F64 | 303160151 | Big Pulley | 1 |
| F65 | 303042005 | Flat Washer 8 | 1 |
| F66 | 303020124 | Screw M8x35 | 1 |
| F67 | 303130094 | Extension Spring | 1 |
| F68 | 303020154 | Square Neck Bolt M8x40 | 1 |
| F69 | 303160191 | Spacer | 1 |
| F70 | 303070202 | Small Flat Idler | 1 |
| F71 | 303210045 | Tension Pulley | 1 |
| F72 | 203050051 | Belt Cover | 1 |
| | | | |

Auger Housing Assembly (All Parts Number Begin with H)



| Item | Stock # | description | Qty |
|--------|-----------|-------------------------|-----|
| H01 | 303180424 | Single Auger Assembly R | 2 |
| H02 | 202450076 | Gear Housing Assembly | 1 |
| H02-1 | 303090031 | worm Gear Case R | 1 |
| H02-2 | 303020142 | Bolt M8x10 | 2 |
| H02-3 | 303070260 | Gasket | 1 |
| H02-4 | 303090033 | Worm Gear | 1 |
| H02-5 | 303060055 | Axle Sleeve | 2 |
| H02-6 | 303110022 | Woodruff Key | 1 |
| H02-7 | 303090032 | Worn Gear Case L | 1 |
| H02-8 | 303020489 | Bolt M6x18 | 6 |
| H02-9 | 303160447 | Auger Axle | 1 |
| H02-10 | 302130005 | Seal | 2 |
| H02-11 | 303100030 | Bearing 6001Z | 1 |
| H02-12 | 303100035 | Bearing 6904Z | 1 |
| H02-13 | 303070179 | Washer | 1 |
| H02-14 | 303100039 | Bearing 51104 | 1 |
| H02-15 | 302130002 | Seal | 1 |
| H02-16 | 303160204 | Worm Shaft | 1 |
| H12 | 203050108 | Spacer | 6 |
| H13 | 203060012 | Flange Bushing | 8 |
| H14 | 303180425 | Single Auger Assembly L | 2 |
| H15 | 203050109 | Spacer | 2 |
| H16 | 303020493 | Flange Screw M8x16 | 6 |
| H17 | 303070234 | Bearing Housing | 2 |
| H18 | 203060013 | Plastic Flange Bearing | 2 |
| H19 | 303030032 | Locknut M6 | 6 |
| H20 | 303160355 | Shear Pin | 5 |
| H28 | 303180080 | Impeller | 1 |
| H29 | 303020166 | Square Neck Bolt M8x18 | 4 |
| H30 | 303020332 | Square Neck Bolt M8x16 | 6 |
| H31 | 303030077 | Locknut M8 | 17 |
| H32 | 303070472 | Shave Plate | 1 |
| H33 | 303070197 | Skid Shoe | 2 |
| H34 | 303180680 | Auger Housing | 1 |
| H35 | 303043018 | Washer | 2 |
| H36 | 303100040 | Ball Bearing UC204 | 1 |
| H37 | 303070233 | Keeper | 1 |
| H38 | 303160143 | Big Pulley | 1 |
| H39 | 303110014 | Machine Key | 1 |
| H40 | 303042005 | Flat Washer 8 | 1 |
| H41 | 303020279 | Screw M8x25 | 1 |
| H42 | 302040011 | Auger Belt | 1 |

| Item | Stock # | description | Qty |
|------|------------|--------------------------------|-----|
| H43 | 303030708 | Locknut M10 | 2 |
| H44 | 303043019 | Butterfly Washer | 1 |
| H45 | 303070126 | Idler Arm | 1 |
| H46 | 303160175 | Extension Spring | 1 |
| H47 | 303160172 | Bushing | 1 |
| H48 | 303020154 | Square Neck Bolt M8x40 | 1 |
| H49 | 303210045 | Big Tension Pulley | 1 |
| H50 | 303020213 | Screw M6x12 | 2 |
| H51 | 303070170 | Clean-out Tool Bracket | 2 |
| H52 | 203050057 | Clean-out Tool | 1 |
| H58 | 303030087 | Locknut M6 | 2 |
| H59 | 303020275 | Screw M8x40 | 2 |
| H60 | 303080241 | Chute Direction Support Column | 1 |
| H61 | 303020274 | Screw M8x45 | 2 |
| H62 | 303020312 | Screw M8x55 | 1 |
| H63 | 303130074 | Spring | 1 |
| H64 | 303070517 | Chute Direction Seat | 1 |
| H65 | 303030030 | Locknut M5 | 1 |
| H66 | 303050029 | Circlip | 1 |
| H67 | 203020371 | Chute Direction Knob | 1 |
| H68 | 303042039 | Flat Washer 10 | 2 |
| H69 | 303080444 | Crank Handle | 1 |
| H70 | 303020254 | Screw M5x20 | 1 |
| H71 | 303030057 | Nut M5 | 1 |
| H72 | 303080314B | Crank handle Rod | 1 |
| H73 | 303030066 | Nut M8 | 1 |
| H74 | 303043010 | Saddle Washer | 2 |
| H75 | 303030036 | Locknut M8 | 1 |
| H76 | 303160515 | Holder | 1 |
| H77 | 302080018 | Rubber Washer | 1 |
| H78 | 203050110 | Gear Cover | 1 |
| H79 | 303070518A | Turbine Stent | 1 |
| H80 | 303020228 | Bolt M5x25 | 1 |
| H81 | 303020152 | Bolt M8x30 | 1 |
| H82 | 303160368A | Worm Shaft | 1 |
| H83 | 303180701 | Discharge Chute Assembly | 1 |
| H84 | 303020191 | Screw M4x14 | 2 |
| H85 | 302080021 | Rubber Liner | 1 |
| H86 | 303180700 | Chute Deflector | 1 |
| H87 | 303030029 | Locknut M4 | 2 |
| H88 | 303200058 | Chute Pull Cable | 1 |
| | | | |