

Features

- Vertically adjustable flat mirror on inside of door.
- Full-overlay mirrored door.
- Slow-close door prevents slamming.
- Two-way adjustable hinges with 108-degree opening capability for easy cabinet access.
- Can be installed with left- or right-hand swing.

Material

- Anodized aluminum construction with a durable rust-free and chip-free finish.

Installation

- Three adjustable glass shelves.
- For surface-mount or recess-mount installation.
- Requires side mirror kit (sold separately) for surface mount installation.

Required Accessories

K-99012 Side Mirror Kit

or

K-99675 Medicine Cabinet Side Kit

Recommended Accessories

K-99661-24 Medicine Cabinet Surround

K-99662-24 Medicine Cabinet Surround

K-99663-24 Medicine Cabinet Surround

Components

Additional included component/s: Mounting hardware.

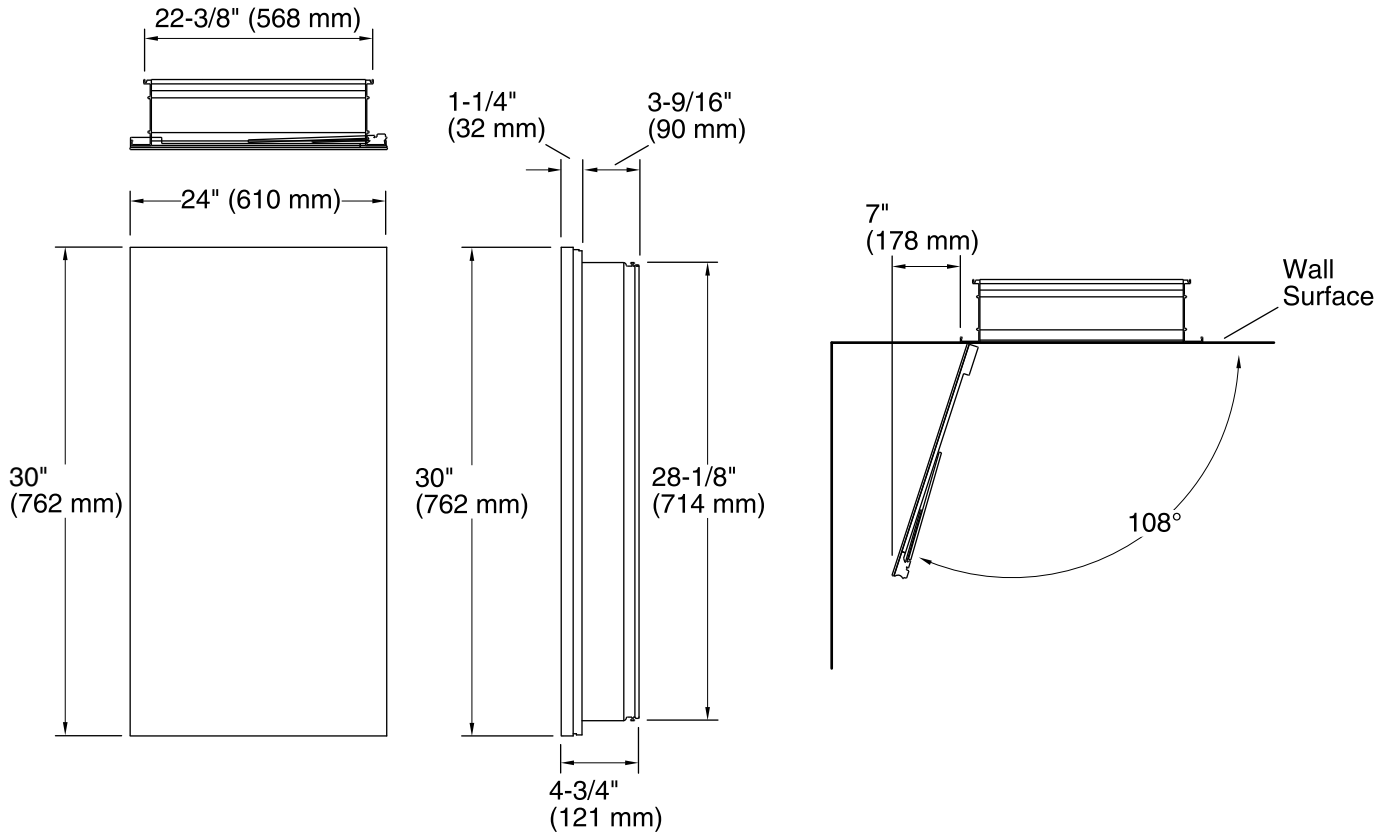


Codes/Standards

None Applicable

KOHLER® One-Year Limited Warranty

See website for detailed warranty information.



Technical Information

All product dimensions are nominal.

Notes

Install this product according to the installation guide.

To recess mount, the wall cavity must be framed and the cabinet secured to framing studs. Reroute electrical or water supply lines from the cavity. Consult a professional if drain or vent piping is encountered, or if the wall is load-bearing.

To determine the height of the cabinet, ensure the door will clear all obstacles (such as a faucet). A minimum 3" (76 mm) distance is required.

Cutout for recess-mount installations: 22-1/2" (572 mm) wide x 28-1/4" (718 mm) high x 3-11/16" (94 mm) deep.