

GeekHeat

14" Parabolic Infrared Heater

Model: DF1015

OWNER'S MANUAL



PLEASE READ AND SAVE THESE IMPORTANT SAFETY INSTRUCTIONS

PET OWNERS WARNING:

The health of some small pets including birds are extremely sensitive to the fumes produced during the first-time use of many appliances. These fumes are not harmful to humans but we recommended that you do not use your heater around birds and small pets during its initial use until the manufacturing corrosion coatings burn off.

IMPORTANT INSTRUCTIONS

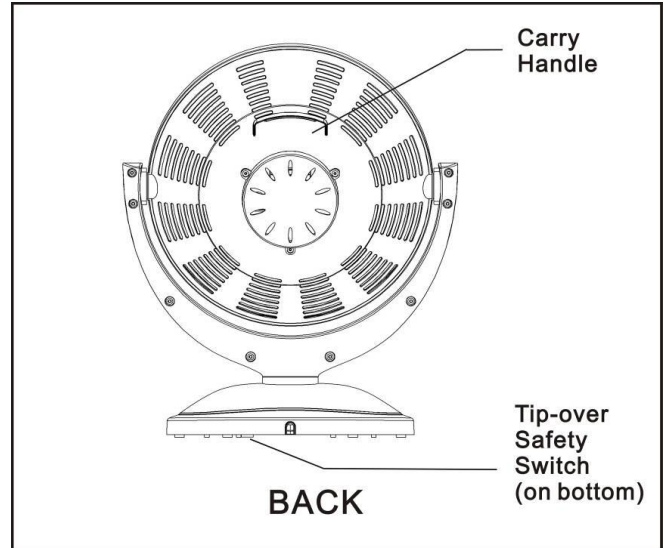
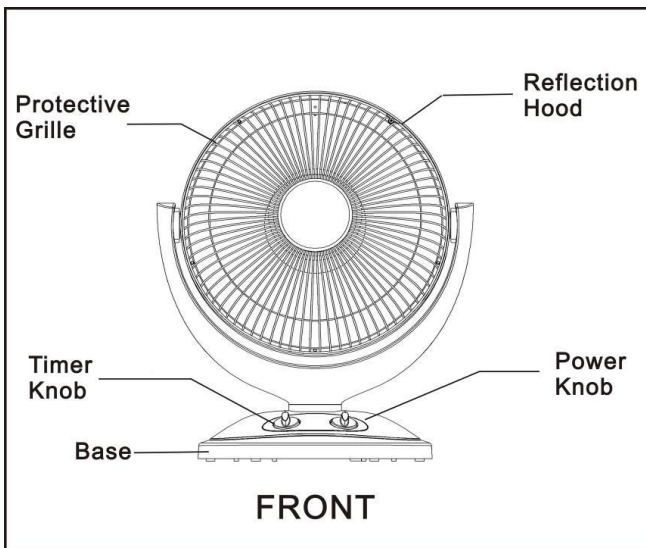
WHEN USING ELECTRICAL APPLIANCES, BASIC PRECAUTIONS SHOULD ALWAYS BE FOLLOWED TO REDUCE THE RISK OF FIRE, ELECTRIC SHOCK AND INJURY TO PERSON, INCLUDING THE FOLLOWING:

- Read all instructions before using this heater.
- This heater is hot when in use. To avoid burns, do not let bare skin touch hot surfaces. Use grip handle when provided.
- Keep flammable materials such as curtains, furniture, pillows, bedding, papers, clothes, and curtains at least 3 ft (0.9 m) from the front of heater and keep them away from the sides and rear of the heater.
- Extreme caution is necessary when any heater is used by or near children or invalids and whenever the heater is left operating and unattended.
- Always unplug heater when not in use.
- Do not use any heater with a damaged cord or plug or after the heater malfunctions or has been dropped or damaged in any manner. Discard heater or return to an authorized service facility for examination and/or repair.
- Do not use outdoors.
- This heater is not intended for use in bathrooms, laundry areas or other similar indoor locations. Never locate heater where it may fall into a bathtub or other water container.
- Do not run cord under carpeting. Do not cover cord with throw rugs, runners, or similar coverings. Do not route cord under furniture or appliances. Arrange cord away from traffic area and where it will not be tripped over.
- To disconnect heater, turn controls to off, then remove plug from outlet.
- Do not insert or allow foreign objects to enter any ventilation or exhaust opening as this may cause an electric shock or fire, or damage the heater.
- To prevent a possible fire, do not block air intakes or exhaust in any manner. Do not use on soft surfaces, like a bed, where openings may become blocked.
- A heater has hot and arcing or sparking parts inside. Do not use it in areas where gasoline, paint, or flammable liquids are used or stored
- Use this heater only as described in this manual. Any other use not recommended by the manufacturer may cause fire, electric shock, or injury to persons.
- Always plug heaters directly into a wall outlet/receptacle. Never use with an extension cord or relocatable power tap (outlet/power strip).
- This heater is equipped with a polarized alternating current line plug (a plug having one blade wider than the other). This plug fits into the power outlet only one way. This is a safety feature. If you are unable to insert the plug fully into the outlet, try reversing the plug. If the plug should still fail to fit, contact an electrician to replace the obsolete outlet. Do not defeat the safety purpose of polarized plug.

- This appliance is not intended for use by persons (including children) with reduced physical, sensory or mental capabilities, or lack of experience and knowledge, unless they have been given supervision or instruction concerning use of the appliance by a person responsible for their safety. Children should be supervised to ensure that they do not play with the appliance.

SAVE THESE INSTRUCTIONS

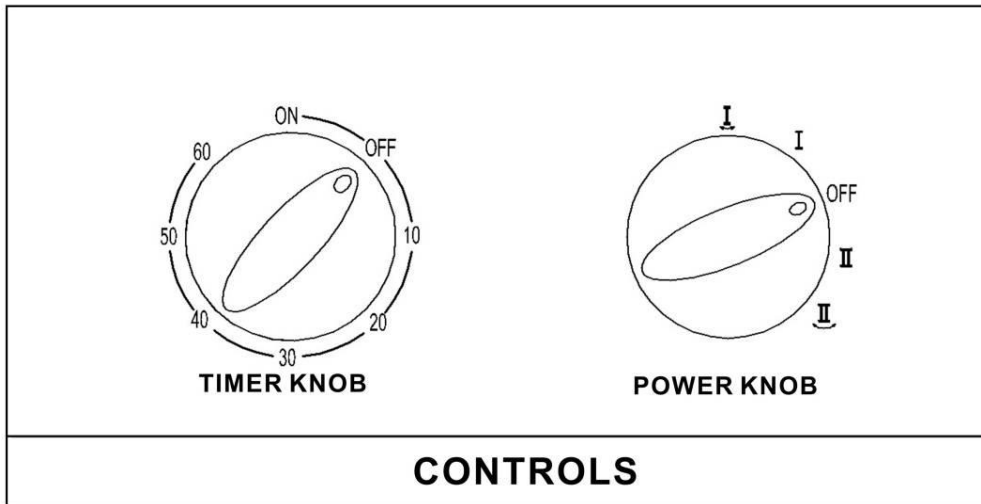
PARTS OF THE HEATER



OPERATING INSTRUCTIONS

Pre-Operating Instructions:

- Carefully remove your heater from the box (Please save the carton for off-season storage).
- Make sure the unit is in the OFF position before plugging the heater into the outlet.
- Place the heater on a firm level surface.



Power setting

Turn the power knob to desired heat setting.

1. I is for the Low power (400 watts) without oscillation function.
2. II is for the High power (800 watts) without oscillation function.
3. **I** is for the Low power(400 watts) with oscillation function.
4. **II** is for the High power(800 watts) with oscillation function.
5. OFF: To disconnect heater, turn power knob to“OFF”position (off), and turn timer to“OFF” then remove the plug from outlet.

Timer setting

Turn the timer knob to desired timer setting.

- 1.ON indicates Power and Timer are turned on.
- 2.OFF indicates Power and Timer are turned off.
3. Timer settings are in increments of 10 minutes up to a maximum of 60 minutes.

Note: Do not force knob beyond its normal stop position.

SAFETY FEATURES

Automatic Tip-over Safety Switch:

The Tip-over safety switch is located as bottom of the base. The tip-over safety switch allows the unit to operate only when the heater is placed on a level surface. If the heater is tipped or tilted while in operation, it will automatically shut off.

Overheating protection:

There is an overheating protector inside, if this heater overheats by accident, this heater will shut off automatically.

CLEANING/ MAINTENANCE INSTRUCTIONS

During Season Care:

- Before cleaning, be sure to turn off and unplug the heater.
- Carefully wipe the unit with a soft, damp cloth. Please be very cautious near the motor and heating elements.
- Do not immerse the heater in water.
- Never use gasoline, benzene or thinner. This will damage the surface of the heater.
- After cleaning, be sure to completely dry the unit with a cloth or towel.

After Season Care:

- Store heater in a cool and dry location with power cord properly secured.
- Please store the unit in its original carton or suitable container.

Home Easy Ltd.
No.141,1275 Bloomfield Ave.
Fairfield, NJ 07004
Toll Free: 1-844-801-8880