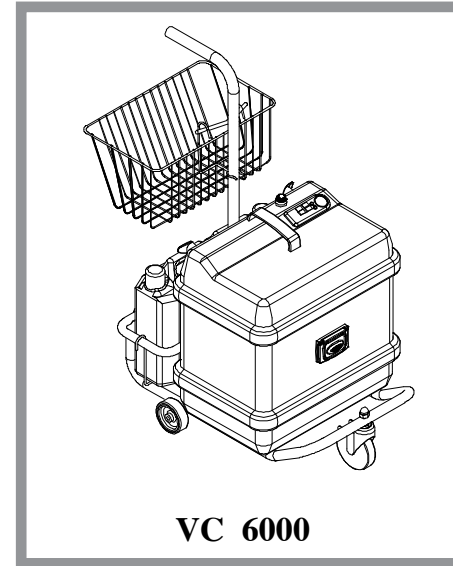


CE

Stampa: Novaprint 0424.539449 - www.novaprint.it - cod. 101.61.094000



VC 6000

Steam and Detergent System



VC 6000 FULL

Steam - Detergent and Vac. System

INSTRUCTIONS FOR USE

INTRODUCTION

Before performing any operation on the machine, carefully read this manual.

It contains all the information necessary for accident-free operation, ensuring the safety of the operator and all persons working nearby, and respect for the environment. Correct use of this manual enables the user to keep the machine in good condition, reduces breakdowns and consequently repair costs and machine down time.

Keep the manual in a suitable place where it can be easily accessed by the operator whenever required.

DESCRIPTION

The product permits steam-cleaning of machinery, refrigerators, ovens, work tables, floors, windows etc. reducing the use of detergents, disinfectants and solvents, and eliminating serious problems of disposal, bad smells and toxic residues.

Cleaning System functions: For commercial use

VC 6000	VC 6000 FULL
<ul style="list-style-type: none">• Cleaning with steam• Detergent injection	<ul style="list-style-type: none">• Cleaning with steam• Detergent injection• Dust vacuum cleaning• Liquid vacuum cleaning

WARNING!

TO PREVENT SCALDING OR BURNING, KEEP BODY AWAY FROM VAPOR OUTPUT NOZZLES.

IMPORTANT SAFETY INSTRUCTIONS

READ ALL INSTRUCTIONS BEFORE USING THE VAPOR CLEANING SYSTEM.

When using the Cleaning System, always use basic precaution, including the following:

Warning – To reduce the risk of fire, electrical shock or injury:

1. Do not leave appliance when plugged in. Unplug the Cleaning System from outlet when not in use, or before servicing.
2. Do not allow the Cleaning System to be used as a toy. Close attention is necessary when the system is being used around children. Never allow children to use or play with the system.
3. Use only as described in the manual. Only use original manufacturer attachments.
4. Do not use the Cleaning System with a damaged cord or plug. If the Cleaning System has been dropped, damaged, left outdoors, or submersed in water, return the System to the SERVICE .
5. Do not pull or carry the Cleaning System by the cord.
6. Do not use the cord as a handle. Never close a door on the cord. Never pull it around edges or corners. Never run appliances over the cord. Keep cord away from heated surfaces.

WARRANTY

TPA Impex SPA guarantees the product against all manufacturing or material defects for 12 months from the date of sale.

Warranty conditions :

- The warranty does not cover failures resulting from normal machine wear.
- The warranty lapses in the case of failures, problems or accidents caused by non-observation of these instructions, poor maintenance or inappropriate use of the machine.
- The warranty comprises replacement or repair free of charge of faulty parts, including labour. Recognition of the warranty does not entail any other recognition of damage or compensation for any reason.
- The warranty applies to goods ex our factory or ex branches.

Disposal and recycling :

The materials making up the machine must not be left lying around. For disposal, follow the legal regulations in force.

Data, specifications and descriptions contained in this document are not binding and can be varied without notice.

©copyright 2008 T.P.A. Impex S.p.A.

Circulation and reproduction, even partial, are prohibited.

Wet & Dry Vacuum Cleaner (Only for VC 6000 Full)

DESCRIPTION AND ASSEMBLY


- A - Motor block.
- B - Switch.
- C - Cartridge filter
- D - Float: its purpose is to avoid that liquid may go inside motor block during suction.
- F - Hooks for tightening of motor block to tank.
- H - Tank.

ATTENTION

In order to keep in good efficiency the machine it is useful to clean the filter after each utilization.

NOISE LEVEL

Values measured according to EN 60704 - 1 (1996) / EN 60704 - 2 - 1 (2000) rules. Measurement A for the sound pressure level of the machine is < 85 dB (A). Under unfavourable feed conditions, the appliance may cause temporary drops in voltage.

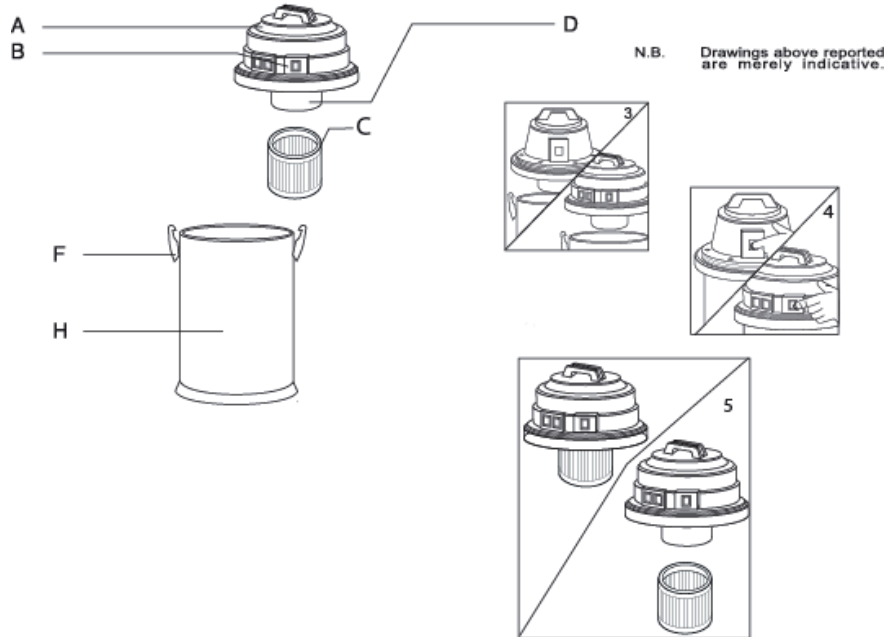
 Do not dispose of power tools into household waste! According to the European Directive 2002/96/EC on waste electrical and electronic equipment and its incorporation into national law, power tools that are no longer suitable for use must be separately collected and sent for recovery in an environmental-friendly manner.

OPERATING INSTRUCTION

- Assembly the head on tank and block it by hooks (Fig. 3)
- Connect the plug to power socket then switch on the equipment (Fig. 4)

LIQUID SUCTION / OPERATING INSTRUCTION

- Remove the filter (Fig. 5).
- Assembly the head on tank and block it by hooks (Fig. 3)
- Connect the plug to power socket then switch on the equipment (Fig.4)



7. Do not unplug by pulling the cord. To unplug, grasp the plug, not the cord.
8. Do not handle the plug with wet hands.
9. Do not allow objects to get into the output nozzles. Do not try to operate the Cleaning System with any of the openings blocked. Keep opening free of dust, lint, hair, or anything that reduce the Steam flow.
10. Keep all parts of the body away from output nozzles and moving parts of the System.
11. Use extra care when using the Cleaning System on stairs.
12. Use extra care when cleaning around water source (swimming pools, spas, toilets, etc.)
13. Do not use the Cleaning System to clean animals.
14. Never point the steam toward humans or animals.
15. Turn off all controls before unplugging the Vapor System.
16. Do not fill the Cleaning System with anything but clean tap water.
17. To reduce the risk of electric shock – use indoors only
18. Do not use to pick up flammable or combustible liquids, such as gasoline, or use in areas where they may be present.
19. Connect to a properly grounded outlet only. See Grounding Instructions
20. Do not pick up anything that is burning or smoking such as cigarettes, matches, or hot ashes.

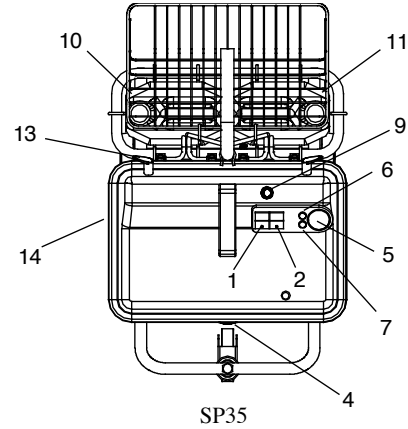
SAVE THESE INSTRUCTIONS

TECHNICAL SPECIFICATIONS

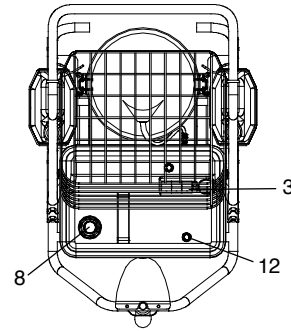
Descriptions	VC 6000		VC 6000 FULL	
	6 BAR	8 BAR	6 BAR	8 BAR
Stainless steel boiler capacity	3l	3l	3l	3l
Capacity cold water tank	5l	5l	5l	5l
Capacity detergent tank	5l	5l	5l	5l
Heating time	7 min	7,5 min	7 min	7,5 min
Operating pressure	600kPa(6bar)	800kPa(8bar)	600kPa(6bar)	800kPa(8bar)
Max temperature thermostat	180°C	200°C	180°C	200°C
Boiler power	1000+700W	1000+700W	1000+700W	1000+700W
Pump power	(47x2)W	(47x2)W	(47x2)W	(47x2)W
Vacuum power	∞	∞	1000W	1000W
Total power	1800W	1800W	1800W	1800W
Rated voltage	120/60Hz	120/60Hz	120/60Hz	120/60Hz
Weight with trolley	27kg	27 kg	44 kg	44 kg
Power cord	4,2 m	4,2 m	4,2 m	4,2 m
Machine safety devices				
Pressure-limiting protective device	Yes	Yes	Yes	Yes
Operating pressure control	Yes	Yes	Yes	Yes
Non-self-resetting thermal cut-out	Yes	Yes	Yes	Yes
Extra low voltage on grip handle	Yes	Yes	Yes	Yes
Safety cap with sensor	Yes	Yes	Yes	Yes

Cleaning System details

1. Main switch with light
2. Boiler switch with light
3. Vacuum switch (only VC 6000 FULL)
4. Socket
5. Pressure gauge (optional)
6. No water warning light
7. Work enable pilot light
8. Safety cap with water level sensor
9. Steam adjustment
10. Water tank
11. Detergent tank
12. Detergent adjustment (only VC 6000 FULL)
13. Power cord
14. Cleaning boiler cap
15. Steam switch
16. Water switch
17. Red switch
18. Detergent connection tubes
19. Water connection tubes
20. Vacuum switch
21. Electrical sensor
22. "O" ring safety cup



SP35



SP35 A

Steam hose (1)



15 — 16

Steam/Vac hose (18)



Vacuum Handle (33)



GROUNDING GROUNDING INSTRUCTIONS

WARNING!

Your Vapor Cleaning System **MUST BE PLUGGED INTO A GROUNDED OUTLET**, or electrical shock can occur. Check with a qualified electrician if you do not know if the outlet is grounded.

Do not modify the plug provided with the Vapor System, if it will not fit the outlet, than have a proper outlet installed by a qualified electrician.

NOTE:

In Canada, the use of a temporary adaptor is not permitted by the Canadian Electrical Code.

NOTE:

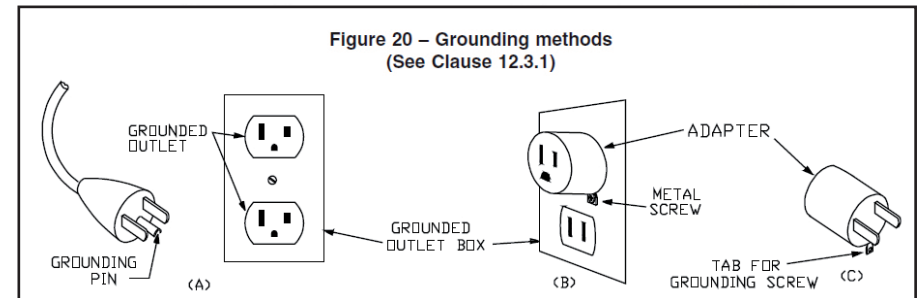
In the event that an extension cord is used with this System, it must be a minimum of 14 gauge, 3 wire, grounded, SJ quality, 60 degree C.

THIS UNIT MUST BE GROUNDED

If the unit should malfunction or break down, grounding provides a path of least resistance of electrical Current to reduce the risk of electrical shock. The unit is equipped with a cord having an equipment grounding conductor and grounding plug. The plug must be inserted into an appropriate outlet that is properly grounded in accordance with all local codes and ordinances.

WARNING – Improper connection of the equipment-grounding conductor can result in a risk of electric Shock. Check with a qualified electrician or service person if you are in doubt as to whether the outlet is properly grounded. Do not modify the plug provide with the appliance – if it will not fit the outlet, have a proper outlet installed by a qualified electrician.

This unit is designed for use with a normal 110/120 volt circuit, and has a grounded plug that looks like the Plug illustrated in sketch (A). A temporary adaptor that looks like the one illustrated in sketch (B) or (C) May be used to connect the plug to a 2 pole receptacle as shown in sketch (B) if a properly grounded outlet is not available. The temporary adaptor should only be used until a properly grounded outlet sketch (A) can be installed by a qualified electrician. Whenever the adapter is used, it must be held in place by a metal screw.



Extractions kit accessories (Cobra) only VC 6000 FULL

- 41 LARGE BRUSH
- 42 SMALL BRUSH
- 43 LIQUID SUCTION ACCESSORY WITH RUBBER/RUBBER LARGE
- 44 LIQUID SUCTION ACCESSORY WITH NYLON /RUBBER LARGE
- 45 LIQUID SUCTION ACCESSORY RUBBER/ NYLON SMALL
- 46 ROTATING ACCESSORY WITH NATURAL HAIR BRISTLES
- 47 ROTATING ACCESSORY WITH NYLON BRISTLES
- 48 DRY VACUUM ACCESSORY
- 49 BOTTLE 1,7l
- 50 DETERGENT BOTTLE



Detergent/Water Connection tubes



Detergent connection tubes

Yellow IN
Red OUT



19

Water connection tubes

Green IN
Bleu OUT

MAINTENANCE

Cleaning the boiler: ONLY WITH COLD MACHINE

- Disconnect a power cord plug from general socket.

FOR VC 6000

- Disconnect tank (10 and 11) connections.
- Take away water and detergent tank.
- Unscrewing a discharge cap (14)
- Discharge dirty water , if the water result to much dirty, repeat for 2 or 3 times this operation.
- Close discharge cap (14)

FOR VC 6000 FULL

- Disconnect tank (10 and 11) connections.
- Take away water and detergent tank.
- Take away vacuum machine.
- Unscrewing discharge cap (14)
- Unscrewing safety cap (8)
- Discharge dirty water, if the water result to much dirty , repeat for 2 or 3 times this operation inserting clean water from the hole of safety cap (8).
- Clean the safety cap electrical sensor (21) of calcium and , if “o” ring damaged (22) .
- Close a discharge cap (14) and fill from the safety cap hole about 1 lt. of water.
- Close a safety cap (8) .



To restart the machine, follow the operations in the paragraph “Machine start”.

CAUTION

Check for any water leaks from the plug below the machine and tighten the plug if necessary.

Machine start

- Before you use this appliance, check that the electrical current is the same as the voltage on the appliance’s type-plate.

Steam function :

- Insert the plug into the socket.
- Fill the water tank (10) and ensure that the connection tube (19) is correctly fitted.
- Press the main switch (1) and after the sound stopped press the switch (2) the light goes on (7).
- If the pilot light 7 does not goes on,turn the switch 2 off and then switch it on again.

ONLY FOR FIRST STARTUP OR WITH AN EMPTY BOILER

- If the machine alarm is activated (red light 6 on + acoustic alarm), turn the switch 2 off, leave it off for at least 5 seconds and then switch it on again.
- Wait for the boiler water filling pump to stop. Filling is automatically performed when required by the water level.
- The heating phase begins, lasting approx. 7 minutes. (intermittent lamp)
- When pilot light 7 come fix, the machine is ready for use.
- Insert the hose plug into the socket 4, ensuring that it is securely fitted.
- Press the steam button (15 steam function selection) and press the red switch (17) on the handgrip and direct the steam jet towards the area to be cleaned.

CAUTION

Before beginning steam cleaning operations, drain the condensation left inside the steam hose into a bucket or other suitable place.

- Fill the tank (11) with water.
- Press the steam button (16 water function selection) and press the red switch (17) on the handgrip and direct the steam/water jet towards the area to be cleaned.

Steam and detergent injection :

- Empty the tank (11) of water
- Fill the detergent tank (11) with a mix detergent specified by the manufacturer (97% of water + 3% of detergent) and ensure that the connection tube (18) is correctly fitted.
- Start the machine as above.
- Press the red button (17) on the handgrip .

CAUTION

This machine has been designed for use with non-foaming and non-corrosive detergent. Use of foaming and/or corrosive detergent could damage the machine! You are advised to use only the detergent specified by the manufacturer.

Dust – liquid vacuum cleaning function : (only SP35 A)

- Connect the steam + suction handgrip to the steam socket 4
- Press the switch (20)
- Press the switch (3).
- Vacuum function start.



Cleaning information :

To have a best result of cleaning, use the follow system:

1. Melt the dirty with the steam/detergent function.
2. Vacuum the dirty

CAUTION

This machine is not suitable for collecting dangerous dust!

Water refill :

When the water in the boiler finishes, the machine emits an acoustic signal and the no water warning light 6 (intermittent lamp and sound signal). The steam outlet is blocked.

Perform the following operations:

- Fill the water tank (10) and ensure that the connection tube (19) is correctly fitted.
- Press the switch (17) to restore the cleaning system.

As the boiler is already under pressure, pilot light 7 comes on after a few seconds and the machine is ready to resume work.

ACCESSORIES

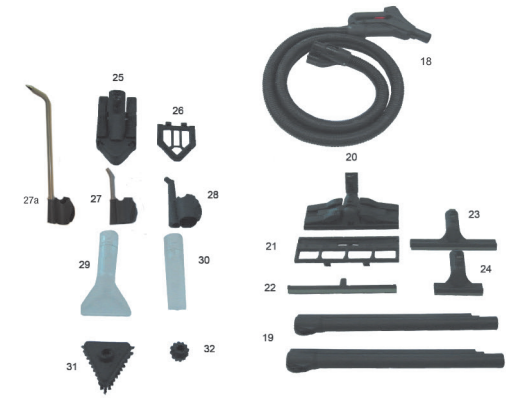
Steam kit (VC 6000):

- 1 STEAM HOSE 3.3 m with handle and plug
- 2 EXTENSION (2)
- 3 FLOOR BRUSH
- 4 GLASS CLEANER
- 5 TRIANGULAR BRUSH
- 6 STEAM NOZZLE MEDIUM L=250
- 7 STEAM NOZZLE LONG L=350 (Optional)
- 8 STEAM NOZZLE SHORT L=100 (Optional)
- 9 STEAM NOZZLE PLASTIC 1 HOLE
- 10 STEAM NOZZLE PLASTIC 3 HOLES (Optional)
- 11 ROUND BRUSH NYLON BRISTLES
- 12 TRIANG.BRUSH NYLON BRISTLES
- 13 TRIANG.BRUSH STAINL.STEEL B. (Optional)
- 14 DETAIL BRUSH NYLON BRISTLES
- 15 DETAIL BRUSH BRASS BRISTLES
- 16 DETAIL BRUSH STAINL.STEEL BRISTLES
- 17 ROUND BRUSH BRASS BRISTLES (Optional)



Steam / Vacuum kit (VC 6000 FULL):

- 18 STEAM/VAC HOSE 4 m with handle and plug
- 19 STEAM/VAC EXTENSION (2)
- 20 FLOOR BRUSH
- 21 FLOOR BRUSH ACCESSORY
- 22 FLOOR BRUSH LIQUID SUCTION ACCESSORY
- 23 GLASS CLEANER L=25
- 24 GLASS CLEANER L=12
- 25 UPHOLSTERY BRUSH STEAM AND VAC
- 26 CARPET ACCESSORY UPHOLSTERY BRUSH
- 27 DETAIL NOZZLE L. = 90 mm
- 27a DETAIL NOZZLE L. = 350 mm
- 28 DETAIL NOZZLE 3 HOLES
- 29 VAC TRASPARENT ACC. FOR DETAIL STEAM NOZZLE
- 30 VAC TRASPARENT ACC. FOR DETAIL STEAM NOZZLE
- 31 TRIANGULAR BRUSH
- 32 DETAIL BRUSH IN NYLON FOR NOZZLE



Optional

- 33 VACUUM HOSE
- 34 ROTATING BRUSH D.35 BLACK
- 35 NOZZLE LANCE D=35 BLACK
- 36 RADIATOR BRUSH D=35 BLACK
- 37 TELESCOPIC EXTENSION BLACK WITH BUTTON
- 38 VAC BRUSH BLACK
- 39 VAC NOZZLE LARGE D=35 BLACK
- 40 MULTIPURPOSE BRUSH

