



Shred Ring Accessory Kit

Blower/Vacuum

Model No. 51662

Form No. 3386-977 Rev A

Installation Instructions

Installation

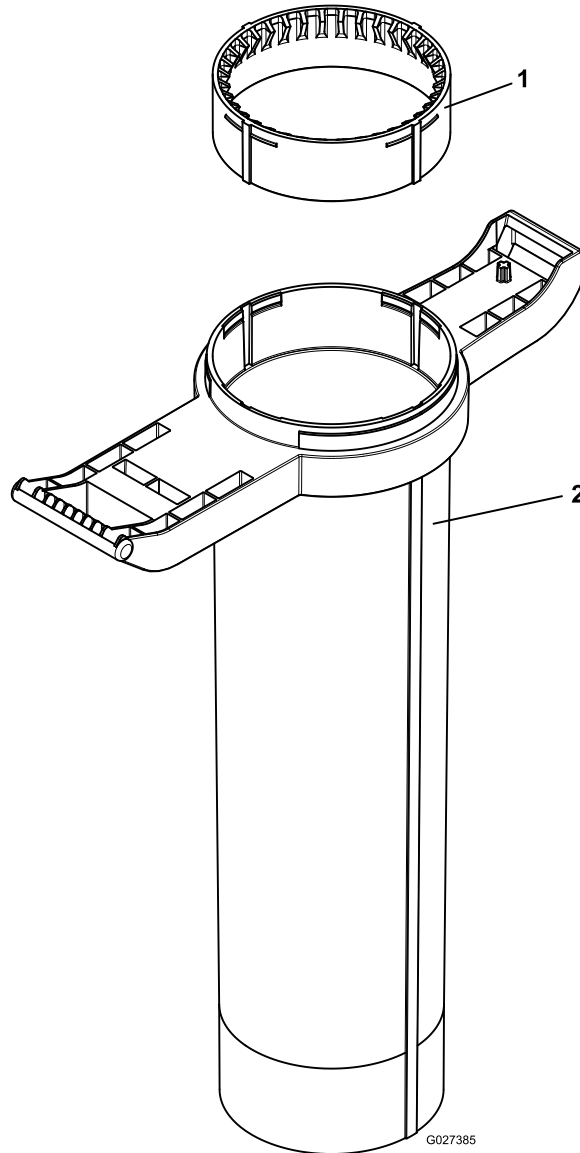


Figure 1

1. Shred ring

2. Tube

