

Features

- KOHLER cast iron
- Self-rimming
- 4" (10.2 cm) centers, 8" (20.3 cm) centers or single-hole
- 24" (61 cm) x 18" (45.7 cm)

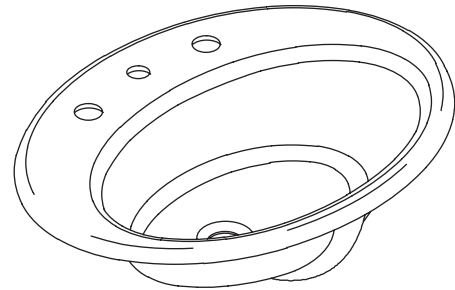
SELF-RIMMING LAVATORY K-2907

ADA

Codes/Standards Applicable

Specified model meets or exceeds the following:

- ADA
- ASME A112.19.2/CSA B45.1
- ICC/ANSI A117.1



Colors/Finishes

- 0: White
- Other: Refer to Price Book for additional colors/finishes

Accessories

- CP: Polished Chrome

Specified Model

Model	Description	Colors/Finishes	
K-2907-8	Self-rimming lavatory with 8" (20.3 cm) centers	<input type="checkbox"/> 0	<input type="checkbox"/> Other _____
K-2907-4	Self-rimming lavatory with 4" (10.2 cm) centers	<input type="checkbox"/> 0	<input type="checkbox"/> Other _____
K-2907-1	Self-rimming lavatory with single-hole	<input type="checkbox"/> 0	<input type="checkbox"/> Other _____
Recommended Accessories			
K-8998	P-Trap	<input type="checkbox"/> CP	

Product Specification

The oval self-rimming lavatory shall be made of cast iron. Lavatory shall have 8" (20.3 cm) centers, 4" (10.2 cm) centers, or single-hole. Lavatory shall be 24" (61 cm) in length and 18" (45.7 cm) in width. Lavatory shall be Kohler Model K-2907-_____-_____.

THOREAU®

Technical Information

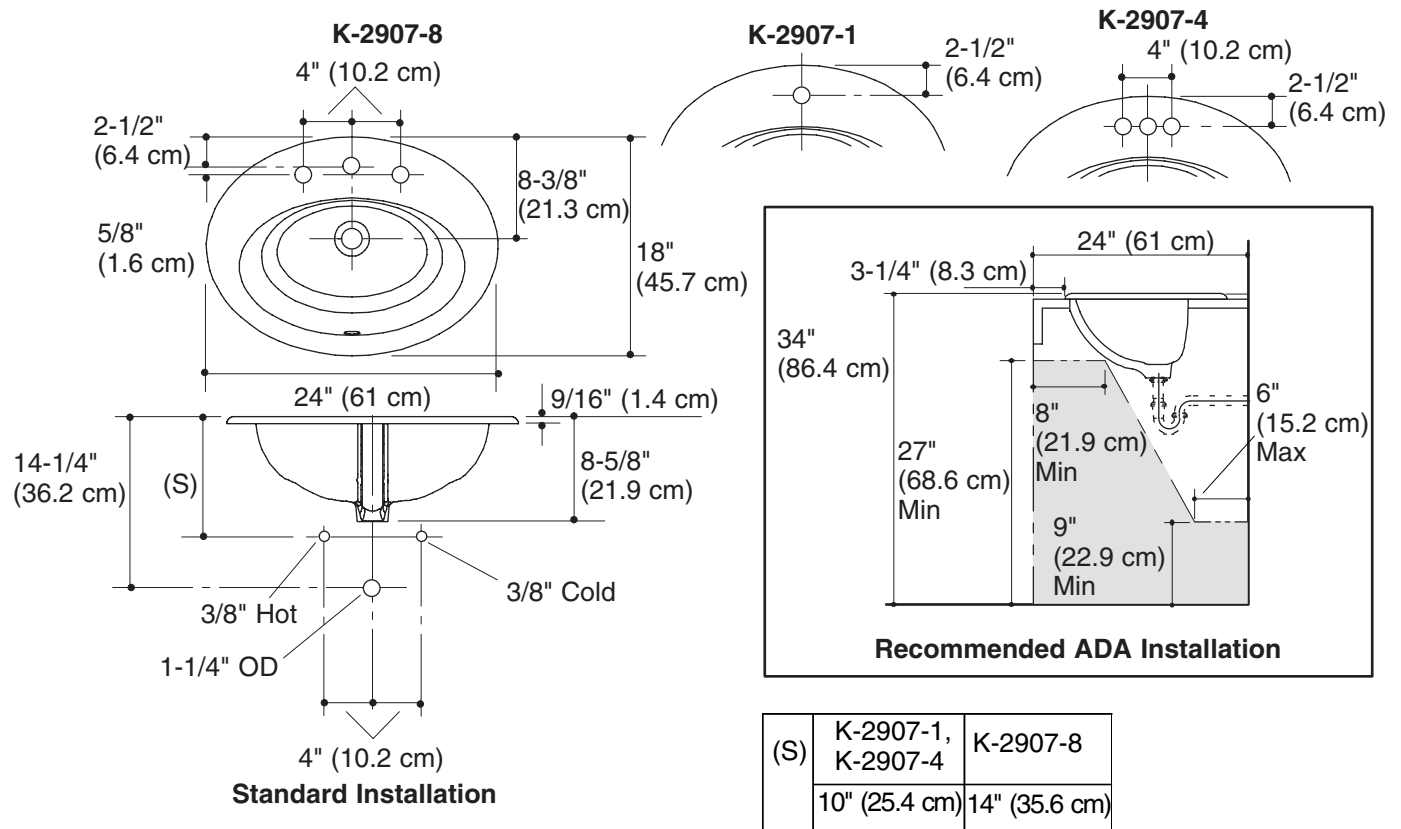
Fixture*:	
Basin area	19" (48.3 cm) x 11" (28 cm)
Water depth	4-3/4" (12.1 cm)
Drain hole	1-11/16" (4.3 cm) D.
* Approximate measurements for comparison only.	

Holes	K-2907-1	K-2907-4	K-2907-8
Spout	1-3/8" (3.5 cm) D.	1-1/8" (2.9 cm) D.	1-1/8" (2.9 cm) D.
Faucet	NA	1-3/16" (3 cm) D.	1-3/8" (3.5 cm) D.

Included components:	
Overflow ferrule (1)	84896
Cut-out template	114535-7

Installation Notes

Install this product according to the installation guide.



Product Diagram