

Sensorflo® AC Powered Lavatory Faucet

MODELS:

- ❑ S-9217-CA-E: Gooseneck faucet, manual override valve with 4 in. deck plate.
- ❑ S-9218-CA-E: Gooseneck faucet, manual override valve with 4 in. deck plate, under counter mechanical mixer with built-in backflow check valves.
- ❑ S-9227-CA-E: Gooseneck faucet, manual override valve with 8 in. deck plate.
- ❑ S-9228-CA-E: Gooseneck faucet, manual override valve with 8 in. deck plate, under counter mechanical mixer with built-in backflow check valves.

FEATURES:

- Brass housing and brass spout.
- Solenoid with built-in filter.
- UL/CSA approved transformer 120 VAC to 12 VDC with waterproof connectors.
- Lead-free construction.
- 120-second time out feature.
- Water conserving vandal-resistant flow control reduces flow to 0.5 gpm (1.89 L/min).
- NOTE: stainless steel flexible supply hose(s), 3/8 in. compression, to supply stop(s) not included, see add-ons below.

COMPLIANCE:

- ASME A112.18.1/CSA B125.1 certified
- NSF 61 certified
- NSF 372 certified

FINISH:



PC

ADD-ONS:

- 0.5 gpm Boca spray outlet & 1.5 gpm laminar flow outlet kit
- Two (2) stainless steel flexible supply hoses to supply stops
- One (1) stainless steel hose for tempered water systems (S-9217, 9227 only)
- Under counter thermostatic mixing valve (S-9217, 9227 only)
- 1.2 gpm laminar flow outlet
- 1.2 gpm aerator

- ❑ A-BOLF
- ❑ A-HS
- ❑ A-HTS
- ❑ A-TMV
- ❑ A-ELF
- ❑ A-EA12

OPTION: Add suffix to model

- Less transformer

- ❑ -LT

WARRANTY:

- 5 Year Limited

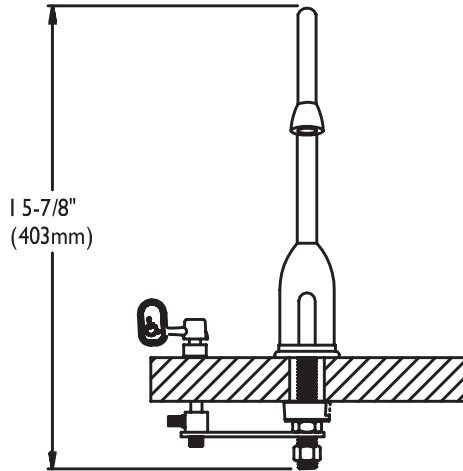
S-9217-CA-E
S-9218-CA-E



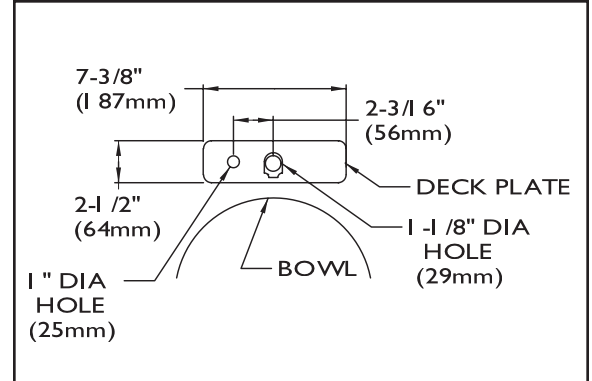
S-9227-CA-E
S-9228-CA-E



DIMENSIONS: NOTE: 1. All dimensions are in inches (millimeters) unless otherwise specified and are subject to change without notice.
 2. Inlet is 3/8" compression with male threads. Position faucet as close to the edge of the sink as possible.



S-9217-CA-E
 S-9218-CA-E



S-9227-CA-E
 S-9228-CA-E

