

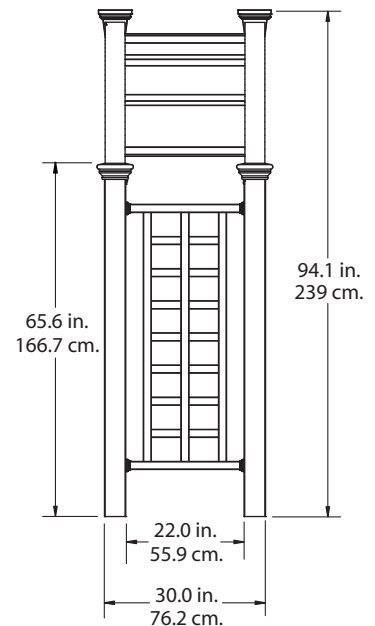
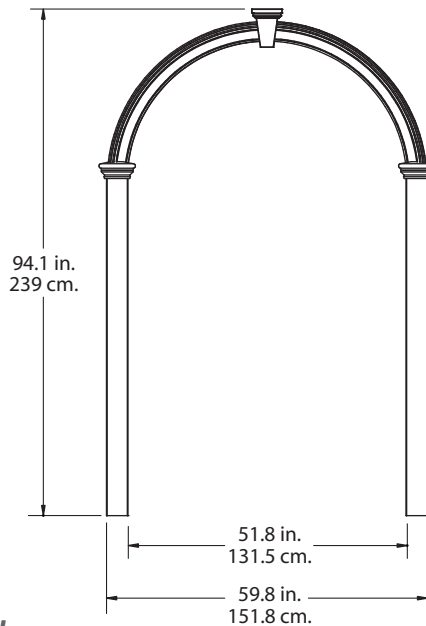
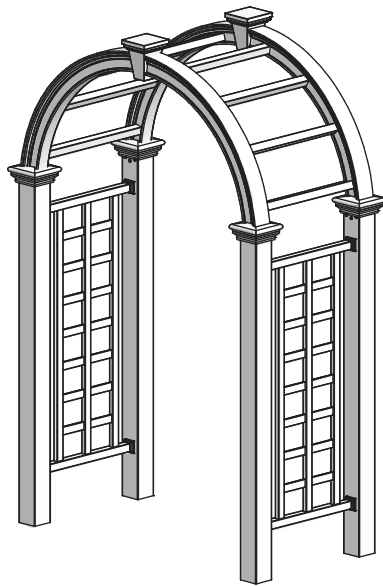
ASSEMBLY INSTRUCTIONS

New England
Arbors

Leadership by Design

www.newenglandarbors.com

The Nantucket Deluxe Arbor



Please read through before starting assembly.

IMPORTANT: CHECK THE INSIDE OF YOUR POSTS FOR ALL MATERIALS.

Check Box for These Contents

In the event of missing or defective parts please call our customer service dept. at **1 800 282 9346, ext #20** (Mon. to Fri. 8:00 AM to 4:00 PM EST).

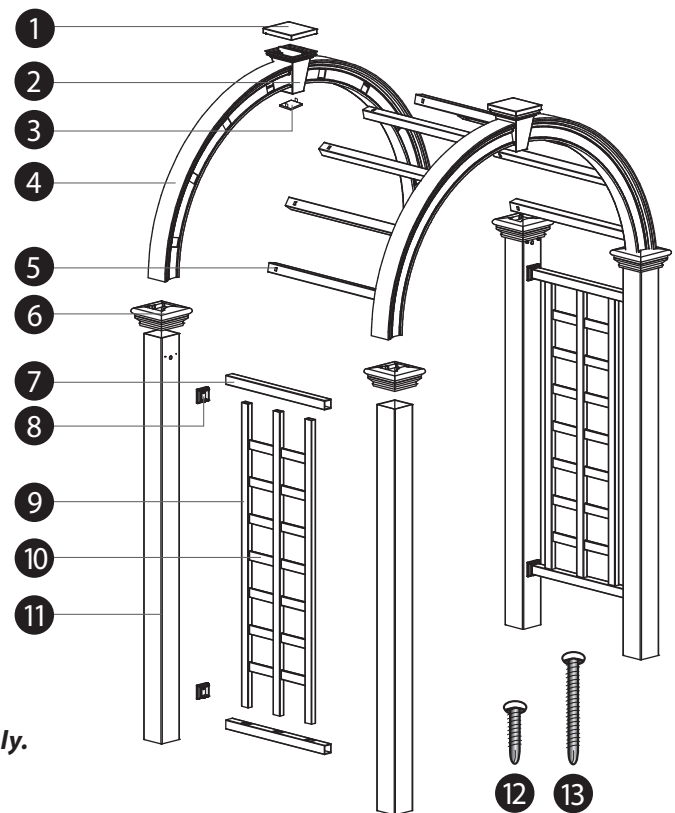
1. Keystone Top Lid (2)
2. Arch Keystones (2)
3. Keystone Bottom Plate (2)
4. Arches (4)
5. Arch Rafters (8) 1 1/2" x 1 1/2" x 27.9"
6. Post Caps (4)
7. Side Panel Horizontal Rails (4) 1 1/2" x 1 1/2" x 21.75"
8. Sur-Fit Bracket for Side Panel Horizontals (8)
9. Side Panel Vertical Spindles (6) 7/8" x 1 1/2" x 49"
10. Side Panel Horizontal Spindles (14) 1/4" x 1 1/2" x 15.25"
11. Posts (4) 4' x 4' x 65.5"
12. #8 x 1 1/2 in. (3.8 cm.) Stainless Steel Screws (for Sur-Fit Brackets) (24)
13. #8 x 2 1/2 in. (6.4 cm.) Stainless Steel Screws (for Keystone and Arch to Post Connection) (16)

Tools You Will Need

- Hammer
- Tape Measure
- Level
- Stool or Short Ladder
- Shovel or Auger
- Cordless Drill

General Information

- **Read Instructions through carefully before beginning assembly.**
- When assembling components, place on a non-abrasive surface (i.e. shipping box) to avoid scratching.
- We recommend an area approx 10' x 8' for unobstructed assembling.
- You should not need to use excessive force when assembling components.



(Not to scale)