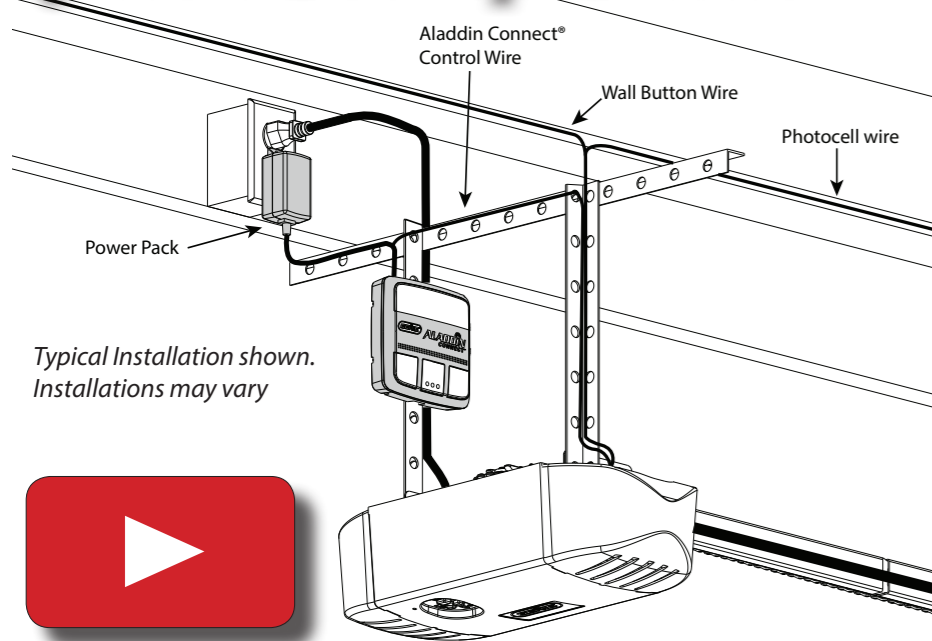




# Quick Set-up Guide

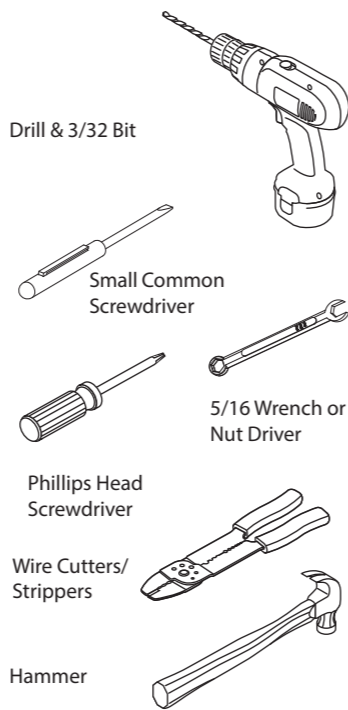


Scan for the Aladdin Connect® installation video



Scan here for additional Aladdin Connect® information

### Recommended Tools



### Included Components



## IMPORTANT SAFETY INSTRUCTIONS WARNING

**TO REDUCE THE RISK OF SEVERE INJURY OR DEATH, READ AND FOLLOW ALL INSTRUCTIONS.**

1. NEVER let children operate or play with the door controls.
2. Keep remote away from children.
3. Locate the wall control button: A) Within sight of door. B) At a minimum height of 5 feet, so small children cannot reach it.
4. Install the entrapment WARNING label next to the wall button or console, in a prominent location.
5. NO ONE SHOULD CROSS THE PATH OF THE MOVING DOOR.
6. NEVER GO UNDER A STOPPED, PARTIALLY OPEN DOOR.
7. The Aladdin Connect® operating system is designed for unattended operation. The door could move unexpectedly.
8. DO NOT install Aladdin Connect® on garage door openers manufactured prior to 1993 without photocell non-contact safety sensors.
9. DO NOT install on one-piece doors
10. **Install DCM in a location where it can be seen and heard while standing in the door opening with the door in the open position.**

**SAVE THESE INSTRUCTIONS**

## CONSIGNES DE SÉCURITÉ IMPORTANTES AVERTISSEMENT

**POUR RÉDUIRE LE RISQUE DE BLESSURES GRAVES VOIRE MORTELLES, LIRE ET COMPRENDRE TOUTES LES INSTRUCTIONS.**

1. NE JAMAIS laisser les enfants utiliser ou jouer avec les commandes de l'ouvre-porte.
2. Tenir les télécommandes hors de la portée des enfants.
3. Localiser le bouton de la console murale : A) En vue de la porte. B) À une hauteur minimale de 1,5 m afin que les jeunes enfants ne puissent pas l'atteindre.
4. Placer l'étiquette d'AVERTISSEMENT en cas de coinçage à proximité du bouton mural ou de la console murale de manière à ce qu'elle soit bien en évidence.
5. NE JAMAIS PASSER SOUS LA PORTE EN MOUVEMENT.
6. NE JAMAIS PASSER SOUS UNE PORTE À L'ARRÊT PARTIELLEMENT OUVERTE.
7. Le système d'exploitation Aladdin Connect® a été conçu pour fonctionner sans surveillance. La porte peut se déplacer de façon inattendue.
8. NE PAS installer Aladdin Connect® sur les ouvre-portes de garage fabriqués avant 1993, sans capteurs de sécurité photoélectrique sans contact.
9. NE PAS installer sur les portes d'une seule pièce.
10. Installez DCM dans un endroit où il peut être vu et entendu tout en se tenant dans l'ouverture de la porte avec la porte en position ouverte.

**CONSERVER CES INSTRUCTIONS**

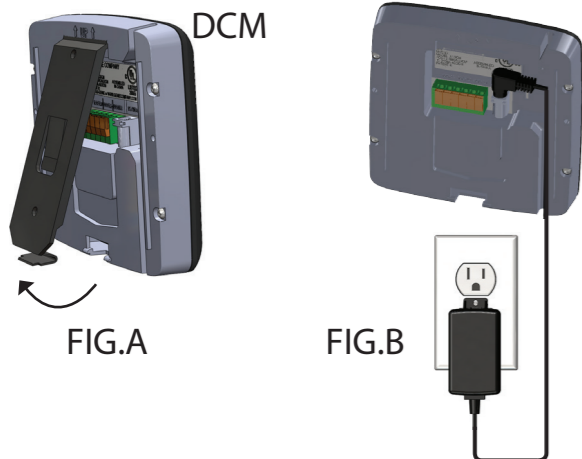
For a video of this installation, visit [www.GenieCompany.com/AladdinConnect/InstallationVideo](http://www.GenieCompany.com/AladdinConnect/InstallationVideo)  
**Need help or have questions? Contact Aladdin Connect® Customer Service at 1-866-599-4995**

### STEP 1

**In the Home close to Wi-Fi Router:**

"Wi-Fi router must meet these specifications: 802.11 b/g/n, 2.4GHz with WPA2 or WPA Security"

1. Remove mounting bracket from back of DCM. FIG.A,
2. Plug Aladdin Connect® into wall outlet with Power Pack. FIG. B.
3. Plug Power Pack into DCM controller.



**NOTE:** Customers using control apps from other vendors and NOT using the Aladdin Connect® app to control this system will need to visit [www.GenieCompany.com/AladdinConnect](http://www.GenieCompany.com/AladdinConnect) for specific Wi-Fi instructions.

39386503966, 04/2018

### STEP 2

**In the Home close to Wi-Fi Router:**

**Download the Aladdin Connect® app.**

1. Scan the QR code below or visit your devices app store to start the setup of the Aladdin Connect® device.

**Search your app store for Aladdin Connect**

2. Follow the on-screen menus to create an account and program system prior to wiring in the garage.
3. At the installation prompt, disconnect Power Pack and move system to the garage.



Scan for iOS app



Apple and the Apple logo are trademarks of Apple Inc., registered in the U.S. and other countries. App Store is a service mark of Apple Inc.

Scan for Android app



### STEP 3

**In the Garage:**

These factors must be determined prior to mounting Aladdin Connect® (DCM) to the wall or ceiling.

#### 1. Optimal Wi-Fi signal strength.

If an optimal signal cannot be located within the garage, move the wireless router closer to the garage or install a Wi-Fi range extender (Available from most electronic stores)

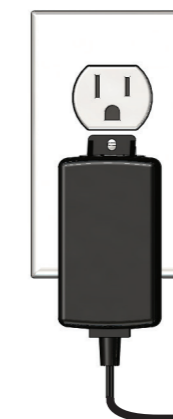
#### 2. Desired DCM location.

#### 3. Access to 110VAC outlet within 5 feet.

1. Plug Power Pack into wall outlet and DCM near the chosen mounting location.

The Wi-Fi signal indicator LED should illuminate signaling that the Wi-Fi signal is still in tact.

- A **GREEN** LED indicates a good Wi-Fi signal.
  - A **RED** LED, indicates a lost or faulty signal. Move Aladdin Connect® to a position that better suits the Wi-Fi signal from the router. Contact Customer Service for further assistance. (1-866-599-4995)
2. Once an **optimal** signal and location is obtained, **UNPLUG** Power Pack from the DCM and continue to **STEP 4.**



Wi-Fi Signal Indicator  
 GOOD -- POOR



## WARNING

**UNPLUG GARAGE DOOR OPENER PRIOR TO INSTALLING ALADDIN CONNECT®**  
**Door may operate unexpectedly.**

## AVERTISSEMENT

**DÉBRANCHER L'OUVRE-PORTE DE GARAGE AVANT D'INSTALLER ALADDIN CONNECT®**  
**La porte peut fonctionner de façon inattendue.**



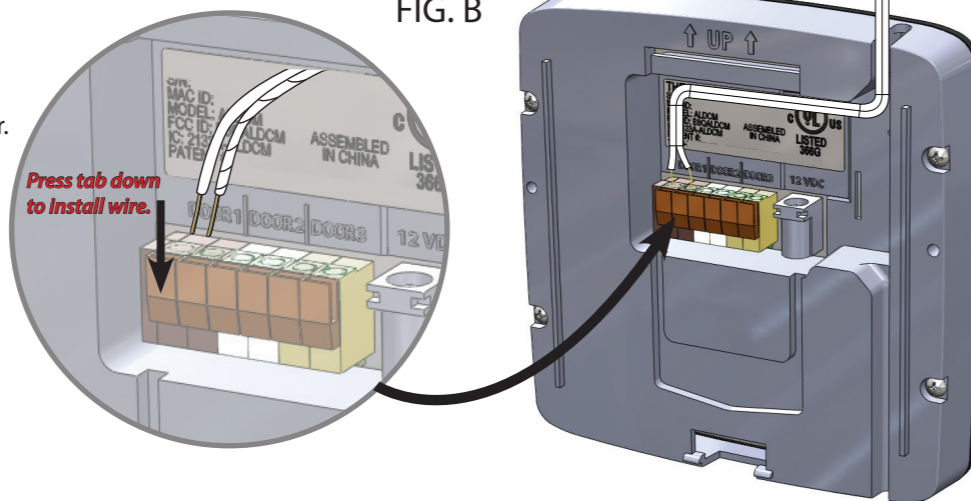
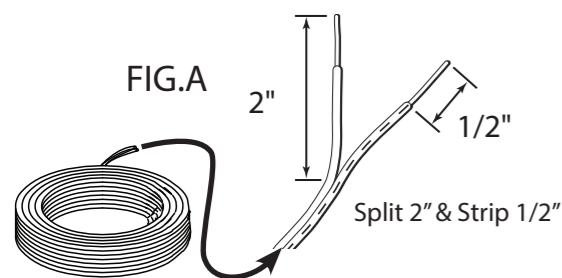
## STEP 4

### Wire Aladdin Connect®: (Single door install shown)

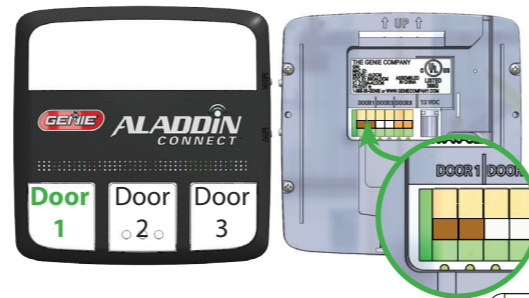
Aladdin Connect® will wire directly to the wall control connections at the powerhead or directly to the wall control. New Genie models shown.

Visit [www.GenieCompany.com/AladdinConnect](http://www.GenieCompany.com/AladdinConnect) for more information on older models and other brands of garage door openers.

1. Make sure garage door opener is unplugged.
  - Leave wire spool intact for this part of the install.
2. Split provided dual strand wire approximately 2 in. then strip 1/2 in. of insulation. FIG. A.
3. Press orange tabs down and insert both wires into connection points for DOOR 1 on the back of the DCM. FIG. B.
4. Trim and split the other end of the dual strand wire approximately 2 in. and then strip 1/2 in. of insulation. FIG. A.
5. Insert wire into wall control inputs either:
  - (OPTION A) Directly to the garage door opener.
  - OR
  - (OPTION B) To the Back of the wall control.



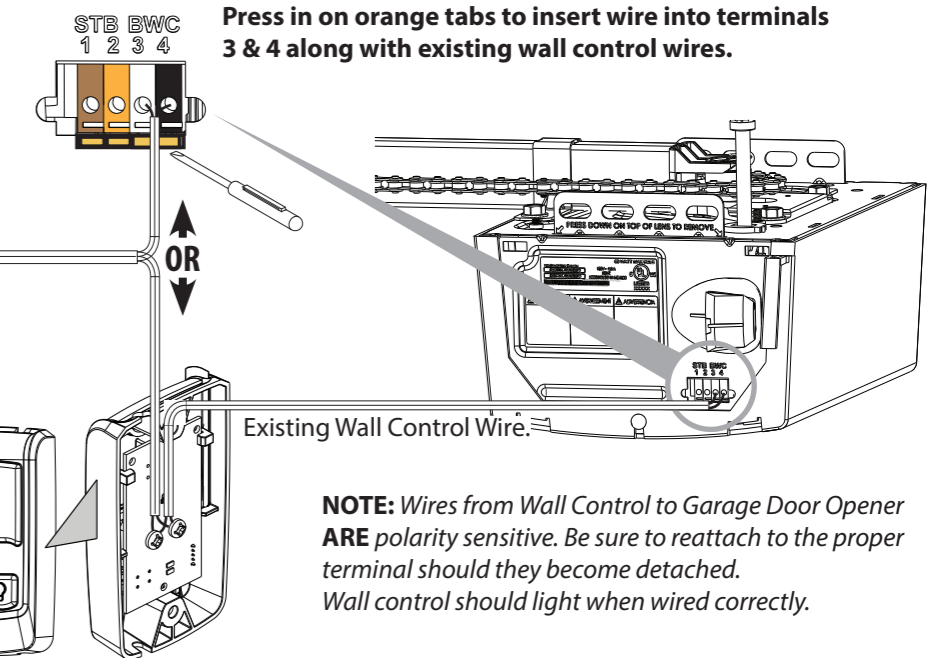
### Button & Connection Detail



Current model Genie® Brand opener shown. \*See note for other models and brands.

**OPTION A**  
Wire DCM Directly to Garage Door Opener

**OPTION B**  
Back of Wall Control  
Connect wire along with existing wall control wires.



**NOTE:** Wires from Wall Control to Garage Door Opener ARE polarity sensitive. Be sure to reattach to the proper terminal should they become detached. Wall control should light when wired correctly.

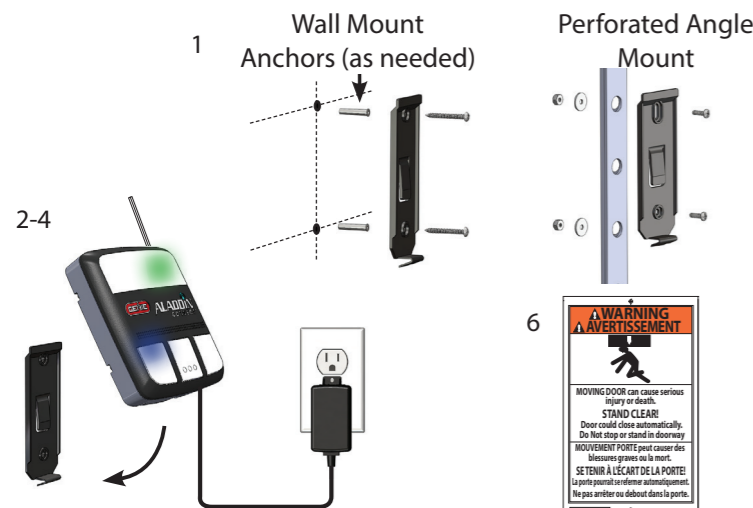
### \*Wiring methods for other garage door openers.

All Genie brand and most competitor brands of garage door openers will operate with Aladdin Connect®. Visit [www.GenieCompany.com/AladdinConnect](http://www.GenieCompany.com/AladdinConnect) to check compatibility with other manufacturer's controls or check your garage door opener's owners manual for wall control wiring instructions. Aladdin Connect® will operate up to 3 garage door openers.

## STEP 5

### Mount and Power Aladdin Connect®:

1. Using the DCM mounting bracket as a template at the optimal Wi-Fi location. Mark and drill 2-3/32" pilot holes and mount bracket to wall using supplied screws. If mounting to drywall, use anchors provided in kit or if mounting to perforated angle at opener location, use nuts, washers and screws provided.
  2. Plug Power Pack into wall outlet. An extended screw is provided to secure Power Pack to outlet if needed.
  3. Plug Power Pack into back of DCM as shown in **STEP 1**.
- NOTE:** LEDs on DCM will flash momentarily as it reacquires signals.
4. Snap DCM onto mounting bracket.
  5. Route wires and secure with supplied staples.
  6. Affix the warning placard next to wall control or DCM in plain sight to signify that the door will operate remotely.



## STEP 6

### Mount DPS Module to Garage Door:

DO NOT remove the battery "PULL TAB" from DPS until directed by the app. The DPS should be mounted on the **TOP door panel** only. Mount to steel reinforced end stile on the far left or right under the top hinge. DO NOT mount to unreinforced door panel.

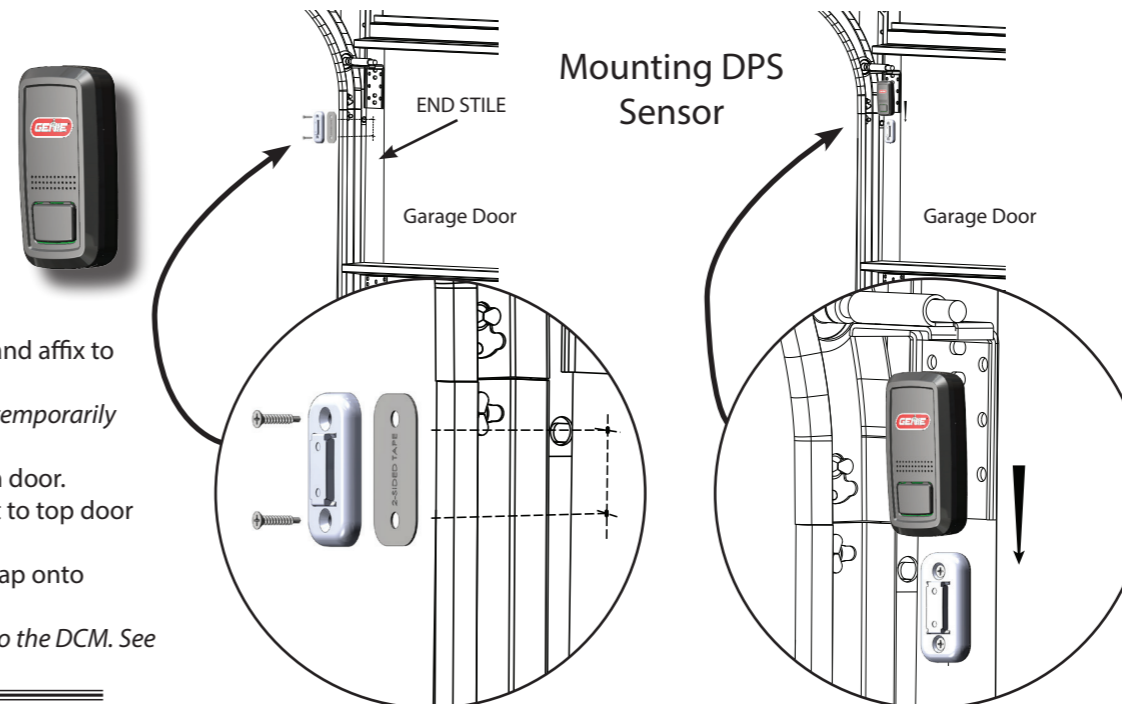
1. Clean door where DPS will mount.
  2. Install double sided tape to back of mounting bracket and affix to door.
- NOTE:** Double sided tape is designed to hold bracket in place temporarily only. Not to be used for permanent mounting.
3. Pre-drill 2 - 3/32 holes. DO NOT drill all the way through door.
  4. Use included self tapping screws to mount DPS bracket to top door panel end stile.
  5. Slide DPS down onto mounting bracket. DPS should snap onto bracket.

**NOTE:** The DPS included with this kit is already programmed to the DCM. See the NOTE under **STEP 7** regarding additional sensors (DPS).

## STEP 7

### Complete the Programming:

1. Restore power to the garage door opener.
  2. Follow the on screen prompts to complete the set-up and test the Aladdin Connect® system.
- NOTE:** This kit includes one DPS for use with one door only. The DPS included is already programmed to the DCM. Additional sensors can be purchased separately from your local Genie retailer. To program additional sensors, first complete STEP 7 initial setups and programming, then go to "Add a Door Sensor" under the "Doors" tab inside the app or view the installation video at [www.GenieCompany.com/AladdinConnect/InstallationVideo](http://www.GenieCompany.com/AladdinConnect/InstallationVideo).
- NOTE:** A white light will flash and an audible beep will sound as an indication that the door is about to move when commanded by the Aladdin Connect® or other compatible app(s).



### Features:

If the garage door opener is operated by any means, the Genie Aladdin Connect® app will send an alert to your device indicating the status of the garage door. A log is also created to indicate when the door was operated and by what means. Visit [www.GenieCompany.com/AladdinConnect](http://www.GenieCompany.com/AladdinConnect) for more information.

**STOP DO NOT RETURN PRODUCT TO STORE.**  
For technical assistance, contact Aladdin Connect® Customer Service at: **1-866-599-4995** or watch the installation video at: **www.GenieCompany.com**