

**DUSK TO DAWN**

**SPEC SHEET**

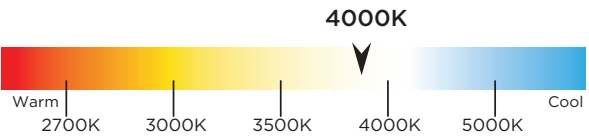


Commercial Electric's Architectural Series LED Outdoor Security Floodlight is packaged in a robust and stunningly designed die-cast aluminum housing featuring the latest high-performance LED chips providing 85% energy savings.

LED TECHNOLOGY LIGHTING PERFORMANCE

<b>LUMENS</b>	5000
<b>SYSTEM WATTAGE</b>	50
<b>MOUNTING</b>	1/2 in. NPS Knuckle Male Thread
<b>FREQUENCY</b>	50-60 HZ
<b>THD</b>	<20%
<b>PF</b>	>0.9
<b>AMBIENT OPERATING RANGE</b>	-20-40°C
<b>INPUT VOLTAGE</b>	120-277V
<b>EFFICACY</b>	>100 LM/W
<b>DRIVER</b>	YG* dimming driver technology
<b>DRIVER EFFICIENCY</b>	>85%
<b>STANDARD LIFETIME</b>	>50,000 hours
<b>STANDARD WARRANTY</b>	5 Years
<b>WATER PROOFING GRADE</b>	IP66
<b>WEIGHT</b>	6.6 lbs
<b>EFFECTIVE PROJECTED AREA (EPA-ft<sup>2</sup>)</b>	0° Aim — 0.351 45° Aim — 0.415 90° Aim — 0.500
<b>CCT</b>	4000 Kelvins
<b>DIMENSIONS</b>	7.77" x 5.10" x 8.86"

**LIGHT APPEARANCE (CCT)**



**PRODUCT PERFORMANCE AT A GLANCE**

SYSTEM WATTAGE	LED WATTAGE	LUMENS	LP/W	CRI	REPLACES (MH)
50W	45W	5000 lm	100 lm/w	≥80	150W

**HOUSING**

Single piece die cast aluminum housing, which also acts as a heat sink, designed to ensure high efficacy and abundant cooling by natural convection passive airflow to maximize LEDs and driver performance and life.

**OPTICS**

Wide beam flood distribution. Optimized to target lumens evenly on target and provide superior lighting uniformity. LEDs and refractor are protected by a heat and impact resistant tempered glass lens.

**FINISH**

Fade, weather, and abrasion resistant, electrostatically applied, thermally cured, triglycidyl isocyanurate (TGIC) textured polyester powdercoat finish. Paint is dark bronze.

**IP RATING & LISTINGS**

LED light engine is weather proof rated IP66.

DLC 4.2, cULus, FCC Certified

**MOUNTING**

Integral die cast aluminum adjustable knuckle with 1/2" NPS male threads, made of a low copper-content aluminum alloy for resistance to corrosion. Has locking teeth and bolt to lock in aiming angle. Ships fully assembled, ready to install.

Mounts to most domed junction box cover plates with center hole or most standard landscape posts.

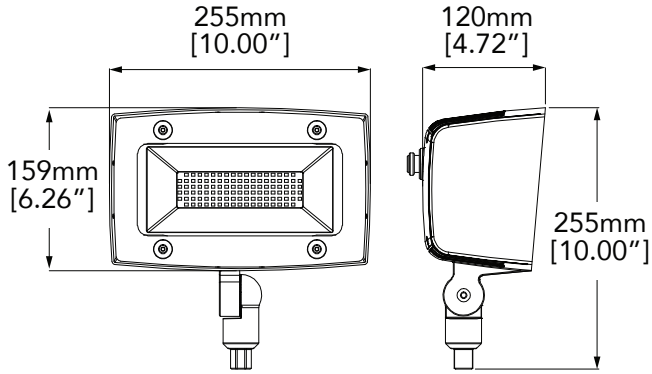
Can be mounted in upward or downward orientation.

**APPLICATION**

The wide mounting flexibility makes this the ideal light for landscape lighting, building facade and signage, entry ways, garages, corners, building perimeters, architectural wall lighting, loading bays and general illumination.

\*All results according to IESNA - LM79-2008  
\*Light Output reported as total integrated lumens (light source & fixture)

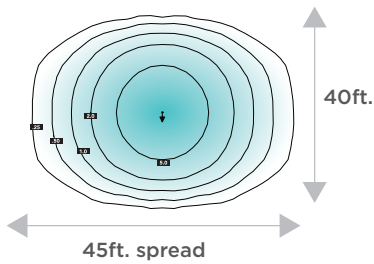
**PRODUCT LINE DRAWING**



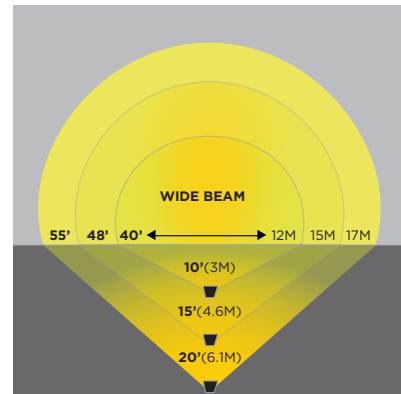
**SUGGESTED MOUNTING HEIGHT:**  
15-30FT. (4.6-9.1M)

**2D PHOTOMETRIC VIEW**

MOUNTED AT 10FT.



**3D PHOTOMETRIC VIEW**



**APPLICATIONS**

