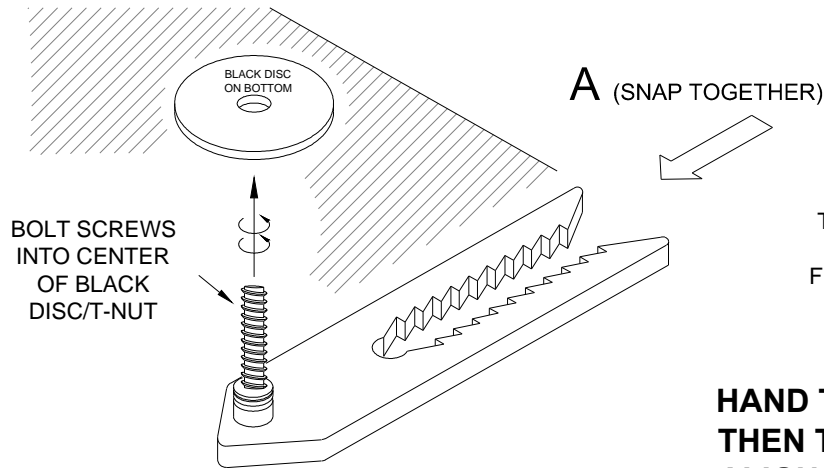
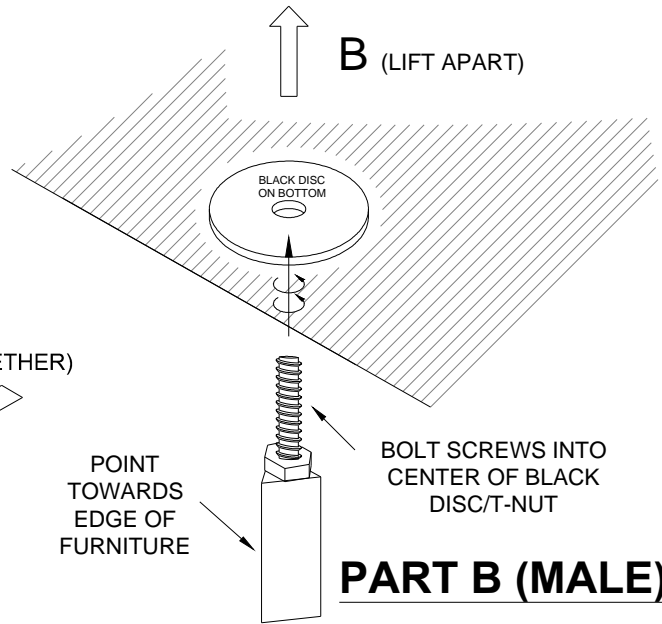


ON THE BOTTOM OF FURNITURE, ATTACH **PART A** OF THE BRACKET BY SCREWING BOLT INTO THE CENTER HOLE OF THE BLACK DISC/T-NUT ON THE BLACK DUST COVER. REPEAT WITH **PART B** OF BRACKET TO THE **ADJOINING** PIECE OF FURNITURE

SNAP THE FURNITURE INTO PLACE FOLLOWING THE DIRECTION OF 'A' ARROW. TO DISENGAGE, LIFT APART FOLLOWING THE DIRECTION OF 'B' ARROW.
DO NOT PULL APART IN THE DIRECTION OF 'A' ARROW



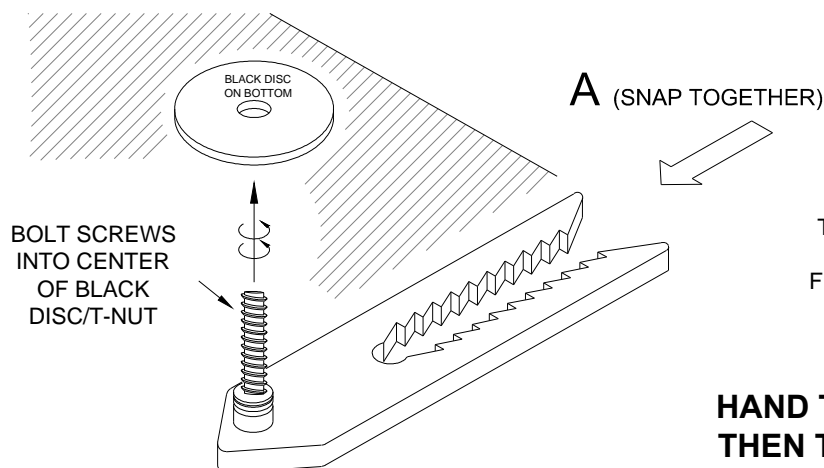
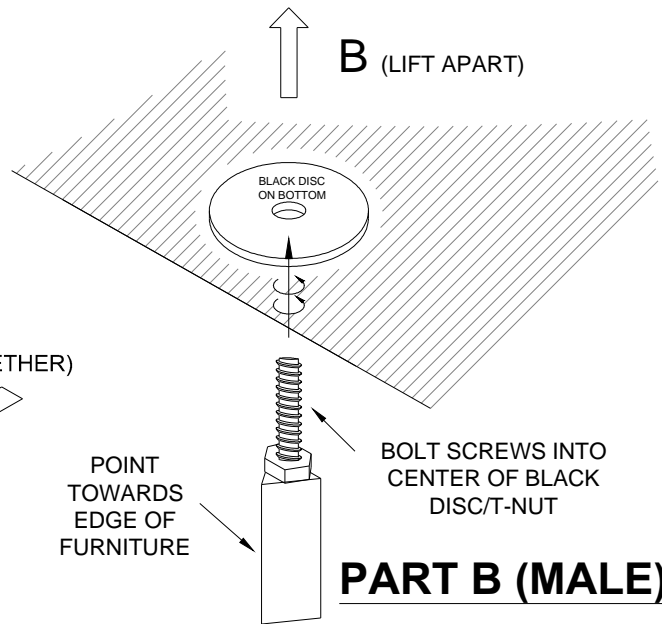
PART A (FEMALE)

PART B (MALE)

HAND TIGHTEN MALE CONNECTOR (PART B) THEN TURN AN ADDITIONAL 1/4 TURN TO ALIGN POINT TO EDGE OF FRAME AND TO INSERT INTO (PART A) ON ADJOINING FRAME

ON THE BOTTOM OF FURNITURE, ATTACH **PART A** OF THE BRACKET BY SCREWING BOLT INTO THE CENTER HOLE OF THE BLACK DISC/T-NUT ON THE BLACK DUST COVER. REPEAT WITH **PART B** OF BRACKET TO THE **ADJOINING** PIECE OF FURNITURE

SNAP THE FURNITURE INTO PLACE FOLLOWING THE DIRECTION OF 'A' ARROW. TO DISENGAGE, LIFT APART FOLLOWING THE DIRECTION OF 'B' ARROW.
DO NOT PULL APART IN THE DIRECTION OF 'A' ARROW



PART A (FEMALE)

PART B (MALE)

HAND TIGHTEN MALE CONNECTOR (PART B) THEN TURN AN ADDITIONAL 1/4 TURN TO ALIGN POINT TO EDGE OF FRAME AND TO INSERT INTO (PART A) ON ADJOINING FRAME