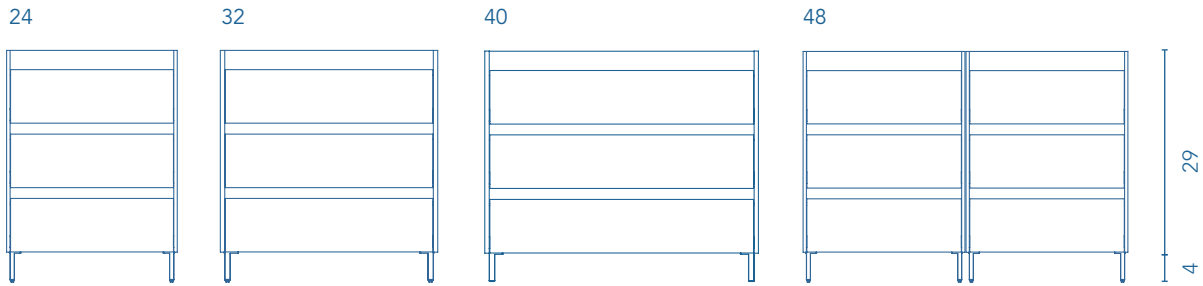


SANSA

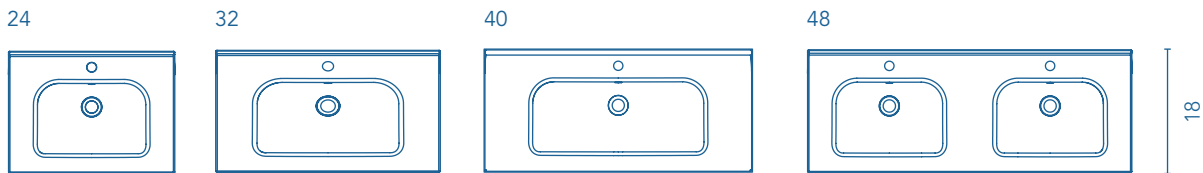
UNITS

Depth 18



WASHBASIN

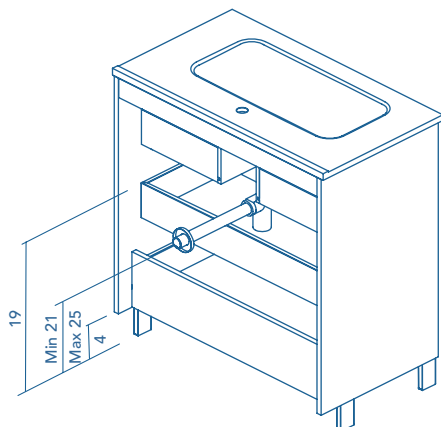
Slim



TECHNICAL INFORMATION

- STRUCTURE:** High gloss lacquered 5/8 in. board and 5/8 in. melamine board.
- FRONT:** High gloss lacquered 5/8 in. board and 5/8 in. melamine board.
- DRAWER:** Drawers made in grey textile poly laminate coated board with high quality hidden partial extraction runners with soft close system. Includes organizer for small items in upper drawer. Lower drawer useful space (widthxhighxdepth): 20x4x13 in.(unit 24 in.), 28x4x13 in.(unit 32 in.)
- LEGS:** Metallic in bright chrome finish with adjustable legs included in unit.
- PIPE DEPTH:** Pipe depth 3 in.

SIPHON PLACEMENT



Finishes



SANDY GREY

ESSENCE WENGE

WHITE