

OPERATOR'S MANUAL

Front Engine Lawn Tractor

Record Product Information

Before setting up and operating your new equipment, please locate the model plate on the equipment and record the information in the provided area to the right. You can locate the model plate by lifting up the seat and looking under the seat pan. This information will be necessary, should you seek technical support via our web site or with your local authorized service dealer.

MODEL NUMBER

--	--	--	--	--	--	--	--	--	--	--	--

SERIAL NUMBER

--	--	--	--	--	--	--	--	--	--	--	--

Table of Contents

<i>Important Safe Operation Practices</i>	2	<i>Service and Maintenance</i>	17
<i>Assembly</i>	7	<i>Troubleshooting</i>	24
<i>Operation</i>	11	<i>Parts/Warranty</i>	See Separate Supplement

⚠ WARNING

Read and follow all safety rules and instructions in this manual before attempting to operate this machine. Failure to comply with these instructions may result in personal injury.

⚠ WARNING

California Proposition 65

Engine Exhaust, some of its constituents, and certain vehicle components contain or emit chemicals known to State of California to cause cancer and birth defects or other reproductive harm.


Battery posts, terminals, and related accessories contain lead and lead compounds, chemicals known to the State of California to cause cancer and reproductive harm. Wash hands after handling.

NOTE: This Operator's Manual covers several models. Features may vary by model. Not all features in this manual are applicable to all models and the model depicted may differ from yours.



SAFE OPERATIONS PRACTICES

WARNING

 This symbol points out important safety instructions which, if not followed, could endanger the personal safety and/or property of yourself and others. Read and follow all instructions in this manual before attempting to operate this machine. Failure to comply with these instructions may result in personal injury. When you see this symbol, **HEED ITS WARNING!**

DANGER

This machine was built to be operated according to the safe operation practices in this manual. As with any type of power equipment, carelessness or error on the part of the operator can result in serious injury. This machine is capable of amputating fingers, hands, toes and feet and throwing debris. Failure to observe the following safety instructions could result in serious injury or death.

General Operation

1. Read, understand, and follow all instructions on the tractor and in the manual(s) before attempting to assemble and operate. Keep this manual in a safe place for future and regular reference and for ordering replacement parts.
2. Be familiar with all controls and their proper operation. Know how to stop the tractor and disengage them quickly.
3. Never allow children under 14 years of age to operate this tractor. Children 14 and over should read and understand the instructions and safe operation practices in this manual and on the tractor and should be trained and supervised by an adult.
4. Never allow adults to operate this tractor without proper instruction.
5. If situations occur which are not covered in this manual, use care and good judgment. Contact your customer service representative for assistance.
6. According to the U.S. Consumer Products Safety Commission (CPSC) and the U.S. Environmental Protection Agency (EPA), this product has an estimated useful life of seven (7) years, under ordinary use conditions. At the end of its useful life, have the product inspected annually to ensure all mechanical and safety systems are operating properly, safely, and are not worn excessively. Failure to do so may result in accident, injury, or death.

Preparation Before Operating

1. Thoroughly inspect the area where the tractor is to be used. Remove all stones, sticks, wire, bones, toys, and other foreign objects which could be picked up and thrown by the blade(s). Thrown objects can cause serious personal injury.
2. To help avoid blade contact or a thrown object injury, keep helpers at least 75 feet (23 meters) from the tractor while it is in operation. Keep bystanders, children and pets inside during operation. Stop tractor if anyone enters the area.
3. Be aware of the tractor discharge direction and do not point it at anyone.
4. Always wear safety glasses or safety goggles during operation and while performing an adjustment or repair to protect your eyes. Thrown objects which ricochet can cause serious injury to the eyes.
5. Wear sturdy, rough-soled work shoes and close-fitting slacks and shirts. Loose fitting clothes, jewelry and long hair can be caught in moving parts. Never operate this tractor in bare feet or sandals.
6. Never over fill fuel tank. Fill tank to no more than ½" (13mm) below bottom of filler neck to allow space for fuel expansion.
7. Replace gasoline cap and tighten securely.
8. Use only accessories and attachments approved for this tractor by the tractor manufacturer. Read, understand and follow all instructions provided with the approved accessory or attachment.

Operating

1. Data indicates that operators, age 65 years and above, are involved in a large percentage of riding tractor-related injuries. These operators should evaluate their ability to operate the riding tractor safely enough to protect themselves and others from serious injury.
2. Disengage the blades and set the parking brake before attempting to start the tractor.
3. Do not put hands or feet near rotating parts or under the cutting deck. Contact with the blade(s) can amputate hands and feet.
4. Watch for holes, ruts, bumps, rocks, or other hidden objects. Uneven terrain could overturn the tractor. Tall grass can hide obstacles.
5. Plan your mowing pattern to avoid discharge of material toward roads, sidewalks, helpers and the like. Avoid discharging material against a wall or obstruction which may cause discharged material to ricochet back toward the operator.
6. Check overhead clearances carefully before driving under low hanging tree branches, wires, door openings etc., where the operator may be struck or pulled from the tractor, which could result in serious injury.
7. Never leave a running tractor unattended. Always turn off blade(s), set the parking brake, stop the engine and remove the key before dismounting.
8. Disengage blade(s), set the parking brake, stop engine and wait until the blade(s) come to a complete stop before removing grass catcher, emptying grass, unclogging chute, removing any grass or debris, or making any adjustments.
9. Your tractor is designed to cut normal residential grass of a height no more than 10" (25cm). Do not attempt to mow through unusually tall, dry grass (e.g. pasture) or piles of dry leaves. Dry grass or leaves may contact the engine exhaust and/or build up on the tractor deck presenting a potential fire hazard.
10. Back up slowly. Always look down and behind before and while backing to avoid a back-over accident.
11. Never carry passengers.
12. Stay at least 10 feet (3 meters) from drop-offs, ditches, embankments or the edge of water. The tractor could suddenly turn over if a wheel is over the edge of a cliff, ditch, or if an edge caves in.
13. A missing or damaged chute deflector can cause blade contact or thrown object injuries.
14. Do not operate the tractor without the chute deflector or entire grass catcher in its proper place.
15. Use extra care with grass catchers or other attachments. These can change the stability of the tractor. Always follow the attachment manufacturer's instructions.
16. Stop the blades when crossing gravel drives, walks, or roads and while not cutting grass.

SAFE OPERATIONS PRACTICES

17. Watch for traffic when operating near or crossing roadways. This tractor is not intended for use on any public roadway.
18. Mow only in daylight or good artificial light.
19. Do not operate the tractor while under the influence of alcohol or drugs.
20. Slow down before turning. Operate the tractor smoothly. Avoid erratic operation and excessive speed.
21. The muffler and engine become very hot and can cause serious burn injuries. Do not touch. Allow the tractor to cool for five minutes before attempting any service.
22. Never run an engine indoors or in a poorly ventilated area. Engine exhaust contains carbon monoxide, an odorless, and deadly gas.

Children

1. Tragic accidents can occur if the operator is not alert to the presence of children. Children are often attracted to the tractor and the mowing activity. They do not understand the dangers. Never assume that children will remain where you last saw them.
2. Keep bystanders, children and pets inside during operation under the watchful care of a responsible adult other than the operator. Stop tractor if anyone enters the area.
3. Never carry children, even with the blades shut off. They may fall off and be seriously injured or interfere with safe tractor operation. Children who have been given rides in the past could suddenly appear in the mowing area for another ride and be run over or backed over by the tractor.
4. Be alert and turn tractor off if a child or bystander enters the area.
5. To avoid back-over accidents, always look behind and down for small children.
6. Use extreme care when approaching blind corners, doorways, shrubs, trees or other objects that may block your vision of a child who may run into the path of the tractor.
7. Never allow children under 14 years of age to operate this tractor. Children 14 and over should read and understand the instructions and safe operation practices in this manual and on the tractor and should be trained and supervised by an adult.
8. Do not allow any child to joy ride on the tractor. The tractor is not a toy or a go-cart. Warn your children that the tractor can be dangerous and they must stay away from it at all times.
9. Keep children away from hot or running engines. They can suffer burns from a hot muffler.
10. Remove key when tractor is unattended to prevent unauthorized operation. Make certain the key is inaccessible to small children.

Slope Operation

1. Slopes are a major factor related to loss of control and tip-over accidents which can result in severe injury or death. All slopes require extra caution. If you cannot back up the slope or if you feel uneasy on it, do not mow it.
2. For your safety, measure any slope before using the tractor on the sloped area. Use a slope measuring device in addition to the slope gauge included as part of this manual to measure slopes before operating this tractor on a sloped or hilly area. Smart phone applications can be also utilized to measure slopes. If the slope is greater than 15 degrees (25%) as shown on the slope gauge or a slope measuring device, do not operate this tractor on that area or serious injury could result.
3. Do not mow on slopes greater than 15 degrees (25%).
4. Do not mow across slopes, only mow up and down slopes that are less than 15 degrees (25%). Use low speeds and avoid sudden turns.

5. Do not mow on wet grass. Reduced traction could cause sliding or a loss of control.
6. Do not operate tractor under any conditions where traction, steering or stability is in question. Tires could slide even if the wheels are stopped.
7. Avoid starting and stopping on slopes. Avoid making sudden changes in speed or direction. Make turns slowly and gradually.
8. Use extra care while operating tractor with grass catcher or other attachment(s). They can affect the stability of the tractor. Do not use grass catcher on slopes greater than 10 degrees (17%).
9. Do not try to stabilize the tractor by putting your foot on the ground.
10. Keep all movement on slopes slow and gradual. Do not make sudden changes in speed or direction. Rapid acceleration could cause the front of the tractor to lift and rapidly roll over backwards, which could cause serious injury or death.

Fire & Fuel

1. To avoid personal injury or property damage use extreme care in handling gasoline. Gasoline is extremely flammable and the vapors are explosive. Serious personal injury can occur when gasoline is spilled on yourself or your clothes which can ignite. Wash your skin and change clothes immediately.
2. Extinguish all cigarettes, cigars, pipes and other sources of ignition.
3. Use only an approved gasoline container.
4. Never remove gas cap or add fuel while the engine is hot or running. Allow engine to cool at least five minutes before refueling.
5. Never fuel tractor indoors.
6. Never store the tractor or fuel container inside where there is an open flame, spark or pilot light as on a water heater, space heater, furnace, clothes dryer or other gas appliances.
7. If gasoline is spilled, wipe it off the engine and equipment. Clean up oil or fuel spillage and remove any fuel soaked debris. Move tractor to another area. Wait 5 minutes before starting the engine.
8. To reduce fire hazards, keep tractor free of grass, leaves, or other debris build-up. Follow the cleaning instructions in the Service & Maintenance section.
9. Your tractor is designed to cut normal residential grass of a height no more than 10" (25cm). Do not attempt to mow through unusually tall, dry grass (e.g., pasture) or piles of dry leaves. Dry grass or leaves may contact the engine exhaust and/or build up on the tractor deck presenting a potential fire hazard.
10. Never over fill fuel tank. Fill tank to no more than ½" below bottom of filler neck to allow space for fuel expansion.
11. Replace gasoline cap and tighten securely. Do not operate without fuel cap in place.
12. Allow a tractor to cool at least five minutes before fueling or storing.
13. Never fill containers inside a vehicle or on a truck or trailer bed with a plastic liner. Always place containers on the ground away from your vehicle before filling.
14. When practical, remove gas-powered equipment from the truck or trailer and refuel it on the ground. If this is not possible, then refuel such equipment on a trailer with a portable container, rather than from a gasoline dispenser nozzle.
15. Keep the nozzle in contact with the rim of the fuel tank or container opening at all times until fueling is complete. Do not use a nozzle lock-open device.

SAFE OPERATIONS PRACTICES

Hauling

1. Use properly secured full width ramps for loading and unloading a tractor for transport.
2. Use extra care when loading or unloading the tractor into a trailer or truck. This tractor should not be driven up or down ramp(s), because the tractor could tip over, causing serious personal injury. The tractor must be pushed manually on ramp(s) to load or unload properly.
3. Raise the deck to the highest position for loading clearance.

Towing With Your Tractor

1. Do not tow a load that exceeds 250 lbs (113 kg) rolling weight and never exceed 50 lbs (22 kg) tongue weight.
2. Do not attach towed equipment except at the hitch point of the tractor.
3. Never allow children or others in or on towed equipment.
4. Do not tow on slopes greater than 5 degrees (9%). On slopes, the weight of the towed equipment may cause loss of traction and loss of control and/or the ability to stop.
5. Always use extra caution when towing with a tractor capable of making tight turns (e.g. tight-turn tractor). Make wide turns to avoid jack-knifing.
6. Travel slowly and allow extra distance to stop.

Service

1. Keep machine in good working order. Do not use the tractor until worn or damaged parts are replaced.
2. To avoid serious injury or death, do not modify engine in any way. Tampering with the governor setting can lead to a runaway engine and cause it to operate at unsafe speeds. Never tamper with factory setting of engine governor. Do not change the engine governor settings or over-speed the engine. The governor controls the maximum safe operating speed of the engine.
3. Tractor blades are sharp. Wrap the blade or wear gloves, and use extra caution when servicing them.
4. Tractors with hydraulic pumps, hoses or motors; and/or diesel injections systems have fluid systems under pressure. Fluid escaping under pressure may have sufficient force to penetrate skin and cause serious injury. If fluid is injected into the skin, seek immediate medical attention. Keep body and hands away from pin holes or nozzles that eject fluid under high pressure. If a leak occurs, have the tractor immediately serviced by an authorized dealer.
5. Before cleaning, repairing, or inspecting, make certain the blade(s) and all moving parts have stopped. Turn off the engine, remove the key, and disconnect the spark plug wire(s) and ground against the engine to prevent unintended starting.
6. Check to make sure the blades come to complete stop in not more than (5) five seconds after disengaging the blade disengagement control per the schedule shown on the Maintenance Schedule chart in the Service and Maintenance section of this manual. Measure the stopping time with a stop watch. If the blades do not stop completely in less than five seconds, your tractor should be serviced professionally by an authorized dealer.
7. Check the safety interlock system for proper function per the schedule shown on the Maintenance Schedule chart in the Service and Maintenance section of this manual. If the safety interlock system does not function properly, have your tractor serviced professionally by an authorized dealer.
8. Never tamper with the safety interlock system or other safety devices. Check their proper operation regularly.

9. Check the blade(s) and engine mounting bolt torque in accordance to Maintenance Schedule chart in this manual. Also, visually inspect blade(s) for damage (e.g., excessive wear, bent, cracked). Replace the blade(s) with the original equipment manufacturer's (O.E.M.) blade(s) only.
10. Use of service parts which do not meet the original equipment specifications may lead to improper performance and compromise safety.
11. Keep all nuts, bolts, and screws tight to be sure the equipment is in safe working condition. Review the Maintenance Schedule chart in this manual for service interval information.
12. After striking a foreign object, stop the engine, disconnect the spark plug wire(s) and ground against the engine. Thoroughly inspect the tractor for any damage. Repair the damage before starting and operating.
13. Never attempt to make adjustments or repairs to the tractor while the engine is running.
14. Grass catcher components and the chute deflector are subject to wear and damage which could expose moving parts or allow objects to be thrown. Frequently check components and replace immediately with original equipment manufacturer's (O.E.M.) parts only.
15. Maintain or replace safety and instruction labels, as necessary.
16. Observe proper disposal laws and regulations for gas, oil, etc. to protect the environment.

Notice Regarding Emissions

Engines which are certified to comply with California and federal EPA emission regulations for SORE (Small Off Road Equipment) are certified to operate on regular unleaded gasoline, and may include the following emission control systems: Engine Modification (EM) and Three Way Catalyst (TWC) if so equipped.

When required, models are equipped with low permeation fuel lines and fuel tanks for evaporative emission control. California models may also include a carbon canister. Please contact Customer Support for information regarding the evaporative emission control configuration for your model.

Spark Arrestor

WARNING

This tractor is equipped with an internal combustion engine and should not be used on or near any unimproved forest-covered, brushcovered or grass-covered land unless the engine's exhaust system is equipped with a spark arrestor meeting applicable local or state laws (if any).




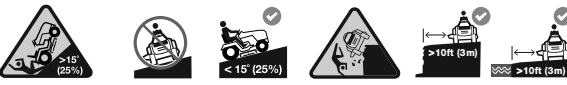


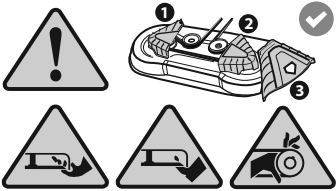
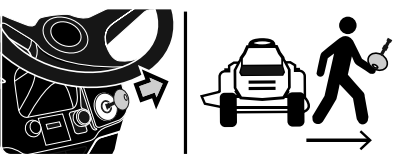

If a spark arrestor is used, it should be maintained in effective working order by the operator. In the State of California the above is required by law (Section 4442 of the California Public Resources Code). Other states may have similar laws. Federal laws apply on federal lands.

A spark arrestor for the muffler is available through your nearest engine authorized service dealer or contact the service department, P.O. Box 361131 Cleveland, Ohio 44136-0019.

SAFE OPERATIONS PRACTICES

Safety Symbols

This page depicts and describes safety symbols that MAY APPEAR on this product.

Symbol	Description
 <p>OPESymbol.com</p>	<p>WARNING – READ OPERATOR’S MANUAL Read, understand and follow all the safety rules and instructions in the manual(s) and on the tractor before attempting to operate this tractor. Failure to comply with this information may result in personal injury or death. Keep this manual in a safe location for future and regular reference. Using a Smart Phone, scan the QR code symbol to learn more information concerning the warnings contained on this tractor. You can also go to www.OPESymbol.com for more information.</p>
	<p>WARNING – AVOID THROWN OBJECTS INJURY Keep helpers at least 75' (23 meters) from machine during operation. Remove all stones, sticks, wire, bones, toys, and other foreign objects which could be picked up and thrown by the blade(s). Do not operate the tractor without the discharge cover or entire grass catcher in its proper place.</p>
	<p>WARNING – AVOID CHILD BACKOVER/RUNOVER/BLADE INJURY To avoid back-over accidents, always look behind and down for small children. Never carry children, even with the blade(s) shut off. Keep bystanders, children and pets inside during operation under the watchful care of a responsible adult other than the operator. Stop tractor if anyone enters the area.</p>
	<p>WARNING – AVOID TIP-OVER/ROLL-OVER INJURY Do not operate machine on a slope greater than 15° (25%). Do not mow across slopes, only mow up and down slopes that are less than 15 degrees (25%). Use low speeds and avoid sudden turns on slopes. Stay at least 10 feet (3 meters) from drop-offs, ditches, embankments or the edge of water.</p>
	<p>WARNING – AVOID FIRES Your tractor is designed to cut normal residential grass of a height no more than 10" (25cm). Do not attempt to mow through unusually tall, dry grass (e.g., pasture) or piles of dry leaves. Allow a tractor to cool at least five minutes before fueling or storing inside an enclosed garage or storage shed.</p>
	<p>WARNING – AVOID AMPUTATION INJURY Do not put hands or feet near or under the cutting deck. Contact with the blade(s) can amputate hands and feet.</p>
	<p>WARNING – AVOID AMPUTATION INJURY Do not put hands or feet near rotating parts or under the cutting deck. Contact with the blade(s) can amputate hands and feet. Ensure that all safety devices (guards, shields, switches, etc.) are in place and working. Belt and/or blade spindle contact can crush or injure body parts.</p>
	<p>WARNING – REMOVE KEY Always turn off blade(s), set the parking brake, stop engine and remove key before dismounting. If you are leaving the tractor unattended, always remove the key to prevent unauthorized use by children or others.</p>
	<p>WARNING – AVOID TOWING RELATED INJURY Do not tow a load that exceeds 250 lbs (113 kg) rolling weight and never exceed 50 lbs (22 kg) tongue weight. Never allow children or others in or on towed equipment. Do not tow on slopes greater than 5 degrees (9%). On slopes, the weight of the towed equipment may cause loss of traction, loss of control and/or loss of the ability to stop. Travel slowly and allow extra distance to stop.</p>

WARNING

Your Responsibility — Restrict the use of this power machine to persons who read, understand and follow the warnings and instructions in this manual and on the machine.

SAVE THESE INSTRUCTIONS!

SLOPE GAUGE

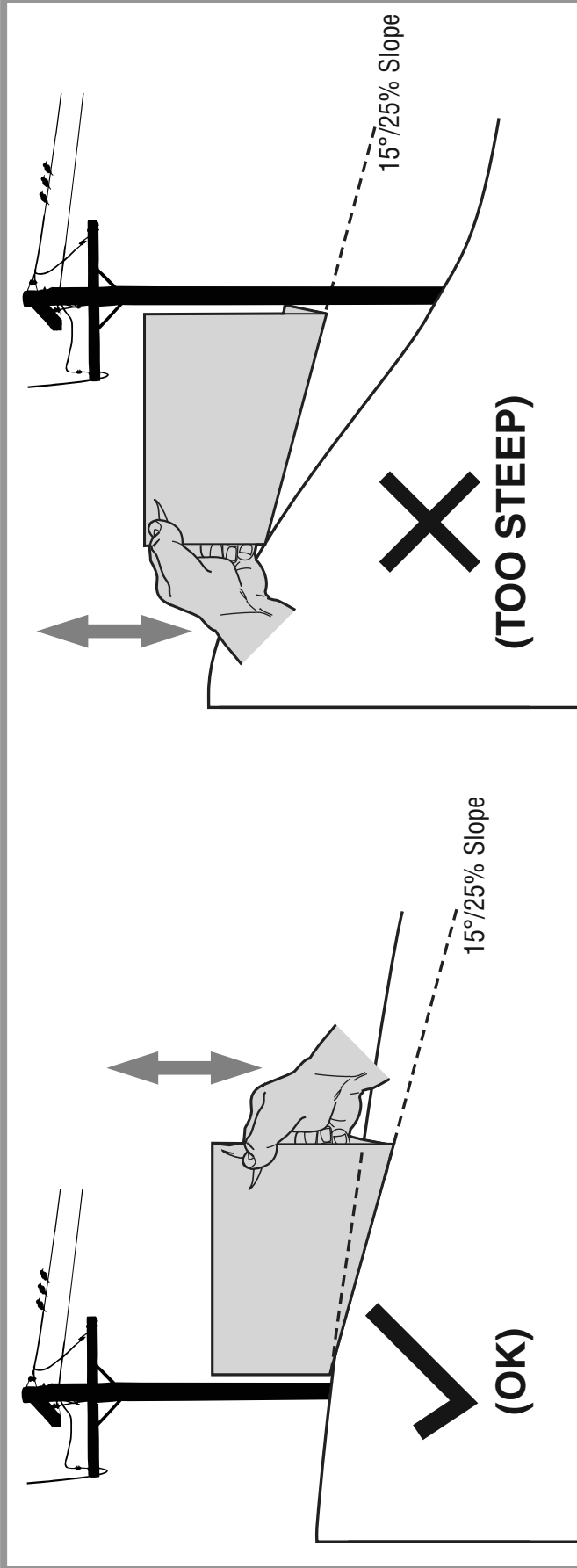


Figure 1

Figure 2

15°/25% dashed line

**USE THIS SLOPE GAUGE TO DETERMINE
IF A SLOPE IS TOO STEEP FOR SAFE OPERATION!**

To check the slope, proceed as follows:

1. Remove this page and fold along the dashed line.
2. Locate a vertical object on or behind the slope (e.g. a pole, building, fence, tree, etc.)
3. Align either side of the slope gauge with the object (See Figure 1 and Figure 2).
4. Adjust gauge up or down until the left corner touches the slope (See Figure 1 and Figure 2).
5. If there is a gap below the gauge, the slope is too steep for safe operation (See Figure 2 above).



WARNING! Slopes are a major factor related to tip-over and roll-over accidents which can result in severe injury or death. Do not operate machine on slopes in excess of 15 degrees. All slopes require extra caution. If you cannot back up the slope or if you feel uneasy on it, do not mow it. Always mow up and down slopes, never across the face of slopes.

ASSEMBLY

Note: This Operator's Manual covers several models. Tractor features may vary by model. Not all features in this manual are applicable to all tractor models and the tractor depicted may differ from yours.

Note: All references in this manual to the left or right side and front or back of the tractor are from the operating position only. Exceptions, if any, will be specified.

Preparation

Manually Moving the Tractor

1. Engage the transmission bypass rod to move the tractor manually without starting it. The transmission bypass rod is located on the rear of the tractor, on the frame. Engage the bypass rod by pulling out. See Figure 1.

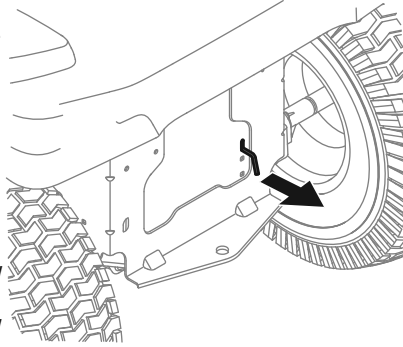


Figure 1

NOTE: If the tractor will not move or does not move freely when pushing check if the hydrostatic bypass rod is fully open or the brake is engaged.

NOTE: The transmission will NOT engage when the hydrostatic bypass rod is pulled out. Return the rod to its disengaged position prior to operating the tractor.

2. Disengage the transmission bypass rod by pushing the rod back in after moving the tractor. See Figure 1.

Install Operator's Seat (If necessary)

To install the seat proceed as follows:

NOTE: The seat is shipped with the seat switch and seat pan attached.

1. Cut any straps securing the seat assembly to the tractor. Remove any packing material.

NOTE: Be careful not to cut the wiring harness connecting the seat and the seat switch.

2. Remove the two shoulder bolts (a) and flange lock nuts (b) in the seat pan as shown in Figure 2.
3. Rotate the seat into position and slide a Phillips screwdriver through one of the seat-securing holes and seat bracket for alignment.

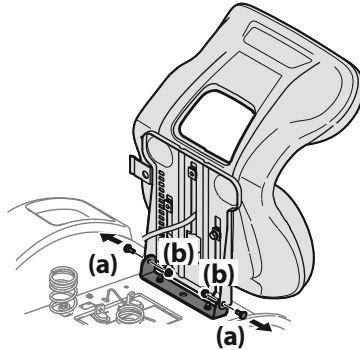


Figure 2

4. With the previously removed shoulder bolts (a) and flange lock nuts (b) secure one side of the seat and seat bracket. While supporting the seat, remove the Phillips screwdriver and secure the other side of the seat. Be careful not to crimp or damage the wire harness while installing the seat. See Figure 3. Torque to 84-103 in-lbs (9.5-11.6 N-m).

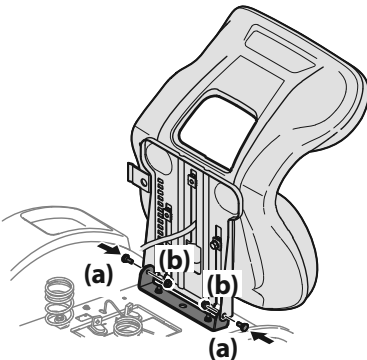


Figure 3

5. Using the harness clip attached to the harness, secure the excess wire to the fender by snapping the harness clip in place as shown in Figure 4.

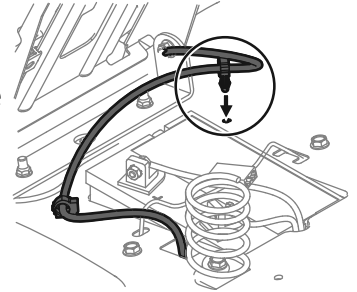


Figure 4

Installing the Hood Collar (If necessary)

There are three (3) alignment posts (a) on the hood collar (b) that line up with corresponding alignment holes (c) in the hood (d). See Figure 5

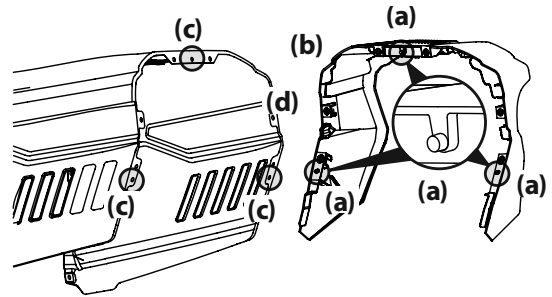


Figure 5

Use these alignment points to properly position the hood collar (a), then secure it in place with the six hex bolts (b) provided in the hardware bag. See Figure 8. Tighten the hex bolts to 102-124 in-lbs (11.5-14 N-m). See Figure 6.

Installing the Snap-On Hood Topper (If necessary)

1. To install the snap-on hood topper (a), line up the holes on the hood topper (a) up with the tabs (b) in the hood frame as shown in Figure 7.
2. Insert the tabs (b) into the hood topper and pull back to lock into place.

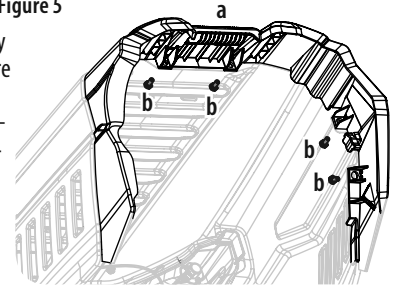


Figure 6

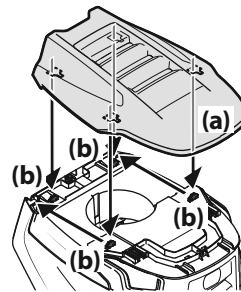
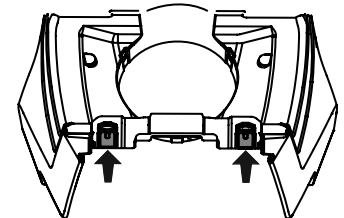


Figure 7



Hood Topper Not Shown for Clarity

Figure 8

3. Once the hood topper is in place, the two locking tabs near the rear of the hood need to be pushed upward to lock the hood topper in place. See Figure 8.

Installing the Screw-On Hood Topper (If necessary)

Note: Be careful not to damage the headlight harness when installing the screw-on hood topper.

1. Set the hood topper up against the top of the hood with the hood open, and align the holes on the hood.

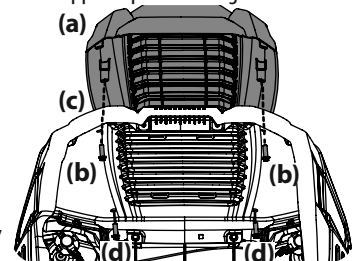


Figure 9

ASSEMBLY

- Secure the screw-on hood topper (a) from below, hand-tighten the screws (b) on the rear half of the hood and then snug them. See Figure 9.
- With the rear screws in place, align the holes in the hood topper (a) with the holes in the hood (c) and secure in place with remaining two screws (d). See Figure 9.
- Tighten all four screws to 16-24 in-lbs (1.8-2.7 N-m).

Installing the Plenum (If necessary)

Note: Be careful not to damage the headlight harness when installing the plenum.

To install the plenum (a) onto the hood (b):

- Insert the rear tabs (c) as shown in Figure 10.
- With the rear tabs installed, insert the front tabs (a) on the plenum (b) as shown in Figure 11.

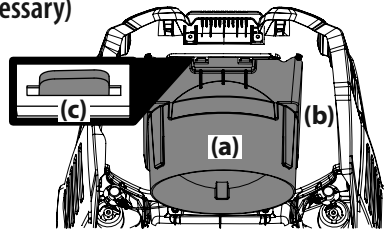


Figure 10

Note: The rear tabs fit into a recessed area on the top of the hood. They slide up from under the hood and into these recessed areas.

Push up on the bottom of the plenum to make sure that the plenum is securely in place.

Secure the headlight harness (a) into the two guides (b) on the front of the plenum. Figure 12.

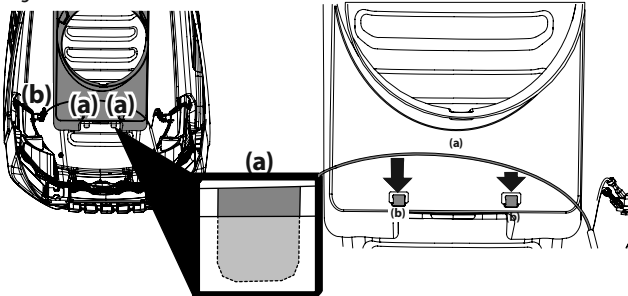


Figure 11

Figure 12

Installing the Dash Cap (If necessary)

To install the dash cap (a), line up the tabs (b) on the dash cap (a) with the holes in the upper dash as shown in Figure 13. Slide the tabs (b) into the holes in the upper dash and push forward on the dash cap to lock into place.

Note: Be sure to press on the lower part of the dash cap (a) facing the operator position to ensure the lower tabs on the dash cap are in place.

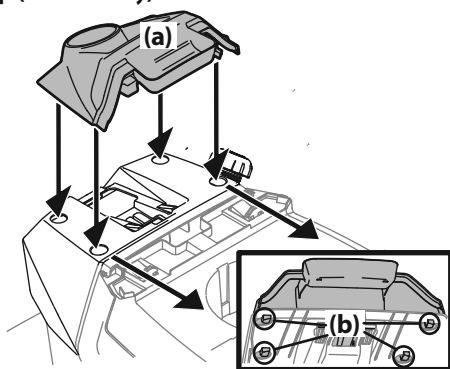


Figure 13

Installing the Steering Wheel (If necessary)

The hardware for attaching the steering wheel has been packed within the steering wheel, beneath the steering wheel cap. Carefully pry off the steering wheel cap and remove the hardware.

IMPORTANT! Do not use impact tools to install or remove the steering wheel. Doing so can overtorque and damage the fastener.

- With the wheels of the tractor pointing straight forward, align the steering wheel (a) by using the center-line (b) on the front of the steering wheel (a) pointing straight ahead and the flat section (c) of the steering wheel (a) facing toward the seat, place the steering wheel (a) over the steering shaft (d). See Figure 14.
- Secure the steering wheel (a) with the hex bolt (e) from under the steering wheel cap (f) and torque to 18-22 ft.-lbs (24.4-29.8 N-m).
- Place the steering wheel cap (f) over the center of the steering wheel (a) and push downward until it "clicks" into place.

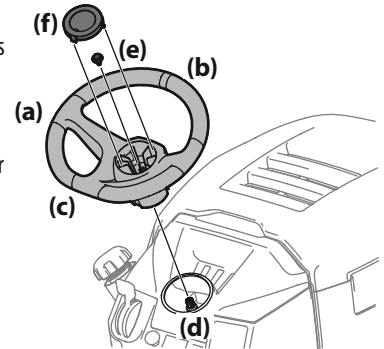


Figure 14

NOTE: The hex bolt (e) securing the steering wheel (a) has thread locker applied to it, so if it is removed, it is recommended that the hex bolt (a) be replaced or thread lock re-applied.

Installing the Front Bumper (If equipped)

⚠ WARNING

Disengage the PTO, engage the brake lock, and stop the tractor engine before performing any preparation procedures. Place the tractor on a firm and level surface before beginning installation or removal procedures.

The exhaust system and surrounding areas are HOT. To avoid personal injury, allow the tractor to cool before beginning any brush guard installation or removal procedures.

The hardware for attaching the front bumper is shipped installed into the bumper.

- Remove the four hex screws (a) from the bumper (b).
- Position the bumper brackets to the *inside* of the tractor's frame and secure it in place with the four hex flange screws (a). See Figure 15.

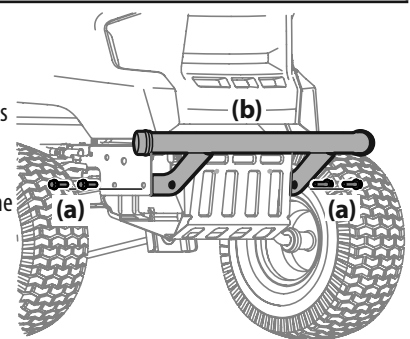


Figure 15

Installing the FastAttach™ Brush Guard (If equipped)

- Align the brush guard assembly with the FastAttach™ brackets and push assembly together. See Figure 16.

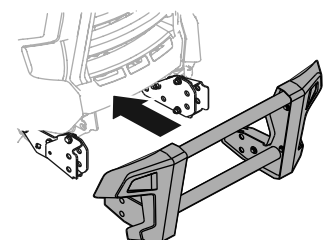


Figure 16

ASSEMBLY

2. Install the pins on the right and left side of brush guard and then secure with two cotter pins found in the hardware pack. See Figure 17.

Note: Pulling up lightly on the brush guard may make installation of the pins easier.

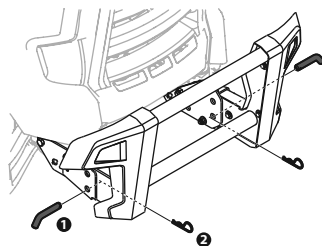


Figure 17

Lower Deck Discharge Chute Deflector

⚠ WARNING

Never operate the mower deck without the chute deflector installed and in the down position.

46" Deck Models

1. Remove the keys attached with a zip tie to the chute bracket.
2. Remove the flange lock nut and hex screw from the deck.
3. Place the chute deflector on the deck, be sure to insert the tabs on the chute deflector into the holes on the deck. See Figure 18.
4. Slide the chute deflector toward the rear of the tractor until the bolt hole in the chute deflector aligns with the hole in the deck. See Figure 18.

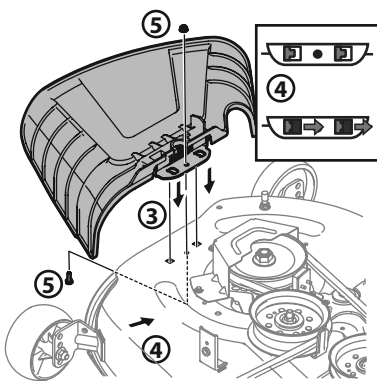


Figure 18

5. Secure the chute deflector in place with the flange lock nut and hex screw removed in step two. Tighten to 102-124 in-lbs (11.5-14 N-m). See Figure 18. Skip ahead to "Setting the Deck Wheels".

42"/50"/54" Deck Models

1. Check the tractor deck for a shipping brace that may be holding the chute deflector upward for shipment. If the brace is present, it must be removed before operating the tractor. Holding the chute deflector fully upward, remove the shipping brace. Lower the chute deflector and discard the shipping brace. See Figure 19.

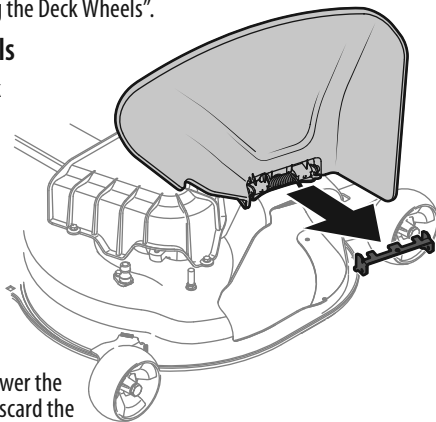


Figure 19

Setting the Deck Wheels

Note: The deck wheels are an anti-scalp feature of the deck and are not designed to support the weight of the cutting deck.

1. Move the tractor to a level surface, preferably pavement.
2. Check the tire pressure, adjust, if necessary. See tire sidewall for proper tire pressure.
3. Make sure the deck is level side-to-side and properly pitched. See the Maintenance and Adjustments section for deck leveling information and instructions.
4. Place deck lift lever in the desired mowing height position.

5. Check the wheels for contact or excessive clearance with the surface below.

Note: The deck wheels should have between 1/4"-1/2" (6.35-12.7mm) clearance above the ground. Proceed as follows to adjust the wheels:

- a. Raise the deck lift handle to its highest setting.
- b. Remove the front (a) and rear (b) deck wheels by removing the flange lock nuts (c) and shoulder bolts (d) that secure them to the deck. See Figure 20.
- c. Place the deck lift lever in the desired mowing height setting.
- d. Reinsert the shoulder bolt (with each deck wheel) into the index hole that leaves approximately 1/2" (13mm) between the bottom of the wheel and the pavement. Tighten the flange lock nut and shoulder bolt to between 25-30 ft-lbs (34-40 N-m) using a torque wrench.

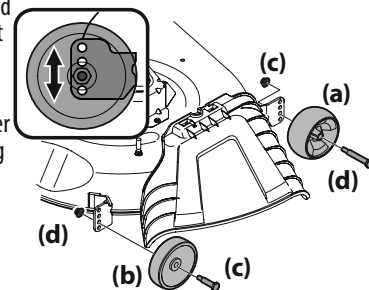


Figure 20

Note: Refer to Adjusting the Deck in the Service and Maintenance section of this manual for more detailed instructions regarding various deck adjustments.

Battery Information

⚠ WARNING

California PROPOSITION 65 WARNING: Battery posts, terminals, and related accessories contain lead and lead compounds, chemicals known to the State of California to cause cancer and reproductive harm. Wash hands after handling.

⚠ WARNING

Should battery acid accidentally splatter into the eyes or onto the skin, rinse the affected area immediately with clean cold water. Seek prompt medical attention.

If acid spills on clothing, first dilute it with clean water, then neutralize with a solution of ammonia/water or baking soda/water.

NEVER connect (or disconnect) battery charger clips to the battery while the charger is turned on, as it can cause sparks.

Keep all sources of ignition (cigarettes, matches, lighters) away from the battery. The gas generated during charging can be combustible.

As a further precaution, only charge the battery in a well ventilated area.

Always shield eyes and protect skin and clothing when working near batteries.

Batteries contain sulfuric acid and may emit explosive gases. Use extreme caution when handling batteries. Keep batteries out of the reach of children.

⚠ CAUTION

When attaching battery cables, always connect the **POSITIVE (Red)** wire to terminal first, followed by the **NEGATIVE (Black)** wire.

Note: The positive battery terminal is marked Pos. (+). The negative battery terminal is marked Neg. (-).

ASSEMBLY

Connecting the Battery Cables

⚠ WARNING

Always connect the positive lead to the battery before connecting the negative lead. This will prevent sparking or possible injury from an electrical short caused by contacting the tractor body with tools being used to connect cables.

For shipping reasons the factory may leave both battery cables disconnected from the terminals. To connect the battery cables, proceed as follows:

1. If present, remove the plastic cover from the positive battery cable. Attach the red connector to the positive battery terminal (+) using the bolt (a) and hex nut (b). See Figure 21.
2. If present, remove the plastic cover from the negative battery terminal and attach the black cable to the negative battery terminal (-) with the bolt (a) and hex nut (b). See Figure 21.
3. Position the red rubber boot (c) over the positive battery terminal to help protect it from corrosion.

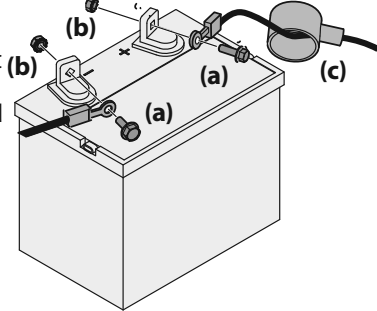


Figure 21

NOTE: If the battery is put into service after the date shown on top/side of battery, charge the battery as instructed in the Service and Maintenance section prior to operating the tractor.

Battery Maintenance

- The battery is filled with battery acid and then sealed at the factory. However, even a "maintenance free" battery requires some maintenance to ensure its proper life cycle.
- Spray the terminals and exposed wire with a battery terminal sealer, or coat the terminals with a thin coat of grease or petroleum jelly, to protect against corrosion.
- Always keep the battery cables and terminals clean and free of corrosion.
- Avoid tipping. Even a sealed battery will leak electrolyte when tipped.

Battery Storage

- When storing the tractor for extended periods, disconnect the negative battery cable. It is not necessary to remove the battery.
- All batteries discharge during storage. Keep the exterior of the battery clean, especially the top. A dirty battery will discharge more rapidly.
- The battery must be stored with a full charge. A discharged battery can freeze sooner than a charged battery. A fully charged battery will store longer in cold temperatures than hot.
- Recharge the battery before returning to service. Although the tractor may start, the engine charging system may not fully recharge the battery.

Battery Removal

⚠ WARNING

Battery posts, terminals and related accessories contain lead and lead compounds. Wash hands after handling.

The battery is located beneath the seat frame. To remove the battery:

1. Remove the battery hold down bracket by pushing the hooked end out of the tab on the fender to the right side of the battery. Then flip the battery hold-down bracket up to free the battery. See Figure 22.
2. Remove the hex cap screw and sems nut securing the black negative battery lead to the negative battery post (marked NEG). Move the cable away from the negative battery post.

3. Remove the hex cap screw and sems nut securing the red positive battery lead to the positive battery post (marked POS).
4. Carefully lift the battery out of the tractor.
5. Install the battery by repeating the above steps in the reverse order.

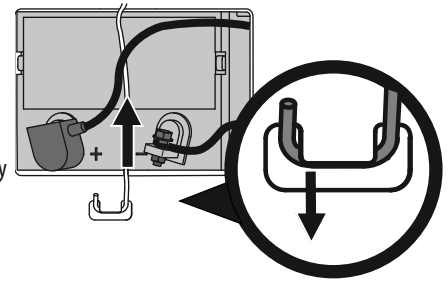


Figure 22

Charging the Battery

Test and, if necessary, recharge the battery after the tractor has been stored for a period of time.

- A voltmeter or load tester should read 12.6 volts (DC) or higher across the battery terminals. See Figure 23.
- Charge the battery with a 12-volt battery charger at a MAXIMUM rate of 10 amps.

Voltmeter Reading	State of Charge	Charging Time
12.7	100%	Full Charge
12.4	75%	90 Min.
12.2	50%	180 Min.
12.0	25%	280 Min.

Figure 23

Adjusting the Seat

To adjust the position of the seat, lift the seat adjustment lever up. Slide the seat forward or rearward to the desired position; then release the adjustment lever. Make sure seat is locked into position before operating the tractor. See Figure 24.

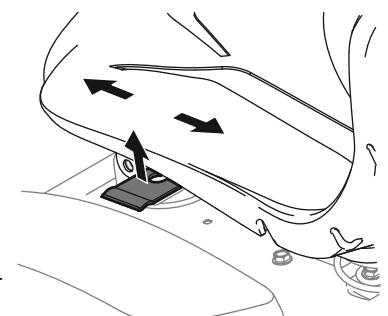


Figure 24

Oil

NOTE: Your tractor is shipped with oil in the engine. However, you MUST check the oil level before operating. See the engine manual for instructions on checking, adding and changing oil.

⚠ CAUTION

Always check the engine oil level before each use as instructed in the engine operator's manual. Add oil as necessary. Failure to do so may result in serious damage to your engine.

OPERATION

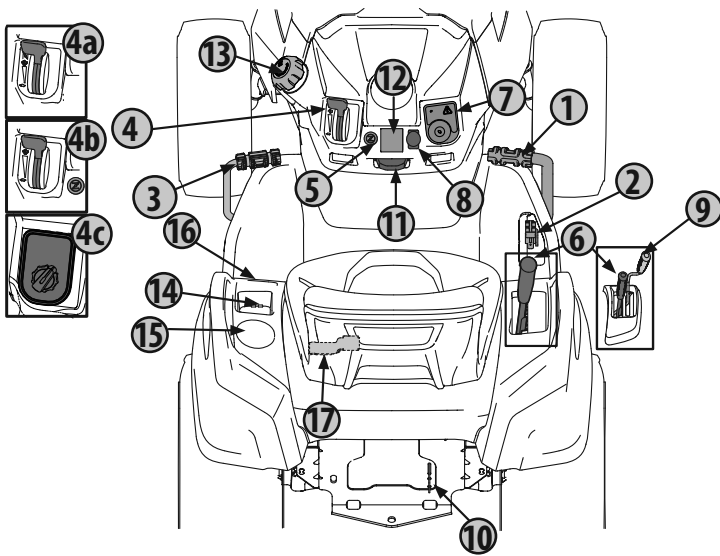


Figure 26

Note: This Operator's Manual covers several models. Tractor features may vary by model. Not all features in this manual are applicable to all tractor models and the tractor depicted may differ from yours.

Note: References to LEFT, RIGHT, FRONT, and REAR indicate that position on the tractor when facing forward while seated in the operator's seat.

① Forward Drive Pedal

Depress the forward drive pedal forward to allow the tractor to travel forward. The further forward the pedal is depressed, the faster the tractor will travel. The pedal will return to its original/neutral position when it's not depressed.

② Reverse Drive Pedal

Depress the reverse drive pedal downward to allow the tractor to travel backward. The further downward the pedal is depressed, the faster the tractor will travel. The pedal will return to its original/neutral position when it's not depressed.

③ Brake Pedal

Depress the brake pedal while the tractor is in use to stop the tractor and for setting the parking brake.

Note: The brake pedal must be fully depressed to start the tractor. Refer to Safety Interlock System for more information.

④ Throttle/Choke Control Lever, Throttle Control, or Electronic Governor Control

④a Throttle/Choke Control Lever (If equipped)

Push the throttle/choke control lever forward to increase the engine speed. The tractor is designed to operate with the throttle/choke control lever at full throttle (FAST) when the tractor is being driven and the mower deck is engaged. Pull the throttle/choke control lever rearward to decrease the engine speed. When starting the engine, push the control lever fully forward into the "CHOKE" position. After starting and warming the engine, move the control lever rearward until you feel it move past the choke detent. Throttle is not meant to control unit speed, throttle should remain in high speed while operating blades.

④b Throttle Control (If equipped)

Push the throttle control lever forward to increase the engine speed. The tractor is designed to operate with the throttle control lever at full throttle (FAST) when the tractor is being driven and the tractor deck is engaged. Pull the throttle control lever rearward to decrease the engine speed.

④c Electronic Governor Control (If equipped)

When set in a given position, a uniform engine speed will be maintained.

The electronic governor control has various inputs for maintaining engine speed. Use "CUT" setting for optimal cutting performance in normal cutting conditions. Use "POWER CUT" setting for optimal cutting performance in heavy cutting conditions.

Note: If the tractor is equipped with an Electronic Governor Control, the tractor can be started at any speed setting along the dial and will automatically adjust to the desired engine speed setting.

Note: It may take a few seconds after starting for the engine to adjust to the proper engine speed. This is normal.

⑤ Choke Control (If equipped)

The choke control determines the position of the engine choke. Pull the knob out to choke the engine; push the knob in to open the choke. If equipped, Choke Control will be paired with a Throttle Control (4b). When pulled outward the Choke Control closes the choke for cold starting. Once started always run the engine with the Choke Control pushed all the way inward.



⑥ Deck Lift Lever

The deck lift lever is used to raise and lower the deck. Pull the lever to the left out of the index notch and push downward to lower the deck, or pull upward to raise the deck. When the desired height is attained, move the lift lever to the right until fully engaged in the index notch.

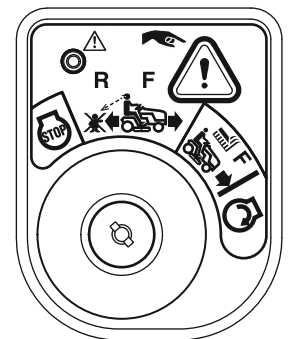
⑦ Ignition Switch

Turn-Key Start

⚠ WARNING

Never leave a running tractor unattended. Always disengage PTO, set parking brake, stop engine and remove key to prevent unintended starting.

Refer to Starting the Engine for information on how to start the engine. Refer to Stopping the Engine for instructions on how to stop the engine.



⚠ WARNING

Prior to operating the tractor, refer to both Safty Interlock System and Starting The Engine in the Operation section of this manual for detailed instructions regarding the Ignition Switch Module and operating the tractor in REVERSE CAUTION MODE.

OPERATION

PBS (Push Button Start)/Service Minder & Hour Meter (If equipped)

⚠ WARNING

Never leave a running tractor unattended. Always disengage PTO, set parking brake, stop engine and remove the key.

Note: If the REVERSE CAUTION MODE button is depressed during starting, the starting sequence is aborted and needs to be restarted.

To stop the engine, press or remove the ignition key.

When the ignition key is inserted and pressed for less than 1.5 seconds, the LCD Service Minder & Hour Meter will briefly display the battery voltage, followed by the tractor's accumulated hours.

Note: Hours of tractor operation are recorded only when the engine is running.

The LCD Service Minder will remind the operator of maintenance intervals for changing the engine oil, air filter service, low engine oil and low or high battery warnings.

⑧ Power Take-Off (PTO)(Blade Engage) Switch (Electric PTO) (If Equipped)

The PTO (Blade Engage) switch operates the electric PTO clutch mounted on the bottom of the engine crankshaft. Pull the switch knob outward to engage the PTO clutch, or push the knob inward to disengage the clutch.

The PTO (Blade Engage) switch must be in the "OFF" position when starting the engine. See Engaging the PTO (Electric PTO) section for information and instructions on using the PTO.

⑨ PTO (Blade Engage) Lever (Manual PTO)

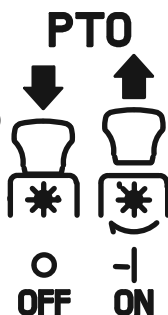
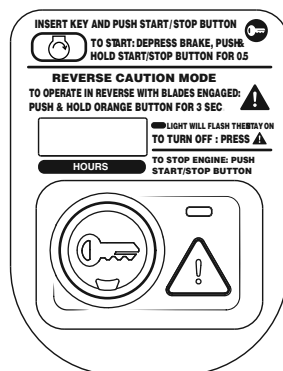
Activating the PTO (Blade Engage) lever engages power to the cutting deck or other (separately available) attachments. See Engaging the PTO (Manual PTO) section for information and instructions on using the PTO.

⑩ Transmission Bypass Rod

When engaged, the rod opens a bypass within the hydrostatic transmission, which allows the tractor to be pushed short distances by hand. Refer to the Assembly section for instructions on using the bypass feature.

⚠ CAUTION

Never tow your tractor. Towing the tractor with the rear wheels on the ground may cause severe damage to the transmissions.



⑪ Park Brake/Cruise Control Lever

The park brake/cruise control lever is used to engage the parking brake and the cruise control. Refer to the Driving the Tractor section of this manual for detailed instructions regarding the parking brake.



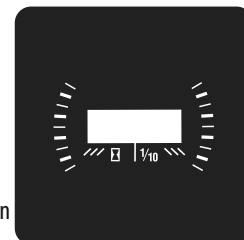
Note: The parking brake must be set if the operator leaves the seat with the engine running or the engine will automatically shut off.

Note: Cruise control can NOT be engaged at the tractor's fastest ground speed.

⑫ Hour Meter

LCD Service Minder & Hour Meter (If equipped)

The LCD service minder will remind the operator of maintenance intervals for changing the engine oil, air filter service, low engine and low battery warnings. When the key is rotated out of the STOP position but is not in the START position, the LCD service minder & hour meter will briefly display the battery voltage, followed by the tractor's accumulated hours.



Note: When the ignition key is out of the STOP position the hourglass symbol is illuminated/blinks to indicate it is recording the hours of tractor operation, regardless of whether the engine has been started.

Change Oil

The LCD screen will alternate the letters "CHG", followed by "OIL", followed by "SOON", followed by the meter's accumulated time. "CHG/OIL/SOON/TIME" will alternate on the display for 7 minutes after the meter reaches 50 hours. This oil service minder interval will occur every 50 hours. Before the interval expires, change the engine oil as instructed in the Engine Operator's Manual

Low Oil

Note: The low oil pressure function only works if the engine is equipped with an oil pressure switch.

The LCD screen will alternate the letters "LO" followed by "OIL", followed by the meter's accumulated time, which indicates the engine has low oil pressure. This is common when starting an engine. The indicator will remain active until the engine sufficiently builds pressure after starting. If it remains on with the engine at full speed and after a few minutes of operation, stop the tractor immediately and check the engine oil level and add as instructed in the Engine Operator's Manual. If the oil level is correct and the indicator persists, contact an authorized service dealer.

Low Battery

At startup, the battery voltage will briefly display, then changes to accumulated hours. The letters "LO" followed by the letters "BATT" will display, followed by the meter's accumulated time. "LO/BATT/TIME" is displayed on the LCD when the voltage drops below 11.5 volts. When this occurs, the battery is in need of a charge or the engine's charging system is not generating sufficient amperage. Charge the battery as instructed in the Product Care section of this manual or have the charging system checked by your local service dealer.

Air Filter Service

The LCD screen will display the letters "CLN" followed by the letters "AIR", followed by "FILT", followed by the meter's accumulated time. "CLN/AIR/FILT/TIME" will alternate on the display for 7 minutes after the meter reaches 25 hours. This air filter service minder time interval will be every 25 hours. On intervals that are common with oil service, the oil message will be displayed first followed by the air filter message.

⑬ Fuel Tank Cap

Turn the fuel cap at least two clicks counter clockwise and pull upward to remove. The fuel cap is tethered to the fuel tank to prevent its loss. Do not attempt to remove the cap from the fuel tank. Fill tank to 1/2" (12.7 mm) below the bottom of the filler neck, allowing some space in the tank for fuel expansion. Do not overfill the tank. The fuel tank holds approximately 3 gallons (11.35L) of gasoline.

OPERATION

Push the cap downward on the fuel tank filler neck and turn at least two clicks clockwise to tighten. Always re-install the fuel cap tightly onto the fuel tank after removing.

WARNING

Never fill the fuel tank when the engine is running. If the engine is hot from recently running, allow to cool for at least five minutes before refueling. Highly flammable gasoline could splash onto the engine and cause a fire.

14 Storage Tray

The storage tray is located to the left of the operator's seat.

15 Cup Holder

The cup holder is located to the left of the operator's seat.

16 Differential Lock Pedal (If equipped)

Activating the differential lock increases traction by maintaining equal wheel speed on the rear tires. See the Differential Lock section for more information on using the differential lock.

17 Seat Adjustment Lever

The seat adjustment lever allows for adjustment forward or backward of the operator's seat. Refer to the Assembly section for instructions on adjusting the seat position.

Headlights (Not Shown)

On turn-key tractors the lights are ON whenever the ignition key is rotated out of the STOP position. The lights turn OFF when the ignition key is moved to the STOP position.

On PBS tractors the lights are ON whenever the PBS module is on. Headlights can be activated for 15 seconds without being on the seat by pressing the ignition key once. To keep the headlights active you can sit in the seat or start/run the engine.

Operation

Before Operating Your Tractor

- Before operation, refer to Maintenance Schedule chart located in this manual for regularly scheduled service items.
- This engine is certified to operate only on clean, fresh, unleaded gasoline. Fill only with clean, fresh, unleaded gasoline with a pump sticker octane rating of 87 or higher.
- Do not use gasoline left over from the previous season, to minimize gum deposits in the fuel system.
- Gasohol (up to 10% ethyl alcohol, 90% unleaded gasoline by volume) is an approved fuel. Other gasoline/alcohol blends are not approved.
- Methyl Tertiary Butyl Ether (MTBE) and unleaded gasoline blends (up to a maximum of 15% MTBE by volume) are approved fuels. Other gasoline/ether blends are not approved.

Safety Interlock System

WARNING

Do not operate the tractor if the safety interlock system is malfunctioning. This system was designed for your safety and protection.

This tractor is equipped with a safety interlock system for the protection of the operator. If the safety interlock system should ever malfunction, do not operate the tractor. Contact an authorized service dealer.

- The safety interlock system prevents the engine from cranking or starting unless the parking brake is engaged or the operator is in the seat and the brake pedal is fully depressed, with the PTO (Blade Engage) switch or PTO (Blade Engage) lever in the disengaged (OFF) position.
- The engine will automatically shut off if the operator leaves the seat before engaging the parking brake.

- The engine will automatically shut OFF if the operator leaves the tractor's seat with the PTO (Blade Engage) switch or PTO (Blade Engage) lever in the ENGAGED (ON) position, regardless of whether the parking brake is engaged.
- With the ignition key in the NORMAL MOWING position, the electric PTO (Blade Engage) clutch will automatically shut off if the PTO (Blade Engage) switch or PTO (Blade Engage) lever is moved into the engaged (ON) position with the drive pedal in position for Reverse travel.

Checking the Safety Interlock Circuits

Periodically check the safety interlock circuits to ensure they are working properly. If a safety circuit is not working as designed, contact your authorized service dealer to have the tractor inspected. DO NOT operate the tractor if any safety circuit is not functioning properly. To check the safety circuits, proceed as follows:

1. With the engine off and sitting in the seat, place the PTO control (PTO switch or PTO lever) to the ENGAGED (ON) position. Momentarily turn the ignition switch to the START position; the engine should not crank.
2. With the tractor running, and the parking brake not engaged; lift upward from the operator's seat. The engine should stop.
3. With the parking brake engaged, engage the PTO. Lift upward from the operator's seat; the engine should stop.

Starting the Engine

CAUTION

The operator should be sitting in the tractor seat when starting the engine.

Continue below for turn-key ignitions, skip ahead to the PBS Ignition Section for Push-Button Start ignitions.

Turn-Key Ignition with Separate Throttle and Choke Control

1. Insert the ignition key into the ignition switch.
 2. Place the PTO (Blade Engage) switch or PTO (Blade Engage) lever in the OFF position.
 3. Engage the tractor's parking brake.
 4. Engage the choke control (if equipped).
- Note:** If the engine is warmed up, it may not be necessary to choke the engine.
5. Move the throttle control lever to midway between the FAST and SLOW positions.
- Note:** When operating the tractor be certain that the throttle lever is always in the FAST position.
6. Turn the ignition key clockwise to the START position. After the engine starts, release the key. It will return to the NORMAL MOWING position.

CAUTION

Do NOT hold the key in the START position for longer than ten seconds at a time. Doing so may cause damage to your engine's electric starter.

8. As the engine warms up, disengage the choke control. Do not use the choke control to enrich the fuel mixture, except as necessary to start the engine.
 9. Allow the engine to run for a few minutes at mid-throttle before putting the engine under load.
- Note:** When operating the tractor be certain that the throttle lever is always in the FAST position.
10. Observe the hour meter/indicator panel. If the battery indicator light or oil pressure light comes on, immediately stop the engine. Have the tractor inspected by your authorized service dealer.

Turn-Key Ignition with Throttle/Choke Control

1. Insert the ignition key into the ignition switch.
2. Place the PTO (Blade Engage) switch or PTO (Blade Engage) lever in the OFF position.

OPERATION

- Engage the tractor's parking brake.
- Push the throttle control upward, past the detent, to engage the choke.

Note: If the engine is warmed up, it may not be necessary to choke the engine.

- Turn the ignition key clockwise to the START position. After the engine starts, release the key. It will return to the NORMAL MOWING position.

⚠ CAUTION

Do NOT hold the key in the START position for longer than ten seconds at a time. Doing so may cause damage to your engine's electric starter.

- As the engine warms up, gradually pull the throttle/choke control lever rearward past the choke detent position. Do not use the choke position to enrich the fuel mixture, except as necessary to start the engine.
- Allow the engine to run for a few minutes at mid-throttle before putting the engine under load.
Note: When operating the tractor be certain that the throttle lever is always in the FAST position.
- Observe the hour meter/indicator panel. If the battery indicator light or oil pressure light comes on, immediately stop the engine. Have the tractor inspected by your authorized service dealer.

Turn-Key Ignition with Electronic Governor Control

- Insert the ignition key into the ignition switch.
- Place the PTO (Blade Engage) switch or PTO (Blade Engage) lever in the OFF position.
- Engage the tractor parking brake.
- Set the Electronic Governor Control dial to the desired engine speed setting.
Note: If the tractor is equipped with an Electronic Governor Control, the tractor can be started at any speed setting along the dial and will automatically adjust to the desired engine speed setting.
- Turn the ignition key clockwise to the START position. After the engine starts, release the key. It will return to the NORMAL MOWING position.
Note: It may take a few seconds after starting for the engine to adjust to the proper engine speed. This is normal.

PBS Ignition

- Place the PTO (Blade Engage) switch or PTO (Blade engage) lever in the OFF position.
- Insert the ignition key.
- Engage tractor parking brake.
- Move the throttle into the FAST position.
- Press the ignition key.
Note: When operating the tractor be certain that the throttle lever is always in the FAST position. Operating with the throttle at less than full throttle may lead to shortened battery life.

Cold Weather Starting

When starting the engine at temperatures near or below freezing, ensure the correct viscosity motor oil is used in the engine and the battery is fully charged. Start the engine as follows:

- Be sure the battery is in good condition. A warm battery has much more starting capacity than a cold battery.
- Use fresh winter grade fuel. Winter grade gasoline has higher volatility to improve starting. Do not use gasoline left over from summer.
- Follow the previous instruction for Starting the Engine.

Using Jumper Cables To Start Engine

⚠ WARNING

Batteries contain sulfuric acid and produce explosive gasses. Make certain the area is well ventilated, wear gloves and eye protection, and avoid sparks or flames near the battery.

If the battery charge is not sufficient to crank the engine, recharge the battery. If a battery charger is unavailable and the tractor must be started, the aid of a booster battery will be necessary. Connect the booster battery as follows:

- Connect the end of one cable to the disabled tractor battery's positive terminal; then connect the other end of that cable to the booster battery's positive terminal.
- Connect one end of the other cable to the booster battery's negative terminal; then connect the other end of that cable to the frame of the disabled tractor, as far from the battery as possible.
- Start the disabled tractor following the normal starting instructions previously provided; then disconnect the jumper cables in the exact reverse order of their connection.
- Have the tractor's electrical system checked and repaired as soon as possible to eliminate the need for jump starting.

Stopping the Engine

- If the blades are engaged, place the PTO (Blade Engage) switch or PTO (Blade Engage) lever in the OFF position.
- Engage the tractor parking brake.
- Place the throttle control to midway between the FAST and SLOW positions.
- Turn the ignition key counterclockwise to the STOP position or on PBS units, press or remove the ignition key.

Driving The Tractor

⚠ WARNING

Keep all movement of the Forward and Reverse drive pedals and brake pedal slow and smooth. Abrupt movement of the drive pedals or brake pedal can affect the stability of the tractor and could cause the tractor to flip over, which may result in serious injury or death to the operator.

- Depress the brake pedal to release the parking brake. Move the throttle into the FAST position.
- To travel FORWARD, slowly depress the forward drive pedal (a) forward until the desired speed is achieved. See Figure 27.
- To travel in REVERSE, check that the area behind is clear then slowly depress the reverse drive pedal (b) until the desired speed is achieved. See Figure 27.

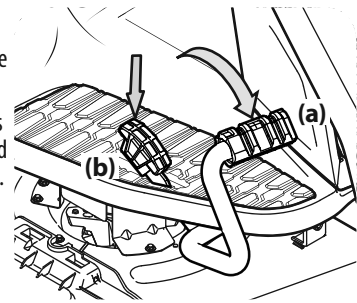


Figure 27

⚠ WARNING

- Sharp turns can affect control of the tractor. ALWAYS slow the tractor before making sharp turns.
- Do not leave the seat of the tractor without first placing the PTO (Blade Engage) in the DISENGAGED (OFF) position and engaging the parking brake. If leaving the tractor unattended, also turn the engine off and remove the ignition key.

OPERATION

Engaging the Parking Brake

Note: The parking brake must be set if the operator leaves the seat with the engine running or the engine will automatically shut off.

To set the parking brake:

1. Depress the brake pedal completely down with your left foot and hold it in that position.
2. Depress the parking brake/cruise control lever and hold it in that position.
3. Remove your foot from the brake pedal.
4. Release pressure from the parking brake/cruise control lever.

After completing step 3, the brake pedal should remain in the down position. If it doesn't, the parking brake is *not* engaged. Repeat steps 1-4 to engage the parking brake.

To disengage the parking brake, depress the brake pedal.

Setting The Cruise Control

⚠ WARNING

Do not attempt to engage the cruise control lever while traveling in reverse. The cruise control will not engage while traveling in reverse.

To set the cruise control:

1. Depress the forward drive pedal with your right foot until the desired speed is achieved.
2. Press down on the parking brake/cruise control lever and hold it in that position.
3. Remove your foot from the forward drive pedal.
4. Release pressure from the parking brake/cruise control lever.

The forward drive pedal should remain in the down position and the tractor will maintain the same forward drive speed. If it doesn't, the cruise control is not engaged. Repeat steps 1-4 again to engage the cruise control.

To disengage the cruise control, lightly depress the forward drive pedal or the brake pedal.

Reverse Caution Mode

Reverse Caution Mode (Turn-Key Ignition)

The REVERSE CAUTION MODE position of the ignition switch allows the tractor to be operated in reverse with the PTO (Blade Engage) into the engaged (ON) position.

Note: Mowing in reverse is not recommended.

⚠ WARNING

Use extreme caution while operating the tractor in the REVERSE CAUTION MODE. Always look down and behind before and while backing. Do not operate the tractor when children or others are around. Stop the tractor immediately if someone enters the area.

To use the REVERSE CAUTION MODE:

Note: The operator MUST be seated in the tractor seat.

1. Start the engine as previously instructed.
2. Turn the ignition key from the NORMAL MOWING (a) position to the REVERSE CAUTION MODE (b) position of the ignition switch. See Figure 28.
3. Press and hold the REVERSE CAUTION MODE BUTTON (c) at the top, right corner of the ignition module for 3 seconds. The red indicator light (d) at the top, left corner of the ignition module will be ON while activated. See Figure 28.
4. Once activated (indicator light ON), the tractor can be driven in reverse with the PTO (Blade Engage) in the engaged (ON) position.

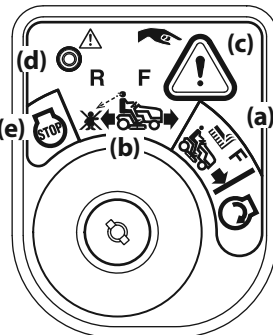


Figure 28

5. Always look down and behind before and while backing up slowly to make sure no children are around. After resuming forward motion, return key to the NORMAL MOWING (a) position to return to normal mowing operation.

The REVERSE CAUTION MODE (b) will remain activated until:

- a. The key is placed in either the NORMAL MOWING (a) position or STOP (e) position.
- b. The operator leaves the seat (electric PTO)/the parking brake is set (manual PTO).

Reverse Caution Mode (PBS Ignition)

The REVERSE CAUTION MODE allows the tractor to be operated in reverse with the PTO (Blade Engage) in the engaged (ON) position.

Note: Mowing in reverse is not recommended.

⚠ WARNING

Use extreme caution while operating the tractor in the REVERSE CAUTION MODE. Always look down and behind before and while backing. Do not operate the tractor when children or others are around. Stop the tractor immediately if someone enters the area.

To use the REVERSE CAUTION MODE:

Note: The operator MUST be seated in the tractor seat.

1. Start the engine as instructed above.
2. Press the REVERSE CAUTION MODE button and hold for 3 seconds. The indicator light will flash for 3 seconds and will stay on when the REVERSE CAUTION MODE is activated. See Figure 29.
3. The indicator light above the REVERSE CAUTION MODE button will be ON while activated. See Figure 29.
4. Once activated (indicator light ON), the tractor can be driven in reverse with the cutting PTO (Blade Engage) in the engaged (ON) position.
5. Always look down and behind before and while backing to make sure no children are around. After resuming forward motion, press the REVERSE CAUTION MODE button to return to NORMAL MOWING.
6. The REVERSE CAUTION MODE will remain activated until:
 - a. The REVERSE CAUTION MODE button is pressed again.
 - b. The ignition key is pressed or removed.
 - c. The operator leaves the seat.

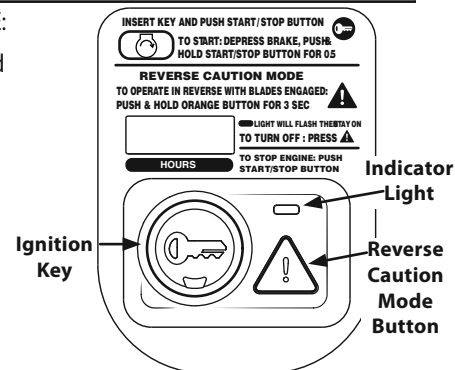


Figure 29

Engaging the PTO (Blade Engage)(Electric PTO tractors)

Engaging the PTO (Blade Engage) transfers power to the cutting deck or other (separately available) attachments. To engage the PTO:

1. Move the throttle to the FAST position.
2. Pull the PTO (Blade Engage) switch outward into the engaged (ON) position. See Figure 26.

Note: When operating the tractor be certain that the throttle is always in the FAST position. Operating with the throttle at less than full throttle may lead to premature battery wear and a poor quality cut.

3. To disengage the PTO (Blade Engage), push the PTO switch inward to the disengaged (OFF) position.

OPERATION

Engaging the PTO (Blade Engage)(Manual PTO tractors)

Engaging the PTO (Blade Engage) transfers power to the cutting deck. To engage the PTO:

1. Move the throttle to the FAST position.
2. Push the PTO (Blade Engage) lever forward into the engaged (ON) position. See Figure 30.

Note: When operating the tractor be certain that the throttle is always in the FAST position. Operating with the throttle at less than full throttle may lead to premature battery wear and a poor quality cut.

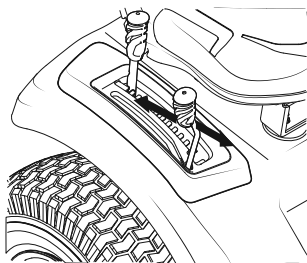


Figure 30

3. To disengage the PTO (Blade Engage), push the lever forward and to the right, out of the locked position, then release the lever into the disengaged (OFF) position.

Mowing

⚠ WARNING

To help avoid blade contact or a thrown object injury, keep bystanders, helpers, children and pets at least 75 feet from the machine while it is in operation. Stop machine if anyone enters the area.

⚠ WARNING

Make certain the area to be mowed is free of debris, sticks, stones, wire or other objects that can be thrown by the rotating blades.

Note: Do not engage the mower deck when lowered in grass. Premature wear and possible failure of the “V” belt and PTO clutch will result. Fully raise the deck or move to a non grassy area before engaging the mower deck.

- Mow up and down slopes, not across. If mowing a slope, start at bottom and work upward to ensure turns are made uphill.
- Do not mow at high ground speed, especially if a mulch kit or grass collector is installed.
- Do not cut the grass too short. Short grass is prone to weed growth and yellows quickly in dry weather.
- Always operate the tractor with the throttle in the FAST position while mowing.
- On the first pass, pick a point on the opposite side of the area to be mowed. Follow the point to maintain a straight line.
- Engage the PTO and move the throttle control or throttle/choke control to the FAST position.
- Lower the mower deck to the desired height setting.
- For best results it is recommended that the first two laps be cut with the discharge thrown towards the center. After the first two laps, reverse the direction to throw the discharge to the outside for the balance of cutting. This will give a better appearance to the lawn.

Note: The speed of the tractor will affect the quality of the mower cut. Mowing at full speed will adversely affect the cut quality.

- Your tractor is designed to cut normal residential grass of a height no more than 10” (25cm). Do not attempt to mow through unusually tall, dry grass (e.g., pasture) or piles of dry leaves. Dry grass or leaves may contact the engine exhaust and/or build up on the tractor.
- Do NOT attempt to mow heavy brush and weeds or extremely tall grass. Your tractor is designed to mow lawns, NOT clear brush.

- Keep the blades sharp and replace the blades when worn.
- When approaching the other end of the strip, slow down or stop before turning. A three point turn is recommended.
- Align the mower with an edge of the mowed strip and overlap approximately 3” (7.6 cm).
- Direct the tractor on each subsequent strip to align with a previously cut strip.
- To prevent rutting or grooving of the turf, if possible, change the direction that the strips are mowed by approximately 45° for the next and each subsequent mowing.

When stopping the tractor for any reason while on a grass surface, always:

- Engage the parking brake
- Shut engine off and remove the ignition key.
- Doing so will minimize the possibility of having your lawn “browned” by hot exhaust from your tractor’s running engine.

Using the Differential Lock (If equipped)

⚠ WARNING

- When the differential lock is on, be sure to allow for a larger turning radius and greater steering effort.
- Engage the differential lock only when the vehicle is stationary. Do not use the differential lock when traveling downhill.
- With or without the differential lock engaged, all Safe Operations Practices described in this manual must be followed.

Note: The system should only be used when poor traction is encountered. It should be disengaged when traveling on solid surfaces.

In some instances, the tractor may be driven in slippery or low-traction situations and it may be necessary to activate the differential lock. To use the differential lock proceed as follows.

1. Stop the motion of the tractor.
2. Depress the differential lock pedal to engage the differential lock.

Note: The differential lock only works while the pedal is depressed.

Note: Engagement may be delayed. The differential lock will engage when different wheel speeds are detected.

Note: Disengagement may be delayed. The differential lock will disengage when the rear wheel speeds allow it to release.

3. To disengage the differential lock, release the pedal.

SERVICE AND MAINTENANCE

MAINTENANCE SCHEDULE



WARNING

Before performing any type of maintenance/service, disengage all controls and stop the engine. Wait until all moving parts have come to a complete stop. Disconnect spark plug wire and ground it against the engine to prevent unintended starting. Always wear safety glasses during operation or while performing any adjustments or repairs.

Follow the maintenance schedule given below. This chart describes service guidelines only.

Refer to the Engine Operator's Manual for engine maintenance items listed in the table below.

	Before Each use	After First 5 Hours	Every 10 Hours	Every 25 Hours	Every 50 Hours	Every 100 Hours	Every 200 Hours	Prior to Storing	See Engine Manual
Check/Clean Engine Intake Screens & Cooling Fans #	✓							✓	
Check/Clean Exhaust Manifold, Muffler Pipe & Muffler Shields #	✓							✓	
Check/Clean Top & Underside of Deck, Under and Around Spindle Covers & Belt Area #	✓							✓	
Check/Clean Around Fuses, Wiring and Wiring Harnesses #	✓							✓	
Check/Clean Around Transmission, Axle and Fans #	✓							✓	
Check Air Filter for Dirty, Loose or Damaged Parts	✓								
Check Engine Oil Level	✓								
Clean Battery Terminals			✓					✓	
Grease All Lubrication Points			✓					✓	
Check Engine Intake Screen/Clean as Needed			✓					✓	
Check Blades/Sharpen or Replace as Needed			✓					✓	
Check Tire Pressure			✓					✓	
Check/Clean Underside of Deck	✓		✓						
Check Safety Interlock System			✓					✓	
Check Mower Blade Stop Time			✓					✓	
Inspect & Lube Deck Wheels				✓				✓	
Check Deck Level/Pitch				✓				✓	
Check Belts & Pulleys for Damage/Wear					✓				
Check That All Hardware is in Place & Secure						✓			
Check Engine Mounting Bolt Torque (Tighten to 325-450 in.-lbs. (37-50 N-m))		✓			✓			✓	✓
Check Blade Mount Nut Torque (Tighten to 70-90 ft. lbs. (95-122 N-m))		✓			✓			✓	
Check Spark Plug Condition & Gap						✓		✓	✓
Engine Break-In Oil Change		✓							✓
Change Engine Oil					✓			✓	✓
Check Fuel System (Lines, Tank, Cap, Fittings)		✓			✓			✓	✓
Check Spark Arrestor		✓			✓			✓	✓
Replace Oil Filter					✓			✓	✓
Clean or Change Air Filter					✓				✓
Replace Fuel Filter					✓				✓
Have Valve Lash Checked & Adjusted *									✓

* -- Have this item performed by an authorized service dealer

#-- Perform more often in dry conditions and/or when mulching

SERVICE AND MAINTENANCE

Note: This operator's manual covers several models. Tractor features may vary by model. Not all features in this manual are applicable to all tractor models and the tractor depicted may differ from yours.

Post-Operation Tractor Care

After each operation of the tractor, the following procedures should be implemented to extend the life of your tractor and ensure safe operating conditions.

WARNING

Failure to follow these recommendations may result in serious injury to yourself or others and may cause damage to the tractor.

Cleaning the Underside of the Deck

Deck Wash System

Your tractor's deck is equipped with a water port on its surface as part of its deck wash system.

Use the deck wash system to rinse grass clippings from the deck's underside and prevent the buildup of corrosive chemicals. Complete the following steps AFTER EACH MOWING:

1. Attach the nozzle adapter to a standard garden hose connected to a water supply.
2. Move the tractor to an area within reach of the hose where the dispersal of wet grass clippings is acceptable. Disengage the PTO, engage the parking brake and stop the engine.
3. Pull back the lock collar (a) of the nozzle adapter (b) and push the nozzle adapter onto the deck wash nozzle (c). Release the lock collar to lock the nozzle adapter on the deck wash nozzle. See Figure 31.
4. Turn on the water supply.
5. From the tractor operator's seat, start the engine and engage the PTO. Allow to run as needed. Disengage the PTO and stop the engine.
6. Turn off the water supply.
7. Pull back the lock collar of the nozzle adapter to disconnect the nozzle adapter from the deck wash nozzle.

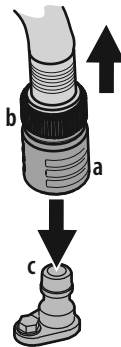


Figure 31

Cleaning the Tractor

WARNING

If the tractor has been recently run, the engine, muffler and surrounding metal surfaces will be hot and can cause burns to the skin. Let the engine cool for at least five minutes. Exercise caution to avoid burns.

Your tractor should be cleaned after each use and under certain conditions, i.e. dry conditions and/or mulching situations, additional cleaning may be necessary.

One of the best ways to keep your tractor running efficiently and to reduce fire risk is to regularly remove debris buildup from the tractor. Follow the recommendations below and contact your authorized dealer with any questions.

- Allow the tractor to cool at least five minutes in an open area before cleaning.

Note: Using a pressure washer or garden hose is not recommended for cleaning your tractor other than to clean the underside of the deck. It may cause damage to electrical components, spindles, pulleys, bearings or the engine. The use of water will result in shortened life and reduce serviceability.

- Clean under the hood, including exhaust manifold, around fuses, all wiring and harnesses, muffler pipe, muffler shield, engine intake screens and cooling fins, etc. See Figure 32.

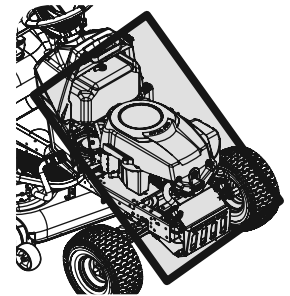


Figure 32

- Clean the top of the tractor deck, under the spindle covers and belt area. See Figure 33.

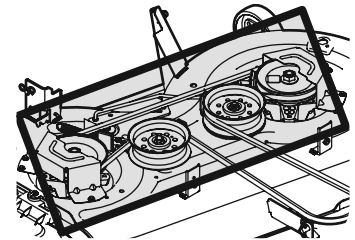


Figure 33

- Clean around and near the transmission, axle and the fan area. See Figure 34.
- Debris can accumulate anywhere on the tractor, especially on horizontal surfaces. Additional cleaning may be necessary when mowing in dry conditions or when mulching.
- Fuel leaks/spills, oil leaks/spills and excess lubrication can also become collection sites for debris. Immediate repair and cleaning up oil or fuel spills can help reduce fire hazards.
- In addition to cleaning the tractor before operating and storing, do not attempt to mow unusually tall grass, 10" (25cm) or higher, dry grass (e.g., pasture) or piles of dry leaves. Dry grass or leaves may contact the engine exhaust and/or build up on the tractor deck presenting a potential fire hazard.

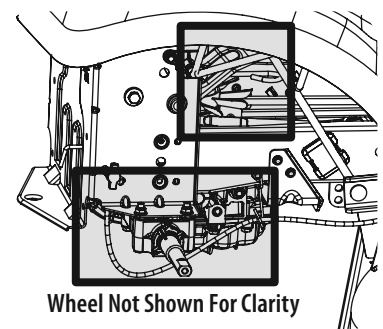


Figure 34

Storing the Tractor

- Allow the tractor to cool at least five minutes in an open area before storing.
- Do not park the tractor near any flammable materials (wood, cloth or chemicals) or any open flames or other potential source of ignition (furnace, water heater or any other type of heater).
- Remove all combustible materials from the tractor before storing. Empty cargo boxes, grass catchers or containers.
- Always shut off fuel flow when storing or transporting if tractor is equipped with a fuel shutoff.
- Check the fuel system (lines, tank, cap and fittings) frequently for cracks or leaks. Repair and clean as necessary.

SERVICE AND MAINTENANCE

Maintenance

Engine

⚠ WARNING

Allow machine to cool in an open area for at least five minutes before storing or refueling.

Refer to the Engine Operator's Manual for all engine issues and questions.

Note: Maintenance, repair, or replacement of the emission control devices and systems which are being done at owner's expense may be performed by any engine repair establishment or individual. Warranty repairs must be performed by an authorized dealer.

Changing the Engine Oil

⚠ WARNING

If the tractor has been recently run, the engine, muffler and surrounding metal surfaces will be hot and can cause burns to the skin. Let the engine cool for at least five minutes. Exercise caution to avoid burns.

NOTE: The oil filter should be changed at every oil change interval.

To complete an oil change, proceed as follows:

1. Run the engine for a short time to warm the engine oil. The oil will flow more freely and carry away more impurities. Use care to avoid burns from hot oil.
2. Open the tractor's hood and locate the oil drain port on the side of the engine.
3. Place an appropriate oil collection container with at least a 2.5 quart (2.36L) capacity below the opening of the oil drain tube, to collect the used oil. Remove the oil fill cap/dipstick from the oil fill tube.
4. Open the protective cap on the end of the oil drain valve to expose the drain port. See Figure 35.
5. Push the oil drain tube (packed with this manual) onto the oil drain port. Route the opposite end of the tube into an appropriate oil collection container with at least a 2.5 quart (2.36L) capacity to collect the used oil.
6. The engine is equipped with a twist-and-pull drain port. Turn the oil drain valve 1/4-turn counter-clockwise, then pull outward to begin draining oil. After the oil has finished draining, push the end of the oil drain valve back in and turn 1/4-turn clockwise to close the oil drain. Re-cap the end of the oil drain valve to keep debris from entering the drain port.
7. Replace the oil filter, and refill the engine with new oil as instructed in the engine operator's manual.
8. Reinstall the oil fill cap/dipstick.

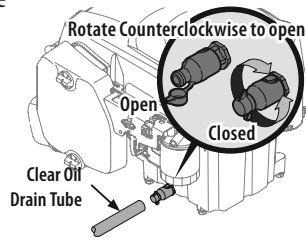


Figure 35

NOTE: Place an absorbent towel beneath the oil filter to keep oil off the engine pulley.

NOTE: Observe proper disposal laws and regulations for gas, oil, etc. to protect the environment.

NOTE: Maintenance, repair, or replacement of the emission control devices and systems which are being done at the owner's expense may be performed by any engine repair establishment or individual. Warranty repairs must be performed by an authorized dealer.

Lubrication

⚠ WARNING

Before lubricating, repairing, or inspecting, always disengage PTO, set parking brake, stop engine and remove key to prevent unintended starting.

Using a quality lubricating oil, lubricate all lubrication points. Refer to maintenance schedule chart located in this manual for proper service intervals.

Lubricating Front Wheels

Each of the front wheel axles and rims is equipped with a grease fitting. See Figure 36 for the location of the grease fitting on the axles and Figure 37 for the location of the grease fitting on the rims. Lubricate with a No. 2 multi-purpose grease applied with a grease gun per the Maintenance Schedule.

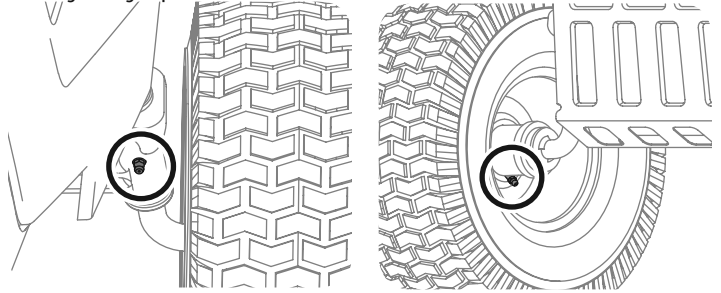


Figure 36

Figure 37

Lubricating Deck Wheels

The wheels on the deck which are spherical shaped (50" and 54" decks have 4) are equipped with a grease fitting. Lubricate with a No. 2 multi-purpose grease applied with a grease gun per the Maintenance Chart.

Lubricating Pivot Points & Linkage

Lubricate all the pivot points on the drive system, parking brake and lift linkage per the Maintenance Chart.

NOTE: It is not necessary to grease the steering pinion/sector gear interface. Doing so will allow dirt to accumulate and can affect steering performance.

Hydrostatic Transmission

The hydrostatic transmission is sealed at the factory and is maintenance-free. The fluid level cannot be checked and the fluid cannot be changed.

Spark Arrestor Maintenance (If Equipped)

Spark arrestor assemblies must be inspected and cleaned periodically (see the service interval chart in this manual). Visually inspect the screen for tears, broken wires or loose welds. Replace the spark arrestor assembly if any of these conditions exist. If the screen is in good condition, clean the screen by brushing away loose dirt or carbon particles.

Tires

Keep the tires inflated to the recommended pressures. Improper inflation will shorten the tire service life. See the tire side wall for proper inflation pressures. Refer to maintenance schedule chart located in this manual for proper service intervals.

Observe the following guidelines:

- Do not inflate a tire above the maximum pressure shown on the sidewall of the tire.
- Do not reinflate a tire that has been run flat or seriously under inflated. Have it inspected and serviced by a qualified tire mechanic.

SERVICE AND MAINTENANCE

Off-Season Storage

If your lawn tractor is not going to be operated for an extended period of time (thirty days to approximately six months), the lawn tractor should be prepared for storage. Store the lawn tractor in a dry and protected location. If stored outside, cover the lawn tractor (including the tires) to protect it from the elements. The procedures outlined below should be performed whenever the lawn tractor is placed in storage.

1. Change the engine oil and filter following the instructions provided in this manual as well as the engine manual provided with this tractor.

WARNING

Never store the tractor with fuel in the tank indoors or in poorly ventilated enclosures, where fuel fumes may reach an open flame, spark or pilot light as on a furnace, water heater, clothes dryer, etc.

2. If storing the tractor for 30 days or more:
 - a. To prevent gum deposits from forming inside the engine's carburetor and causing possible malfunction of the engine, the fuel system must be either completely emptied, or the gasoline must be treated with a stabilizer to prevent deterioration.
 - b. Using a fuel stabilizer for storage between 30 and 90 days:
 - Read the product manufacturer's instructions and recommendations.
 - Add to clean, fresh gasoline the correct amount of stabilizer for the capacity (approximately 3 gallons) of the fuel system.
 - Fill the fuel tank with treated fuel and run the engine for 2-3 minutes to get stabilized fuel into the carburetor.
 - Fuel left in the fuel tank deteriorates and will cause serious starting problems.
 - c. Emptying the fuel system for storage of more than 90 days:
 - Prior to putting the tractor in storage, monitor fuel consumption with the goal of running the fuel tank empty.
 - Run the engine until it begins to stall. Use the choke to keep the engine running until all fuel in the carburetor has been exhausted.
 - Referring to the engine manual, drain the fuel from the carburetor bowl.
3. Clean the engine and the entire tractor thoroughly.

Note: Using a pressure washer or garden hose is not recommended for cleaning your tractor other than to clean the underside of the deck. It may cause damage to electrical components, spindles, pulleys, bearings or the engine. The use of water will result in shortened life and reduce serviceability.

4. Fully charge the battery, then disconnect the negative cable at the battery to prevent possible discharge. Recharge the battery periodically when in storage.

Note: Remove the battery if exposed to prolonged periods of sub-freezing temperatures. Store in a cool, dry location where temperatures are above freezing.

5. Lubricate all lubrication points.

Removing the Lawn Tractor from Storage

1. Check the engine oil.
2. Fully charge the battery and inflate the tires to the recommended pressure. See tire side wall for proper tire inflation pressure.
3. Fill the fuel tank with clean, fresh gasoline.
4. Start the engine and allow to idle for a few minutes to ensure engine is operating properly.
5. Drive the tractor without a load to make certain all the tractor systems are functioning properly.

Adjustments

Deck Leveling

If the cutting deck appears to be mowing unevenly, leveling adjustments can be performed.

WARNING

If the tractor has been recently run, the engine, muffler and surrounding metal surfaces will be very hot and can cause burns to the skin. Let the engine cool for at least five minutes. Exercise caution to avoid burns.

NOTE: Check the tractor's tire pressure before performing any deck leveling adjustments. Refer to Tire Pressure in this section for information regarding tire pressure.

Leveling the Deck (Side-to-Side)

1. With the tractor parked on a firm, level surface, place the deck lift lever in the middle position and rotate both blades so that they are perpendicular with the tractor.
2. Measure the distance from the outside of the left blade tip to the ground and the distance from the outside of the right blade tip to the ground. Both measurements taken should be equal. If they're not, proceed to the next step.
3. Under the rear fenders inside the wheels there is a lift adjustment rod for each side of the deck. See Figure 38.
4. Minor side-to-side adjustments should be made using primarily the left adjustment rod.
5. To raise the left side of the deck, loosen the upper nut on the end of the lift rod, then turn the lower nut clockwise. When the proper adjustment is achieved, tighten the upper nut to secure in place. To lower the left side of the deck, loosen the upper nut on the end of the lift rod, then turn the lower nut counterclockwise. When the proper adjustment is achieved, tighten the upper nut to 25-30 ft-lbs (34-40 N-m) to secure in place.
6. The deck is properly leveled when both blade tip measurements taken earlier are equal.

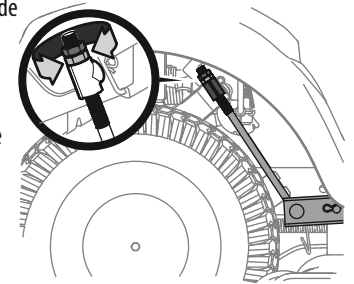


Figure 38

Leveling the Deck (Pitch/Front-To-Rear)

The front of the deck is supported by a stabilizer bar that can be adjusted to level the deck from front to rear. The front of the deck should be 1/4"-3/8" (6.35-9.5mm) lower than the rear of the deck. Adjust if necessary as follows:

1. Park the tractor on a firm, level surface and place the deck lift lever in the middle position and rotate the blade nearest the discharge chute so that it is parallel with the tractor.
2. Measure the distance from the front of the blade tip to the ground and the rear of the blade tip to the ground. The front of the deck should be between 1/4"-3/8" (6.35-9.5mm) less than the rear of deck.
3. Determine the approximate distance necessary for proper adjustment and proceed, if necessary.

SERVICE AND MAINTENANCE

4. To *raise* the front of the deck, loosen the outer nut then tighten (thread inward) the inner nut against the front hanger bracket. See Figure 39. When proper adjustment is achieved, re-tighten the outer nut to 25-30 ft.-lbs (34-40.7 N-m).

5. To *lower* the front of the deck, loosen the outer nut then loosen (thread outward) the inner nut, away from the front hanger bracket. See Figure 39. When proper adjustment is achieved, re-tighten the outer nut.

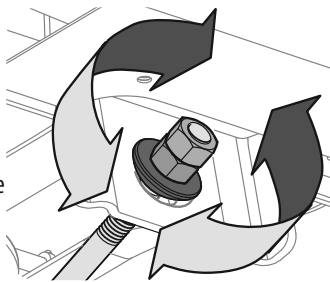


Figure 39

Adjusting the Deck Wheels

! WARNING

Keep hands and feet away from the discharge opening of the cutting deck.

NOTE: The deck wheels are an anti-scalp feature of the deck and are not designed to support the weight of the deck.

The deck wheels should be approximately 1/4-1/2" (6.35-12.7mm) above the ground when the deck is set in the desired height setting. To adjust the deck wheels see the Assembly section for instructions.

Service

Electrical System

A fuse is installed to protect the tractor's electrical system from damage caused by excessive amperage. Always use the same capacity fuse for replacement. If the electrical system does not function, check for a blown fuse.

If you have a recurring problem with blown fuses, have the tractor's electrical system checked by your authorized service dealer.

Relays and Switches

There are several safety switches in the electrical system. If a function of the safety interlock system described earlier is not functioning properly, have the electrical system checked by your authorized service dealer.

Parking Brake Adjustment

If the tractor does not come to a complete stop when the brake pedal is completely depressed, or if the tractor's rear wheels can roll with the parking brake applied (and the hydrostatic relief valve open), the brake is in need of adjustment. See your authorized service dealer to have the brake adjusted.

Hydrostatic Neutral Adjustment

If the tractor creeps forward or rearward when neither the forward nor reverse pedal is depressed, contact your local authorized dealer to have the neutral setting properly adjusted.

Wheel Alignment

If your tractor pulls to one side or is out of alignment, a wheel alignment might be necessary. Contact an authorized service dealer to have the wheels properly aligned.

Deck Removal

! WARNING

Use caution to avoid pinching your fingers when rolling the belt off the PTO pulley.

To remove the deck, proceed as follows:

1. Move the tractor to a level surface, disengage the PTO, stop the engine, ENGAGE the parking brake.
2. Lower the deck by moving the deck lift lever into the bottom notch on the right fender.
3. For tractors with a manual PTO continue with step 4, for electric PTO models skip ahead to step 8.

4. Loosen, but do not remove the flange lock nut on the right idler pulley and the hex screw on the left idler pulley.
5. Remove the hex screw securing the engine pulley keeper rod to the frame. See Figure 40.
6. Slide the rod to the right to remove it.

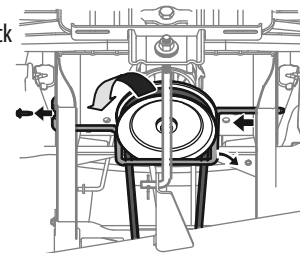


Figure 40

NOTE: Be careful not to damage the wire harness when removing the rod.

7. Remove the bow tie clip that secures the PTO cable to the bracket on the deck, slide the PTO cable out of the bracket and unhook the spring from the idler bracket. See Figure 41.

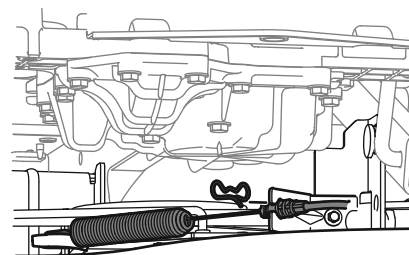


Figure 41

8. Working on the right side of the tractor, insert a 3/8" drive ratchet wrench, set to *tighten*, into square hole found on the idler bracket. See Figure 42.
9. Pivot the wrench forward to move the deck drive pulley forward. See Figure 42.
10. Carefully remove the belt from around the PTO pulley.

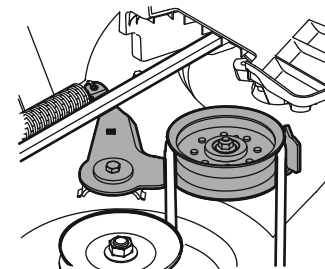


Figure 42

11. Looking at the deck from the left side of the tractor, locate the bow-tie pin on the rear left side of the deck. See Figure 43.
12. Remove the pin and slide the deck pin out of the deck lift arm. See Figure 43.
13. Repeat steps 11-12 on the tractor's right side.

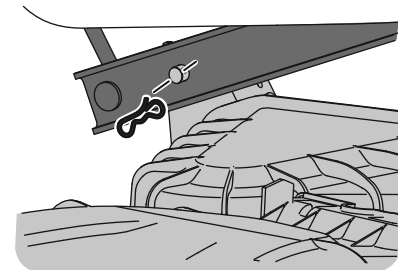


Figure 43

SERVICE AND MAINTENANCE

14. Pull the bow-tie pin out of the front deck lift rod securing it to the deck. See Figure 44. Slide the deck lift rod out of the front hanger bracket.
15. Move the deck lift lever into the top notch to raise the deck lift up and out of the way.
16. Gently slide the deck out from underneath the tractor.

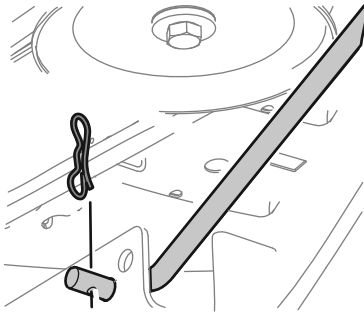


Figure 44

Removing the Blades

⚠ WARNING

- Shut the engine off and remove ignition key before removing the cutting blade(s) for sharpening or replacement. Protect your hands by using heavy gloves when grasping the blade.
- Periodically inspect the blade and/or spindle for cracks or damage, especially after you've struck a foreign object. Do not operate the tractor until damaged components are replaced.
- If the cutting edge of the blade has previously been sharpened, or if any metal separation is present, replace the blades with new ones.

FastAttach™ Blade System (If Equipped)

1. Set the tractor deck height to its highest position.
2. Carefully feel for the finger grooves on the blade collar at the sides of the blade.
3. Push upward on the blade collar and hold it. See Figure 45.
4. While holding the collar in the upward position, rotate the blade counterclockwise to free it from the collar. See Figure 46.
5. When the hole in the center of the blade aligns with the tractor blade retainer, carefully lower the blade. See Figure 47.

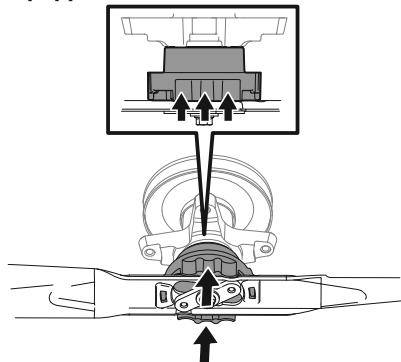


Figure 45

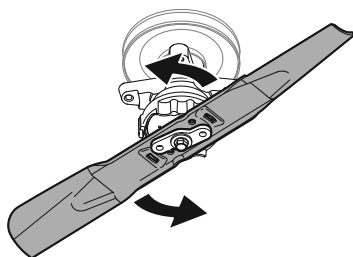


Figure 46

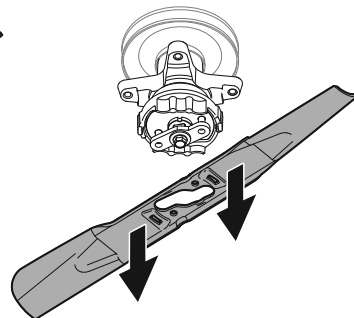


Figure 47

Standard Blade System (If Equipped)

1. Remove the deck from beneath the tractor, (refer to Deck Removal earlier in this section) then gently flip the deck over to expose its underside.
2. Place a block of wood between the deck housing baffle and the cutting blade to act as a stabilizer. See Figure 48.
3. Remove the hex flange nut that secures the blade to the spindle assembly.

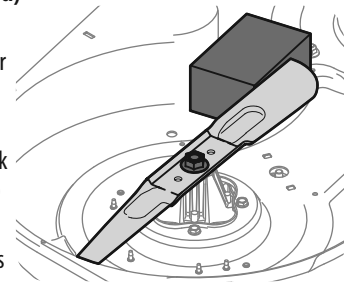


Figure 48

Installing the Blade

FastAttach™ Blade System (If Equipped)

1. Set the tractor deck height to its highest position.
2. Properly orient the blade. The bottom of the blade is labelled "Grass Side".
3. Position the blade under the spindle assembly, and carefully align the large opening in the center of the blade over the tractor blade retainer. See Figure 49.
4. Push the blade upward against the blade adapter until the collar above rises. See Figure 45.
5. Rotate the blade clockwise to align with the blade adapter. See Figure 50.
6. There will be an audible click when the blade is properly locked in place. See Figure 51.

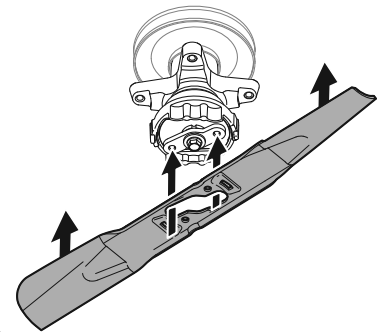


Figure 49

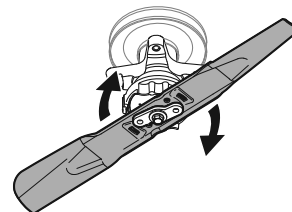


Figure 50

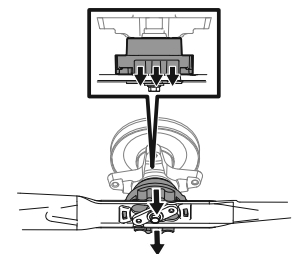


Figure 51

Standard Blade System (If Equipped)

1. With the deck removed gently flip the deck over to expose its underside.
2. Line up the the hole in the center of the blade with the s-shaped retainer at the bottom of the spindle assembly and slide the blade into place.
3. Place a block of wood between the deck housing baffle and the cutting blade to act as a stabilizer. See Figure 48.
4. Thread on the hex flange nut to secure the blade to the spindle assembly.
5. Use a torque wrench to tighten the blade spindle hex flange nut to 70 -90 ft-lbs (95-122 N-m).

NOTE: When replacing or reinstalling the blade, be sure to install the blade with the side of the blade marked "Bottom" (or with a part number stamped in it) facing the ground.

SERVICE AND MAINTENANCE

Sharpening the Blade

- To properly sharpen the cutting blades, remove equal amounts of metal from both ends of the blades along the cutting edges, parallel to the trailing edge, at a 25° to 30° angle. Always grind each cutting blade edge equally to maintain proper blade balance. See Figure 52.

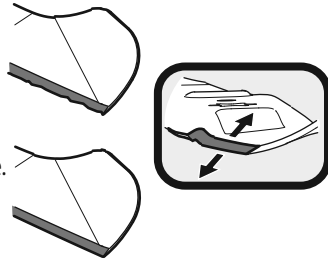


Figure 52

- Test the blade's balance using a blade balancer. Grind metal from the heavy side until it balances evenly.

WARNING

A poorly balanced blade will cause excessive vibration, may damage the tractor and/or result in personal injury.

Changing the Deck Belt and Reinstalling the Deck

CAUTION

The V-belts found on your tractor are specially designed to engage and disengage safely. A substitute (non-OEM) V-belt can be dangerous by not disengaging completely. For a proper working tractor, use factory approved belts.

All belts on your tractor are subject to wear and should be replaced if any signs of wear are present. To change or replace the deck belt on your tractor, proceed as follows:

- Remove the deck as instructed earlier in this section under Deck Removal.
 - Loosen, but do not remove the hardware on the right and left idler pulley.
- NOTE:** On some decks it may be necessary to remove the spindle covers to remove and/or install the new belt. To remove the spindle covers, remove the screws securing them to the deck.
- Carefully remove the belt from around the idler pulleys and the spindle pulleys.
 - Route the new belt as shown in the applicable figure on the following pages. See Figure 53 for 42" decks, Figure 54 for 46" decks and Figure 55 for 50" & 54" decks.

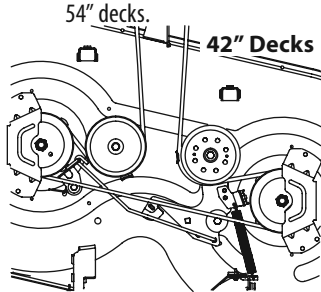


Figure 53

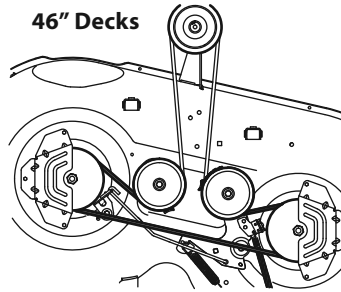


Figure 54

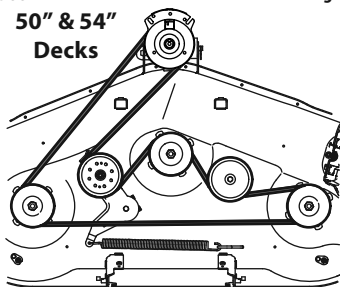


Figure 55

- NOTE:** Use a 3/8" drive ratchet wrench as instructed in earlier steps when routing the new belt to pivot the drive pulley.
- Ensure that the belt is routed properly along the idler pulleys and inside the belt keepers and retighten idler pulleys, if loosened earlier. Torque to 256-313 In-Lbs (29-35 N-m).
 - Remount the spindle covers if removed earlier.
 - Re-install the deck making sure the belt remains routed around the pulleys as instructed.

- On manual PTO units, re-install the engine pulley keeper rod and the PTO cable.
- Pull the right side of the belt and place the narrow V side of the belt into the PTO pulley. See Figure 56.

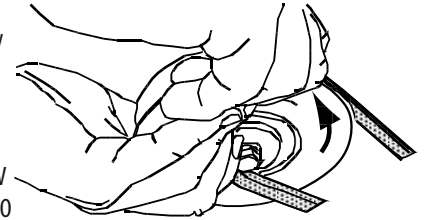


Figure 56

- While holding the belt and pulley together, rotate the pulley to the left. Continue holding and rotating the pulley and belt until the belt is fully rolled into the PTO pulley.

Removing the Brush Guard

WARNING

The exhaust system and surrounding areas are HOT. To avoid personal injury, allow the tractor to cool before beginning any brush guard installation or removal procedures.

- Remove two cotter pins, and then pull the pins. See Figure 57.
- The brush guard assembly may now be removed. See Figure 58.

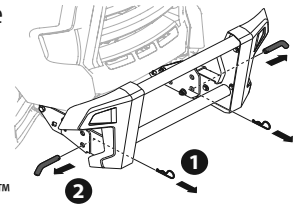


Figure 57

Note: The FastAttach™ brackets may be left in place for use with other FastAttach™ attachments. Contact your authorized service dealer for a complete list of products and availability.

Changing the Transmission Drive Belt

Several components must be removed and special tools used in order to change the tractor's transmission drive belt. Contact your authorized service dealer to have the transmission drive belt replaced.

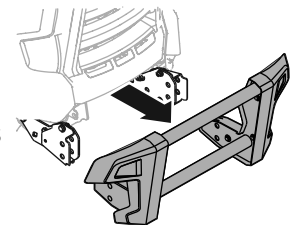


Figure 58

TROUBLESHOOTING

WARNING

Before performing any type of maintenance/service, disengage all controls and stop the engine. Wait until all moving parts have come to a complete stop. Disconnect spark plug wire and ground it against the engine to prevent unintended starting. Always wear safety glasses during operation or while performing any adjustments or repairs.

This section addresses minor service issues. To locate the nearest authorized service center consult the separate supplement sheet for contact information.

Problem	Cause	Remedy
Engine fails to start	<ol style="list-style-type: none"> 1. PTO/Blade Engage knob engaged. 2. Parking brake not engaged. 3. Spark plug wire disconnected. 4. Throttle control lever not in correct starting position. 5. Fuel tank empty, or stale fuel. 6. Blocked fuel line. 7. Faulty spark plug. 8. Engine flooded. 9. Fuse(s) blown. 	<ol style="list-style-type: none"> 1. Place knob in disengaged (OFF) position. 2. Engage parking brake. 3. Connect wire to spark plug. 4. Place Throttle lever to FAST position. 5. Fill tank with clean, fresh (less than 30 days old) gas. 6. Replace fuel line. See a qualified service dealer. Replace fuel filter. See the Service and Maintenance section. 7. Clean, adjust gap or replace plug. 8. Crank engine with throttle in FAST position. 9. Replace fuse.
Engine runs erratically	<ol style="list-style-type: none"> 1. Tractor running with Choke activated. 2. Spark plug wires loose. 3. Blocked fuel line or stale fuel. 4. Vent in gas cap plugged. 5. Water or dirt in fuel system. 6. Dirty air cleaner. 	<ol style="list-style-type: none"> 1. Check that the electric choke is working. See a qualified service dealer. 2. Connect and tighten spark plug wires. 3. Replace fuel line. See a qualified service dealer. Fill tank with clean, fresh gasoline and replace fuel filter. See the Service and Maintenance section. 4. Clear vent or replace cap if damaged. 5. Drain fuel tank. Refill with clean, fresh gasoline. See the Service and Maintenance section. 6. Clean or replace air cleaner paper element or clean foam pre-cleaner.
Engine overheats	<ol style="list-style-type: none"> 1. Engine oil level low 2. Air flow restricted 	<ol style="list-style-type: none"> 1. Fill engine with proper amount and type of oil. 2. Clean grass clippings and debris from around the engine's cooling fins and housing.
Engine hesitates at high RPMs	<ol style="list-style-type: none"> 1. Spark plug gap set too close 	<ol style="list-style-type: none"> 1. Remove spark plug and adjust gap.
Engine idles poorly	<ol style="list-style-type: none"> 1. Fouled spark plug 2. Dirty air cleaner 	<ol style="list-style-type: none"> 1. Replace spark plug and adjust gap. 2. Clean or replace air cleaner element and/or clean pre-cleaner.
Excessive vibration	<ol style="list-style-type: none"> 1. Cutting blades loose or unbalanced 2. Damaged, dull, or bent cutting blade. 	<ol style="list-style-type: none"> 1. Tighten blade and spindle. Balance blade. 2. Replace blade.
Tractor will not mulch grass	<ol style="list-style-type: none"> 1. Engine speed too low. 2. Wet grass. 3. Excessively high grass. 4. Dull blade. 	<ol style="list-style-type: none"> 1. Place Throttle control in FAST position. 2. Do not mulch when grass is wet. 3. Mow once at a high cutting height, then mow again at desired height or make a narrower cutting swath. 4. Sharpen or replace blade.
Uneven cut	<ol style="list-style-type: none"> 1. Deck not leveled properly. 2. Dull blade. 3. Uneven tire pressure. 	<ol style="list-style-type: none"> 1. Perform side-to-side deck adjustment. 2. Sharpen or replace blade. 3. Check tire pressure in all four tires.

MANUAL DEL OPERADOR

Tractor Cortacésped con Motor Frontal

Registro de Información del Producto

Antes de configurar y hacer funcionar su equipo nuevo, por favor localice la placa de modelo que viene en el equipo y registre la información en el espacio de la derecha. Para encontrar la placa de modelo, eleve el asiento y mire en la parte inferior de la bandeja del asiento. Si tiene que solicitar soporte técnico a través de nuestro sitio web o de un distribuidor de servicio local autorizado, necesitará esta información.

NÚMERO DE MODELO

--	--	--	--	--	--	--	--	--	--	--	--

NÚMERO DE SERIE

--	--	--	--	--	--	--	--	--	--	--	--

Índice

<i>Medidas Importantes de Seguridad</i>	2	<i>Servicio y Mantenimiento</i>	17
<i>Montaje</i>	7	<i>Solución de Problemas</i>	24
<i>Funcionamiento</i>	11	<i>Piezas/Garantía</i>	Consulte el suplemento que se adjunta por separado

▲ ADVERTENCIA

Lea y cumpla todas las reglas e instrucciones de seguridad de este manual antes de intentar operar esta máquina. Si no sigue estas instrucciones, se pueden provocar lesiones personales.

▲ ADVERTENCIA

Proposición 65 de California


El escape del motor de este producto, algunos de sus componentes y algunos componentes del vehículo contienen o liberan sustancias químicas que el Estado de California considera que pueden producir cáncer, defectos de nacimiento u otros problemas reproductivos.

Los terminales y contactos de la batería, y los accesorios afines contienen plomo y compuestos de plomo, sustancias químicas que el Estado de California considera que pueden producir cáncer y daños en el sistema reproductivo. Lávese las manos después de estar en contacto con estos componentes.

NOTA: Este Manual del Operador corresponde a varios modelos. Las características pueden variar según los modelos. No todas las características que se incluyen en este manual se aplican a todos los modelos y el modelo que se ilustra aquí puede diferir del suyo.

MEDIDAS DE SEGURIDAD

ADVERTENCIA

 Este símbolo indica instrucciones de seguridad importantes que, de no seguirse, podrían poner en peligro la seguridad personal y/o la propiedad suya y de terceros. Lea y cumpla todas las instrucciones de este manual antes de intentar hacer funcionar esta máquina. Si no sigue estas instrucciones, se pueden provocar lesiones personales. Cuando vea este símbolo, ¡PRESTE ATENCIÓN A LA ADVERTENCIA!

PELIGRO

Esta máquina está diseñada para ser utilizada respetando las medidas de seguridad contenidas en este manual. Al igual que con cualquier tipo de equipo motorizado, un descuido o error por parte del operador puede producir lesiones graves. Esta máquina es capaz de amputar dedos, manos y pies y de arrojar residuos. De no respetar las instrucciones de seguridad siguientes, se pueden ocasionar lesiones graves o la muerte.

Funcionamiento General

1. Lea, entienda y cumpla todas las instrucciones incluidas en el tractor y en los manuales antes de intentar armar la unidad y utilizarla. Guarde este manual en un lugar seguro para consultas futuras y periódicas, así como para solicitar repuestos.
2. Familiarícese con todos los controles y su correcto funcionamiento. Sepa cómo detener el tractor y desactivar los controles rápidamente.
3. No permita nunca que los niños menores de 14 años utilicen este tractor. Los niños de 14 años en adelante deben leer y entender las instrucciones y medidas de seguridad contenidas en este manual y sobre el tractor, y deben ser entrenados y supervisados por un adulto.
4. Nunca permita que los adultos operen este tractor sin recibir antes la instrucción apropiada.
5. Si se presentan situaciones que no están previstas en este manual, tenga cuidado y use el sentido común. Póngase en contacto con su representante de atención al cliente para obtener ayuda.
6. De conformidad con la Comisión de Seguridad de Productos para el Consumidor de los Estados Unidos (CPSC) y la Agencia de Protección Ambiental de los Estados Unidos (EPA), este producto tiene una vida útil estimada de siete (7) años, en condiciones normales de uso. Al final de su vida útil, se deberá solicitar una inspección del producto anualmente a fin de asegurarse de que todos los sistemas mecánicos y de seguridad funcionen adecuadamente, de manera segura y no estén excesivamente desgastados. Si no lo hace, puede ocasionar accidentes, lesiones o la muerte.

Preparativos Anteriores al Uso

1. Revise minuciosamente el área donde se va a usar el tractor. Saque todas las piedras, palos, cables, huesos, juguetes y demás objetos extraños que puedan ser recogidos y arrojados por la(s) cuchilla(s). Los objetos arrojados por la máquina pueden producir lesiones personales graves.
2. A fin de evitar lesiones por el contacto con las cuchillas o por objetos arrojados, mantenga a los asistentes a por los menos 75 pies (23 metros) del tractor mientras está en funcionamiento. Mantenga a las personas, los niños y las mascotas en interiores durante el funcionamiento. Detenga el tractor si alguien entra en la zona.
3. Esté atento a la dirección de la descarga del tractor y no apunte a nadie.
4. Para protegerse los ojos, utilice siempre anteojos o antiparras de seguridad durante la operación o mientras realiza ajustes o reparaciones. Los objetos arrojados que rebotan pueden producir lesiones graves en los ojos.
5. Utilice zapatos de trabajo resistentes, de suela fuerte, y pantalones y camisas ajustados. Las ropas sueltas, las alhajas y el cabello largo pueden engancharse en las piezas móviles. Nunca haga funcionar este tractor si está descalzo o con sandalias.
6. Nunca llene en exceso el depósito de combustible. Llene el depósito no más de 1/2" (13 mm) por debajo de la base del cuello de llenado, para dejar espacio para la expansión del combustible.
7. Vuelva a colocar la tapa de la gasolina y ajústela bien.
8. Use solo aditamentos o accesorios aprobados para este tractor por el fabricante del tractor. Lea, comprenda y siga todas las instrucciones incluidas con el accesorio o implemento aprobado.

Funcionamiento

1. Los datos estadísticos muestran que los operadores mayores de 65 años se ven implicados en un alto porcentaje de lesiones relacionadas con tractores. Estos operadores deben evaluar su capacidad para operar el tractor en forma suficientemente segura para protegerse a ellos mismos y a los demás contra lesiones graves.
2. Desacople las cuchillas y coloque el freno de mano antes de intentar encender el tractor.
3. No ponga las manos ni los pies cerca de las piezas rotatorias ni debajo de la plataforma de corte. El contacto con la(s) cuchilla(s) puede amputar manos y pies.
4. Esté atento a los hoyos, surcos, baches, rocas, u otros objetos ocultos. El terreno desnivelado puede hacer que vuelque el tractor. El césped alto puede ocultar obstáculos.
5. Planifique el patrón de corte, para evitar que la descarga de material se realice hacia los caminos, las veredas, los asistentes, etc. Evite descargar material contra una pared u obstrucción, ya que esto podría hacer que el material descargado rebotara contra el operador.
6. Revise la holgura superior antes de conducir debajo de ramas bajas de árboles, cables, cerramientos de puertas, etc., donde el operador puede golpearse o ser tirado del tractor, lo que podría resultar en lesiones graves.
7. Nunca deje un tractor en funcionamiento sin vigilancia. Siempre apague las cuchillas, ponga el freno de mano, pare el motor y retire la llave antes de desmontar.
8. Desacople la(s) cuchilla(s), coloque el freno de mano, detenga el motor y espere hasta que la(s) cuchilla(s) se detenga(n) por completo antes de retirar el colector de recortes de césped, vaciar los recortes, desbloquear el canal de descarga, retirar cualquier residuo o desecho, o realizar cualquier ajuste.
9. Su tractor fue diseñado para cortar césped residencial normal, con una altura no mayor de 10" (25 cm). No intente cortar césped demasiado crecido, seco (por ej., pastura) ni pilas de hojas secas. El césped o las hojas que están secos pueden entrar en contacto con el escape del motor y/o acumularse en la plataforma del tractor presentando un potencial peligro de incendio.
10. Retroceda lentamente. Siempre mire hacia abajo y hacia atrás antes y mientras retrocede para evitar accidentes en retroceso.
11. Nunca lleve pasajeros.
12. Manténgase a por lo menos 10 pies (3 metros) de barrancos, zanjas o terraplenes o del borde del agua. El tractor puede volcarse repentinamente si una de las ruedas pasa el borde de un acantilado o zanja o si se desmorona un borde.
13. Un deflector del canal faltante o dañado puede provocar lesiones por contacto con las cuchillas o por objetos arrojados.
14. No opere el tractor si no está el deflector del canal o el colector de césped completo en su lugar correspondiente.
15. Tenga mucho cuidado con los colectores de césped y otros accesorios. Pueden modificar la estabilidad del tractor. Siga siempre las instrucciones del fabricante del accesorio.
16. Detenga las cuchillas cuando cruce caminos de gravilla, senderos o caminos y cuando no esté cortando el césped.

MEDIDAS DE SEGURIDAD

17. Vigile el tránsito vehicular cuando esté operando cerca de caminos o en cruces. Este tractor no se ha diseñado para el uso en la vía pública.
18. Úsela solamente con luz natural o con buena luz artificial.
19. No haga funcionar el tractor si se encuentra bajo los efectos del alcohol o las drogas.
20. Reduzca la velocidad antes de girar. Opere el tractor suavemente. Evite que funcione de manera errática y a excesiva velocidad.
21. El silenciador y el motor están a temperatura muy alta y pueden provocar lesiones graves por quemaduras. No los toque. Deje que se enfríe el tractor durante cinco minutos antes de intentar cualquier tarea de mantenimiento.
22. Nunca haga funcionar un motor en interiores o en un área mal ventilada. El escape del motor contiene monóxido de carbono, un gas inodoro y letal.

Niños

1. Se pueden producir accidentes trágicos si el operador no está alerta a la presencia de niños. Por lo general, los niños se sienten atraídos por el tractor y su actividad. Los niños no son conscientes de los peligros. Nunca asuma que los niños permanecerán donde los vio por última vez.
2. Mantenga a observadores, niños y mascotas en interiores durante la operación bajo la atenta supervisión de un adulto responsable que no sea el operador. Detenga el tractor si alguien entra en la zona.
3. Nunca transporte niños, ni siquiera con las cuchillas desactivadas. Podrían caerse y resultar gravemente heridos o interferir con la operación segura del tractor. Los niños que ya hubieran sido transportados en ocasiones anteriores podrían aparecer repentinamente en la zona de corte para otra vuelta y ser atropellados o también podrían ser arrollados al dar marcha atrás con el tractor.
4. Esté alerta y apague el tractor si un niño o un observador ingresa al área.
5. Para evitar accidentes al retroceder, siempre mire hacia atrás y hacia abajo para ver si hay niños.
6. Tenga mucho cuidado al aproximarse a esquinas ciegas, puertas, arbustos, árboles u otros objetos que puedan obstaculizarle la vista de un niño que pudiese correr al encuentro del tractor.
7. No permita nunca que los niños menores de 14 años utilicen este tractor. Los niños de 14 años en adelante deben leer y entender las instrucciones y las prácticas de operación seguras contenidas en este manual y sobre el tractor, y deben ser entrenados y supervisados por un adulto.
8. No permita que se transporte a ningún niño por diversión en el tractor. El tractor no es un juguete ni un carro de paseo. Adviértales a sus hijos que el tractor puede ser peligroso y que deben mantenerse alejados de él en todo momento.
9. Mantenga a los niños alejados de los motores calientes o en funcionamiento. Pueden sufrir quemaduras al tocar un silenciador caliente.
10. Retire la llave cuando el tractor quede sin vigilancia para evitar el funcionamiento no autorizado. Asegúrese de que la llave quede fuera del alcance de los niños pequeños.

Operación en Pendientes

1. Las pendientes son un factor importante en los accidentes ocasionados por pérdida de control y vuelcos que pueden causar lesiones graves e incluso la muerte. Todas las pendientes requieren precaución extra. Si no puede retroceder por la pendiente o si no se siente seguro, no realice ningún corte.
2. Para su seguridad, mida las pendientes antes de usar el tractor en el lugar inclinado. Use un dispositivo de medición de pendientes además del indicador de pendiente que se incluye como parte de este manual para medir las pendientes antes de operar este tractor sobre una zona inclinada o con pendientes. Para medir las pendientes, también se pueden usar aplicaciones de teléfonos inteligentes. Si la pendiente es de más de 15 grados (25%) según figure en el indicador de pendiente o un dispositivo de medición de pendientes, no haga funcionar este tractor en ese sector pues podría causar lesiones graves.
3. No corte el césped en pendientes de más de 15 grados (25%).
4. No corte el césped subiendo y bajando pendientes, solo hágalo de forma transversal a las pendientes que son de menos de 15 grados (25%). Utilice las velocidades bajas y evite los giros bruscos.

5. No corte el césped húmedo. La reducción de la tracción puede causar derrapes o pérdidas del control.
6. No opere el tractor en ninguna condición en la que se comprometan la tracción, la dirección o la estabilidad. Los neumáticos podrían deslizarse incluso si las ruedas están detenidas.
7. Evite arrancar y parar en una pendiente. Evite hacer cambios repentinos de velocidad o dirección. Haga los giros de forma lenta y gradual.
8. Tenga mucho cuidado al operar este tractor con el colector de césped y otros accesorios. Pueden comprometer la estabilidad del tractor. No utilice el colector de césped en pendientes superiores a 10 grados (17%).
9. No intente estabilizar el tractor poniendo el pie en el suelo.
10. Haga que todos los movimientos en las pendientes sean lentos y graduales. No realice cambios bruscos de velocidad o dirección. La aceleración repentina podría hacer que el frente del tractor se levantara y volcara rápidamente hacia atrás, lo que podría producir lesiones graves o la muerte.

Incendios y Combustible

1. Para evitar lesiones personales y daños materiales tenga mucho cuidado al manipular la gasolina. La gasolina es sumamente inflamable y sus vapores son explosivos. Si se derrama gasolina encima o sobre la ropa se puede lesionar gravemente ya que se podría prender fuego. Lávese la piel y cámbiese de ropa de inmediato.
2. Apague los cigarrillos, cigarros, pipas y toda otra fuente de combustión.
3. Utilice sólo recipientes para gasolina aprobados.
4. Nunca saque la tapa del combustible ni agregue combustible mientras el motor está caliente o en marcha. Deje que el motor se enfríe por lo menos cinco minutos antes de volver a cargar combustible.
5. Nunca cargue combustible en los tractores en interiores.
6. Nunca guarde el tractor o el recipiente de combustible en un espacio cerrado donde haya fuego, chispas o luz piloto, como por ejemplo de calentadores de agua, calefactores de ambientes, hornos, secadores de ropa u otros aparatos a gas.
7. Limpie la gasolina que se pueda haber derramado sobre el motor y el equipo. Limpie los derrames de combustible o de aceite y elimine los residuos empapados con gasolina. Traslade el tractor a otra zona. Espere 5 minutos antes de arrancar el motor.
8. Para reducir el riesgo de incendio, mantenga el tractor limpio de pasto, hojas y residuos acumulados. Siga las instrucciones de limpieza que figuran en la sección Servicio y Mantenimiento.
9. Su tractor fue diseñado para cortar césped residencial normal, con una altura no mayor de 10" (25 cm). No intente cortar césped demasiado crecido, seco (como un pastizal) ni pilas de hojas secas. El césped o las hojas que están secos pueden entrar en contacto con el escape del motor y/o acumularse en la plataforma del tractor presentando un potencial peligro de incendio.
10. Nunca llene en exceso el depósito de combustible. Llene el tanque no más de ½ pulgada por debajo de la base del cuello de llenado, para dejar espacio para la expansión del combustible.
11. Vuelva a colocar la tapa de la gasolina y ajústela bien. No opere el tractor si la tapa del combustible no está colocada en su lugar.
12. Deje que el tractor se enfríe por lo menos cinco minutos antes de cargarle combustible o guardarlo.
13. Nunca llene los recipientes en el interior de un vehículo o camión o caja de remolque con un recubrimiento plástico. Siempre ubique los recipientes en el piso, lejos del vehículo antes de llenarlos.
14. Cuando sea factible, retire el equipo a gasolina del camión o remolque y llénelo en el suelo. Si esto no es posible, recargue combustible sobre el remolque con un recipiente portátil, en lugar de una boquilla dosificadora de combustible.
15. En todo momento, mantenga el pico en contacto con el borde del depósito de combustible o con la boca del recipiente, hasta terminar la carga. No utilice un dispositivo de bloqueo/apertura de boquilla.

MEDIDAS DE SEGURIDAD

Transporte

1. Utilice rampas de ancho total bien sujetas para cargar y descargar un tractor para el transporte.
2. Tenga mucho cuidado al cargar o descargar el tractor en un remolque o camión. Este tractor no debe conducirse subiendo o bajando rampas, ya que el tractor podría volcar y provocar lesiones personales graves. El tractor se debe empujar a mano en rampas para cargarlo o descargarlo correctamente.
3. Eleve la plataforma hasta la posición más alta para tener separación para la carga.

Remolques con su Tractor

1. No remolque cargas que superen las 250 libras (113 kg) de peso de arrastre y nunca supere las 50 libras (22 kg) de peso sobre el punto de enganche.
2. No acople equipo remolcado excepto en el punto de enganche del tractor.
3. Nunca permita que los niños y otras personas se suban a equipos remolcados.
4. No remolque en pendientes de más de 5 grados (9%). En las pendientes, el peso del equipo remolcado puede causar pérdida de tracción y pérdida de control, y/o de la capacidad para detenerse.
5. Siempre tenga mucho cuidado al remolcar con un tractor capaz de hacer giros cerrados (por ejemplo, tractor de giro cerrado). Realice giros amplios para el acodillamiento.
6. Desplácese lentamente y deje distancia adicional para detenerse.

Servicio

1. Mantenga la máquina en buenas condiciones de funcionamiento. No use el tractor hasta que se reemplacen las piezas desgastadas o dañadas.
2. Para evitar lesiones graves o la muerte, no modifique el motor de ninguna manera. Si cambia la configuración del regulador, el motor podría funcionar a velocidades inseguras. Nunca modifique el ajuste de fábrica del regulador del motor. No cambie la configuración del regulador del motor ni acelere demasiado el motor. El regulador del motor controla la velocidad máxima de funcionamiento seguro del motor.
3. Las cuchillas del tractor son afiladas. Envuelva la cuchilla o utilice guantes y extreme las precauciones cuando les haga mantenimiento.
4. Los tractores que tienen motores, mangueras o bombas hidráulicas, y/o sistemas de inyección diesel tienen sistemas de líquidos bajo presión. El líquido que escapa a presión puede tener fuerza suficiente para penetrar la piel y causar lesiones graves. Si se inyecta líquido en la piel, consulte de inmediato a un médico. Mantenga el cuerpo y las manos alejados de los orificios de pasadores o los picos que expulsan líquido a alta presión. Si ocurre una pérdida, haga que un distribuidor autorizado realice el mantenimiento del tractor de inmediato.
5. Antes de limpiar, reparar o inspeccionar la máquina, compruebe que la(s) cuchilla(s) y todas las piezas móviles se hayan detenido. Apague el motor, saque la llave y desconecte los cables de la bujía y póngalos haciendo tierra contra el motor para evitar que se encienda accidentalmente.
6. Controle que las cuchillas se detengan completamente en no más de cinco (5) segundos después de desactivar el control de desactivación de las cuchillas según el intervalo que figura en la tabla del Programa de Mantenimiento dentro de la sección Servicio y Mantenimiento de este manual. Mida el tiempo hasta la detención con un cronómetro. Si las cuchillas no se detienen en este lapso, su máquina necesita un servicio profesional de un distribuidor autorizado.
7. Controle el correcto funcionamiento del sistema de enclavamiento de seguridad según el intervalo que figura en la tabla del Programa de Mantenimiento dentro de la sección Servicio y Mantenimiento de este manual. Si el sistema de enclavamiento de seguridad no funciona correctamente, lleve su tractor a hacerle un servicio profesional por un distribuidor autorizado.
8. Nunca altere el sistema de enclavamiento de seguridad u otros dispositivos de seguridad. Controle periódicamente que funcionen de forma adecuada.

9. Controle el par de ajuste del perno de montaje del motor y las cuchillas de acuerdo con la tabla del Programa de Mantenimiento de este manual. Además, inspeccione visualmente las cuchillas para detectar la presencia de daños (por ejemplo: desgaste excesivo, abolladuras, rajaduras). Reemplace las cuchillas por cuchillas de los fabricantes del equipo original (O.E.M.) únicamente.
10. El uso de piezas que no cumplen con las especificaciones del equipo original puede resultar en rendimiento inadecuado y poner en peligro la seguridad.
11. Mantenga todas las tuercas, pernos y tornillos bien ajustados para asegurarse de que el equipo está en condiciones de funcionamiento seguras. Revise la tabla del Programa de Mantenimiento que figura en este manual para obtener información sobre el intervalo de servicio.
12. Después de golpear algún objeto extraño, detenga el motor, desconecte los cables de la bujía y conéctelos a tierra con el motor. Revise el tractor cuidadosamente para detectar daños. Repare el daño antes de volver a arrancar y operar la máquina.
13. Nunca intente hacer ajustes o arreglos en el tractor con el motor en marcha.
14. Los componentes del colector de césped y el deflector del canal están sujetos a desgaste y daños lo que podrían dejar expuestas las piezas móviles o permitir que se arrojaran objetos. Verifique frecuentemente los componentes y reemplácelos inmediatamente por piezas del fabricante del equipo original (O.E.M.) únicamente.
15. Mantenga o reemplace las etiquetas de seguridad e instrucciones según sea necesario.
16. Respete las normas y reglamentaciones sobre la manera correcta de eliminar gasolina, aceite, etc. para proteger el medio ambiente.

Aviso sobre las Emisiones del Motor

Los motores tienen la certificación de cumplimiento de las reglamentaciones sobre emisiones federales de EPA y California para SORE (equipo pequeño para uso fuera de carreteras), funcionan con gasolina normal sin plomo y pueden incluir los siguientes sistemas de control de emisiones: Modificación de motor (EM) y catalizador de tres vías (TWC) si están equipados con esos sistemas.

Cuando sea necesario, los modelos están equipados con líneas de combustible y depósitos de combustible de baja penetración para controlar las emisiones por evaporación. Los modelos de California también pueden incluir un filtro de carbono. Por favor, póngase en contacto con Atención al Cliente para obtener información sobre la configuración del control de emisiones por evaporación para su modelo.

Amortiguador de Chispas

ADVERTENCIA

Este tractor está equipado con un motor de combustión interna y no debe ser utilizado en o cerca de un terreno agreste cubierto por bosque, malezas o hierba excepto que el sistema de escape del motor esté equipado con un amortiguador de chispas que cumpla con las leyes locales o estatales correspondientes (en caso de existir).




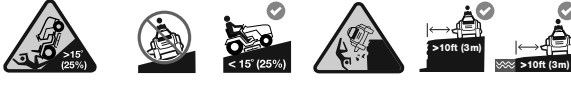


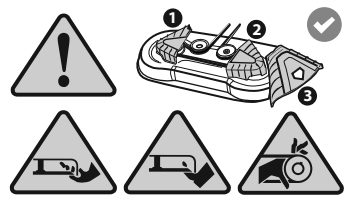
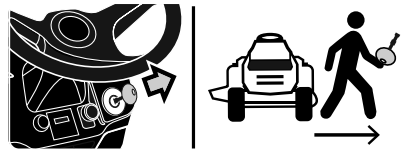
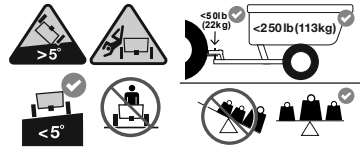
Si se utiliza un amortiguador de chispas el operador lo debe mantener en condiciones de uso adecuadas. En el Estado de California, las medidas anteriormente mencionadas son exigidas por ley (Artículo 4442 del Código de Recursos Públicos de California). Es posible que existan leyes similares en otros estados. Las leyes federales se aplican en territorios federales.

Puede conseguir el amortiguador de chispas para el silenciador a través de su distribuidor autorizado de motores más cercano o poniéndose en contacto con el departamento de servicios, P.O. Box 361131 Cleveland, Ohio 44136-0019.

MEDIDAS DE SEGURIDAD

Símbolos de Seguridad

En esta página, se presentan y describen los símbolos de seguridad que PUEDEN APARECER en este producto.

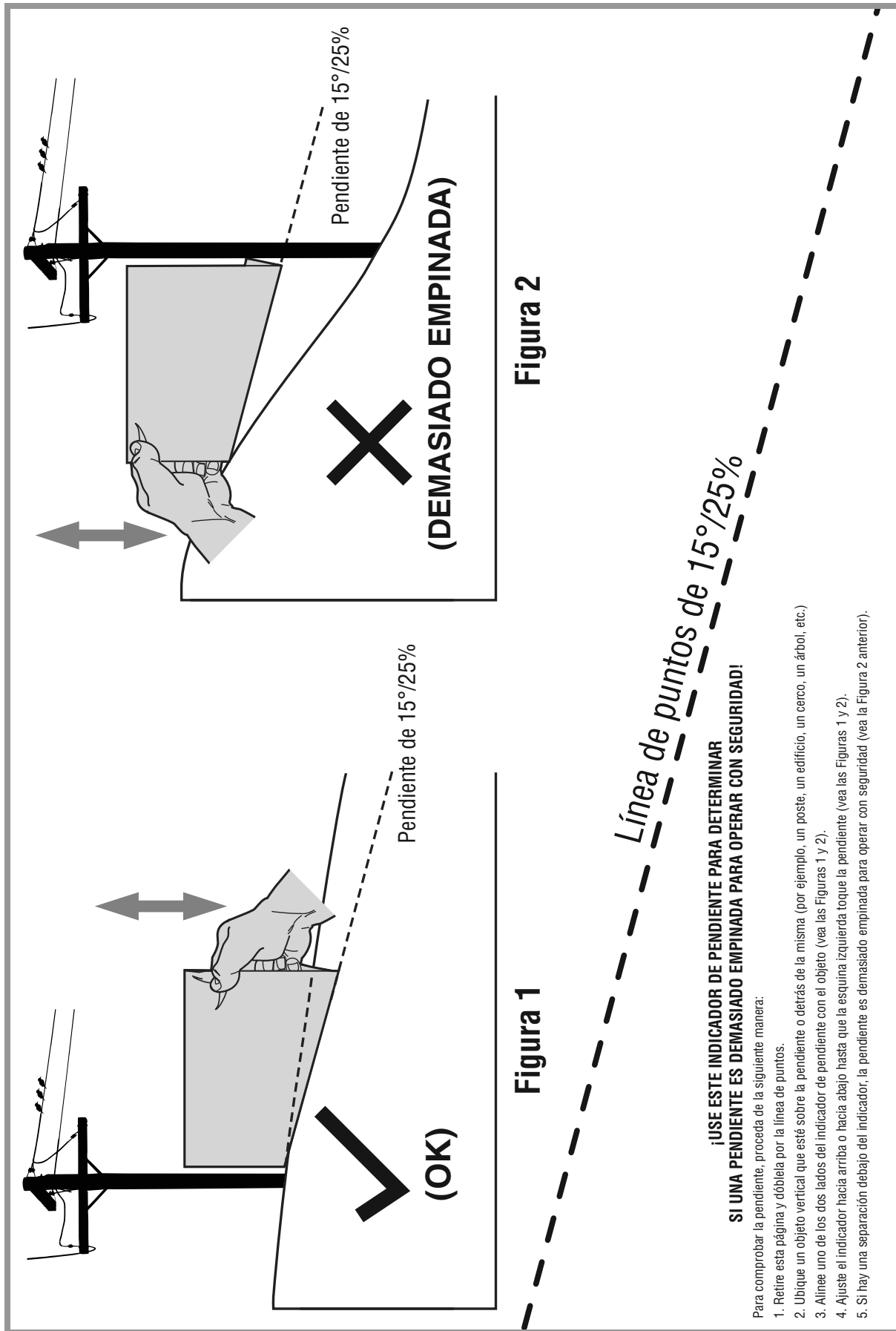
Símbolo	Descripción
 <p>OPESymbol.com</p>	<p>ADVERTENCIA – LEA EL MANUAL DEL OPERADOR Lea, entienda y cumpla todas las reglas e instrucciones de seguridad que se incluyen en el manual y en el tractor antes de intentar utilizar este tractor. Si no cumple con lo que indica esta información, se pueden provocar lesiones personales o la muerte. Conserve este manual en un lugar seguro para usarlo como referencia futura habitual. Con un teléfono inteligente, escanee el símbolo del código de QR para obtener más información sobre las advertencias incluidas en este tractor. También puede visitar www.OPESymbol.com para obtener más información.</p>
	<p>ADVERTENCIA – EVITE LESIONES POR OBJETOS ARROJADOS Mantenga a los asistentes por lo menos a 75' (23 metros) de la máquina durante la operación. Saque todas las piedras, palos, cables, huesos, juguetes y demás objetos extraños que puedan ser recogidos y arrojados por la(s) cuchilla(s). Nunca opere el tractor si no está bien colocada la cubierta de descarga o si no está instalado el colector de césped completo en el lugar que corresponde.</p>
	<p>ADVERTENCIA - EVITE LESIONES EN NIÑOS AL RETROCEDER/POR ATROPELLAR/POR CONTACTO CON LAS CUCHILLAS Para evitar accidentes al retroceder, siempre mire hacia atrás y hacia abajo para ver si hay niños. Nunca transporte niños, ni siquiera con las cuchillas desactivadas. Mantenga a los observadores, los niños y las mascotas en interiores durante la operación bajo la atenta supervisión de un adulto responsable que no sea el operador. Detenga el tractor si alguien entra en la zona.</p>
	<p>ADVERTENCIA - EVITE LESIONES POR VUELCOS No opere la máquina en una pendiente mayor de 15° (25%). No corte el césped subiendo y bajando pendientes, solo hágalo de forma transversal a las pendientes que son de menos de 15 grados (25%). Utilice las velocidades bajas y evite los giros bruscos en las pendientes. Manténgase a por lo menos 10 pies (3 metros) de barrancos, zanjas o terraplenes o del borde del agua.</p>
	<p>ADVERTENCIA - EVITE INCENDIOS Su tractor fue diseñado para cortar césped residencial normal, con una altura no mayor de 10" (25 cm). No intente cortar césped demasiado crecido, seco (como un pastizal) ni pilas de hojas secas. Deje que el tractor se enfríe por lo menos cinco minutos antes de cargarle combustible o guardarlo en un garaje cerrado o en una barraca de almacenamiento.</p>
	<p>ADVERTENCIA - EVITE LESIONES DE AMPUTACIÓN No ponga las manos ni los pies cerca o debajo de la plataforma de corte. El contacto con las cuchilla(s) puede amputar manos y pies.</p>
	<p>ADVERTENCIA - EVITE LESIONES DE AMPUTACIÓN No ponga las manos ni los pies cerca de las piezas rotatorias ni debajo de la plataforma de corte. El contacto con la(s) cuchilla(s) puede amputar manos y pies. Compruebe que todos los dispositivos de seguridad (protecciones, escudos, interruptores, etc.) estén en su lugar y funcionando. El contacto con las correas y/o el husillo de las cuchillas puede aplastar o lesionar las partes del cuerpo.</p>
	<p>ADVERTENCIA - SACAR LA LLAVE Apague siempre las cuchillas, ponga el freno de mano, pare el motor y saque la llave antes de bajarse. Si va a dejar el tractor sin supervisión, saque siempre la llave para evitar que niños u otras personas utilicen el tractor sin autorización.</p>
	<p>ADVERTENCIA - EVITE LAS LESIONES RELACIONADAS CON EL REMOLQUE No remolque cargas que superen las 250 libras (113 kg) de peso de arrastre y nunca supere las 50 libras (22 kg) de peso sobre el punto de enganche. Nunca permita que los niños y otras personas se suban a equipos remolcados. No remolque en pendientes de más de 5 grados (9%). En las pendientes, el peso del equipo remolcado puede causar pérdida de tracción y pérdida de control, y/o de la capacidad para detenerse. Desplácese lentamente y deje distancia adicional para detenerse.</p>

⚠ ADVERTENCIA

Su Responsabilidad — Limite el uso de esta máquina motorizada a las personas que lean, comprendan y respeten las advertencias e instrucciones que figuran en este manual y en la máquina.

¡GUARDE ESTAS INSTRUCCIONES!

INDICADOR DE PENDIENTE



¡ADVERTENCIA! Las pendientes son un factor importante relacionado con accidentes por tumbos y vuelcos que pueden producir lesiones graves o la muerte. No utilice la máquina en pendientes de más de 15°. Todas las pendientes requieren precaución extra. Si no puede retroceder por la pendiente o si no se siente seguro, no realice ningún corte. Siempre corte hacia arriba y hacia abajo de las pendientes, nunca de manera transversal.

MONTAJE

Nota: Este Manual del Operador corresponde a varios modelos. Las características del tractor pueden variar según los modelos. No todas las características que se incluyen en este manual se aplican a todos los modelos de tractor y la máquina que se ilustra aquí puede diferir de la suya.

Nota: Todas las referencias que contiene este manual a los lados derecho o izquierdo y trasero o delantero del tractor son siempre desde la posición de operación. Las excepciones, si las hubiere, serán especificadas.

Preparativos

Movimiento manual del tractor

1. Acople la varilla de derivación de la transmisión para mover el tractor manualmente sin ponerlo en marcha. La varilla de derivación de la transmisión está ubicada en la parte trasera del tractor, sobre el bastidor. Acople la varilla de derivación tirando hacia afuera. Consulte la Figura 1.

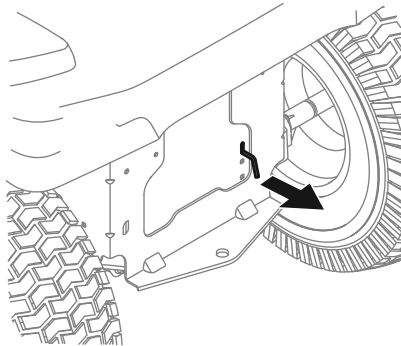


Figura 1

NOTA: Si el tractor no se mueve o no se mueve libremente al empujarlo compruebe si la varilla de derivación hidrostática está completamente abierta o si el freno está activado.

NOTA: La transmisión NO se accionará cuando la varilla de derivación hidrostática esté tirada hacia fuera. Regrese la varilla a su posición desactivada antes de operar el tractor.

2. Después de mover el tractor, desacople la varilla de derivación hidrostática empujando la varilla hacia adentro. Consulte la Figura 1.

Instalación del Asiento del Operador (si fuese necesario)

Para instalar el asiento, proceda de la siguiente manera:

NOTA: El asiento es enviado con el interruptor de asiento y bandeja de asiento acoplados.

1. Corte cualquier tira que sujete el conjunto del asiento al tractor. Quite cualquier material de empaque.

NOTA: Tenga cuidado de no cortar accidentalmente el mazo de cables que conecta el asiento al interruptor de asiento.

2. Quite los dos tornillos con reborde (a) y las tuercas de seguridad con brida (b) de la bandeja del asiento tal como se muestra en la Figura 2.

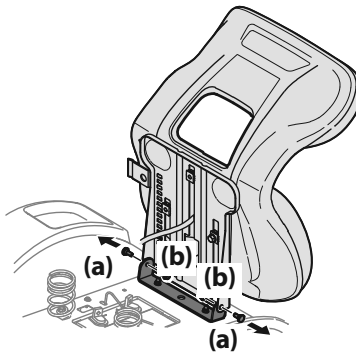


Figura 2

3. Gire el asiento en su posición y deslice un destornillador Phillips por uno de los orificios de fijación del asiento y soporte del asiento para alinearlos.

4. Luego, con los tornillos con reborde (a) y las tuercas de seguridad con brida (b) previamente quitados, asegure un lado del asiento y soporte del asiento. Mientras sostiene el asiento, quite el destornillador Phillips y asegure el otro lado del asiento. Tenga cuidado de no doblar o dañar el mazo de cables mientras instala el asiento. Consulte la Figura 3. Ajuste hasta 84-103 pulgadas-libras (9.5-11.6 N-m).

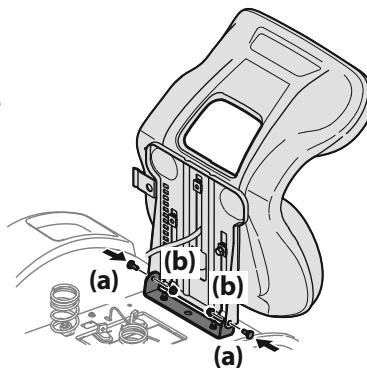


Figura 3

5. Usando la traba del mazo unida al mazo, asegure el exceso de cable al guardabarros colocando la traba del mazo en su lugar como se muestra en la Figura 4.

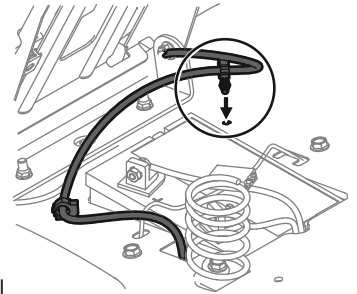


Figura 4

Instalación del Collarín de Capó (si fuese necesario)

Hay tres (3) clavijas de alineación (a) sobre el collarín de capó (b) que se alinean con los correspondientes orificios de alineación (c) del capó (d). Consulte la Figura 5

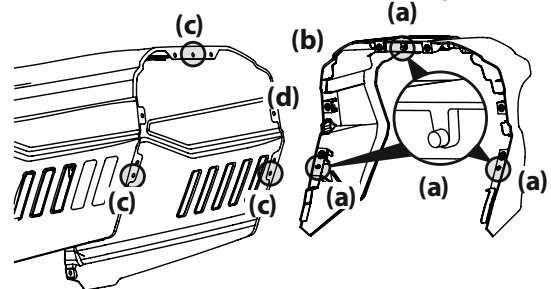


Figura 5

Para posicionar correctamente el collarín de capó (a) use estos puntos de alineación, luego asegúrelo en su lugar con los seis pernos hexagonales (b) que vienen en la bolsa de elementos de ferretería. Consulte la Figura 8. Ajuste los pernos hexagonales hasta 102-124 pulgadas-libras (11.5-14 N-m). Consulte la Figura 6.

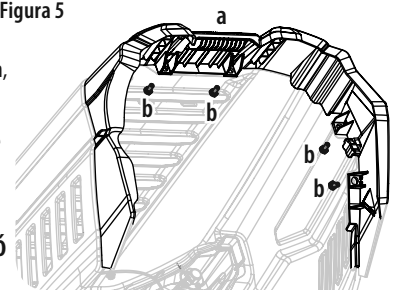


Figura 6

Instalación de la Tapa del Capó a Presión (si fuese necesario)

1. Para instalar la tapa del capó a presión (a), alinee los orificios de la tapa del capó (a) con las lengüetas (b) del bastidor del capó como se muestra en la Figura 7.
2. Inserte las lengüetas (b) en la tapa del capó y tire hacia atrás para trabar en su lugar.

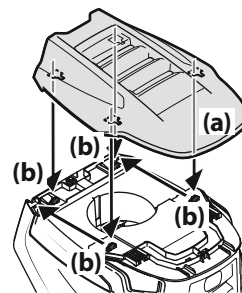
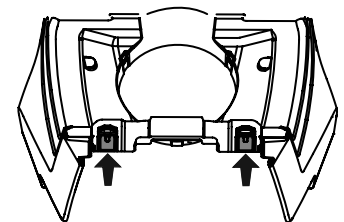


Figura 7



La Tapa del Capó no se muestra para mayor claridad

Figura 8

3. Una vez que la tapa del capó está en su lugar, las dos lengüetas de traba que están cerca del capó deben ser tiradas hacia arriba para trabar la tapa del capó en su lugar. Consulte la Figura 8.

Instalación de la Tapa del Capó Atornillada (si fuese necesario)

Nota: Tenga cuidado de no dañar el arnés de faros delanteros cuando instale la tapa del capó atornillada.

1. Coloque la tapa del capó contra la parte superior del capó con el capó abierto, y alinee los orificios que están en el capó.

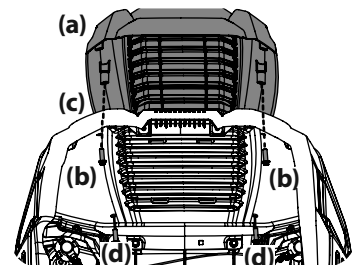


Figura 9

MONTAJE

2. Asegure la tapa del capó atornillada (a) desde abajo, ajuste a mano los tornillos (b) que están en la mitad trasera del capó y luego apriete los tornillos con firmeza. Consulte la Figura 9.
3. Con los tornillos traseros en su lugar, alinee los orificios de la tapa del capó (a) con los orificios del capó (c) y fije en su lugar con los restantes dos tornillos (d). Consulte la Figura 9.
4. Ajuste los cuatro tornillos hasta 16-24 pulgadas-libras (1.8-2.7 N-m).

Instalación del Pleno (si fuese necesario)

Nota: Tenga cuidado de no dañar el arnés de faros delanteros cuando instale el pleno.

Para instalar el pleno (a) en el capó (b):

1. Inserte las lengüetas traseras (c) como se muestra en la Figura 10.
2. Con las lengüetas traseras instaladas, inserte las lengüetas delanteras (a) en el pleno (b) como se muestra en la Figura 11.

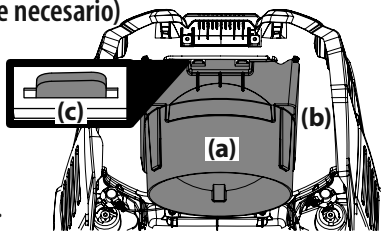


Figura 10

Nota: Las lengüetas traseras encajan en cavidades que se encuentra en la parte superior del capó. Se deslizan hacia arriba desde abajo del capó y entran en estas cavidades.

Presione sobre la base del pleno para asegurar que esté firme en su lugar.

Asegure el arnés de faros delanteros (a) en las dos guías (b) del frente del pleno. Figura 12.

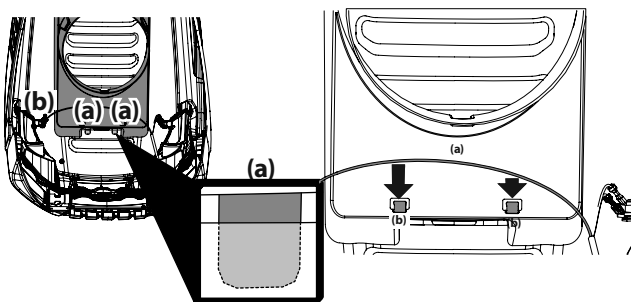


Figura 11

Figura 12

Instalación de la Cubierta del Tablero (si fuese necesario)

Para instalar la cubierta del tablero (a), alinee las lengüetas (b) de la cubierta del tablero (c) con los orificios del tablero superior como se muestra en la Figura 13. Coloque las lengüetas (b) en los orificios del tablero superior y empuje hacia adelante sobre la cubierta del tablero para trabarla en su lugar.

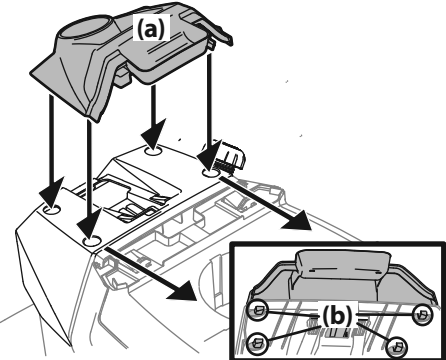


Figura 13

Nota: Asegúrese de oprimir sobre la parte inferior de la tapa del tablero (a) frente a la posición del operador para asegurar que las lengüetas inferiores de la tapa del tablero están en su lugar.

Instalación del Volante (si fuese necesario)

Los elementos de ferretería utilizados para instalar el volante han sido empaquetados dentro del volante, por debajo de la tapa del volante. Levante la tapa del volante con cuidado y quite los elementos de ferretería.

¡IMPORTANTE! No utilice herramientas de impacto para instalar o extraer el volante. Si lo hace, puede dar un torque en exceso y dañar la sujeción.

1. Con las ruedas del tractor apuntando recto hacia adelante, alinee el volante (a) usando la línea central (b) de la parte delantera del volante (a) que apunta hacia adelante y la sección plana (c) del volante (a) orientada hacia el asiento, coloque el volante (a) sobre el árbol de la dirección (d). Consulte la Figura 14.

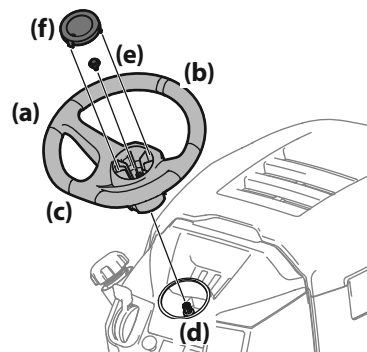


Figura 14

2. Asegure el volante (a) con el perno hexagonal (e) desde debajo de la tapa del volante (f) y ajuste hasta 18-22 pies-libras (24.4-29.8 N-m).
3. Coloque la tapa del volante (f) sobre el centro del volante (a) y empuje hacia abajo hasta que haga clic al calzar en su lugar.

Nota: el perno hexagonal (e) que asegura el volante (a) tiene sellador de rosca; de modo que si se lo extrae, se recomienda reemplazar el perno hexagonal (a) o volver a aplicarle sellador de rosca.

Instalación del Paragolpes Delantero (si se incluye)

⚠ ADVERTENCIA

Desactive la PTO, active el bloqueo de freno y detenga el motor del tractor antes de realizar cualquier procedimiento de preparación. Coloque el tractor sobre una superficie firme y nivelada antes de comenzar los procedimientos de instalación o extracción.

El sistema de escape y las áreas que lo rodean están CALIENTES. Para evitar lesiones personales, deje que el tractor se enfríe antes de comenzar cualquier procedimiento de instalación o extracción de la protección del cepillo.

Los elementos de ferretería para fijar el paragolpes delantero se despachan instalados en el paragolpes.

1. Saque los cuatro tornillos hexagonales (a) del paragolpes (b).
2. Coloque los soportes del paragolpes hacia el interior del bastidor del tractor y fíjelos en su lugar con los cuatro tornillos hexagonales con reborde (a). Consulte la Figura 15.

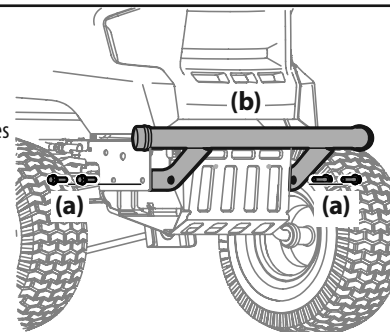


Figura 15

Instalación de la Protección del Cepillo FastAttach™ (si se incluye)

1. Alinee el conjunto de la protección del cepillo con los soportes FastAttach™ y empuje todo el conjunto. Consulte la Figura 16.

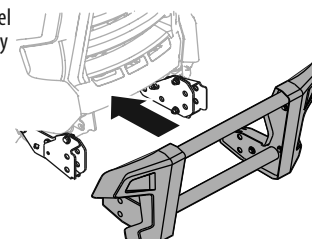


Figura 16

MONTAJE

2. Instale los pasadores en el lado derecho e izquierdo de la protección del cepillo y, luego, asegúrelos con dos pasadores de chaveta que se incluyen en el paquete de elementos de ferretería. Consulte la Figura 17.

Nota: Si hala levemente de la protección del cepillo levemente hacia arriba, esto puede facilitar la instalación de los pasadores.

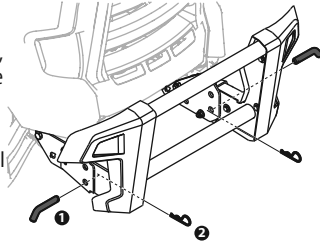


Figura 17

Baje el Deflector del Canal de Descarga de la Plataforma

⚠ ADVERTENCIA

Nunca opere la plataforma de corte sin el deflector del canal instalado y en posición baja.

Modelos con Plataforma de 46"

1. Retire las chavetas que están sujetas con una unión con cierre al soporte del canal.
2. Retire la tuerca de seguridad con brida y el tornillo hexagonal de la plataforma.
3. Ubique el deflector del canal en la plataforma, asegúrese de insertar las lengüetas de dicho deflector en los orificios de la plataforma. Consulte la Figura 18.
4. Deslice el deflector del canal hacia la parte posterior del tractor hasta que el orificio del perno que está en el deflector del canal quede alineado con el orificio de la plataforma. Consulte la Figura 18.
5. Sujete el deflector del canal en su lugar con la tuerca de seguridad con brida y el tornillo hexagonal que se extrajeron en el paso dos. Ajuste hasta 102-124 pulgadas-libras (11.5-14 N-m). Consulte la Figura 9. Pase a "Ajuste de las Ruedas de la Plataforma".

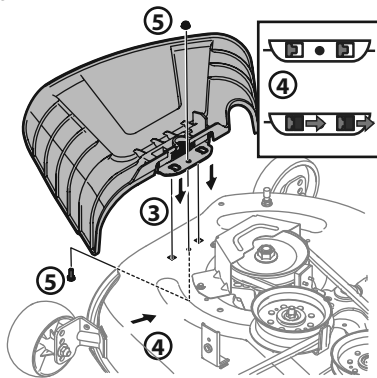


Figura 18

Modelos con Plataformas de 42"/50"/54"

1. Inspeccione la plataforma del tractor para ver si hay una traba de seguridad que pueda estar sujetando el deflector del canal hacia arriba para el envío. Si la traba está presente, se la debe extraer antes de hacer funcionar el tractor. Sosteniendo el deflector del canal totalmente hacia arriba, extraiga la traba de seguridad. Baje el deflector del canal y descarte la traba de seguridad. Consulte la Figura 19.

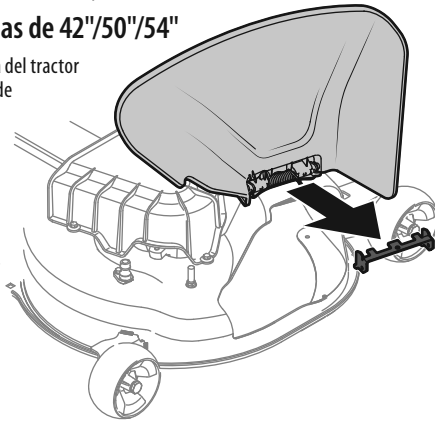


Figura 19

Ajuste de las Ruedas de la Plataforma

Nota: Las ruedas de la plataforma constituyen un mecanismo para el cuidado del césped y no fueron diseñadas para soportar el peso de la plataforma de corte.

1. Mueva el tractor a una superficie nivelada, preferentemente pavimentada.
2. Controle la presión de los neumáticos, ajuste si es necesario. Consulte los laterales de los neumáticos para averiguar la presión de inflado adecuada.
3. Asegúrese de que la plataforma esté nivelada de un lado a otro, y adecuadamente inclinada. Consulte en la sección Mantenimiento y Ajustes la información y las instrucciones para nivelar la plataforma.

4. Coloque la palanca de elevación de la plataforma en la posición de altura de corte deseada.
5. Controle si las ruedas están en contacto con la superficie de abajo o si hay una separación excesiva.

Nota: las ruedas de la plataforma deben tener entre 1/4"-1/2" (6.35-12.7 mm) de separación del suelo. Proceda como se indica a continuación para ajustar las ruedas:

- a. Levante el tirador de elevación de la plataforma hasta el punto más alto.
- b. Retire las ruedas delanteras (a) y traseras (b) de la plataforma retirando las tuercas de seguridad con brida (c) y los tornillos con reborde (d) que los sujetan a la plataforma. Consulte la Figura 20.
- c. Coloque la palanca de elevación de la plataforma en el ajuste de altura de corte deseado.
- d. Vuelva a insertar los tornillos con reborde (con cada rueda de la plataforma) dentro del orificio de posicionamiento que deja aproximadamente 1/2 pulgada (13 mm) entre la parte inferior de la rueda y el pavimento. Apriete la tuerca de seguridad con brida y el tornillo con reborde hasta lograr entre 25 a 30 libras-pie (34-40 N-m) con una llave de torsión.

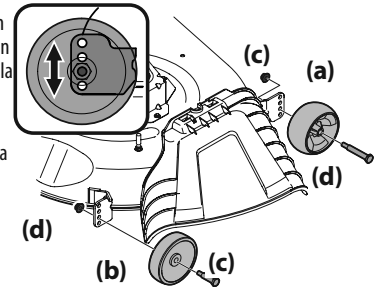


Figura 20

Nota: Consulte Ajuste de la Plataforma en la sección Servicio y Mantenimiento de este manual para obtener instrucciones más detalladas sobre diferentes ajustes de la plataforma.

Información sobre la Batería

⚠ ADVERTENCIA

Advertencia de la Proposición 65 de California: Los terminales y contactos de la batería, y los accesorios afines contienen plomo y compuestos de plomo, sustancias químicas que el Estado de California considera que pueden producir cáncer y daños en el sistema reproductivo. Lávese las manos después de estar en contacto con estos componentes.

⚠ ADVERTENCIA

En caso de que se produzca una salpicadura accidental de ácido en los ojos o la piel, enjuague el área afectada inmediatamente con agua limpia fría. Consulte a un médico inmediatamente.

Si el ácido salpica la ropa, en primer lugar dilúyalo con agua limpia, luego neutralícelo con una solución de agua/amoniaco o bicarbonato/agua.

NUNCA conecte (o desconecte) las abrazaderas del cargador de la batería a la batería si el cargador está encendido, ya que puede causar chispas.

Mantenga todas las fuentes de combustión (cigarrillos, cerillas, encendedores) alejadas de la batería. El gas generado durante la carga puede ser combustible.

Como precaución adicional, cargue la batería únicamente en un área bien ventilada.

Siempre proteja sus ojos y su piel y vestimenta cuando trabaje cerca de baterías.

Las baterías contienen ácido sulfúrico y pueden producir gases explosivos. Tenga sumo cuidado cuando manipule baterías. Mantenga las baterías lejos del alcance de los niños.

⚠ PRECAUCIÓN

Cuando coloque los cables de la batería, conecte siempre primero el cable POSITIVO (rojo) a su terminal, y a continuación el cable NEGATIVO (negro).

Nota: El terminal positivo de la batería está marcado como Pos. (+). El terminal negativo de la batería está marcado como Neg. (-).

MONTAJE

Conexión de los Cables de la Batería

⚠ ADVERTENCIA

Siempre conecte el conductor positivo a la batería antes de conectar el conductor negativo. Esto evita la generación de chispas o posibles lesiones producidas por un cortocircuito eléctrico causado por el contacto del cuerpo del tractor con las herramientas que se usan para conectar los cables.

Por razones relacionadas con el embarque, la fábrica puede dejar los dos cables de la batería desconectados de los terminales. Para conectar los cables de la batería, proceda de la siguiente manera:

1. Retire la cubierta plástica, si está presente, del cable positivo de la batería. Conecte el cable rojo al terminal positivo de la batería (+) utilizando el perno (a) y la tuerca hexagonal (b). Consulte la Figura 21.
2. Retire la cubierta plástica, si está presente, del terminal negativo de la batería y conecte el cable negro al terminal negativo de la batería (-) utilizando el perno (a) y la tuerca hexagonal (b). Consulte la Figura 21.
3. Coloque el capuchón de goma rojo (c) sobre el terminal positivo de la batería para protegerlo contra la corrosión.

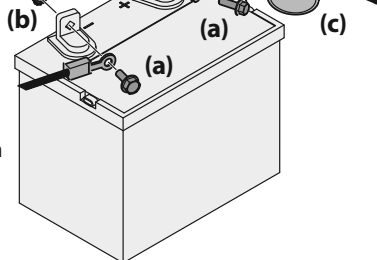


Figura 21

NOTA: Si la batería se pone en funcionamiento después de la fecha indicada en su parte superior o al costado de la misma, cárguela siguiendo las instrucciones de la sección Servicio y Mantenimiento de este manual antes de operar el tractor.

Mantenimiento de la Batería

- La batería se llena con ácido de batería y se sella en fábrica. Sin embargo, para asegurar un ciclo de vida adecuado es necesario realizar cierto mantenimiento, aún en las baterías 'sin mantenimiento'.
- Rocíe los terminales y el cable expuesto con un sellador de terminales de batería, o recubra los terminales con una capa delgada de grasa o vaselina para protegerlos contra la corrosión.
- Siempre mantenga limpios y libres de corrosión los cables y los terminales de la batería.
- Evite inclinar la batería. Hasta una batería sellada pierde electrolito si se la inclina.

Almacenamiento de la Batería

- Cuando el tractor se guarda durante períodos prolongados, desconecte el cable negativo de la batería. No es necesario retirar la batería.
- Todas las baterías se descargan durante el almacenamiento. Mantenga el exterior de la batería limpio, especialmente la parte superior. Una batería sucia se descarga con mayor rapidez.
- La batería debe guardarse con carga completa. Una batería descargada se puede congelar más pronto que una batería cargada. Una batería con carga completa se guarda por más tiempo en temperaturas frías que en temperaturas altas.
- Vuelva a cargar la batería antes de volver a ponerla en servicio. Aun cuando el tractor pueda arrancar, el sistema de carga del motor tal vez no recargue totalmente la batería.

Retiro de la Batería

⚠ ADVERTENCIA

Los bornes, terminales y accesorios de la batería contienen plomo y compuestos de plomo. Lávese las manos después de estar en contacto con estos componentes.

La batería está ubicada debajo del bastidor del asiento. Para retirar la batería:

1. Extraiga el soporte de sujeción de la batería empujando el extremo de acoplamiento hacia afuera de la lengüeta de la tapa de protección que está a la derecha de la batería. Luego levante el soporte de sujeción de la batería para liberar la batería. Consulte la Figura 22.
2. Retire el tornillo de cabeza hexagonal y la tuerca Sems que fijan el conductor negativo negro de la batería al borne negativo de la batería (marcado 'NEG'). Aleje el cable del borne negativo de la batería.

3. Retire el tornillo de cabeza hexagonal y la tuerca Sems que fijan el conductor positivo rojo de la batería al borne positivo de la batería (marcado 'POS').
4. Levante con cuidado la batería para sacarla del tractor.
5. Instale la batería repitiendo los pasos anteriores en orden inverso.

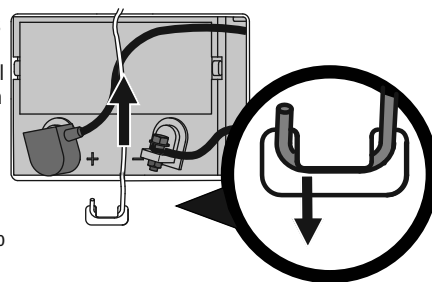


Figura 22

Carga de la Batería

Si el tractor ha estado guardado durante un tiempo, pruebe la batería y, si es necesario, recárguela.

- Un voltímetro o medidor de carga debería dar una lectura de 12.6 voltios (CC) o más en todos los terminales de la batería. Consulte la Figura 23.

Lectura del voltímetro	Estado de la carga	Tiempo de carga
12,7	100%	Carga completa
12.4	75%	90 min.
12.2	50%	180 min.
12.0	25%	280 min.

- Cargue la batería con un cargador de batería de 12 voltios a un MÁXIMO de 10 amperios.

Figure 23

Ajuste del Asiento

Para ajustar la posición del asiento, levante la palanca de ajuste del asiento. Deslice el asiento hacia adelante o hacia atrás hasta la posición deseada; luego suelte la palanca de ajuste. Asegúrese de que el asiento esté fijo en su posición antes de operar el tractor. Consulte la Figura 24.

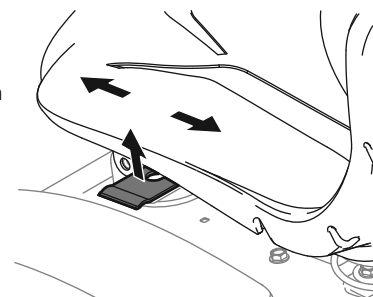


Figura 24

Aceite

NOTA: Su tractor se despacha con aceite en el motor. Sin embargo, usted DEBE controlar el nivel de aceite antes de hacerlo funcionar. Consulte en el manual del motor las instrucciones para controlar, agregar o cambiar el aceite.

⚠ PRECAUCIÓN

Controle siempre el nivel de aceite del motor antes de cada uso según se indica en el manual de funcionamiento del motor. Agregue aceite según sea necesario. De no hacerlo se pueden producir daños graves al motor.

FUNCIONAMIENTO

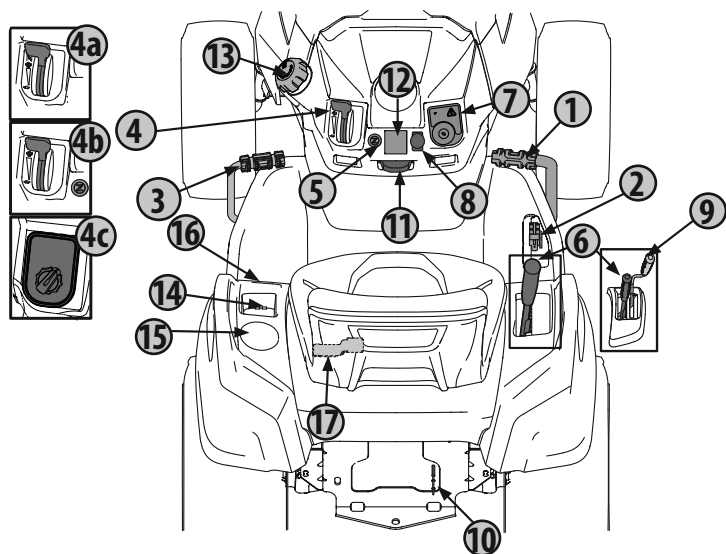


Figura 26

Nota: Este Manual del Operador corresponde a varios modelos. Las características del tractor pueden variar según los modelos. No todas las características que se incluyen en este manual se aplican a todos los modelos de tractor y la máquina que se ilustra aquí puede diferir de la suya.

Nota: Las referencias a IZQUIERDA, DERECHA, ADELANTE Y ATRÁS indican esa posición desde el asiento del operador en el tractor, mirando hacia adelante.

1 Pedal de Marcha Adelante

Presione el pedal de marcha adelante hacia adelante para que el tractor se mueva en esa dirección. Cuanto más se presione el pedal, más rápido se moverá el tractor. El pedal volverá a su posición original/neutral cuando no esté presionado.

2 Pedal de Marcha Atrás

Presione el pedal de control de marcha atrás para que el tractor se desplace en esa dirección. Cuanto más se presione el pedal, más rápido se moverá el tractor. El pedal volverá a su posición original/neutral cuando no esté presionado.

3 Pedal de Freno

Presione el pedal de freno mientras el tractor está en uso para detener el tractor y para aplicar el freno de mano.

Nota: el pedal de freno debe estar totalmente presionado para encender el motor. Consulte más información en el Sistema de Enclavamiento de Seguridad.

4 Palanca de control del acelerador/cebador o control del acelerador o control electrónico del regulador

4a Palanca de Control del Acelerador/Cebador (si se incluye)

Empuje la palanca de control del acelerador/cebador hacia adelante para aumentar la velocidad del motor. El tractor está diseñado para que funcione con la palanca de control del acelerador/cebador en aceleración máxima FAST (rápido) cuando se conduce el tractor y se engancha la plataforma de la cortadora de césped. Tire de la palanca de control del acelerador/cebador hacia atrás para reducir la velocidad del motor. Cuando arranque el motor, empuje la palanca de control totalmente hacia adelante a la posición "CHOKE" (cebador). Después de arrancar y calentar el motor, mueva la palanca de control hacia atrás hasta que sienta que pasa el bloqueador del cebador. El objetivo del acelerador no es controlar la velocidad de la unidad, sino que debe permanecer a alta velocidad mientras se operan las cuchillas.

4b Control del Acelerador (si se incluye)

Empuje la palanca de control del acelerador hacia adelante para aumentar la velocidad del motor. El tractor está diseñado para que funcione con la palanca de control del acelerador en aceleración máxima FAST (rápido) cuando se conduce el tractor y se engancha la plataforma del tractor. Tire de la palanca de control del acelerador hacia atrás para reducir la velocidad del motor.

4c Control Electrónico del Regulador (si se incluye)

Cuando se lo coloca en determinada posición, se mantiene una velocidad de motor uniforme.

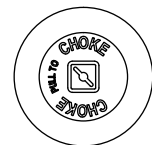
El control electrónico del regulador tiene diversas entradas para mantener la velocidad del motor. Use la configuración "CUT" (Cortar) para tener un óptimo desempeño de corte en condiciones de corte normal. Use la configuración "POWER CUT" (Corte de potencia) para tener un óptimo desempeño en condiciones de corte pesado.

Nota: Si el tractor viene con un Control Electrónico del Regulador, se lo puede encender a cualquier valor de velocidad del cuadrante y automáticamente lo ajustará en el valor deseado de velocidad de motor.

Nota: Al motor le podría llevar algunos segundos ajustar el valor a la velocidad de motor correcta. Esto es normal.

5 Control del Cebador (si se incluye)

El control del cebador determina la posición del cebador del motor. Tire de la perilla hacia afuera para cebar el motor; empuje la perilla hacia adentro para abrir el cebador. Si se incluyera, el control del cebador vendrá acompañado de un Control del acelerador (4b). Al estar tirado hacia afuera, el control del cebador cierra el cebador para un encendido en frío. Una vez encendido, siempre haga funcionar el motor con el control del cebador empujado bien hacia adentro.



6 Palanca de Elevación de la Plataforma

La palanca de elevación de la plataforma se usa para subir o bajar la plataforma. Tire de la palanca hacia la izquierda para sacarla de la muesca de posicionamiento y empuje hacia abajo para bajar la plataforma o hacia arriba para subirla. Cuando se alcance la altura deseada, mueva la palanca de elevación a la derecha hasta que quede bien enganchada en la muesca de posicionamiento.

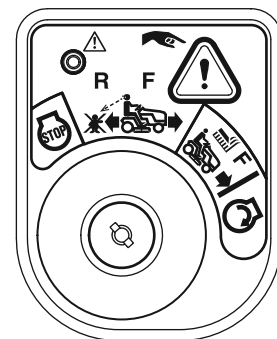
7 Interruptor de Encendido

Arranque con Llave

ADVERTENCIA

Nunca deje un tractor en funcionamiento sin vigilancia. Siempre desconecte la PTO, ponga el freno de mano, pare el motor y retire la llave, para evitar que el motor arranque accidentalmente.

Consulte información sobre cómo arrancar el motor en la sección Arranque del Motor. Consulte instrucciones sobre cómo detener el motor en la sección Detención del Motor.



ADVERTENCIA

Antes de operar el tractor, consulte los títulos Sistema de Enclavamiento de Seguridad y Arranque del Motor en la sección de Funcionamiento de este manual para ver instrucciones detalladas sobre el Módulo Interruptor de Encendido y el funcionamiento del tractor en el MODO PRECAUCIÓN MARCHA ATRÁS.

FUNCIONAMIENTO

PBS (arranque con botón pulsador)/Avisador de Servicio y Medidor Horario (si se incluye)

⚠ ADVERTENCIA

Nunca deje un tractor en funcionamiento sin vigilancia. Siempre desconecte PTO, ponga el freno de mano, pare el motor y retire la llave.

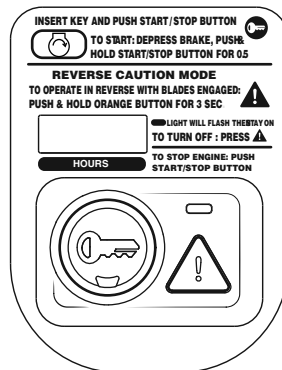
Nota: Si se presiona el botón MODO PRECAUCIÓN MARCHA ATRÁS durante el encendido, se interrumpe la secuencia de encendido, y es necesario volver a iniciarla.

Para detener el motor, presione o extraiga la llave de encendido.

Cuando se inserta y se oprime la llave de encendido durante menos de 1.5 segundos, el LCD avisador de servicio y medidor horario mostrará brevemente la tensión de la batería, seguido de las horas acumuladas del tractor.

Nota: Las horas de funcionamiento del tractor se registran solamente cuando el motor está funcionando.

El LCD avisador de servicio le recuerda al operador los intervalos de mantenimiento para el cambio del aceite del motor, el servicio del filtro de aire, y emite advertencias de bajo nivel de aceite del motor y nivel alto o bajo de la batería.



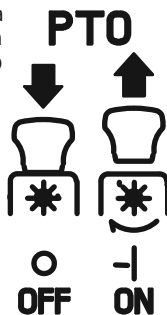
⑧ Interruptor de Toma de Fuerza (PTO) (enganche de cuchillas) (PTO eléctrica) (si se incluye)

El interruptor PTO (enganche de cuchillas) hace funcionar el embrague de la PTO eléctrica que está montado en la base del cigüeñal del motor. Tire de la perilla del interruptor hacia arriba para enganchar el embrague de la PTO, o empuje la perilla hacia adentro para desactivar el embrague.

Al arrancar el motor, el interruptor PTO (enganche de cuchillas) debe estar en posición "OFF" (Desactivado). Consulte información e instrucciones sobre cómo usar la PTO en la sección Activación de la PTO (PTO eléctrica).

⑨ Palanca de PTO (enganche de cuchillas) (PTO manual)

Al activar la palanca PTO (enganche de cuchillas), se transmite energía a la plataforma de corte o a otros accesorios (disponibles por separado). Consulte información e instrucciones sobre cómo usar la PTO en la sección Activación de la PTO (PTO manual).



⑩ Varilla de Derivación de la Transmisión

Cuando se engancha, la varilla abre una derivación dentro de la transmisión hidrostática, lo cual permite empujar el tractor a mano distancias cortas. Consulte en la sección Montaje las instrucciones para el uso de la función de derivación.

⚠ PRECAUCIÓN

Nunca remolque su tractor. Si se remolca el tractor con las ruedas traseras apoyadas en el suelo se pueden causar daños graves a las transmisiones.

⑪ Palanca del Freno de Mano/Control de Crucero

La palanca del freno de mano/control de crucero se usa para activar el freno de mano y el control de crucero. Consulte la sección Conducción del Tractor de este manual para ver instrucciones detalladas sobre el freno de mano.



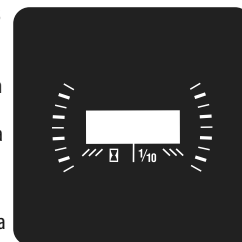
Nota: Si el operador abandona el asiento y deja el motor funcionando, deberá colocar el freno de mano, o el motor se apagará de forma automática.

Nota: El control de crucero NO podrá activarse a la velocidad absoluta más rápida del tractor.

⑫ Medidor Horario

LCD Avisador de Servicio y Medidor Horario (si se incluye)

El LCD avisador de servicio le recuerda al operador los intervalos de mantenimiento para el cambio del aceite del motor, el servicio del filtro de aire, y emite advertencias de bajo nivel de aceite y poca batería. Cuando al llave se rota fuera de la posición STOP pero no está en la posición START, el LCD avisador de servicio y medidor horario mostrará brevemente la tensión de la batería, seguido de las horas acumuladas del tractor.



Nota: Cuando la llave de encendido está fuera de la posición STOP, el símbolo del reloj de arena se iluminará/parpadeará para indicar que está registrando las horas de funcionamiento del tractor, al margen de que se haya encendido o no el motor.

Cambiar Aceite

La pantalla LCD alternará las letras "CHG" (cambiar), seguidas de las letras "OIL" (aceite), seguidas de las letras "SOON" (pronto), y luego finalmente seguidas por el tiempo acumulado del medidor. "CHG/OIL/SOON/TIME" se alternarán en la pantalla durante 7 minutos después de que el medidor llegue a 50 horas. Este intervalo del avisador de servicio de aceite se producirá cada 50 horas. Antes de que finalice el intervalo, cambie el aceite del motor según se indica en este Manual del Operador del Motor

Baja Presión de Aceite

Nota: La función de baja presión de aceite solo funciona si el motor tiene un interruptor de presión de aceite.

En la pantalla LCD aparecen alternadas las letras "LO" (nivel baja presión) seguidas de las letras "OIL" (aceite), seguidas luego del tiempo acumulado del medido, lo que indica que el motor tiene baja presión de aceite. Esto es común se enciende un motor. El indicador permanecerá activo hasta que el motor acumule presión después de encenderse. Si el indicador permanece encendido cuando el motor está a máxima velocidad y después de que hayan transcurrido unos pocos minutos de funcionamiento, detenga el tractor de inmediato, controle el nivel de aceite del motor y agregue aceite según las instrucciones del Manual del Operador del Motor. Si el nivel de aceite es correcto y el indicador sigue encendido, comuníquese con un distribuidor de servicio autorizado.

Nivel Bajo de Batería

Al arrancar, se visualiza fugazmente la tensión de la batería y luego cambia a horas acumuladas. Aparecen las letras "LO" (nivel bajo), seguidas de las letras "BATT" (batería), seguidas luego del tiempo acumulado del medidor. "LO/BATT/TIME" se muestra en la pantalla LCD cuando la tensión cae por debajo de 11.5 voltios. Cuando esto ocurre, significa que se debe cargar la batería o que el sistema de carga del motor no genera suficiente amperaje. Cargue la batería como se indica en la sección Cuidado del Producto de este manual o haga controlar el sistema de carga por su distribuidor de servicio local.

Servicio del Filtro de Aire

En la pantalla LCD aparecen las letras "CLN" (limpiar), seguidas de las letras "AIR" (aire), seguidas por "FILT" (filtro), seguidas luego del tiempo acumulado del medidor. "CLN/AIR/FILT/TIME" se alternarán en la pantalla durante 7 minutos después de que el medidor llegue a 25 horas. Este intervalo del avisador de servicio del filtro de aire será cada 25 horas. En intervalos que son comunes con el servicio del aceite, aparece el mensaje del aceite primero seguido por el mensaje del filtro de aire.

⑬ Tapón del Depósito de Combustible

Gire el tapón del depósito de combustible al menos dos clics en el sentido contrario a las agujas del reloj y tire hacia arriba para extraerlo. El tapón está amarrado al depósito de combustible para impedir que se pierda. No intente retirar el tapón del depósito de combustible. Llene el depósito hasta 1/2" (12.7 mm) por debajo de la base del cuello de llenado para dejar un poco de espacio en el depósito para la expansión del combustible. No llene en exceso el depósito de combustible. El depósito de combustible posee una capacidad de aproximadamente 3 galones (11.35 L) de gasolina.

FUNCIONAMIENTO

Empuje el tapón hacia abajo sobre el cuello de llenado del depósito de combustible y gírelo en el sentido de las agujas del reloj al menos dos clic para ajustarlo. Siempre vuelva a colocar el tapón firmemente en el depósito de combustible antes de extraerlo.

ADVERTENCIA

Nunca llene el depósito de combustible si el motor está en funcionamiento. Si el motor está caliente por haber funcionado hasta hace poco, déjelo enfriar al menos cinco minutos antes de volver a cargar combustible. La gasolina es muy inflamable y podría salpicar el motor y causar un incendio.

14 Bandeja de Almacenamiento

La bandeja de almacenamiento está ubicada a la izquierda del asiento del operador.

15 Portavasos

El portavasos está ubicado a la izquierda del asiento del operador.

16 Pedal de Bloqueo del Diferencial (si se incluye)

La activación del bloqueo del diferencial aumenta la tracción al mantener la misma velocidad de ruedas en las ruedas traseras. Consulte la sección Bloqueo del Diferencial para obtener más información sobre el uso del bloqueo del diferencial.

17 Palanca de Ajuste del Asiento

La palanca de ajuste del asiento permite el ajuste del asiento del operador hacia adelante o hacia atrás. Consulte la sección Montaje para ver instrucciones sobre cómo ajustar la posición del asiento.

Faros (no se muestran)

En los tractores de encendido con llave, las luces se ENCIENDEN cada vez que se saca la llave de ignición de la posición STOP (detención). Las luces se apagan (OFF) cuando se coloca la llave de encendido en la posición STOP.

En los tractores con PBS, las luces están ENCENDIDAS cada vez que se enciende el módulo PBS. Los faros pueden activarse durante 15 segundos sin estar en el asiento presionando una vez la llave de encendido. Para mantener los faros activos usted se puede sentar en el asiento o bien encender/hacer funcionar el motor.

Funcionamiento

Antes de hacer funcionar el tractor

- Antes de la operación, consulte la tabla del Programa de Mantenimiento que aparece en este manual para los servicios programados habitualmente.
- Se certifica que este motor funciona únicamente con gasolina normal sin plomo, nueva y limpia. Llene únicamente con gasolina sin plomo, nueva y limpia, en un surtidor que indique un octanaje igual a 87 o más.
- No use gasolina que haya quedado de la temporada anterior, para minimizar la formación de depósitos de goma en el sistema de combustible.
- El gasohol (hasta 10% de alcohol etílico, 90% de gasolina sin plomo por volumen) es un combustible aprobado. No se aprueba el uso de otras mezclas de gasolina/alcohol.
- El éter metílico terciario-butílico (MTBE) y las mezclas de gasolina sin plomo (hasta un máximo de 15% de MTBE por volumen) son combustibles aprobados. No se aprueba el uso de otras mezclas de gasolina/éter.

Sistema de Enclavamiento de Seguridad

ADVERTENCIA

No opere el tractor si el sistema de enclavamiento de seguridad funciona mal. Este sistema fue diseñado para brindarle seguridad y protección.

Este tractor está equipado con un sistema de enclavamiento de seguridad para protección del operador. Si el sistema de enclavamiento funciona mal, no se debe hacer funcionar el tractor. Comuníquese con un distribuidor de servicio autorizado.

- El sistema de enclavamiento de seguridad impide que el motor arranque o se encienda a menos que esté colocado el freno de mano, o que el operador esté en el asiento y el pedal de freno esté totalmente presionado, con el interruptor PTO (enganche de cuchillas) o la palanca PTO (enganche de cuchillas) en la posición desacoplada (OFF).
- Si el operador abandona su asiento antes de colocar el freno de mano, el motor se apagará automáticamente.

- El motor se apagará automáticamente si el operador abandona el asiento del tractor con el interruptor PTO (enganche de cuchillas) o la palanca PTO (enganche de cuchillas) en la posición ACOPLADA (ON), independientemente de si el freno de mano está puesto o no.
- Con la llave de encendido en la posición de CORTE NORMAL, el embrague de la PTO (enganche de cuchillas) eléctrica se desconectará automáticamente si el interruptor PTO (enganche de cuchillas) o la palanca PTO (enganche de cuchillas) se coloca en posición ACOPLADA (ON) con el pedal de transmisión en marcha atrás.

Control de los Circuitos del Enclavamiento de Seguridad

Controle periódicamente los circuitos del enclavamiento de seguridad para estar seguro de que funcionan adecuadamente. Si algún circuito de seguridad no funciona según el diseño, póngase en contacto con el distribuidor de servicio autorizado para que inspeccione el tractor. NO use el tractor si algún circuito de seguridad no está funcionando adecuadamente. Para controlar los circuitos de seguridad proceda de la siguiente manera:

1. Con el motor apagado y sentado en el asiento, coloque el control de PTO (interruptor PTO o palanca PTO) en la posición ACOPLADA (ON). Gire el interruptor de encendido a la posición START (arranque) momentáneamente; el motor no debería intentar arrancar.
2. Con el tractor en marcha, y el freno de mano no aplicado, levante hacia arriba desde el asiento del operador. El motor debería detenerse.
3. Con el freno de mano activado, encienda la PTO. Levante hacia arriba desde el asiento del operador; el motor debería detenerse.

Arranque del Motor

PRECAUCIÓN

El operador debe estar sentado en el asiento del tractor al arrancar el motor.

Continúe con la sección de abajo para encendidos con llave, salte a la sección Encendido con PBS para encendidos con botón pulsador.

Encendido con Llave con Control de Acelerador y Cebador Separado

1. Inserte la llave de encendido en el interruptor de encendido.
2. Coloque el interruptor PTO (enganche de cuchillas) o la palanca PTO (enganche de cuchillas) en la posición OFF.
3. Ponga el freno de mano del tractor.
4. Active el control del cebador (si se incluye).
Nota: Si el motor está caliente, tal vez no sea necesario cebar el motor.
5. Mueva la palanca de control del acelerador a distancia media entre las posiciones de velocidad RÁPIDA y LENTA.
Nota: Cuando haga funcionar el tractor asegúrese de que la palanca del acelerador esté siempre en la posición FAST (rápida).
6. Gire la llave de encendido en el sentido de las agujas del reloj hasta la posición START (encendido). Una vez que arranque el motor, suelte la llave. Volverá a la posición de NORMAL MOWING (corte normal).

PRECAUCIÓN

NO mantenga la llave en la posición START (arranque) durante más de diez segundos por vez. Si lo hace, puede ocasionar daños al arrancador eléctrico del motor.

8. A medida que el motor se calienta, desactive el control del cebador. No utilice el cebador para enriquecer la mezcla de combustible, excepto cuando sea necesario para arrancar el motor.
9. Deje que el motor funcione unos cuantos minutos a una aceleración intermedia antes de someterlo a carga.
Nota: Cuando haga funcionar el tractor asegúrese de que la palanca del acelerador esté siempre en la posición FAST (rápida).
10. Observe el medidor horario/panel indicador. Si la luz indicadora de la batería o la luz de presión de aceite se enciende, detenga el motor inmediatamente. Haga revisar el tractor por su distribuidor de servicio autorizado.

Encendido con Llave con Control de Acelerador/Cebador

1. Inserte la llave de encendido en el interruptor de encendido.
2. Coloque el interruptor PTO (enganche de cuchillas) o la palanca PTO (enganche de cuchillas) en la posición OFF.

FUNCIONAMIENTO

3. Ponga el freno de mano del tractor.
4. Empuje el control del acelerador hacia arriba, hasta pasar la posición de bloqueo, para activar el cebador.

Nota: Si el motor está caliente, tal vez no sea necesario cebar el motor.

5. Gire la llave de encendido en el sentido de las agujas del reloj hasta la posición START (encendido). Una vez que arranque el motor, suelte la llave. Volverá a la posición de NORMAL MOWING (corte normal).

⚠ PRECAUCIÓN

NO mantenga la llave en la posición START (arranque) durante más de diez segundos por vez. Si lo hace, puede ocasionar daños al arrancador eléctrico del motor.

6. A medida que se calienta el motor, gradualmente tire de la palanca de control del acelerador/cebador hacia atrás hasta pasar la posición de bloqueo del cebador. No use la posición del cebador para enriquecer la mezcla de combustible, a menos que sea necesario para arrancar el motor.
7. Deje que el motor funcione unos cuantos minutos a una aceleración intermedia antes de someterlo a carga.
Nota: Cuando haga funcionar el tractor asegúrese de que la palanca del acelerador esté siempre en la posición FAST (rápida).
8. Observe el medidor horario/panel indicador. Si la luz indicadora de la batería o la luz de presión de aceite se enciende, detenga el motor inmediatamente. Haga revisar el tractor por su distribuidor de servicio autorizado.

Encendido con Llave con Control Electrónico del Regulador

1. Inserte la llave de encendido en el interruptor de encendido.
2. Coloque el interruptor PTO (enganche de cuchillas) o la palanca PTO (enganche de cuchillas) en la posición OFF.
3. Coloque el freno de mano del tractor.
4. Coloque el cuadrante del Control Electrónico del Regulador en el valor deseado de velocidad del motor.

Nota: Si el tractor viene con un Control Electrónico del Regulador, se lo puede encender a cualquier valor de velocidad del cuadrante y automáticamente lo ajustará en el valor deseado de velocidad de motor.

5. Gire la llave de encendido en el sentido de las agujas del reloj hasta la posición START (encendido). Una vez que arranque el motor, suelte la llave. Volverá a la posición NORMAL MOWING (corte normal).

Nota: Al motor le podría llevar algunos segundos ajustar el valor a la velocidad de motor correcta. Esto es normal.

Encendido con PBS

1. Coloque el interruptor PTO (enganche de cuchillas) o la palanca PTO (enganche de cuchillas) en la posición OFF.
2. Inserte la llave de encendido.
3. Coloque el freno de mano del tractor.
4. Mueva el control del acelerador a la posición FAST (rápido).
5. Presione la llave de encendido

Nota: Cuando haga funcionar el tractor asegúrese de que la palanca del acelerador esté siempre en la posición FAST (rápida). Funcionar con el acelerador a menos de máxima velocidad puede acortar la vida útil de la batería.

Arranque del Motor en Clima Frío

Al arrancar el motor a temperaturas cercanas o inferiores al punto de congelamiento, asegúrese de que se use aceite de motor de viscosidad correcta y que la batería tenga carga completa. Arranque el motor de la siguiente forma:

1. Asegúrese de que la batería se encuentre en buen estado. Una batería caliente tiene una capacidad de arranque mucho mayor que una batería fría.
2. Use combustible fresco para uso invernal. La gasolina para uso invernal tiene mayor volatilidad a los efectos de mejorar el arranque. No use gasolina que le haya quedado del verano.
3. Siga las instrucciones previas para Arrancar el motor.

Uso de Cables de Arranque para Encender el Motor

⚠ ADVERTENCIA

Las baterías contienen ácido sulfúrico y producen gases explosivos. Asegúrese de que el área esté bien ventilada, use guantes y protectores de ojos y evite chispas o llamas cerca de la batería.

Si la carga de la batería no es suficiente para dar arranque al motor, vuelva a cargar la batería. Si no dispone de un cargador de batería y debe arrancar el tractor, puede ser necesario usar una batería de urgencia. Conecte la batería de urgencia de la siguiente forma:

1. Conecte el extremo de un cable al terminal positivo de la batería del tractor que no funciona; luego conecte el otro extremo de ese cable al terminal positivo de la batería de urgencia.
2. Conecte un extremo del otro cable al terminal negativo de la batería de urgencia; luego conecte el otro extremo de ese cable al bastidor del tractor que no funciona, a la mayor distancia posible de la batería.
3. Arranque el tractor que no funciona según las instrucciones de arranque normales indicadas más arriba; luego desconecte los cables de puente en orden exactamente inverso al de la conexión.
4. Haga controlar y reparar el sistema eléctrico del tractor lo más pronto que fuere posible, para eliminar la necesidad de usar cables de puente para arrancarlo.

Detención del Motor

1. Si las cuchillas están enganchadas, coloque el interruptor PTO (enganche de cuchillas) o la palanca PTO (enganche de cuchilla) en la posición OFF.
2. Coloque el freno de mano del tractor.
3. Coloque el control del acelerador a distancia media entre las posiciones de velocidad RÁPIDA y velocidad LENTA.
4. Gire la llave de encendido en sentido contrario a las agujas del reloj hasta la posición STOP (detención) o, en las unidades con PBS, presione o extraiga la llave de encendido.

Conducción del Tractor

⚠ ADVERTENCIA

Todos los movimientos de los pedales de Marcha Adelante y Marcha Atrás y del pedal de freno deben ser lentos y suaves. El movimiento abrupto de los pedales de marcha o del pedal de freno puede afectar la estabilidad del tractor y podría hacer que el tractor se voltee, con el resultado de lesiones graves o incluso la muerte del operador.

1. Presione el pedal del freno para liberar el freno de mano. Mueva la palanca de control del acelerador hasta la posición FAST.
2. Para conducir HACIA ADELANTE, presione lentamente el pedal de marcha adelante (a) hasta alcanzar la velocidad deseada. Consulte la Figura 27.
3. Para conducir MARCHA ATRÁS, verifique que el área de atrás esté despejada; luego presione lentamente hacia adelante el pedal de marcha atrás (b) hasta alcanzar la velocidad deseada. Consulte la Figura 27.

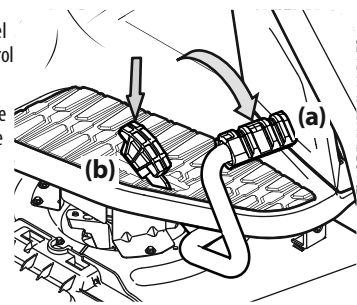


Figura 27

⚠ ADVERTENCIA

- Los giros bruscos pueden afectar el control del tractor. Conduzca SIEMPRE el tractor lentamente antes de realizar giros bruscos.
- No abandone el asiento del tractor sin antes colocar la PTO (enganche de cuchillas) en la posición DESACOPLADA (OFF) y aplicar el freno de mano. Si deja el tractor sin vigilancia, apague el motor y retire la llave de encendido.

FUNCIONAMIENTO

Aplicación del Freno de Mano

Nota: Si el operador abandona el asiento y deja el motor funcionando, deberá colocar el freno de mano, o el motor se apagará de forma automática.

Para poner el freno de mano:

1. Presione el pedal del freno completamente hacia abajo con el pie izquierdo y manténgalo en esa posición.
2. Presione la palanca del freno de mano/control de crucero hacia abajo y manténgala en esa posición.
3. Retire el pie del pedal del freno.
4. Afloje la presión sobre la palanca del freno de mano/control de crucero.

Después de completar el paso 3, el pedal de freno debe permanecer en posición abajo. Si no lo hace, el freno de mano no está activado. Repita los pasos 1 a 4 para activar el freno de mano.

Para desactivar el freno de mano, presione el pedal de freno.

Accionamiento del Control de Crucero

⚠ ADVERTENCIA

No intente activar la palanca de control de crucero mientras se desplaza marcha atrás. El control de crucero no se accionará mientras conduce marcha atrás.

Para accionar el control de crucero:

1. Presione el pedal de marcha adelante con el pie derecho hasta alcanzar la velocidad deseada.
2. Presione la palanca del freno de mano/control de crucero hacia abajo y manténgala en esa posición.
3. Retire el pie del pedal de marcha adelante.
4. Afloje la presión sobre la palanca del freno de mano/control de crucero.

El pedal de marcha adelante debería permanecer en la posición hacia abajo y el tractor mantendrá la misma velocidad de marcha adelante. Si no lo hace, el control de crucero no está activado. Repita los pasos 1 a 4 para activar el control de crucero.

Para desactivar el control de crucero, presione suavemente el pedal de marcha adelante o el pedal de freno.

Modo Precaución Marcha Atrás

Modo Precaución Marcha Atrás (encendido con llave)

La posición MODO PRECAUCIÓN MARCHA ATRÁS del interruptor de encendido permite operar el tractor marcha atrás con la PTO (enganche de cuchillas) en la posición acoplada (ON).

Nota: No se recomienda cortar el césped en marcha atrás.

⚠ ADVERTENCIA

Tenga mucho cuidado cuando opere el tractor en MODO PRECAUCIÓN MARCHA ATRÁS. Mire siempre hacia abajo y detrás de usted antes y durante la marcha atrás. No haga funcionar el tractor cuando haya niños u otras personas cerca. Detenga el tractor inmediatamente si alguien se acerca.

Para usar el MODO PRECAUCIÓN MARCHA ATRÁS:

Nota: El operador DEBE estar sentado en el asiento del tractor.

1. Ponga en marcha el motor como se indicó previamente.
2. Gire la llave de encendido de la posición CORTE NORMAL (a) a la posición MODO PRECAUCIÓN MARCHA ATRÁS (b) del interruptor de encendido. Consulte la Figura 28.
3. Presione y sostenga el BOTÓN MODO PRECAUCIÓN MARCHA ATRÁS (c) que está en la esquina superior derecha del módulo de encendido durante 3 segundos. La luz indicadora roja (d) que está en el ángulo superior izquierdo del módulo de encendido se mantendrá ENCENDIDA mientras esté activada. Consulte la Figura 28.
4. Una vez activada (luz indicadora ENCENDIDA), se puede operar el tractor en marcha atrás con la PTO (enganche de cuchillas) en la posición acoplada (ON).

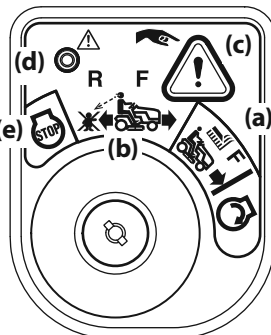


Figura 28

5. Siempre mire hacia abajo y hacia atrás antes y mientras se desplaza lentamente en marcha atrás, para asegurarse de que no haya niños en el área. Luego de retomar la marcha hacia adelante, vuelva la llave a la posición de CORTE NORMAL (a) para volver a la operación de corte normal

El MODO PRECAUCIÓN MARCHA ATRÁS (b) permanecerá activado hasta que:

- a. La llave se coloque ya sea en la posición CORTE NORMAL (a) o la posición STOP (detención) (e).
- b. El operador abandone el asiento (PTO eléctrica)/se ponga el freno de mano (PTO manual).

Modo Precaución Marcha Atrás (encendido con PBS)

El MODO PRECAUCIÓN MARCHA ATRÁS permite operar el tractor marcha atrás con la PTO (enganche de cuchillas) en la posición acoplada (ON).

Nota: No se recomienda cortar el césped en marcha atrás.

⚠ ADVERTENCIA

Tenga mucho cuidado cuando opere el tractor en MODO PRECAUCIÓN MARCHA ATRÁS. Mire siempre hacia abajo y detrás de usted antes y durante la marcha atrás. No haga funcionar el tractor cuando haya niños u otras personas cerca. Detenga el tractor inmediatamente si alguien se acerca.

Para usar el MODO PRECAUCIÓN MARCHA ATRÁS:

Nota: El operador DEBE estar sentado en el asiento del tractor.

1. Ponga en marcha el motor como se indica arriba.
2. Mantenga presionado el botón MODO PRECAUCIÓN MARCHA ATRÁS durante 3 segundos. La luz indicadora parpadeará durante 3 segundos y permanecerá encendida cuando se active el MODO PRECAUCIÓN MARCHA ATRÁS. Consulte la Figura 29.
3. La luz indicadora ubicada encima del MODO PRECAUCIÓN MARCHA ATRÁS estará ENCENDIDA mientras este modo esté activado. Consulte la Figura 29.
4. Una vez activado (luz indicadora ENCENDIDA), se puede operar el tractor en marcha atrás con la PTO (enganche de cuchillas) en la posición acoplada (ON).
5. Siempre mire hacia abajo y hacia atrás antes y mientras opera en marcha atrás, para asegurarse de que no haya niños en el área. Una vez retomado el movimiento hacia adelante, presione el botón MODO PRECAUCIÓN MARCHA ATRÁS para volver al modo CORTE NORMAL.
6. El MODO PRECAUCIÓN MARCHA ATRÁS permanecerá activado hasta que:
 - a. Se vuelva a presionar el botón MODO PRECAUCIÓN MARCHA ATRÁS.
 - b. Se presione o quite la llave de encendido.
 - c. El operador abandone el asiento.

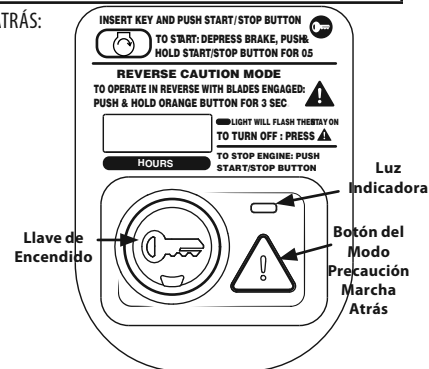


Figura 29

Activación de la PTO (enganche de cuchillas) (tractores con PTO eléctrica)

Al activar la PTO (enganche de cuchillas) se suministra alimentación a la plataforma de corte o a otros accesorios (disponibles por separado). Para activar la PTO:

1. Mueva el acelerador a la posición de velocidad RÁPIDA.
2. Tire del interruptor PTO (enganche de cuchillas) hacia afuera hasta la posición acoplada (ON). Consulte la Figura 26.

Nota: Cuando opere el tractor, asegúrese de que el acelerador esté siempre en la posición FAST (rápido). Funcionar con el acelerador a menos de máxima velocidad puede acortar la vida útil de la batería y producir un corte de mala calidad.

3. Para desactivar la PTO (enganche de cuchillas), empuje el interruptor PTO hacia adentro a la posición desacoplada (OFF).

FUNCIONAMIENTO

Activación de la PTO (enganche de cuchillas) (tractores con PTO manual)

Al activar la PTO (enganche de cuchillas) se suministra alimentación a la plataforma de corte. Para activar la PTO:

1. Mueva el acelerador a la posición de velocidad RÁPIDA.
2. Empuje la palanca PTO (enganche de cuchillas) hacia adelante hasta la posición acoplada (ON). Consulte la Figura 30.

Nota: Cuando opere el tractor, asegúrese de que el acelerador esté siempre en la posición FAST (rápido). Funcionar con el acelerador a menos de máxima velocidad puede acortar la vida útil de la batería y producir un corte de mala calidad.

3. Para desactivar la PTO (enganche de cuchillas), empuje la palanca hacia adelante y hacia la derecha, sacándola de la posición bloqueada, luego suelte la palanca en la posición desacoplada (OFF).

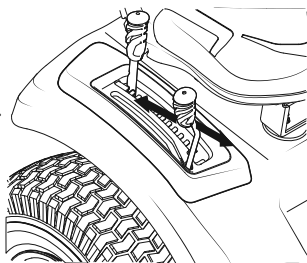


Figura 30

Corte del Césped

⚠ ADVERTENCIA

Para ayudar a evitar el contacto con las cuchillas o una lesión por algún objeto que sea arrojado, mantenga a las personas que lo observan, a los ayudantes, niños y mascotas alejados al menos 25 metros de la máquina mientras está en funcionamiento. Pare la máquina si alguien ingresa a la zona.

⚠ ADVERTENCIA

Asegúrese de que el área donde se va a cortar esté libre de desechos, ramitas, piedras, cables u otros objetos que puedan ser arrojados por las cuchillas rotativas.

Nota: no accione la plataforma de la cortadora cuando esté apoyada sobre el césped. Se produce el desgaste prematuro y la posible falla de la correa en "V" y del embrague de la PTO. Antes de accionar la plataforma de la cortadora, levante totalmente la plataforma o lleve la máquina a un área donde no haya césped.

- Corte hacia arriba y abajo de las pendientes, no en forma transversal. Si corta el césped en pendiente, comience por la base y desplácese hacia arriba para asegurar que siempre se gire cuesta arriba.
- No corte a alta velocidad absoluta, especialmente si tiene instalado un kit de abono o un colector de césped.
- No corte el césped demasiado corto. El césped corto fomenta el crecimiento de maleza y se pone amarillo rápidamente cuando escasea la lluvia.
- Siempre haga funcionar el tractor con el acelerador en la posición FAST (rápido) mientras corta el césped.
- Al realizar la primera pasada elija un punto del lado opuesto del área a cortar. Siga el punto para mantener una línea recta.
- Active PTO y mueva el control del acelerador o del acelerador/cebador a la posición FAST (rápido).
- Baje la plataforma de corte al ajuste de altura deseado.
- Para obtener los mejores resultados, se recomienda realizar las dos primeras vueltas de corte con la descarga hacia el centro. Después de las dos primeras pasadas, cambie la dirección para arrojar la descarga hacia afuera, para equilibrar el corte. Esto otorgará un mejor aspecto al césped.

Nota: La velocidad del tractor afecta la calidad del corte que realiza la cortadora. Si realiza el corte a máxima velocidad la calidad se ve afectada negativamente.

- Su tractor fue diseñado para cortar césped residencial normal, con una altura no mayor de 10" (25 cm). No intente cortar césped demasiado crecido, seco (como un pastizal) ni pilas de hojas secas. El césped o las hojas que estén secos pueden entrar en contacto con el escape del motor y/o acumularse en el tractor.
- NO intente cortar malezas frondosas o césped sumamente alto. El tractor fue diseñado para cortar el césped, NO para podar malezas.

- Mantenga las cuchillas afiladas y cámbielas cuando se gasten.
- Cuando se acerque al otro extremo de la franja, reduzca la velocidad o deténgase antes de girar. Se recomienda un giro de tres puntos.
- Alinee la cortadora de césped con un borde de la franja cortada y superponga la pasada aproximadamente 3" (7.6 cm).
- Oriente el tractor en cada franja subsiguiente de modo que se alinee con la franja ya cortada.
- Para evitar la formación de surcos o ranuras en el césped, en lo posible varíe la dirección de las franjas de corte aproximadamente 45° en cada corte subsiguiente.

Siempre que detenga el tractor por cualquier razón en un área de césped, haga lo siguiente:

- Coloque el freno de mano
- Apague el motor y extraiga la llave de encendido.
- Eso permitirá reducir al mínimo la posibilidad de que su césped resulte "quemado" por el escape caliente del motor en funcionamiento.

Uso del Bloqueo del Diferencial (si se incluye)

⚠ ADVERTENCIA

- Cuando el bloqueo del diferencial esté activado, asegúrese de calcular un radio de giro y un esfuerzo de la dirección mayores.
- Active el bloqueo del diferencial solamente cuando el vehículo funcione al ralentí. No utilice el bloqueo del diferencial al descender una pendiente.
- Estando o no accionado el bloqueo del diferencial, deben seguirse todas las Medidas de Seguridad indicadas en este manual.

Nota: El sistema únicamente debería usarse cuando hay poca tracción. Se debe desactivar cuando el vehículo se desplace por superficies sólidas.

En algunos casos, el tractor se puede manejar en terrenos resbaladizos o en situaciones de baja tracción, y puede ser necesario activar el bloqueo del diferencial. Para usar el bloqueo del diferencial, proceda de la siguiente manera:

1. Detenga el movimiento del tractor.
2. Presione el pedal para activar el bloqueo del diferencial para accionarlo.

Nota: El bloqueo del diferencial solo funciona cuando el pedal está presionado.

Nota: La activación podría demorarse. El bloqueo del diferencial se activará cuando se detecten diferentes velocidades de las ruedas.

Nota: La desactivación podría demorarse. El bloqueo del diferencial se desactivará cuando las velocidades de las ruedas traseras lo permitan.

3. Para desactivar el bloqueo del diferencial, suelte el pedal.

SERVICIO Y MANTENIMIENTO

PROGRAMA DE MANTENIMIENTO

ADVERTENCIA

Antes de realizar cualquier tipo de mantenimiento o servicio, desactive todos los controles y detenga el motor. Espere a que se detengan completamente todas las piezas móviles. Desconecte el cable de la bujía de encendido y póngalo haciendo masa contra el motor para evitar que se encienda accidentalmente. Utilice siempre anteojos de seguridad durante el funcionamiento o mientras ajusta o repara este equipo.

Siga el programa de mantenimiento que se presenta a continuación. En esta tabla sólo se describen pautas de servicio.

Consulte el Manual del Operador del Motor para obtener información sobre las tareas de mantenimiento del motor que se enumeran en la tabla a continuación.

	Antes de cada uso	Después de las primeras 5 horas	Cada 10 horas	Cada 25 horas	Cada 50 horas	Cada 100 horas	Cada 200 horas	Antes de almacenar	Consulte el Manual del motor
Verifique/limpie los filtros de admisión del motor y ventiladores de refrigeración #	✓							✓	
Verifique/limpie el colector de escape, tubo del silenciador y los protectores del silenciador #	✓							✓	
Verifique/limpie la parte de arriba y de abajo de la plataforma y debajo y alrededor de las cubiertas del husillo y área de correas #	✓							✓	
Verifique/limpie alrededor de los fusibles, cableado y mazos de cables #	✓							✓	
Verifique/limpie alrededor de la transmisión, eje y ventiladores #	✓							✓	
Revise si el filtro de aire está sucio, flojo o tiene piezas dañadas	✓								
Controle el nivel de aceite del motor	✓								
Limpie los terminales de la batería			✓					✓	
Engrase todos los puntos de lubricación			✓					✓	
Revise el filtro de admisión del motor/limpie según sea necesario			✓					✓	
Revise las cuchillas/afíle o reemplace según sea necesario			✓					✓	
Verifique la presión de aire de los neumáticos			✓					✓	
Revise/limpie la parte de abajo de la plataforma	✓		✓						
Controle el sistema de enclavamiento de seguridad			✓					✓	
Verifique el tiempo de detención de las cuchillas			✓					✓	
Inspeccione y lubrique las ruedas de la plataforma				✓				✓	
Control el nivel/inclinación de la plataforma				✓				✓	
Controle las correas y poleas para ver si están dañadas/desgastadas					✓				
Compruebe que todos los elementos de ferretería estén en su lugar y seguros						✓			
Compruebe el par de ajuste de los pernos de montaje (Ajuste hasta 325-450 pulgadas-libras (37-50 N-m))		✓			✓			✓	✓
Compruebe el par de ajuste de los pernos de montaje de las cuchillas (Ajuste hasta 70-90 pies-libras (95-122 N-m))		✓			✓			✓	
Controle el estado y la separación de la bujía de encendido						✓		✓	✓
Cambio del aceite de asentamiento del motor		✓							✓
Cambie el aceite del motor					✓			✓	✓
Controle el sistema de combustible (circuitos, depósito, tapón, accesorios)		✓			✓			✓	✓
Controle el amortiguador de chispas		✓			✓			✓	✓
Reemplace el filtro de aceite					✓			✓	✓
Limpie o cambie el filtro de aire					✓				✓
Reemplace el filtro de combustible					✓				✓
Haga revisar y ajustar la holgura de la válvula *									✓

* -- Haga hacer esto por un distribuidor autorizado

#-- Realice esta acción con mayor frecuencia en condiciones de sequía y/o cuando haga abono

SERVICIO Y MANTENIMIENTO

Nota: este manual del operador corresponde a numerosos modelos. Las características del tractor pueden variar según los modelos. No todas las características que se incluyen en este manual se aplican a todos los modelos de tractor y la máquina que se ilustra aquí puede diferir de la suya.

Cuidado del Tractor Posterior al Funcionamiento

Cada vez que se utilice el tractor, se deben implementar los siguientes procedimientos para extender su vida útil y garantizar condiciones de operación seguras.

⚠ ADVERTENCIA

Si no se siguen estas recomendaciones, usted u otras personas podrían sufrir lesiones graves, o se podría dañar el tractor.

Limpieza de la Parte Inferior de la Plataforma

Sistema de Lavado de la Plataforma

La plataforma de su tractor está equipada con un puerto de agua sobre su superficie como parte del sistema de lavado de la plataforma.

Utilice el sistema de lavado de la plataforma para lavar la parte inferior de la plataforma y quitar los restos de césped recortado e impedir la acumulación de sustancias químicas corrosivas. Realice los siguientes pasos DESPUÉS DE CADA CORTE DE CÉSPED:

1. Una el adaptador del pico a una manguera de jardín estándar conectada al suministro de agua.
2. Mueva el tractor a un lugar dentro del alcance de la manguera donde se puedan desechar los recortes de césped húmedos. Desconecte la PTO, aplique el freno de mano y detenga el motor.
3. Tire del collarín de ajuste (a) del adaptador del pico (b) hacia atrás y empuje el adaptador del pico sobre el pico de lavado de la plataforma (c). Suelte el collarín de ajuste para trabar el adaptador del pico en el pico de lavado de la plataforma. Consulte la Figura 31.
4. Abra el suministro de agua.
5. Desde el asiento del operador del tractor, encienda el motor y active la PTO. Deje funcionar según sea necesario. Desactive la PTO y detenga el motor.
6. Cierre el suministro de agua.
7. Tire del collarín de ajuste del adaptador del pico hacia atrás para desconectar el adaptador del pico del pico de lavado de la plataforma.

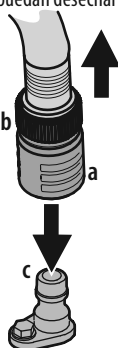


Figura 31

Limpieza del Tractor

⚠ ADVERTENCIA

Si el tractor ha estado en funcionamiento recientemente, el motor, el silenciador y las superficies metálicas circundantes estarán calientes y pueden causar quemaduras en la piel. Deje que el motor se enfríe durante al menos cinco minutos. Tenga precaución para evitar quemaduras.

El tractor se debe limpiar después de cada uso y bajo ciertas condiciones; es decir, en condiciones secas y/o cuando se haga abono, puede ser necesario realizar limpiezas adicionales.

Una de las mejores maneras de mantener el funcionamiento eficiente de su tractor y reducir el riesgo de incendio es eliminar regularmente la acumulación de desechos del tractor. Siga las recomendaciones a continuación y contacte a su distribuidor autorizado si tiene alguna pregunta.

- Deje que el tractor se enfríe al menos cinco minutos en un área abierta antes de limpiarlo.

Nota: No se recomienda el uso de una lavadora de presión ni de una manguera de jardín para limpiar el tractor, excepto para limpiar la parte inferior de la plataforma. Puede dañar los componentes eléctricos, los husillos, las poleas, los rodamientos o el motor. El uso de agua acortará la vida útil de la máquina y reducirá su capacidad de servicio.

- Limpie debajo del capó, incluyendo el colector de escape, alrededor de los fusibles, todo el cableado y mazos de cables, tubo del silenciador, protector del silenciador, filtros de admisión del motor y aletas de refrigeración, etc. Consulte la Figura 32.

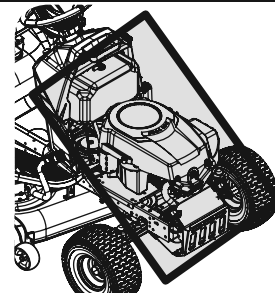


Figura 32

- Limpie la parte de arriba de la plataforma del tractor, debajo de las cubiertas del husillo y el área de la correa. Consulte la Figura 33.

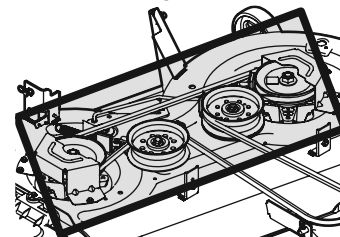
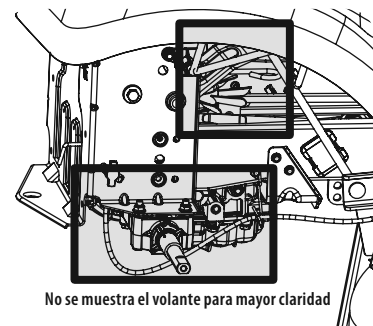


Figura 33

- Limpie alrededor y cerca de la transmisión, eje y área de ventiladores. Consulte la Figura 34.
- Se pueden acumular residuos en cualquier parte del tractor, especialmente en superficies horizontales. Puede ser necesario realizar una limpieza adicional cuando corte césped en condiciones secas o cuando haga abono.
- Las fugas y los derrames de combustible o de aceite y la lubricación excesiva también pueden convertirse en lugares de acumulación de residuos. La reparación de las fugas y la limpieza inmediata de los derrames de aceite o de combustible pueden ayudar a reducir los riesgos de incendio.
- Además de limpiar el tractor antes de utilizarlo y antes de guardarlo, no intente cortar césped demasiado crecido (de 10" (25 cm) o más de altura), seco (como un pastizal) o pilas de hojas secas. El césped o las hojas que están secos pueden entrar en contacto con el escape del motor y/o acumularse en la plataforma del tractor presentando un potencial peligro de incendio.



No se muestra el volante para mayor claridad

Figura 34

Almacenamiento del Tractor

- Deje que el tractor se enfríe al menos cinco minutos en un área abierta antes de guardarlo.
- No estacione el tractor cerca de cualquier material inflamable (madera, ropa o productos químicos) o de llamas abiertas o cualquier otra fuente potencial de ignición (hornos, calentadores de agua u otros tipos de calefactores).
- Quite todos los materiales combustibles del tractor antes de guardarlo. Vacíe las cajas de carga y los colectores o contenedores de césped.
- Si el tractor está equipado con una válvula de corte de combustible, interrumpa siempre el flujo de combustible cuando almacene o transporte el tractor.
- Verifique frecuentemente el sistema de combustible (circuitos, tanque, tapón y accesorios) para ver si hay rajaduras o pérdidas. Repare y limpie según sea necesario.

SERVICIO Y MANTENIMIENTO

Mantenimiento

Motor

⚠ ADVERTENCIA

Deje que la máquina se enfríe en un lugar abierto al menos cinco minutos antes de almacenarla o de volver a cargarle combustible.

Consulte el Manual del Operador del Motor para obtener información sobre las preguntas y los problemas relacionados con el motor.

Nota: el mantenimiento, la reparación o el reemplazo de los dispositivos y de los sistemas de control de emisiones que se estén realizando por cuenta del propietario pueden ser llevados a cabo por cualquier individuo o establecimiento especializados en reparación de motores. Los arreglos en garantía deben ser realizados por un distribuidor autorizado.

Cambio del aceite del motor

⚠ ADVERTENCIA

Si el tractor ha estado en funcionamiento recientemente, el motor, el silenciador y las superficies metálicas circundantes estarán calientes y pueden causar quemaduras en la piel. Deje que el motor se enfríe durante al menos cinco minutos. Tenga precaución para evitar quemaduras.

NOTA: El filtro de aceite se debe cambiar en cada intervalo de cambio de aceite.

Para realizar el cambio de aceite, proceda de la siguiente manera:

- Haga funcionar el motor por un período corto para que el aceite del motor se caliente. El aceite fluirá mejor y limpiará las impurezas. Tenga cuidado y evite quemarse con el aceite caliente.
- Abra el capó del tractor y ubique el orificio de drenaje de aceite a uno de los lados del motor.
- Para recoger el aceite usado, coloque un recipiente adecuado para recolectar el aceite, con al menos una capacidad de 2.5 cuartos de galón (2.36 litros), debajo de la abertura del tubo de drenaje de aceite. Retire el tapón de llenado de aceite/la varilla de nivel de aceite del tubo de llenado.
- Abra la tapita protectora del extremo de la válvula de drenaje para visualizar el orificio de drenaje. Consulte la Figura 35.
- Presione el tubo de drenaje de aceite (que acompaña este manual) sobre el orificio de drenaje. Coloque el extremo libre de la manguera en un recipiente de recolección de aceite adecuado con una capacidad de por lo menos 2.5 cuartos de galón (2.36 litros) para recoger el aceite usado.
- El motor está equipado con un orificio de drenaje de girar y tirar. Gire la válvula de drenaje de aceite 1/4 de vuelta hacia la izquierda, luego tire hacia afuera para comenzar a drenar el aceite. Cuando haya terminado de drenar el aceite, empuje el extremo de la válvula de drenaje de aceite hacia adentro y gírela 1/4 de vuelta en sentido de las agujas del reloj para cerrar el orificio de drenaje de aceite. Vuelva a colocar la tapita del extremo de la válvula para evitar que entren residuos en el orificio de drenaje.
- Vuelva a colocar el filtro de aceite y cargue el motor con aceite nuevo según las instrucciones del manual del operador del motor.
- Reinstale el tapón de llenado de aceite/la varilla de nivel de aceite.

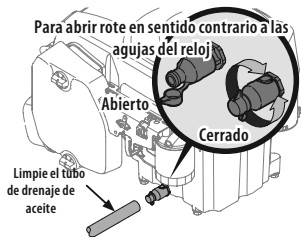


Figura 35

NOTA: Coloque una toalla absorbente debajo del filtro de aceite para mantener el aceite fuera de la polea del motor.

Nota: respete las leyes y reglamentaciones sobre la manera correcta de desechar gasolina, aceite, etc. para proteger el medio ambiente.

NOTA: el mantenimiento, la reparación o el reemplazo de los dispositivos y los sistemas del control de emisiones que se hagan por cuenta del propietario, pueden ser realizados por cualquier establecimiento o individuo especializado en reparaciones de motores. Los arreglos en garantía deben ser realizados por un distribuidor autorizado.

Lubricación

⚠ ADVERTENCIA

Antes de lubricar, reparar o inspeccionar, desconecte siempre la toma de fuerza (PTO), ponga el freno de mano, pare el motor y retire la llave, para evitar el encendido accidental del motor.

Con un aceite lubricante de buena calidad, lubrique todos los puntos de lubricación. Consulte la tabla del Programa de Mantenimiento que figura en este manual para conocer los intervalos de mantenimiento adecuados.

Lubricación de las ruedas delanteras

Cada uno de los ejes y llantas de las ruedas delanteras viene equipado con un accesorio de engrase. Consulte la Figura 36 para ver la ubicación del accesorio de engrase en los ejes y la Figura 37 para ver la ubicación del accesorio de engrase en las llantas. Lubrique con una grasa multipropósito N° 2 aplicada con una pistola para grasa según el Programa de Mantenimiento.

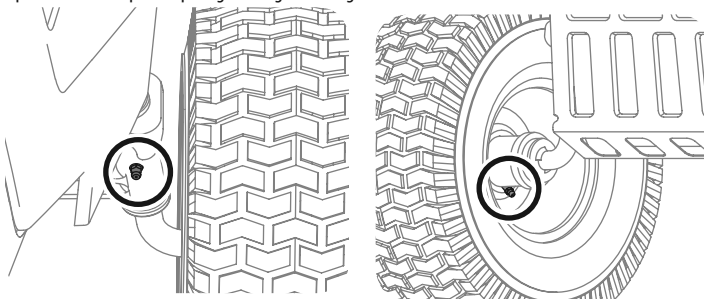


Figura 36

Figura 37

Lubricación de las ruedas de la plataforma

Las ruedas de la plataforma tienen forma esférica (las plataformas de 50" y 54" tienen cuatro ruedas) están equipadas con un engrasador. Lubrique con una grasa multipropósito N° 2 aplicada con una pistola para grasa según la Tabla de Mantenimiento.

Lubricación de los puntos de pivote y varillaje

Lubrique todos los puntos de pivote del sistema de transmisión, freno de mano y varillaje de elevación según la Tabla de Mantenimiento.

NOTA: no es necesario engrasar la interfaz del piñón de la dirección/engranajes. Si lo hace, se acumulará suciedad en estas piezas, y esto puede afectar el rendimiento de la dirección.

Transmisión hidrostática

La transmisión hidrostática viene sellada de fábrica y no requiere mantenimiento alguno. No se puede controlar el nivel de fluido ni se puede cambiar el líquido.

Mantenimiento del amortiguador de chispas (si se incluye)

Los conjuntos de amortiguadores de chispas se deben inspeccionar y limpiar periódicamente (consulte la tabla de intervalos de mantenimiento que figura en este manual). Inspeccione visualmente el filtro para detectar roturas, cables rotos o soldaduras sueltas. Vuelva a colocar el conjunto de amortiguador de chispas si existen algunas de estas condiciones. Si el filtro está en buenas condiciones, límpielo cepillando para sacar la suciedad o partículas de carbono sueltas.

Neumáticos

Mantenga los neumáticos inflados a las presiones recomendadas. El inflado inadecuado de un neumático reduce su vida útil. Consulte los laterales de los neumáticos para averiguar las presiones de inflado adecuadas. Consulte la tabla del programa de mantenimiento que figura en este manual para conocer los intervalos de mantenimiento adecuados.

Respete las siguientes pautas:

- No infle los neumáticos por encima de la presión máxima que se muestra en el lateral del neumático.
- No vuelva a inflar un neumático que se ha utilizado desinflado o desinflado en extremo. Un gomero calificado debe inspeccionar y reparar el neumático.

SERVICIO Y MANTENIMIENTO

Almacenamiento Fuera de Temporada

Si el tractor cortacésped no va a funcionar por un período prolongado (desde treinta días hasta aproximadamente seis meses), se lo debe preparar para el almacenamiento. Guarde el tractor cortacésped en un lugar seco y protegido. Si lo guarda afuera, cúbralo (incluidos los neumáticos) para protegerlo de los fenómenos climáticos. Cada vez que se prepara el tractor cortacésped para dejarlo fuera de uso se deben realizar los procedimientos que se describen más abajo.

1. Cambie el aceite y el filtro del motor siguiendo las instrucciones suministradas en este manual, como así también el manual del motor entregado con este tractor.

⚠ ADVERTENCIA

Nunca guarde el tractor con combustible en el depósito en un lugar cerrado o con escasa ventilación, donde los gases del combustible pueden alcanzar llamas abiertas, chispas o una luz piloto como la de un horno, calentador de agua, secador de ropa, etc.

2. Si guarda el tractor por 30 días o más:
 - a. Para evitar que se formen depósitos de goma dentro del carburador del motor y posibles desperfectos en el motor, el sistema de combustible debe ser vaciado completamente, o se debe tratar la gasolina con un estabilizador para evitar el deterioro.
 - b. Uso de un estabilizador de combustible para almacenamiento de entre 30 y 90 días:
 - Lea las instrucciones y recomendaciones del fabricante del producto.
 - Agregue a la gasolina limpia y nueva la cantidad correcta de estabilizador según la capacidad (aproximadamente 3 galones) del sistema de combustible.
 - Llene el depósito de combustible con combustible tratado y haga funcionar el motor 2-3 minutos para estabilizar el combustible dentro del carburador.
 - El combustible que queda en el depósito se deteriora y causa graves problemas de arranque.
 - c. Vaciado del sistema de combustible para almacenamiento de más de 90 días:
 - Antes de guardar el tractor, observe el consumo de combustible a los efectos de hacer funcionar el tractor hasta que el depósito esté vacío.
 - Haga funcionar el motor hasta que comience a detenerse. Use el cebador para mantener el motor en funcionamiento hasta que se haya agotado todo el combustible del carburador.
 - Drene el combustible del recipiente del carburador, consultando el manual del motor.
3. Limpie perfectamente el motor y todo el tractor.

Nota: no se recomienda el uso de una lavadora de presión ni de una manguera de jardín para limpiar el tractor, excepto para limpiar la parte inferior de la plataforma. Puede dañar los componentes eléctricos, los husillos, las poleas, los rodamientos o el motor. El uso de agua acortará la vida útil de la máquina y reducirá su capacidad de servicio.

4. Cargue totalmente la batería, luego desconecte el cable negativo de la batería para evitar posibles descargas. Vuelva a cargar la batería periódicamente durante el almacenamiento.

Nota: retire la batería si ha estado expuesta a períodos prolongados de temperaturas inferiores al congelamiento. Guarde en un lugar fresco y seco, donde las temperaturas estén por encima del punto de congelamiento.

5. Lubrique todos los puntos de lubricación.

Retiro del tractor cortacésped del lugar de guarda

1. Inspeccione el aceite del motor.
2. Cargue totalmente la batería e infle los neumáticos a la presión recomendada. Consulte los laterales de los neumáticos para averiguar las presiones de inflado adecuadas.
3. Llene el depósito de combustible con gasolina limpia y nueva.
4. Arranque el motor y déjelo andar en ralentí unos cuantos minutos para asegurar que su funcionamiento sea adecuado.
5. Conduzca el tractor sin carga para estar seguro de que todos los sistemas del tractor funcionan correctamente.

Ajustes

Nivelación de la plataforma

Si la plataforma de corte estuviera realizando el corte de césped de forma despareja, puede realizarse el ajuste de nivelación.

⚠ ADVERTENCIA

Si el tractor ha estado en funcionamiento recientemente, el motor, el silenciador y las superficies metálicas circundantes estarán muy calientes y pueden causar quemaduras en la piel. Deje que el motor se enfríe durante al menos cinco minutos. Tenga precaución para evitar quemaduras.

NOTA: Controle la presión de neumáticos del tractor antes de realizar cualquier nivelación de la plataforma. Consulte información sobre la presión de los neumáticos en el título Presión de los Neumáticos de esta sección.

Nivelación de la Plataforma (de lado a lado)

1. Con el tractor estacionado sobre una superficie firme y nivelada, coloque la palanca de elevación de la plataforma en la posición media y rote las dos cuchillas para que queden perpendiculares al tractor.
2. Mida la distancia desde la parte externa de la punta de la cuchilla izquierda hasta el piso, y desde la parte externa de la punta de la cuchilla derecha hasta el piso. Las dos mediciones obtenidas deben ser iguales. Si no lo son, prosiga con el paso siguiente.
3. Debajo de los guardabarros traseros dentro de las ruedas hay una varilla de ajuste de elevación para cada lado de la plataforma. Consulte la Figura 38.
4. Los ajustes menores de lado a lado se deben hacer usando principalmente la varilla de ajuste izquierda.
5. Para elevar el lado izquierdo de la plataforma, afloje la tuerca superior del extremo de la varilla de elevación, y luego gire la tuerca inferior a la derecha. Cuando logre el ajuste correcto, apriete la tuerca superior para asegurarla en su lugar. Para bajar el lado izquierdo de la plataforma, afloje la tuerca superior del extremo de la varilla de elevación, luego gire la tuerca inferior a la izquierda. Cuando logre el ajuste correcto, apriete la tuerca superior hasta 25-30 pies-libras (34-40 N-m) para asegurarla en su lugar.
6. La plataforma se encuentra correctamente nivelada cuando las dos mediciones tomadas antes desde las puntas de las cuchillas son iguales.

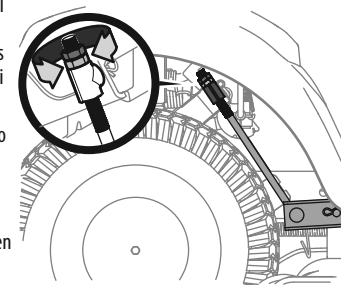


Figura 38

Nivelación de la plataforma (inclinación/de adelante hacia atrás)

El frente de la plataforma se apoya en una barra estabilizadora que se puede ajustar para nivelar la plataforma de adelante hacia atrás. El frente de la plataforma debe estar 1/4"-3/8" (6.35-9.5 mm) más abajo que la parte trasera de la plataforma. De ser necesario, realice un ajuste de la siguiente manera:

1. Con el tractor estacionado sobre una superficie firme y nivelada, coloque la palanca de elevación de la plataforma en la posición media y gire la cuchilla más cercana al canal de descarga para que quede paralela al tractor.
2. Mida la distancia desde la parte delantera de la punta de la cuchilla hasta el suelo, y desde la parte posterior de la punta de la cuchilla hasta el suelo. El frente de la plataforma debe estar entre 1/4"-3/8" (6.35-9.5 mm) más abajo que la parte posterior.
3. Determine la distancia aproximada necesaria para un ajuste adecuado y, de ser necesario, proceda.

SERVICIO Y MANTENIMIENTO

- Para *elevare* frente de la plataforma, afloje la tuerca exterior y luego apriete (rosca hacia adentro) la tuerca contra el soporte de suspensión delantera. Consulte la Figura 39. Cuando se logre el torque correcto, vuelva a apretar la tuerca exterior hasta 25-30 pies-libras (34-40.7 N-m).
- Para *bajar* el frente de la plataforma, afloje la tuerca exterior y luego afloje (rosca hacia afuera) la tuerca interior, alejándola del soporte de suspensión delantera. Consulte la Figura 39. Cuando se logre el ajuste correcto, vuelva a apretar la tuerca exterior.

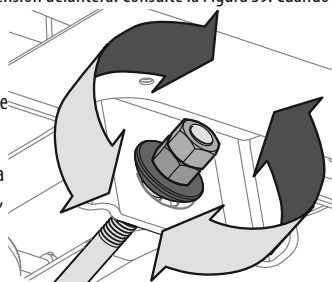


Figura 39

Ajuste de las Ruedas de la Plataforma

⚠ ADVERTENCIA

Mantenga las manos y los pies alejados de la abertura de descarga de la plataforma de corte.

NOTA: Las ruedas de la plataforma constituyen un mecanismo para el cuidado del césped y no fueron diseñadas para soportar el peso de la plataforma.

Las ruedas de la plataforma deben estar aproximadamente 1/4"–1/2" (6.35-12.7 mm) por encima del suelo cuando la plataforma se fija en el valor de altura deseado. Para ajustar las ruedas de la plataforma, consulte las instrucciones en la sección Montaje.

Servicio

Sistema eléctrico

El tractor tiene instalado un fusible para proteger el sistema eléctrico de los daños causados por el exceso de amperaje. Siempre reemplace con fusibles de la misma capacidad. Si el sistema eléctrico no funciona, controle si hay un fusible quemado.

Si se repite el problema de los fusibles quemados, haga que el distribuidor de servicio autorizado de su localidad revise el sistema eléctrico del tractor.

Relés e interruptores

Hay varios interruptores de seguridad en el sistema eléctrico. Si una función del sistema de enclavamiento de seguridad descrito antes no funciona adecuadamente, haga que el distribuidor de servicio autorizado revise el sistema eléctrico.

Ajuste del Freno de Mano

Si el tractor no se detiene por completo cuando se presiona totalmente el pedal del freno, o si las ruedas traseras del tractor siguen rodando con el freno de mano colocado (y la válvula de descarga hidrostática abierta) el freno necesita ajustes. Consulte al distribuidor de servicio autorizado para realizar un ajuste del freno.

Ajuste punto muerto hidrostático

Si el tractor se desliza hacia adelante o hacia atrás cuando no se presiona el pedal de marcha adelante ni el de marcha atrás, póngase en contacto con el distribuidor local autorizado para que regule correctamente el ajuste de punto muerto.

Alineación de las ruedas

Si el tractor tira hacia un lado o está desalineado, podría ser necesario alinear las ruedas. Comuníquese con un distribuidor de servicio autorizado para hacer alinear las ruedas correctamente.

Retiro de la Plataforma

⚠ ADVERTENCIA

Tenga cuidado de no pellizcarse los dedos cuando saca la correa de la polea de la PTO.

Para extraer la plataforma, proceda de la siguiente manera:

- Desplace el tractor a una superficie nivelada, desconecte la PTO, pare el motor y PONGA el freno de mano.
- Baje la plataforma colocando la palanca de elevación de la plataforma dentro de la muesca inferior del guardabarros derecho.
- Para tractores con PTO manual continúe con el paso 4, para modelos con PTO eléctrica salte al paso 8.
- Afloje, pero no quite la tuerca de seguridad con brida de la polea loca derecha y el tornillo hexagonal de la polea izquierda.
- Saque el tornillo hexagonal que asegura la varilla guardapoleas del motor al bastidor. Consulte la Figura 40.
- Deslice la varilla hacia la derecha para sacarla.

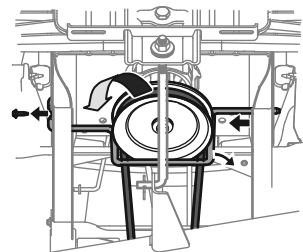


Figura 40

NOTA: Cuando extraiga la varilla, actúe con precaución para evitar que se dañe el mazo de cables.

- Extraiga el pasador de chaveta que sujeta el cable de la PTO al soporte de la plataforma, tire hacia atrás del cable de la PTO, luego deslícelo fuera del soporte y desenganche el resorte de la polea loca. Consulte la Figura 41.
- Desde el lado derecho del tractor, inserte una llave de trinquete de 3/8", regulada para *ajustar*, en el orificio cuadrado del soporte intermedio. Consulte la Figura 42.

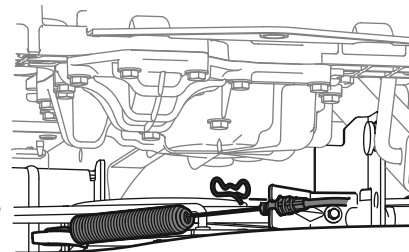


Figura 41

- Pivote la llave hacia adelante para mover la polea de transmisión de la plataforma hacia adelante. Consulte la Figura 42.
- Extraiga con cuidado la correa de alrededor de la polea de la PTO.
- Mirando hacia la plataforma desde el lado izquierdo del tractor, ubique el pasador de chaveta en el lado posterior izquierdo de la plataforma. Consulte la Figura 43.
- Retire el pasador y saque el pasador de la plataforma del brazo de elevación de la misma. Consulte la Figura 43.
- Repita los pasos 11-12 del lado derecho del tractor.

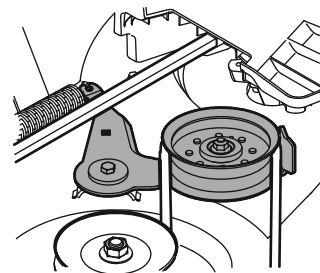


Figura 42

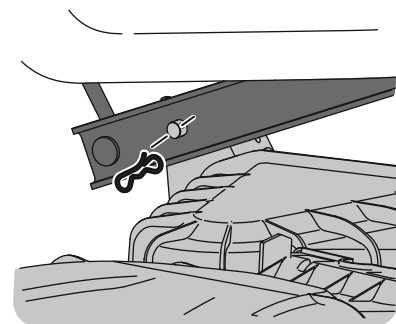


Figura 43

SERVICIO Y MANTENIMIENTO

- Tire del pasador de chaveta hacia afuera de la varilla de elevación delantera de la plataforma que la sujeta a la plataforma. Consulte la Figura 44. Saque la varilla de elevación de la plataforma del soporte de suspensión frontal.
- Mueva la palanca de elevación de la plataforma a la muesca superior para levantar el elevador de la plataforma y sacarlo del camino.
- Deslice suavemente la plataforma hacia afuera desde la parte inferior del tractor.

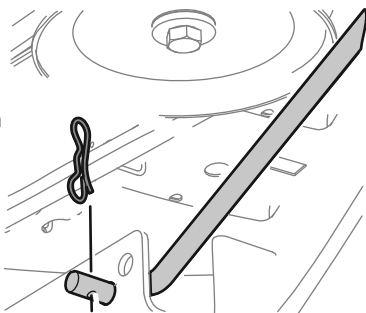


Figura 44

Extracción de las cuchillas

⚠ ADVERTENCIA

- Apague el motor y extraiga la llave de encendido antes de retirar las cuchillas de corte para afilarlas o reemplazarlas. Proteja sus manos utilizando guantes reforzados cuando sujete las cuchillas.
- Inspeccione periódicamente la cuchilla y/o el husillo en busca de rajaduras o daños, especialmente después de golpear un objeto extraño. No haga funcionar el tractor hasta después de haber reemplazado los componentes dañados.
- Si el borde cortante de la cuchilla ha sido afilado previamente o si existe una separación de metal, reemplace las cuchillas por otras nuevas.

Sistema de Cuchillas FastAttach™ (si se incluye)

- Coloque la altura de la plataforma del tractor en su posición más alta.
- Con cuidado sienta las ranuras para los dedos que están en el collarín de la cuchilla a los lados de la cuchilla.
- Empuje hacia arriba sobre el collarín de la cuchilla y sosténgalo. Consulte la Figura 45.
- Mientras sostiene el collarín en la posición hacia arriba, rote la cuchilla en sentido contrario a las agujas del reloj para liberarla del collarín. Consulte la Figura 46.
- Cuando el orificio del centro de la cuchilla se alinee con el retenedor de cuchillas del tractor, baje la cuchilla con cuidado. Consulte la Figura 47.

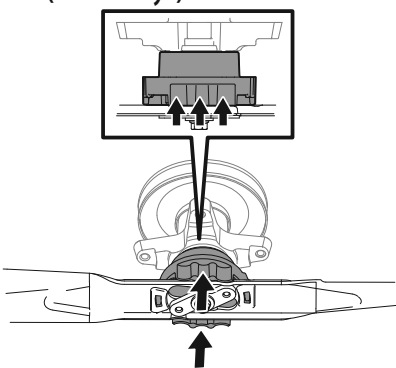


Figura 45

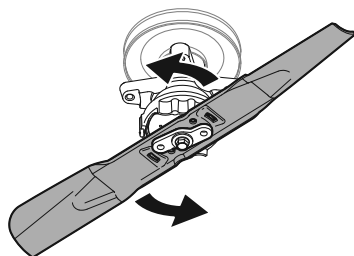


Figura 46

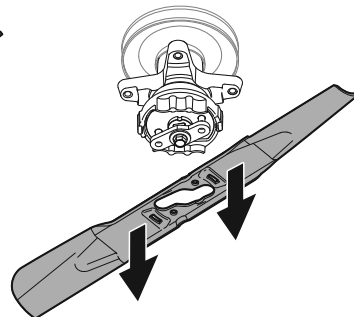


Figura 47

Sistema de Cuchillas Estándar (si se incluye)

- Retire la plataforma desde abajo del tractor, (consulte la sección Retiro de la Plataforma anteriormente en esta sección) luego voltee con delicadeza la plataforma para visualizar su parte inferior.
- Coloque un bloque de madera entre el deflector del alojamiento de la plataforma y la cuchilla de corte para que actúe como estabilizador. Consulte la Figura 48.
- Extraiga la tuerca de brida hexagonal que asegura la cuchilla al montaje del husillo.

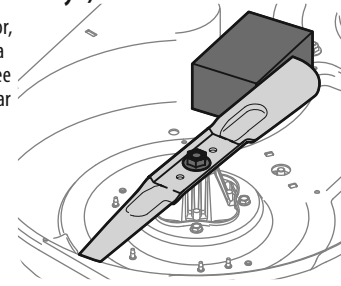


Figura 48

Instalación de la cuchilla

Sistema de Cuchillas FastAttach™ (si se incluye)

- Coloque la altura de la plataforma del tractor en su posición más alta.
- Oriente la cuchilla correctamente. La parte inferior de la cuchilla se etiqueta "Lado del Césped".
- Posicione la cuchilla debajo del montaje de husillo, y alinee con cuidado el orificio grande del centro de la cuchilla sobre el retenedor de cuchillas del tractor. Consulte la Figura 49.
- Empuje la cuchilla hacia arriba contra el adaptador de cuchilla hasta que el collarín se eleve. Consulte la Figura 45.
- Gire la cuchilla en sentido de las agujas del reloj para alinearla con el adaptador de cuchilla. Consulte la Figura 50.

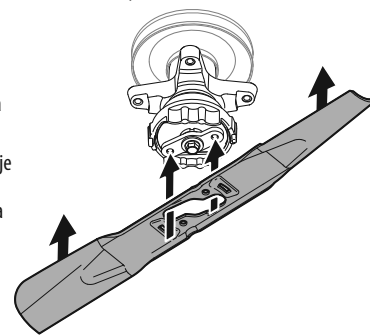


Figura 49

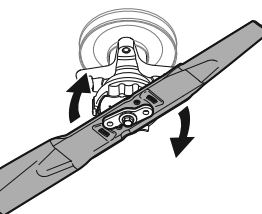


Figura 50

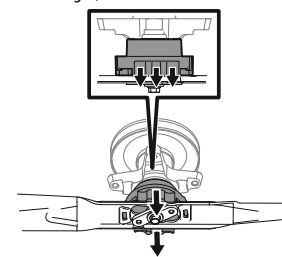


Figura 51

NOTA: Si se siente demasiada resistencia mientras se está girando la cuchilla, significa que el husillo está rotando, la cuchilla no está correctamente alineada sobre el adaptador de cuchilla y la instalación no será exitosa.

- Cuando la cuchilla esté correctamente trabajada en su lugar, se escuchará un clic. Consulte la Figura 51.

Sistema de Cuchillas Estándar (si se incluye)

- Con la plataforma quitada, voltee la plataforma con delicadeza para dejar al descubierto la parte inferior.
- Alinee el orificio del centro de la cuchilla con el retenedor en forma de 's' que está en la base del montaje de husillo y deslice la cuchilla en su lugar.
- Coloque un bloque de madera entre el deflector del alojamiento de la plataforma y la cuchilla de corte para que actúe como estabilizador. Consulte la Figura 48.
- Enrosque la tuerca de brida hexagonal para asegurar la cuchilla al montaje de husillo.
- Utilice una llave de torsión para ajustar la tuerca de brida hexagonal del husillo de la cuchilla a 70-90 pies-libras (95-122 N-m).

NOTA: Cuando reemplace o reinstale la cuchilla, asegúrese de instalarla con el lado marcado "Bottom" (Inferior) (o con el lado que posee un número de pieza estampado) mirando al piso.

SERVICIO Y MANTENIMIENTO

Afilado de la cuchilla

1. Para afilar las cuchillas de corte de forma adecuada, extraiga cantidades iguales de metal de ambos extremos de las cuchillas a lo largo de los bordes cortantes, de forma paralela al borde de caída, a un ángulo de 25° a 30°. Afile siempre cada borde de las cuchillas de corte de forma pareja para mantener un centrado adecuado entre las mismas. Consulte la Figura 52.
2. Pruebe el centrado de la cuchilla usando un compensador de cuchillas. Afile el metal del lado pesado hasta que quede bien centrada.

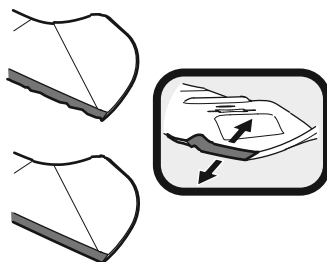


Figura 52

⚠ ADVERTENCIA

Una cuchilla mal centrada causará exceso de vibración y puede dañar el tractor y/o causar lesiones.

Cambio de la Correa de la Plataforma y Reinstalación de la Plataforma

⚠ PRECAUCIÓN

Las correas en V de su tractor están especialmente diseñadas para activarse y desactivarse con seguridad. Una correa sustituta (no del fabricante original) puede ser peligrosa por no desactivar completamente. Para que la máquina funcione de manera adecuada, use correas aprobadas por el fabricante.

Todas las correas del tractor están sujetas a desgaste, y se las debe cambiar si se presentan signos de desgaste. Para cambiar o reemplazar la correa de la plataforma de su tractor, proceda de la siguiente manera:

1. Saque la plataforma como se indicó anteriormente en esta sección en Extracción de la plataforma.
2. Afloje, pero no quite los elementos de ferretería de la polea loca izquierda y derecha.

Nota: En algunas plataformas puede ser necesario retirar las cubiertas de los husillos para sacar y/o instalar la correa nueva. Para retirar las cubiertas de los husillos, saque los tornillos que las sujetan a la plataforma.
3. Saque con cuidado la correa de alrededor de las poleas locas y las poleas de los husillos.
4. Coloque la correa nueva como se muestra en la figura correspondiente en las páginas siguientes. Consulte la Figura 53 para plataformas de 42", la Figura 54 para plataformas de 46" y la Figura 55 para plataformas de 50" y 54".

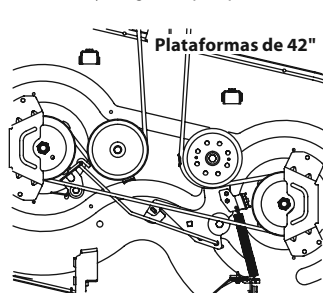


Figura 53

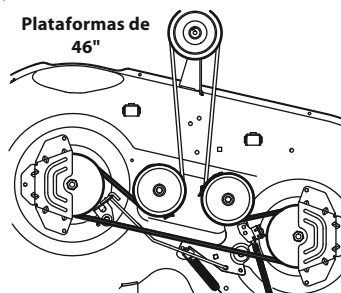


Figura 54

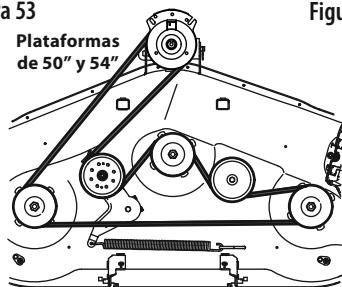


Figura 55

- NOTA:** Use una llave de trinquete de 3/8" como se indica en pasos anteriores para colocar la correa nueva en pivote con la correa de transmisión.
5. Cerciérese de que la correa pase correctamente sobre las poleas locas y por dentro de los guardacorreas y vuelva a ajustar las poleas locas, si las hubiera aflojado anteriormente. Ajuste a 256-313 pulgadas-libras (29-35 N-m).
 6. Vuelva a montar las cubiertas de los husillos se fueron retiradas.
 7. Reinstale la plataforma, comprobando que la correa se ha pasado alrededor de las poleas como se indica.
 8. En unidades con PTO manual, vuelva a instalar la varilla guardapoleas del motor y el cable de la PTO.
 9. Tire del lado derecho de la correa y coloque el lado V angosto de la correa en la polea de la PTO. Consulte la Figura 56.
 10. Sosteniendo la correa y la polea juntas, rote la polea hacia la izquierda. Continúe sosteniendo y rotando la polea y la correa hasta que la correa esté totalmente deslizada dentro de polea de la PTO.

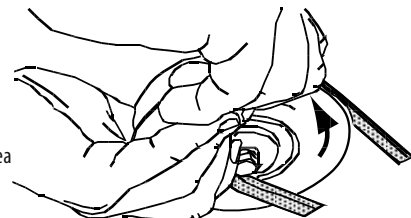


Figura 56

Extracción de la Protección del Cepillo

⚠ ADVERTENCIA

El sistema de escape y las áreas que lo rodean están CALIENTES. Para evitar lesiones personales, deje que el tractor se enfríe antes de comenzar cualquier procedimiento de instalación o extracción de la protección del cepillo.

1. Quite los dos pasadores de chaveta, y luego tire de los pasadores. Consulte la Figura 57.
 2. Ahora ya se puede extraer el conjunto de protección del cepillo. Consulte la Figura 58.
- Nota:** Los soportes FastAttach™ pueden dejarse en el lugar para usar con otros accesorios FastAttach™. Contáctese con su distribuidor de servicio autorizado para obtener una lista completa de productos y conocer su disponibilidad.

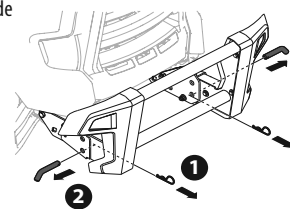


Figura 57

Cambio de la Correa de Transmisión

Para cambiar la correa de transmisión del tractor, se deben retirar varios componentes y se requieren herramientas especiales. Solicite a un distribuidor de servicio autorizado que realice el reemplazo de la correa de transmisión.

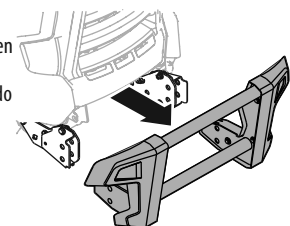


Figura 58

SOLUCIÓN DE PROBLEMAS

ADVERTENCIA

Antes de realizar cualquier tipo de mantenimiento o servicio, desactive todos los controles y detenga el motor. Espere a que se detengan completamente todas las piezas móviles. Desconecte el cable de la bujía de encendido y póngalo haciendo masa contra el motor para evitar que se encienda accidentalmente. Utilice siempre anteojos de seguridad durante el funcionamiento o mientras ajusta o repara este equipo.

En esta sección se analizan problemas menores de servicio. Para localizar el centro de servicio técnico autorizado más cercano consulte la hoja complementaria que se entrega por separado donde consta la información de contacto.

Problema	Causa	Solución
El motor no arranca	<ol style="list-style-type: none"> 1. Perilla de PTO/Acople de Cuchillas activada. 2. No está puesto el freno de mano. 3. Se ha desconectado el cable de bujía. 4. La palanca de control del acelerador no está en la posición de arranque correcta. 5. El depósito de combustible está vacío o el combustible se ha echado a perder. 6. La línea del combustible está bloqueada. 7. La bujía no funciona correctamente. 8. Motor ahogado. 9. Fusible(s) quemados. 	<ol style="list-style-type: none"> 1. Coloque la perilla en la posición de desconexión (OFF). 2. Coloque el freno de mano. 3. Conecte el cable a la bujía de encendido 4. Mueva la palanca del acelerador a la posición FAST (rápido). 5. Llene el depósito con gasolina limpia y nueva (de menos de 30 días de antigüedad). 6. Vuelva a colocar el circuito de combustible. Vea a un distribuidor de servicio autorizado. Reemplace el filtro de combustible. Consulte la sección Servicio y Mantenimiento. 7. Limpie, ajuste la separación, o cambie la bujía. 8. Arranque el motor con el acelerador en la posición FAST (rápido). 9. Reemplace el fusible.
El motor funciona de manera errática	<ol style="list-style-type: none"> 1. El tractor está funcionando con Cebador activado. 2. Los cables de la bujía están flojos. 3. El circuito del combustible está obstruido o el combustible se ha echado a perder. 4. La ventilación en la tapa del combustible está obstruida. 5. Hay agua o suciedad en el sistema de combustible. 6. El depurador de aire está sucio. 	<ol style="list-style-type: none"> 1. Compruebe que el cebador eléctrico funcione. Vea a un distribuidor de servicio autorizado. 2. Conecte y ajuste los cables e la bujía. 3. Vuelva a colocar el circuito de combustible. Vea a un distribuidor de servicio autorizado. Llene el tanque con gasolina limpia y nueva y reemplace el filtro de combustible. Consulte la sección Servicio y Mantenimiento. 4. Destape la ventilación o reemplace la tapa si está dañada. 5. Vacíe el depósito de combustible. Recargue el depósito con gasolina limpia y nueva. Consulte la sección Servicio y Mantenimiento. 6. Limpie o reemplace el elemento de papel del depurador de aire o limpie el prefiltro de espuma.
El motor recalienta	<ol style="list-style-type: none"> 1. El nivel de aceite del motor está bajo. 2. Restricción en el flujo de aire 	<ol style="list-style-type: none"> 1. Llene el motor con cantidad y tipo de aceite adecuados. 2. Elimine los recortes de césped y los desechos de alrededor de las aletas de enfriamiento del motor y de la carcasa del soplador.
El motor vacila a altas revoluciones	<ol style="list-style-type: none"> 1. Poca separación de los electrodos de la bujía 	<ol style="list-style-type: none"> 1. Extraiga la bujía y regule la separación.
El motor funciona mal en marcha lenta	<ol style="list-style-type: none"> 1. Bujía atorada 2. El depurador de aire está sucio 	<ol style="list-style-type: none"> 1. Reemplace la bujía y regule la separación. 2. Limpie o reemplace el elemento del depurador de aire y/o limpie el prefiltro.
Excesiva vibración	<ol style="list-style-type: none"> 1. Cuchillas de corte flojas o descentradas 2. Cuchilla de corte dañada, desafilada o doblada 	<ol style="list-style-type: none"> 1. Apriete la cuchilla y el husillo. Centre la cuchilla. 2. Reemplace la cuchilla.
Tractor no abona el césped	<ol style="list-style-type: none"> 1. La velocidad del motor es demasiado lenta. 2. Pasto mojado. 3. Césped excesivamente alto. 4. Cuchilla desafilada. 	<ol style="list-style-type: none"> 1. Coloque el control del acelerador en la posición FAST (velocidad rápida, representada por una liebre). 2. No procese abono cuando el pasto está mojado. 3. Corte una vez a una altura de corte elevada y luego vuelva a realizar el corte a la altura deseada, o siga una ruta de corte más estrecha. 4. Afíle o cambie la cuchilla.
Corte irregular	<ol style="list-style-type: none"> 1. La plataforma no está correctamente nivelada. 2. Cuchilla desafilada. 3. Presión de neumáticos desigual. 	<ol style="list-style-type: none"> 1. Haga un ajuste de la plataforma de lado a lado. 2. Afíle o cambie la cuchilla. 3. Verifique la presión de los cuatro neumáticos.

MANUEL DE L'UTILISATEUR

Tracteur de pelouse à moteur avant

Identification du produit

Avant de préparer et d'utiliser votre appareil neuf, veuillez localiser la plaque signalétique et reporter les renseignements dans la section à droite. La plaque se trouve sous le support du siège. Soulevez le siège pour la trouver. Ces renseignements sont nécessaires lorsque vous cherchez de l'aide technique, soit sur notre site Web, soit auprès de notre service à la clientèle ou du concessionnaire agréé de votre région.

NUMÉRO DE MODÈLE

--	--	--	--	--	--	--	--	--	--	--

NUMÉRO DE SÉRIE

--	--	--	--	--	--	--	--	--	--	--

Table des matières

<i>Consignes de sécurité importantes</i>	2	<i>Entretien et réparation</i>	17
<i>Assemblage</i>	7	<i>Dépannage</i>	24
<i>Utilisation</i>	11	<i>Pièces/garantie</i>	Voir document annexe

▲ AVERTISSEMENT

Lisez attentivement les consignes de sécurité et les instructions de montage et de fonctionnement avant d'utiliser votre appareil afin d'éviter de vous blesser.

▲ AVERTISSEMENT

Proposition 65 de la Californie


Les gaz d'échappement du moteur ainsi que certains éléments de vos appareils motorisés contiennent des substances considérées par l'État de Californie comme étant cancérigènes et pouvant provoquer des anomalies congénitales ainsi que d'autres effets nuisibles à la reproduction.

Les bornes, les cosses de batterie et les accessoires connexes contiennent du plomb et des composés de plomb, produits chimiques considérés par l'État de Californie comme cancérigènes et provoquer des anomalies congénitales ainsi que d'autres effets nuisibles à la reproduction. Lavez-vous les mains après toute manipulation.

NOTE : Ce manuel est commun à plusieurs modèles dont les caractéristiques peuvent différer. Certaines caractéristiques décrites dans ce manuel peuvent ne pas s'appliquer à tous les modèles. Votre appareil peut différer du modèle illustré.

CONSIGNES DE SÉCURITÉ

AVERTISSEMENT

 Les consignes importantes sont précédées de ce symbole. Si vous ne respectez pas ces consignes, vous pourriez vous blesser grièvement ou causer des dommages. Veuillez lire et respecter toutes les consignes de ce manuel avant d'utiliser cet appareil afin d'écartier tout risque d'accident et de blessure. Lorsque vous voyez ce symbole, **RESPECTEZ L'AVERTISSEMENT !**

DANGER

Cet appareil doit être utilisé conformément aux consignes de ce manuel. Comme pour tout type d'équipement motorisé, la négligence ou une erreur de la part de l'utilisateur peut provoquer des blessures nécessitant une amputation des doigts, des mains ou des pieds ou encore projeter des objets. Il est donc impératif de respecter scrupuleusement les consignes de sécurité énoncées.

Utilisation générale

1. Veuillez lire attentivement toutes les instructions indiquées sur l'appareil et dans les manuels avant d'assembler et d'utiliser ce dernier. Conservez ce document en lieu sûr pour pouvoir le relire ou commander des pièces de rechange.
2. Familiarisez-vous avec les commandes et le fonctionnement de votre appareil avant de vous en servir. Vous devez surtout savoir comment l'arrêter et débrayer les commandes rapidement.
3. L'âge minimum pour pouvoir utiliser ce tracteur est de 14 ans. Si vous souhaitez permettre à des enfants de plus de 14 ans de tondre la pelouse, lisez d'abord les consignes de sécurité et d'utilisation avec eux, montrez-leur comment faire et exigez qu'un adulte soit présent en tout temps.
4. Ne prêtez votre tracteur qu'à des adultes responsables, qui savent s'en servir.
5. Soyez prudent et faites preuve de bon sens en tout temps : ce manuel ne peut couvrir toutes les situations susceptibles de survenir lorsque vous utilisez ce tracteur. Si vous avez besoin d'aide, communiquez avec notre service à la clientèle.
6. La durée de vie moyenne de votre tracteur est de sept (7) ans selon la Commission sur la sécurité des produits de consommation (États-Unis Consumer Products Safety Commission) et l'Agence américaine de protection de l'environnement (U.S. Environmental Protection Agency). À ce terme, faites impérativement vérifier les mécanismes et dispositifs de sécurité tous les ans par un centre de service agréé. Vous risquez un accident grave voire mortel si vous ne le faites pas.

Avant d'utiliser le tracteur

1. Examinez soigneusement la pelouse avant de tondre. Ramassez les pierres, brindilles, fils, os, jouets et autres objets qui pourraient être projetés ou sur lesquels vous pourriez trébucher. Les objets projetés peuvent infliger de graves blessures.
2. Pour éviter tout accident à cause des lames ou d'une projection, ne permettez à personne de s'approcher à moins de 23 m (75 pi). Ne permettez à personne de s'approcher de la zone de travail. Coupez le moteur dès que quelqu'un s'approche de trop près.
3. Ne dirigez jamais le côté où sont éjectés les débris d'herbe vers d'autres personnes.
4. Protégez impérativement vos yeux des projections lorsque vous tondez ou effectuez un réglage ou une réparation car vous risquez de graves blessures.
5. Portez des chaussures robustes à semelles épaisses, de préférence à embout d'acier, et des vêtements couvrants et bien ajustés et évitez les bijoux. Ne tondez jamais pieds nus ou en sandales.
6. Ne remplissez pas le réservoir à ras bord : l'essence se dilate en chauffant, alors laissez un espace d'environ un demi-pouce (13 mm) sous le col de remplissage.
7. Veillez à remettre correctement le bouchon du réservoir lorsque vous avez terminé.
8. N'utilisez que des pièces d'origine et des accessoires homologués. Si vous ajoutez un accessoire, lisez bien son manuel d'utilisation.

Utilisation

1. Statistiquement, les utilisateurs de tracteurs de 65 ans ou plus sont plus susceptibles d'avoir un accident avec leur appareil. Par conséquent, nous vous recommandons de bien évaluer votre aptitude à utiliser cet appareil sans vous mettre en danger ni risquer de blesser d'autres personnes.
2. Débrayez les lames et serrez le frein de stationnement avant de démarrer le tracteur.
3. N'approchez pas les doigts ou les pieds des lames ou même du dessous du plateau de coupe. Une lame en mouvement peut infliger de graves blessures pouvant aller jusqu'à la perte d'un membre.
4. Faites attention aux trous, ornières, bosses, roches et autres objets ou passages dangereux. Prenez garde car le tracteur pourrait se renverser en passant dessus. L'herbe haute peut camoufler des obstacles.
5. Calculez votre trajectoire de façon à éviter de projeter les brins coupés vers la rue, le trottoir, les passants, etc. Les débris peuvent rebondir sur les murs ou autres obstacles et vous atteindre.
6. Calculez bien la hauteur libre avant de vous engager sous des branches basses, des fils électriques ou dans tout autre passage réduit car vous pourriez vous cogner ou tomber du siège et vous blesser grièvement.
7. Ne laissez jamais le tracteur en marche sans surveillance. Arrêtez toujours l'appareil, débrayez les lames, engagez le frein de stationnement et retirez la clé de contact.
8. Arrêtez le moteur, serrez le frein de stationnement et attendez l'arrêt complet de la lame avant de retirer le bac récupérateur, de déboucher la goulotte ou d'effectuer un réglage ou une réparation.
9. Cet appareil est conçu pour une utilisation non-professionnelle. Il peut tondre un gazon de 25 cm (10 pouces) de haut au maximum. Il n'est pas fait pour tondre les hautes herbes (par ex. dans un pré) ou pour déchiqueter des tas de feuilles mortes. Des débris végétaux secs peuvent s'accumuler sous le plateau de coupe et provoquer un incendie s'ils atteignent le tuyau d'échappement.
10. Reculez lentement. Regardez toujours derrière vous et par terre avant et pendant la marche arrière pour éviter de renverser quelqu'un.
11. Ne laissez pas d'autres personnes monter sur le tracteur lorsque le moteur est en marche.
12. Ne vous approchez pas à moins de 3 mètres (10 pieds) des rebords surélevés, des fossés, des remblais ou des rives. Vous risquez d'y tomber si une roue se retrouve dans le vide ou si le sol s'effondre sous le poids de l'appareil.
13. Il est dangereux d'utiliser ce tracteur sans son déflecteur d'éjection, ou avec un déflecteur endommagé.
14. Il est dangereux d'utiliser ce tracteur sans son déflecteur d'éjection ou sans un sac à herbe.
15. Attention : les bacs récupérateurs et autres accessoires affectent l'équilibre du tracteur. Suivez toujours la notice d'utilisation du fabricant de l'outil.
16. Débrayez les lames dès que vous cessez de tondre et avant de vous engager sur le trottoir, sur la route ou sur du gravier.

CONSIGNES DE SÉCURITÉ

17. Si vous devez circuler en bordure d'une route ou la traverser, faites attention à la circulation. Ne circulez pas sur la voie publique.
18. Tondez en plein jour ou avec un éclairage artificiel adéquat.
19. N'utilisez pas le tracteur lorsque vous êtes sous l'empire de la boisson, de la drogue ou d'un médicament.
20. Ralentissez avant d'entamer un virage. N'effectuez pas de gestes brusques, évitez les manœuvres abruptes et n'allez pas trop vite.
21. Ne touchez pas le silencieux et le moteur, car ils deviennent chauds et pourraient vous brûler. Laissez le moteur refroidir pendant cinq minutes avant d'effectuer un réglage ou une réparation.
22. Ne laissez jamais le moteur tourner dans un lieu fermé ou mal aéré en raison de la présence de monoxyde de carbone, un gaz inodore très dangereux, dans les gaz d'échappement.
5. Ne tondez pas si la pelouse est mouillée, car elle devient très glissante.
6. N'utilisez pas le tracteur si sa traction, sa stabilité ou sa conduite sont remises en question. Ses roues peuvent glisser même lorsque l'appareil est à l'arrêt.
7. Évitez d'avoir à démarrer ou à vous arrêter au beau milieu d'une pente. Ne changez pas de vitesse ou de direction brusquement, tournez lentement et prudemment.
8. Attention : les bacs récupérateurs et autres accessoires affectent l'équilibre de l'appareil. N'utilisez pas de bac récupérateur sur une pente supérieure à 10° (17 %).
9. N'essayez jamais de stabiliser le tracteur en posant le pied à terre.
10. N'allez pas trop vite et prenez votre temps. Ne changez pas de vitesse ou de direction brusquement car l'avant de l'appareil peut lever d'un seul coup au point de se retourner complètement, ce qui est extrêmement dangereux pour vous.

Précautions relatives aux enfants

1. Redoublez de vigilance si vous avez des enfants. Ces derniers aiment bouger, ils peuvent se déplacer à tout moment à votre insu et ils sont souvent fascinés par les tracteurs sans se rendre compte du danger, ce qui peut provoquer de très graves accidents.
2. Les enfants doivent être sous la surveillance d'un adulte autre que l'utilisateur de l'appareil et ne doivent pas s'approcher de la zone de travail. Coupez le moteur dès que quelqu'un s'approche de trop près.
3. Ne laissez pas les enfants monter sur le tracteur lorsque le moteur est en marche, même si les lames sont débrayées, car ils pourraient vous gêner, vous déconcentrer ou encore tomber et se blesser grièvement. Des enfants qui ont déjà monté sur le tracteur peuvent s'approcher pour un autre tour peuvent être écrasés par l'appareil.
4. Restez vigilant et arrêtez le tracteur dès qu'ils s'approchent.
5. Avant de reculer, retournez-vous pour vérifier soigneusement qu'il n'y a personne derrière le tracteur.
6. Soyez particulièrement vigilant à l'abord de virages masqués, portails, buissons, arbres, etc. desquels les enfants peuvent surgir d'un coup.
7. L'âge minimum pour pouvoir utiliser ce tracteur est de 14 ans. Si vous souhaitez permettre à des enfants de plus de 14 ans de tonde la pelouse, lisez d'abord les consignes de sécurité et d'utilisation avec eux, montrez-leur comment faire et exigez qu'un adulte soit présent en tout temps.
8. Sécurisez l'appareil pour qu'aucun enfant ne l'utilise sans autorisation car ce n'est pas un jouet. Informez vos enfants qu'il est dangereux d'utiliser le tracteur et qu'il ne faut pas s'en approcher.
9. Interdisez aux enfants de s'approcher du moteur en marche ou encore chaud ou du silencieux car ils risquent de se brûler.
10. Ne laissez jamais la clé de contact sur le tracteur lorsque vous ne vous en servez pas afin que vos enfants ne puissent pas démarrer le moteur. Gardez la clé dans un endroit où les enfants n'ont pas accès.

Utilisation sur une pente

1. Dans les pentes, les accidents sont plus fréquents et souvent plus graves. Vous devez donc redoubler de prudence. Ne vous engagez pas sur une pente si vous ne vous sentez pas à l'aise ou si elle est trop raide pour la remonter à reculons.
2. Par mesure de sécurité, mesurez toute pente à tonde avec l'inclinomètre de ce manuel avant de vous y engager avec le tracteur. Utilisez aussi un dispositif de mesure pour déterminer la pente avant de tonde. Les applications pour téléphone peuvent être utilisées pour mesurer les pentes. Évitez impérativement les pentes dont l'inclinaison est supérieure à 15° car les risques d'accident grave y sont très élevés.
3. Ne tondez pas sur des pentes dont l'inclinaison est supérieure à 15° (25 %).
4. Ne tondez pas perpendiculairement à la pente. Tondez dans le sens de la pente, mais jamais dans une pente de plus de 15° (25 %). Tondez lentement et ne tournez pas brusquement.

Essence

1. Faites très attention lorsque vous manipulez de l'essence. Ce liquide est très inflammable et dégage des vapeurs explosives. Une simple éclaboussure sur la peau ou les vêtements peut s'enflammer et causer de graves brûlures. Nettoyez immédiatement toute éclaboussure sur la peau et changez de vêtements.
2. Éteignez cigares, cigarettes, pipes et tout autre objet susceptible de s'enflammer.
3. N'utilisez que des bidons d'essence homologués.
4. N'ouvrez pas le réservoir si le moteur est allumé ou encore chaud. Laissez le moteur refroidir pendant au moins cinq minutes avant de faire le plein.
5. Ne faites jamais le plein dans un lieu fermé.
6. N'entreposez jamais l'appareil ou les bidons d'essence à proximité d'une flamme nue, d'étincelles ou d'une veilleuse (chauffe-eau, radiateur, sècheuse, appareils fonctionnant au gaz).
7. En cas de débordement, essuyez l'essence sur le moteur et sur l'appareil. Essuyez les éclaboussures d'essence et d'huile et éliminez les débris souillés, puis changez le tracteur de place et attendez cinq minutes avant de redémarrer le moteur.
8. Pour limiter les risques d'incendie, retirez les brins d'herbe, feuilles et autres débris accumulés sur le moteur. Consultez la sous-section Nettoyage de la buse de la section Entretien.
9. Cet appareil est conçu pour une utilisation non-professionnelle. Il peut tonde un gazon de 25 cm (10 po) de haut au maximum. Il n'est pas fait pour tonde les hautes herbes (par ex. dans un pré) ou pour déchiqueter des tas de feuilles mortes. Des débris végétaux secs peuvent s'accumuler sous le plateau de coupe et provoquer un incendie s'ils atteignent le tuyau d'échappement.
10. Ne remplissez pas le réservoir à ras bord : l'essence se dilate en chauffant, alors laissez un espace d'environ un demi-pouce sous le col de remplissage.
11. Veillez à remettre correctement le bouchon du réservoir lorsque vous avez terminé. N'utilisez pas le tracteur sans bouchon de réservoir d'essence.
12. Laissez refroidir l'appareil pendant au moins cinq minutes avant de le ranger ou de faire le plein.
13. Ne remplissez jamais les bidons à l'intérieur d'un véhicule ou encore à l'arrière d'un camion ou d'une remorque à plancher de plastique. Placez toujours les bidons par terre et loin de votre véhicule pour les remplir.
14. Déchargez l'appareil et faites le plein par terre dans la mesure du possible. Si cela n'est pas possible, faites le plein avec un bidon plutôt que directement du pistolet distributeur.
15. Posez le pistolet du distributeur sur le rebord du réservoir ou du bidon pour faire le plein et ne le bloquez pas en position ouverte.

CONSIGNES DE SÉCURITÉ

Remorquage

1. Les rampes doivent être bien attachées à la remorque lorsque vous chargez ou déchargez le tracteur.
2. Soyez très prudent lorsque vous chargez ou déchargez l'appareil d'une remorque ou d'un camion. N'allumez pas le moteur pour charger ou décharger plus facilement. Vous risquez de renverser le tracteur en chutant de la rampe et de vous blesser grièvement. Chargez ou déchargez votre tracteur moteur éteint.
3. Réglez le plateau de coupe à la position la plus haute.

Remorquage

1. Ne remorquez pas de charges supérieures à 113 kg (250 lb). Le poids exercé sur l'attache de remorque ne doit pas dépasser 22 kg (50 lb).
2. N'attachez la remorque qu'au point d'attache prévu à cet effet.
3. Ne laissez personne monter sur l'équipement remorqué, en particulier des enfants.
4. Ne remorquez pas de charges lourdes sur des pentes supérieures à 5° (9 %). Attention lorsque vous remorquez un accessoire dans une pente : la traction des pneus est moindre et il est plus facile de perdre le contrôle du tracteur.
5. Faites attention, car le tracteur peut effectuer des virages très serrés. Si vous remorquez un accessoire, vous risquez une mise en portefeuille. Prenez des tournants larges !
6. N'allez pas trop vite et n'attendez pas le dernier moment pour freiner ou vous arrêter.

Entretien

1. Gardez le tracteur en bon état de fonctionnement. Vous devez remplacer les pièces usées ou endommagées avant de vous servir du tracteur.
2. Un accident grave ou fatal peut résulter d'une modification du moteur, quelle qu'elle soit. Toute modification apportée au régulateur de vitesse peut provoquer l'emballement du moteur et accélérer dangereusement sa vitesse en état de marche. Ne modifiez jamais cet élément. Ne modifiez pas le réglage du régulateur de vitesse et ne faites pas tourner le moteur à une vitesse excessive. Le régulateur maintient le moteur au meilleur régime.
3. Les lames sont très tranchantes et doivent être manipulées prudemment. Enveloppez-les dans un chiffon ou portez des gants.
4. Le liquide des pompes hydrauliques et des systèmes d'alimentation par injection des tracteurs est sous pression. Le liquide hydraulique qui s'échappe sous haute pression peut pénétrer dans la peau et entraîner de graves blessures. Si un tel liquide entre en contact avec votre peau, obtenez immédiatement des soins médicaux. Tenez les mains et toute autre partie du corps éloignées des trous et des buses; le liquide hydraulique peut s'échapper. S'il y a une fuite, faites inspecter le tracteur dans un centre de service agréé.
5. Avant de nettoyer, de réparer ou d'examiner votre tracteur, vérifiez que les lames et autres pièces mobiles sont à l'arrêt. Arrêtez le moteur, retirez la clé de contact, débranchez le fil de bougie et mettez-le à la masse contre le moteur pour empêcher un démarrage accidentel.
6. Vérifiez régulièrement que les lames sont immobilisées dans les cinq (5) secondes qui suivent le débrayage des lames. Consultez le calendrier d'entretien dans la section Entretien et réparation de ce manuel. Vérifiez avec un chronomètre. Si ce n'est pas le cas, confiez votre tracteur à un concessionnaire agréé pour y remédier.
7. Surveillez également le système de verrouillage de sécurité selon le calendrier d'entretien dans la section Entretien et réparation de ce manuel. Si ce système ne fonctionne plus correctement, faites-le réparer par d'un concessionnaire agréé.

8. Ne modifiez jamais le système de verrouillage de sécurité et les autres dispositifs de sécurité et vérifiez régulièrement qu'ils fonctionnent bien.
9. Vérifiez le serrage des lames et des boulons de montage du moteur selon le calendrier d'entretien. Pensez à vérifier l'état des lames. Si elles sont émoussées, tordues ou fissurées, Ne les remplacez que par des lames d'origine.
10. Vérifiez le serrage des lames et des boulons de montage du moteur selon le calendrier d'entretien. Pensez à vérifier l'état des lames. Si elles sont émoussées, tordues ou fissurées, Ne les remplacez que par des lames d'origine.
11. Attention, pour obtenir le meilleur de votre tondeuse et éviter les accidents dus à des pièces non conformes aux spécifications du fabricant, assurez-vous que tous les écrous, boulons et vis sont bien serrés. Consultez le calendrier d'entretien pour plus d'informations concernant l'entretien de l'appareil.
12. Si vous heurtez un objet, arrêtez immédiatement le moteur, débranchez le fil de bougie et mettez-le à la masse contre le moteur. Vérifiez l'état du tracteur et ne redémarrez pas s'il est endommagé.
13. Arrêtez impérativement le moteur avant d'effectuer un réglage ou une réparation.
14. Quand le sac récupérateur ou le couvercle d'éjection sont usés ou cassés, les lames peuvent se trouver exposées, ce qui est dangereux et augmente le risque de blessures à cause de projections. Par mesure de sécurité, vérifiez souvent ces éléments. Si nécessaire, utilisez des pièces d'origine pour les remplacer.
15. Prenez bien soin des étiquettes de sécurité et d'instructions. Remplacez-les au besoin.
16. Respectez la législation sur l'élimination des déchets liquides (essence, huile, etc.) afin de préserver l'environnement.

Avis concernant les émissions

Les moteurs certifiés conformes aux normes d'émission de la Californie et de l'Agence américaine de protection de l'environnement (EPA) pour équipements hors route (Small Off Road Equipment) sont conçus pour fonctionner à l'essence ordinaire sans plomb et peuvent être dotés des dispositifs antipollution suivants : modification du moteur (EM) et convertisseur catalytique à trois voies (TWC).

Certains modèles sont équipés de conduites et réservoirs à perméation faible pour limiter les émissions par évaporation. En Californie, certains modèles sont équipés d'un réservoir à charbon actif. Si vous désirez savoir de quels dispositifs votre modèle est équipé, contactez notre service de soutien technique.

Pare-étincelles

AVERTISSEMENT

Ce tracteur est équipé d'un moteur à combustion interne et ne doit pas être utilisé sur un terrain boisé non entretenu ou sur un terrain couvert de broussailles ou d'herbe à moins que le système d'échappement du moteur ne soit muni d'un pare-étincelles, conformément aux lois et règlements provinciaux ou locaux (le cas échéant).




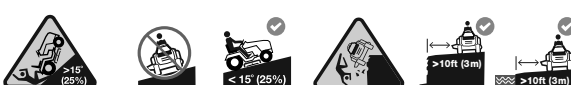


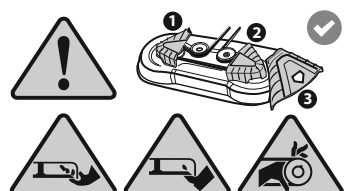
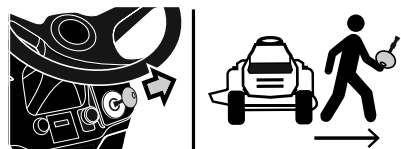
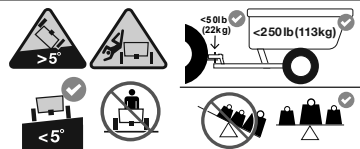
L'utilisateur doit maintenir le bon fonctionnement du pare-étincelles, le cas échéant. Dans l'état de la Californie, l'application des énoncés ci-dessus est exigée en vertu de la loi (article 4442, « California Public Resource Code »). Il est possible que d'autres États aient des lois similaires. Les lois fédérales sont en vigueur sur les terres fédérales.

Vous pouvez vous procurer un pare-étincelles pour le silencieux auprès d'un centre de service agréé ou en contactant le service à la clientèle, B. P. 361131 Cleveland, Ohio 44136-0019.

CONSIGNES DE SÉCURITÉ

Symboles de sécurité

Vous trouverez ci-dessous les symboles de sécurité qui peuvent se trouver sur votre appareil.

Symbole	Description
 <p>OPESymbol.com</p>	<p>AVERTISSEMENT – LISEZ LE MANUEL DE L'UTILISATEUR Veuillez lire toutes les consignes de sécurité et toutes les instructions de ce manuel avant d'utiliser l'appareil afin d'écartier tout risque d'accident et de blessure. Conservez ce manuel en lieu sûr pour pouvoir le consulter ultérieurement et pour pouvoir commander des pièces de rechange. Balayez le code QR avec un téléphone pour avoir plus d'informations sur les avertissements. Le site www.OPESymbol.com offre aussi des renseignements à ce sujet.</p>
	<p>AVERTISSEMENT – RISQUE D'OBJETS PROJÉTÉS Ne permettez à personne de s'approcher à moins de 23 m (75 pi) du tracteur en marche. Ramassez les pierres, brindilles, fils, os, jouets et autres objets qui pourraient être projetés ou sur lesquels vous pourriez trébucher. Il est dangereux d'utiliser ce tracteur sans son déflecteur d'éjection, ou avec un déflecteur endommagé.</p>
	<p>AVERTISSEMENT – RISQUE D'ÉCRASEMENT OU DE LAME TRANCHANTE Avant de reculer, retournez-vous pour vérifier qu'il n'y a personne derrière le tracteur. Ne laissez pas les enfants monter sur le tracteur lorsque le moteur est en marche, même si les lames sont débrayées. Les enfants doivent être sous la surveillance d'un adulte autre que l'utilisateur de l'appareil et ne doivent pas s'approcher de la zone de travail. Coupez le moteur dès que quelqu'un s'approche de trop près.</p>
	<p>AVERTISSEMENT – RISQUE DE RENVERSEMENT N'utilisez pas ce tracteur sur une pente supérieure à 15° (25 %). Travaillez de haut en bas, et non à travers la pente. Ne tondez pas perpendiculairement à la pente et jamais dans une pente de plus de 15° (25 %). Ne vous approchez pas à moins de 3 m (10 pi) des rebords surélevés, des fossés, des remblais ou des rives.</p>
	<p>AVERTISSEMENT – RISQUE D'INCENDIE Ce tracteur est conçu pour une utilisation non-professionnelle. Il peut tonde un gazon de 25 cm (10 pouces) de haut au maximum. Il n'est pas fait pour tonde les hautes herbes (par ex. dans un pré) ou pour déchiqueter des tas de feuilles mortes. Laissez l'appareil refroidir pendant au moins cinq minutes avant de faire le plein ou de le remiser.</p>
	<p>AVERTISSEMENT – RISQUE D'AMPUTATION N'approchez pas le pied ou la main ni des lames, ni du dessous du plateau de coupe : vous pourriez vous blesser grièvement, au point de subir une amputation.</p>
	<p>AVERTISSEMENT – RISQUE D'AMPUTATION N'approchez pas le pied ou la main ni des lames, ni du dessous du plateau de coupe : vous pourriez vous blesser grièvement, au point de subir une amputation. Gardez les dispositifs de sécurité (protections, interrupteurs, etc.) en place et en bon état de fonctionnement. Vous pourriez vous blesser avec les courroies et la fusée de la lame.</p>
	<p>AVERTISSEMENT – RETRAIT DE LA CLÉ DE CONTACT Avant de descendre du tracteur, débrayez les lames, engagez le frein de stationnement, serrez le frein à main, coupez le moteur et retirez la clé de contact. Arrêtez le moteur et retirez la clé de contact si vous laissez l'appareil sans surveillance.</p>
	<p>AVERTISSEMENT – RISQUE DE BLESSURES PENDANT LE REMORQUAGE Ne remorquez pas de charges supérieures à 113 kg (250 lb). Le poids exercé sur l'attache de remorque ne doit pas dépasser 22 kg (50 lb). Ne laissez personne monter sur l'équipement remorqué, en particulier des enfants. Ne remorquez pas de charges lourdes sur des pentes supérieures à 5° (9 %). Attention lorsque vous remorquez un accessoire dans une pente : la traction des pneus est moindre et il est plus facile de perdre le contrôle du tracteur. N'allez pas trop vite et n'attendez pas le dernier moment pour freiner ou vous arrêter.</p>

⚠ AVERTISSEMENT

Il est de votre responsabilité de lire attentivement les avertissements et les instructions figurant dans ce manuel et sur l'appareil, de les respecter et de les faire respecter par tous les utilisateurs de l'appareil.

CONSERVEZ CES INSTRUCTIONS !

INCLINOMÈTRE

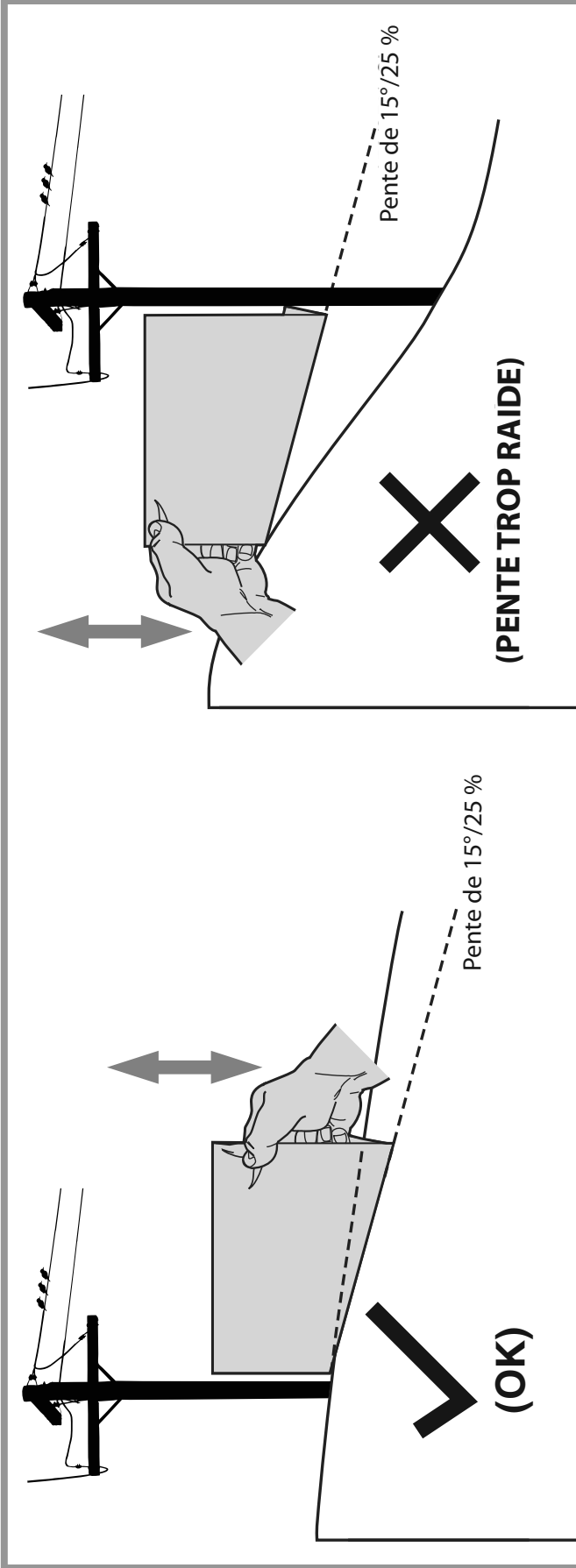


Figure 1

Figure 2

Pour une utilisation sans danger, utilisez l'inclinomètre pour établir si la pente est trop raide !

Pour vérifier l'angle de la pente, procédez comme suit :

1. Enlevez cette page et pliez-la en suivant la ligne pointillée.
2. Repérez un objet vertical sur la pente ou à l'arrière de la pente (un poteau, un bâtiment, une clôture, un arbre, etc.).
3. Alignez un côté de l'inclinomètre avec l'objet (voir Figure 1 et Figure 2).
4. Réglez l'inclinomètre vers le haut ou vers le bas jusqu'à ce que le coin gauche touche la pente (voir Figure 1 et Figure 2).
5. S'il y a un écart sous l'inclinomètre, la pente est trop raide pour une utilisation sans danger (voir Figure 2).



AVERTISSEMENT ! Les pertes de contrôle et les renversements se produisent souvent sur des pentes et peuvent causer de graves blessures. N'utilisez pas cet appareil sur des pentes supérieures à 15 degrés. Travailler sur un terrain en pente demande des précautions supplémentaires. Si vous ne pouvez pas reculer sur la pente ou si vous ne vous sentez pas à l'aise de le faire, n'y travaillez pas. Tondez à travers la pente, et non de haut en bas.

ASSEMBLAGE

Note : Ce manuel est commun à plusieurs modèles. Les caractéristiques peuvent varier selon le modèle. Certaines caractéristiques décrites dans ce manuel peuvent ne pas s'appliquer à tous les modèles. Votre appareil peut différer du modèle illustré.

Note : Toutes les mentions de droite, gauche, avant et arrière ne s'entendent qu'à partir du poste de conduite. Les exceptions seront spécifiées, s'il y a lieu.

Préparation

Déplacement manuel de l'appareil

- Engagez la tige de dérivation de la transmission pour déplacer le tracteur sans démarrer le moteur. La tige de dérivation de la transmission est située à l'arrière du tracteur, sur le châssis. Tirez la tige de dérivation pour l'engager. Voir Figure 1.

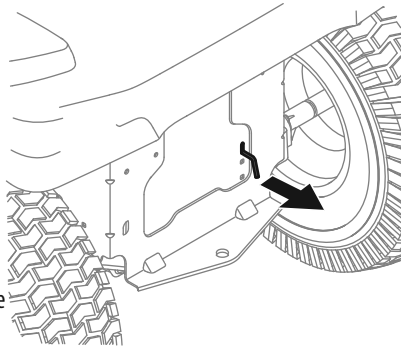


Figure 1

NOTE : Si le tracteur ne peut pas être déplacé ou s'il ne roule pas librement lorsqu'il est poussé, il est possible que la tige de dérivation ne soit pas complètement ressortie ou que le frein de stationnement soit engagé.

NOTE : La transmission NE s'engage PAS lorsque la tige de dérivation est engagée. Remplacez la tige dans sa position normale avant d'utiliser le tracteur de nouveau.

- Après avoir déplacé l'appareil, effectuez les étapes (a) et (b) dans l'ordre inverse pour désengager les deux tiges de dérivation. Voir Figure 1.

Installation du siège (le cas échéant)

Procédez comme suit pour installer le siège :

NOTE : Le siège est livré avec l'interrupteur du siège et son support déjà installés.

- Coupez toutes les courroies de fixation qui fixent le siège et les barres de conduite à l'appareil. Enlevez tout le matériel d'emballage.

NOTE : Veillez à ne pas couper le faisceau de câbles qui relie l'interrupteur du siège au siège.

- Retirez les deux boulons à épaulement (a) et les deux écrous autobloquants (b) du plateau du siège. Voir Figure 2.
- Faites basculer le siège vers l'arrière en position de conduite et placez un tournevis Phillips dans un des trous de fixation du siège et du support pour les aligner.

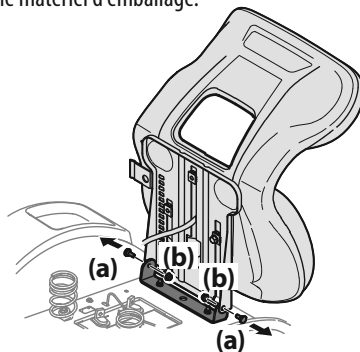


Figure 2

- Fixez un côté du siège au support avec les boulons à épaulement (a) et les écrous autobloquants (b) retirés à l'étape 3. Retenez le siège pendant que vous enlevez le tournevis Phillips et que vous fixez l'autre côté. Prenez garde de ne pas coincer ou endommager le faisceau de câbles pendant que vous installez le siège. Voir Figure 3. Serrez à un couple de 9,5 à 11,6 N m (de 84 à 103 po-lb).

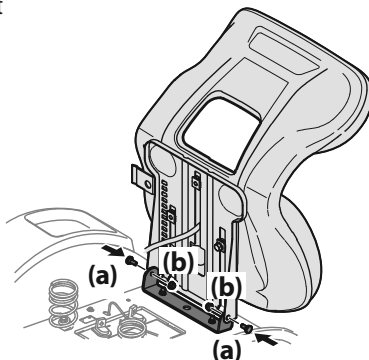


Figure 3

- Faites enclencher l'attache pour retenir l'excédent de fil à l'aile. Voir Figure 4.

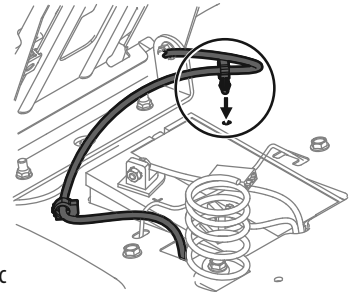


Figure 4

Installation de la bordure du capot (le cas échéant)

La bordure du capot (b) a trois (3) pattes d'alignement (a) qui doivent s'aligner avec les trous (c) sur le capot. Voir Figure 5.

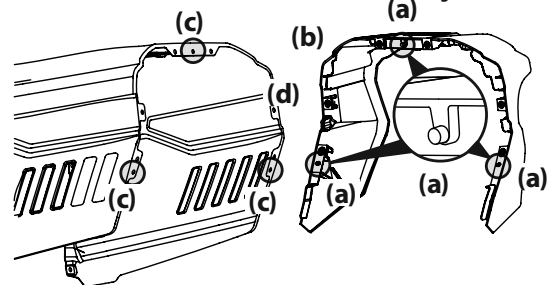


Figure 5

Placez la bordure (a) en alignant les pattes d'alignement avec les trous et fixez-la avec les six boulons (b) fournis. Voir Figure 8. Serrez à un couple de 102 po-lb à -124 po-lb (de 11,5 à 14 N m). Voir Figure 6.

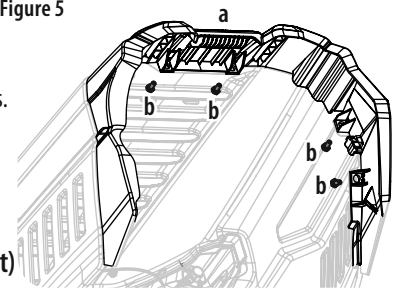


Figure 6

Installation du couvercle à pression de capot (le cas échéant)

- Pour installer le couvercle (a), alignez les trous du couvercle avec les pattes du capot. Voir Figure 7.
- Insérez les pattes dans les trous du couvercle et tirez vers l'arrière pour les enclencher.

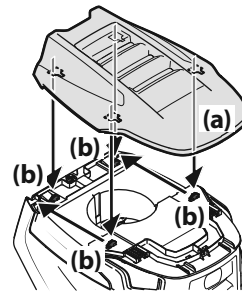
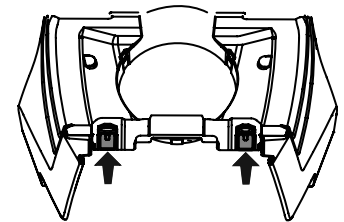


Figure 7



Couvercle non illustré

Figure 8

- Pour retenir le couvercle, poussez vers le haut les deux languettes de blocage à l'arrière du capot. Voir Figure 8.

Installation du couvercle à visser de capot (le cas échéant)

Note : Prenez garde de ne pas endommager le faisceau lorsque vous installez ce couvercle.

- Ouvrez le capot, puis placez le couvercle sur le haut du capot et alignez les trous.

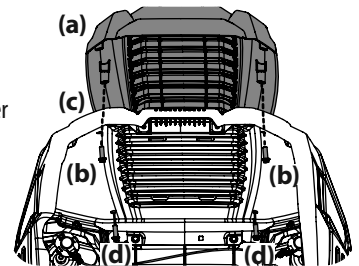


Figure 9

ASSEMBLAGE

2. Pour fixer le couvercle (a), placez les boulons par le dessous, serrez à la main les boulons (b) sur la partie arrière du capot avant de bien les serrer. Voir Figure 9.
3. Puis, alignez les trous du couvercle (a) avec ceux du capot (c) et vissez les deux boulons (d). Voir Figure 9.
4. Serrez les quatre boulons à un couple de 1,8 à 2,7 N m (de 16 à 24 po-lb).

Installation du déflecteur de ventilation (le cas échéant)

Note : Prenez garde de ne pas endommager le faisceau de phares lorsque vous installez le déflecteur de ventilation.

Pour installer le déflecteur (a) sur le capot (b) :

1. Insérez les pattes arrière (c). Voir Figure 10.
2. Puis, glissez les pattes avant (a) dans le déflecteur. Voir Figure 11.

Note : Les pattes arrière devraient se placer dans la partie creuse sur le haut du capot. Elles s'enclenchent du dessous du capot et dans la partie creuse.

Pressez sur le dessous du déflecteur de ventilation pour vous assurer qu'il est bien installé.

Placez le faisceau de phare (a) entre les deux guides (b) sur le devant du déflecteur. Voir Figure 12.

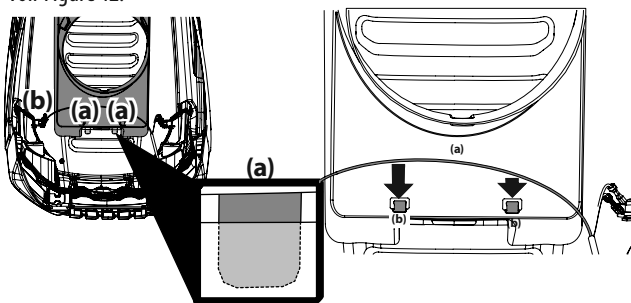


Figure 11

Figure 12

Installation du couvercle du tableau de bord (le cas échéant)

Pour installer le couvercle du tableau de bord (a), alignez les pattes (b) du couvercle (a) avec les trous sur la partie supérieure du tableau de bord. Voir Figure 13. Glissez les pattes (b) dans les trous de la partie supérieure et pressez sur le couvercle pour les enclencher.

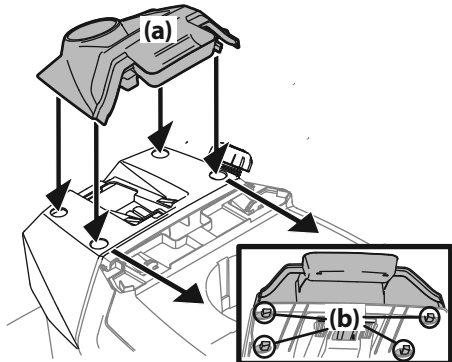


Figure 13

NOTE : Pressez sur la partie inférieure du couvercle (a) faisant face au poste du conducteur pour vous assurer que les pattes inférieures sont bien enclenchées.

Installation du volant de direction (le cas échéant)

La quincaillerie pour installer le volant de direction se trouve sous le capuchon du volant. Soulevez soigneusement le capuchon pour retirer la quincaillerie.

IMPORTANT ! N'utilisez pas d'outils de frappe pour installer ou retirer le volant, car cela peut causer un surcouple et endommager l'attache.

1. Placez les roues de l'appareil de sorte qu'elles pointent vers l'avant, puis placez le volant de direction (a) sur l'arbre de direction (d) en vous assurant que la ligne au milieu (b) du volant (a) pointe vers l'avant et que la partie plate du volant (c) soit face vers le siège. Voir Figure 14.

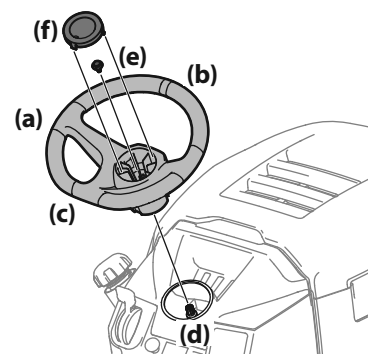


Figure 14

2. Fixez le volant de direction (a) avec le boulon hexagonal (e) qui se trouve sous le capuchon (f). Serrez le boulon à un couple de 24,4-29,8 N m (18 à 22 pi-lb).
3. Placez le couvercle du volant de direction (a) au centre du volant de direction (a) et poussez-le jusqu'à ce qu'il s'enclenche.

NOTE : Un enduit frein est appliqué sur le boulon (e) qui fixe le volant de direction (a). Si vous retirez le boulon, il est recommandé d'appliquer de l'enduit frein ou de remplacer le boulon (a).

Installation du pare-chocs avant (le cas échéant)

⚠ AVERTISSEMENT

Débrayez la prise de force, engagez le frein de stationnement et arrêtez le moteur du tracteur avant d'installer la lame à neige. Stationnez l'appareil sur une surface plane et solide avant d'installer l'accessoire ou de le retirer. Le système d'échappement et les surfaces environnantes sont chauds. Pour éviter tout risque de blessures, laissez l'appareil refroidir avant d'installer le grillage de protection ou de le retirer.

La quincaillerie pour l'installation du pare-chocs avant se trouve sur le pare-chocs.

1. Retirez les quatre boulons (a) du pare-chocs (b).
2. Placez les supports du pare-chocs à l'intérieur du châssis et fixez-les avec les boulons à bride (a). Voir Figure 15.

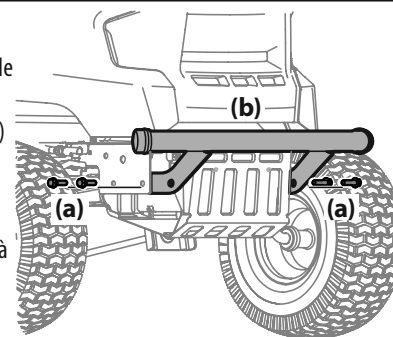


Figure 15

Installation du grillage de protection FastAttach^{MC} (le cas échéant)

1. Alignez le grillage de protection avec les attaches FastAttach^{MC} installées à l'étape 1 et faites insérer le grillage dans les attaches. Voir Figure 16.

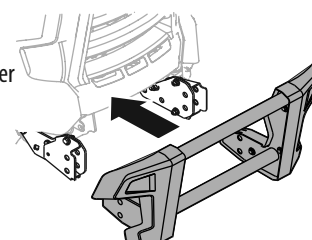


Figure 16

ASSEMBLAGE

- Insérez les goupilles de chaque côté du grillage de protection avant d'installer les deux goupilles fendues fournies dans le sachet de quincaillerie. Voir Figure 17.

Note : Soulevez légèrement le grillage pour faciliter l'installation des axes de chape.

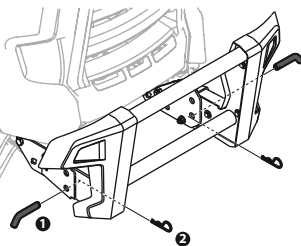


Figure 17

Déflecteur d'éjection du plateau de coupe

⚠ AVERTISSEMENT

N'utilisez pas le plateau de coupe si le déflecteur d'éjection n'est pas installé et placé en position abaissée.

Plateaux de coupe de 46 po

- Enlevez les clés qui sont attachées au support du déflecteur d'éjection.
- Retirez l'écrou autobloquant à bride et le boulon hexagonal du plateau de coupe.
- Placez le déflecteur d'éjection sur le plateau de coupe en insérant les pattes du déflecteur d'éjection dans les trous du plateau de coupe. Voir Figure 18.
- Glissez le déflecteur d'éjection vers l'arrière de l'appareil jusqu'à ce que le trou du boulon sur le déflecteur d'éjection s'aligne avec le trou du plateau de coupe. Voir Figure 18.
- Fixez le déflecteur d'éjection avec l'écrou autobloquant à bride et le boulon hexagonal retirés à l'étape 2. Serrez à un couple de 11,5 à 14 N m (102-124 po-lb). Voir Figure 9. Passez à la sous-section Réglage des roues de jauge du plateau.

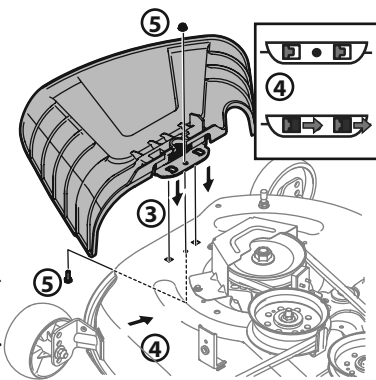


Figure 18

Plateaux de coupe de 42, 50 et 54 po

- Repérez le support qui retient le déflecteur d'éjection en position verticale à des fins d'expédition. Retirez le support du déflecteur d'éjection, si présent, avant d'utiliser l'appareil. Relevez le déflecteur d'éjection et maintenez-le dans cette position pour enlever le support. Abaissez le déflecteur d'éjection et jetez le support. Voir Figure 19.

Réglage des roues de jauge du plateau de coupe

NOTE : Les roues du plateau de coupe préviennent le dégazonnement de la pelouse. Ces roues ne doivent pas toucher le sol.

- Stationnez l'appareil sur une surface plane, préférentiellement asphaltée.
- Vérifiez la pression des pneus et réglez-la au besoin. La pression appropriée est indiquée sur le flanc du pneu.

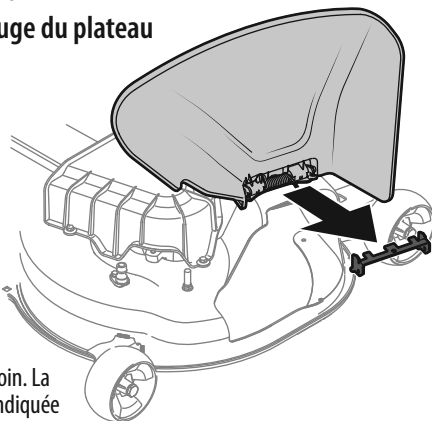


Figure 19

- Vérifiez que le plateau de coupe est de niveau latéralement et bien ajusté. Consultez la section Entretien pour plus d'informations sur la mise à niveau du plateau de coupe.
- Placez le levier de relevage du plateau à la position de coupe désirée.
- Vérifiez s'il y a trop de jeu ou de contact entre les roues de jauge avant et le sol.

Note : Les roues du plateau doivent être de 6,35-12,7 mm (¼ po à ½ po) au-dessus du sol. Procédez comme suit pour régler les roues:

- Placez le levier de relevage du plateau à la plus haute position.
- Retirez les écrous autobloquants (c) et les boulons à épaulement (d) qui fixent la roue avant (a) et la roue arrière (b) au plateau de coupe, puis enlevez les roues. Voir Figure 20.
- Placez le levier de relevage à la position de coupe désirée.
- Reposez le boulon à épaulement de chaque roue dans le trou approprié de sorte que la roue soit à environ 13 mm (½ po) du sol. Serrez chaque écrou autobloquant et boulon à 34-40 N m (25-30 pi-lb) avec une clé dynamométrique.

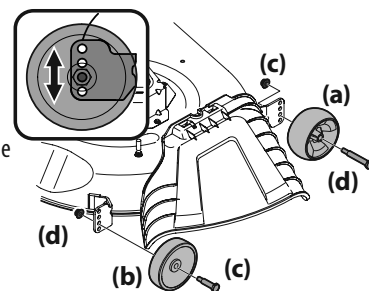


Figure 20

NOTE : Consultez la sous-section Réglage du plateau de coupe de la section Entretien et réparation de ce manuel pour plus d'instructions sur les différents réglages du plateau de coupe.

Informations sur la batterie

⚠ AVERTISSEMENT

AVERTISSEMENT DE LA PROPOSITION 65 DE LA CALIFORNIE : Les bornes et les cosses de batterie ainsi que les accessoires connexes contiennent du plomb et des composés de plomb, soit des produits chimiques reconnus par l'État de Californie comme cancérigènes et pouvant provoquer des anomalies congénitales ainsi que d'autres effets nuisibles à la reproduction. Lavez-vous les mains après toute manipulation.

⚠ AVERTISSEMENT

En cas d'éclaboussures accidentelles d'électrolyte dans les yeux ou sur la peau, rincez la zone affectée immédiatement avec de l'eau propre et froide. Obtenez immédiatement des soins médicaux.

Si l'électrolyte se répand sur vos vêtements, lavez-les à l'eau froide. Neutralisez ensuite l'électrolyte avec une solution d'ammoniac et d'eau ou une solution de bicarbonate de soude et d'eau.

Ne branchez (et ne débranchez) JAMAIS les pinces du chargeur de batterie lorsque le chargeur est sous tension, car cela peut provoquer des étincelles.

Gardez la batterie loin des flammes et des sources d'étincelles (cigarettes, allumettes, briquets). Les gaz produits pendant la charge sont inflammables.

Par mesure de précaution supplémentaire, chargez toujours la batterie dans un endroit aéré.

Prenez soin de protéger vos yeux, votre peau et vos vêtements lorsque vous manipulez une batterie.

Les batteries contiennent de l'acide sulfurique et peuvent dégager des gaz explosifs. Soyez très prudent lorsque vous manipulez une batterie. Gardez les batteries hors de portée des enfants.

⚠ ATTENTION

Branchez toujours le câble POSITIF (rouge) à sa borne avant le câble NÉGATIF (noir).

Note : La borne positive de la batterie est identifiée par POS (+). La borne négative de la batterie est identifiée par NEG (-).

ASSEMBLAGE

Branchement des câbles de la batterie

⚠ AVERTISSEMENT

Branchez toujours le câble positif (rouge) à la batterie avant de brancher le câble négatif (noir) pour éviter toute formation d'étincelles et toute blessure en cas de court-circuit causé par le contact des outils avec l'appareil.

Aux fins d'expédition, les deux câbles de batterie de votre appareil peuvent avoir été débranchés en usine. Procédez comme suit pour brancher les câbles de la batterie :

1. Retirez le protecteur en plastique, le cas échéant, de la borne positive. Connectez le raccord rouge à la borne positive (+) avec un boulon et un écrou. Voir Figure 21.
2. Retirez le protecteur en plastique, le cas échéant, de la borne négative et fixez le câble noir à la borne négative (-) avec un boulon (a) et un écrou (b). Voir Figure 21.
3. Remplacez le capuchon rouge en caoutchouc (c) sur la borne positive pour la protéger contre la corrosion.

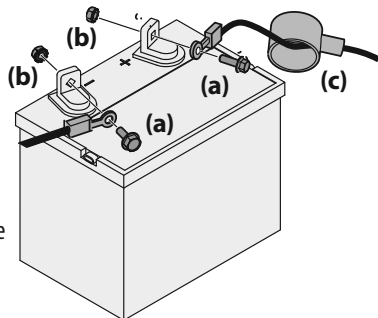


Figure 21

NOTE : Si la batterie est utilisée après la date indiquée sur la batterie, rechargez-la selon les instructions de la section Entretien et réparation de ce manuel avant d'utiliser l'appareil.

Entretien de la batterie

- La batterie est remplie d'électrolyte et scellée à l'usine. Cependant, même une batterie « sans entretien » demande un peu d'entretien de temps à autre pour assurer son cycle de vie complet.
- Vaporisez les bornes et les fils exposés avec un scellant approprié ou appliquez une mince couche de graisse ou de gelée de pétrole sur les bornes pour les protéger contre la corrosion.
- Assurez-vous que les câbles et les bornes de la batterie sont toujours propres et non corrodés.
- Évitez de faire basculer la batterie. L'électrolyte peut s'échapper de la batterie même si elle est scellée.

Remisage de la batterie

- Lorsque vous remisez l'appareil pour une longue période, débranchez le câble négatif de la batterie. Il n'est pas nécessaire de retirer la batterie.
- Toutes les batteries se déchargent pendant le remisage. Assurez-vous que l'extérieur de la batterie (surtout la partie supérieure) soit propre. Une batterie sale se décharge plus rapidement.
- La batterie doit être complètement chargée avant d'être remise. Une batterie déchargée gèle plus rapidement qu'une batterie chargée. Une batterie complètement chargée se conserve plus longtemps à des températures basses qu'à des températures élevées.
- Rechargez la batterie avant de vous en servir. L'appareil peut démarrer, mais le système de charge du moteur peut ne pas recharger la batterie complètement.

Démontage de la batterie

⚠ AVERTISSEMENT

Les bornes et les cosses de batterie ainsi que les accessoires connexes contiennent du plomb et des composés de plomb. Lavez-vous les mains après toute manipulation.

La batterie est située sous le châssis du siège. Pour retirer la batterie :

1. Enlevez la tige de retenue de la batterie. Pour ce faire, pressez l'extrémité recourbée pour la faire sortir de la patte sur l'aile à droite de la batterie. Faites pivoter la tige de retenue de la batterie (b) vers le haut et retirez la batterie. Voir Figure 22.

2. Retirez la vis d'assemblage et l'écrou qui fixent le câble négatif (noir) à la borne négative (indiquée NÉG). Placez le câble loin de la borne négative.
3. Retirez la vis d'assemblage et l'écrou qui fixent le câble positif (rouge) à la borne positive de la batterie (indiquée POS).
4. Enlevez la batterie avec précaution.
5. Pour installer la batterie, suivez les étapes ci-dessus dans l'ordre inverse.

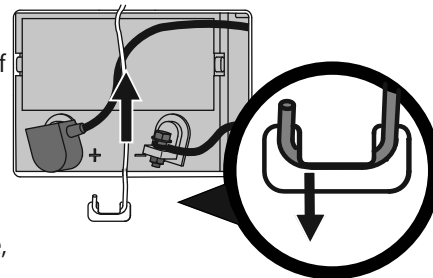


Figure 22

Recharge de la batterie

Si l'appareil a été remisé pendant une longue période, vérifiez la batterie et rechargez-la au besoin.

- Le voltmètre, ou le testeur de charge, doit indiquer 12,6 V (DC) ou plus aux deux bornes de batterie. Voir Figure 23.
- Rechargez la batterie avec un chargeur de batterie de 12 V réglé à 10 A au MAXIMUM.

Lecture du voltmètre	État de charge	Temps de charge
12,7	100,%	Charge complète
12,4	75,%	90 min.
12,2	50,%	180 min.
12,0	25%	280 Min.

Figure 23

Réglage du siège

Pour régler la position du siège, tirez le levier de réglage du siège vers le haut. Glissez le siège vers l'avant ou vers l'arrière à la position désirée, puis relâchez le levier de réglage. Assurez-vous que le siège est verrouillé avant d'utiliser l'appareil. Voir Figure 24.

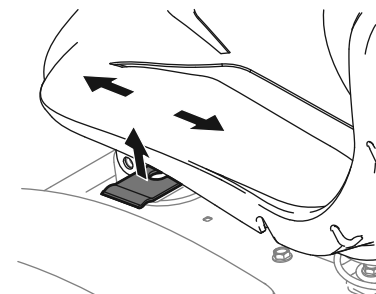


Figure 24

Huile

NOTE : L'appareil est expédié avec de l'huile dans le moteur. Il est toutefois recommandé de vérifier le niveau d'huile avant d'utiliser l'appareil. Consultez la notice d'utilisation du moteur fournie séparément pour les instructions sur le remplissage d'huile et la vérification du niveau de l'huile.

⚠ ATTENTION

Vérifiez le niveau d'huile à moteur avant chaque utilisation selon les instructions de la notice d'utilisation du moteur. Ajoutez de l'huile au besoin. Un manque d'huile peut causer de graves dommages au moteur.

UTILISATION

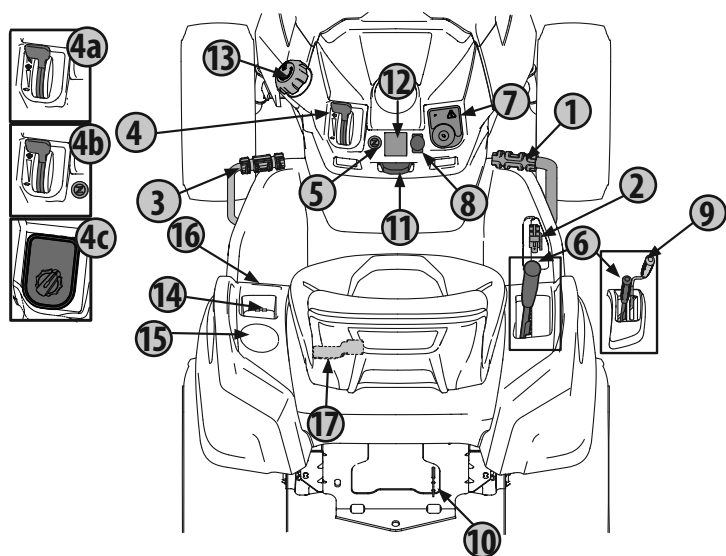


Figure 26

Note : Ce manuel est commun à plusieurs modèles. Les caractéristiques peuvent varier selon le modèle. Certaines caractéristiques décrites dans ce manuel peuvent ne pas s'appliquer à tous les modèles. Votre appareil peut différer du modèle illustré.

Note : Toutes les mentions de GAUCHE, DROITE, AVANT et ARRIÈRE ne s'entendent qu'à partir du poste de conduite.

① Pédale de marche avant

Appuyez sur la pédale de marche avant pour faire avancer l'appareil. Plus vous appuyez sur la pédale, plus l'appareil se déplace rapidement. La pédale revient à sa position initiale (neutre) lorsqu'elle est relâchée.

② Pédale de marche arrière

Appuyez sur la pédale de marche arrière pour faire reculer l'appareil. Plus vous appuyez sur la pédale, plus l'appareil se déplace rapidement. La pédale revient à sa position initiale (neutre) lorsqu'elle est relâchée.

③ Pédale de frein

Pendant que le tracteur avance, appuyez sur la pédale de frein pour l'arrêter et pour serrer le frein de stationnement.

Note : La pédale de frein doit être complètement enfoncée pour permettre le démarrage du moteur. Consultez la sous-section Système de verrouillage de sécurité pour plus de détails.

④ Commande d'accélérateur / d'étrangleur, commande d'accélérateur, commande d'accélérateur électronique

④a Commande d'accélérateur / d'étrangleur (le cas échéant)

Déplacez le levier d'accélérateur/d'étrangleur vers l'avant pour augmenter la vitesse. L'appareil est conçu pour fonctionner avec le levier d'accélérateur/d'étrangleur à la position RAPIDE (plein régime) lorsque l'appareil avance et le plateau de coupe est engagé. Déplacez le levier d'accélérateur/d'étrangleur vers l'arrière pour réduire le régime du moteur. Au démarrage, poussez le levier à fond vers l'avant à la position ÉTRANGLEUR (CHOKE). Lorsque le moteur est en marche, déplacez le levier vers l'arrière jusqu'à ce qu'il ait passé le point de friction. Ce levier n'est pas utilisé pour contrôler la vitesse de l'appareil, il doit être maintenu à la position Rapide lorsque les lames sont embrayées.

④b Commande d'accélérateur (le cas échéant)

Déplacez le levier d'accélérateur vers l'avant pour augmenter la vitesse. L'appareil est conçu pour fonctionner avec le levier d'accélérateur à la position RAPIDE (plein régime) lorsque l'appareil avance et le plateau de coupe est engagé. Déplacez le levier d'accélérateur vers l'arrière pour réduire le régime du moteur.

④c Commande d'accélérateur électronique (le cas échéant)

Le régime du moteur sera maintenu selon le réglage choisi.

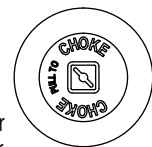
Le module de commande d'accélérateur électronique reçoit des informations de divers capteurs pour déterminer à chaque instant la charge à laquelle le moteur est soumis. Le réglage « CUT » assure une performance optimale dans des conditions d'utilisation normales. Le réglage « POWER CUT » assure une performance optimale dans des conditions d'utilisation anormales.

Note : Les tracteurs équipés du module de commande d'accélérateur électronique peuvent être démarrés à n'importe quel réglage de vitesse désiré. Cette commande réglera la vitesse de l'appareil au régime approprié.

Note : L'ajustement au régime approprié peut prendre quelques secondes, ceci est normal.

⑤ Commande d'étrangleur (le cas échéant)

Elle sert à contrôler le degré d'ouverture du papillon d'étrangleur. Tirez le bouton pour actionner l'étrangleur ou pressez le bouton pour désactiver l'étrangleur. Si le tracteur en est équipé, il sera aussi doté d'une commande d'accélérateur. Tirez le bouton pour fermer le papillon pendant le démarrage à froid. Lorsque le moteur démarre, pressez le bouton à fond pour faire fonctionner le moteur à plein régime.



⑥ Levier de relevage du plateau de coupe

Ce levier sert à relever et abaisser le plateau de coupe. Tirez le levier vers la gauche pour le faire sortir de la barre de réglage et déplacez-le vers le bas pour abaisser le plateau ou tirez-le vers le haut pour le relever. Lorsque le plateau de coupe est à la hauteur voulue, poussez le levier vers la droite jusqu'à ce qu'elle soit bien enclenchée dans l'encoche.

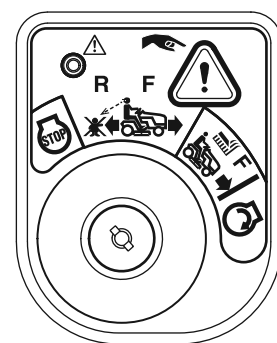
⑦ Commutateur d'allumage

Clé de démarrage

⚠ AVERTISSEMENT

Ne laissez jamais votre tracteur en marche sans surveillance. Débrayez toujours la prise de force, engagez le frein de stationnement, arrêtez le moteur et retirez la clé de contact pour empêcher tout démarrage accidentel.

Consultez la sous-section Démarrage du moteur pour des renseignements sur le démarrage du moteur. Consultez la sous-section Arrêt du moteur pour des renseignements sur l'arrêt du moteur.



⚠ AVERTISSEMENT

Avant d'utiliser l'appareil, consultez les sous-sections Système de verrouillage de sécurité et Démarrage du moteur de la section Utilisation de ce manuel pour plus d'instructions sur le module du commutateur d'allumage et le mode de tonte en marche arrière.

UTILISATION

Démarrage par bouton-poussoir/écran de rappel d'entretien et compteur d'heures (le cas échéant)

⚠ AVERTISSEMENT

Ne laissez jamais votre tracteur en marche sans surveillance. Débrayez toujours la prise de force, engagez le frein de stationnement, arrêtez le moteur et retirez la clé de contact.

Note : Si le bouton de mode de tonte en marche arrière est enfoncé au démarrage, le moteur ne démarrera pas et il faudra recommencer la procédure de démarrage.

Pressez sur le bouton-poussoir ou retirez la clé de contact pour arrêter le moteur.

Lorsque vous insérez la clé de contact et vous la gardez enfoncée pendant moins de 1,5 seconde, l'écran de rappels d'entretien affiche brièvement la tension de la batterie, puis le nombre d'heures d'utilisation de l'appareil.

Note : Le compteur d'heures enregistre les heures d'utilisation de l'appareil lorsque le moteur est en marche.

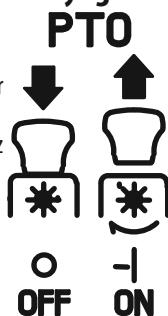
Un rappel d'entretien est affiché à l'écran ACL lorsqu'il faut changer l'huile à moteur ou lorsqu'il est recommandé de vérifier le filtre à air. L'écran ACL vous avertit également si le niveau d'huile est bas ou si la batterie est faible.



⑧ Bouton de prise de force électrique (embrayage des lames) (le cas échéant)

Ce bouton permet d'embrayer la prise de force électrique qui est installée à la base du vilebrequin du moteur. Tirez le bouton pour embrayer la prise de force ou pressez le bouton pour la débrayer.

Ce bouton doit être à la position débrayée lorsque vous démarrez le moteur. Consultez la sous-section Embrayage de la prise de force électrique pour plus d'informations sur l'utilisation de la prise de force.



⑨ Levier de la prise de force (embrayage des lames)

Le levier de la prise de force est utilisé pour embrayer le plateau de coupe ou tout autre accessoire (disponible séparément). Consultez la sous-section Embrayage de la prise de force manuelle pour plus d'informations sur l'utilisation de la prise de force.

⑩ Tige de dérivation de la transmission

Lorsqu'elle est engagée, la tige ouvre la soupape de dérivation dans la transmission hydrostatique, permettant ainsi de déplacer l'appareil manuellement sur de courtes distances. Consultez la section Assemblage pour plus d'informations sur l'utilisation du levier de dérivation de la transmission.

⚠ ATTENTION

Ne remorquez jamais votre appareil. Le remorquage de l'appareil avec les roues arrière au sol peut gravement endommager la transmission.

⑪ Levier du frein de stationnement et du régulateur de vitesse

Ce levier sert à engager le frein de stationnement et à régler le régulateur de vitesse. Consultez la section Utilisation de l'appareil de ce manuel pour plus d'instructions sur l'utilisation du frein de stationnement.



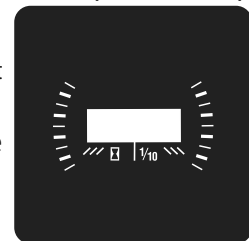
Note : Engagez toujours le frein de stationnement lorsque vous quittez le poste de conduite pendant que le moteur tourne, sinon le moteur s'arrêtera automatiquement.

Note : Le régulateur de vitesse NE peut PAS être réglé à la plus haute vitesse de déplacement.

⑫ Compteur d'heures

Écran ACL de rappels d'entretien et compteur d'heures (le cas échéant)

Un rappel d'entretien est affiché à l'écran ACL lorsqu'il faut changer l'huile à moteur ou lorsqu'il est recommandé de vérifier le filtre à air. L'écran vous avertit également si le niveau d'huile est bas ou si la batterie est faible. Lorsque la clé de contact est déplacée de la position ARRÊT (STOP) à toute autre position que celle de démarrage, l'écran affiche brièvement la tension de la batterie, puis le nombre d'heures d'utilisation.



Note : Lorsque la clé de contact est déplacée de la position ARRÊT (STOP), le compteur d'heures enregistre la durée d'utilisation (le sablier est activé), même si le moteur n'a pas été démarré.

Changement d'huile

Lorsqu'un changement d'huile est nécessaire, l'écran ACL affichera les lettres « CHG », « OIL » (huile) et « SOON » (bientôt), puis le nombre d'heures d'utilisation. L'affichage des lettres « CHG / OIL / SOON » et du nombre d'heures d'utilisation sera alterné sur l'écran pendant 7 minutes quand le compteur d'heures atteindra 50 heures d'utilisation. Le rappel de changement d'huile s'affiche toutes les 50 heures d'utilisation. Changez l'huile à moteur dans le délai indiqué, selon les instructions de la notice d'utilisation du moteur.

Niveau d'huile bas

Note : La fonction « Pression d'huile basse » n'est disponible que si le moteur est équipé d'un interrupteur de pression d'huile.

Si la pression d'huile du moteur est basse, l'écran ACL affichera les lettres « LO » et « OIL » (huile), puis le nombre d'heures d'utilisation. Ceci est normal lors du démarrage du moteur. Après le démarrage, le témoin restera allumé jusqu'à ce que le moteur produise assez de pression. Si le moteur a fonctionné à plein régime pendant quelques minutes et le témoin demeure allumé, arrêtez l'appareil immédiatement et vérifiez le niveau d'huile à moteur selon les instructions dans la notice d'utilisation du moteur. Si le témoin demeure allumé tandis que le niveau d'huile est correct, contactez un centre de service agréé.

Batterie faible

Au démarrage, l'écran ACL affiche brièvement la tension de la batterie, puis le nombre d'heures d'utilisation. Si la batterie est faible, l'écran ACL affichera les lettres « LO » et « BATT », puis le nombre d'heures d'utilisation de l'appareil. Les lettres « LO / BATT » et les heures d'utilisation seront affichées si la tension est inférieure à 11,5 volts. Ce message est affiché si la batterie n'est pas assez chargée ou si le système de charge du moteur ne produit pas assez d'intensité. Rechargez la batterie selon les instructions de la section Entretien de ce manuel ou visitez le centre de service de votre région pour faire vérifier le système de charge.

Vérification du filtre à air

Lorsqu'un changement d'huile est nécessaire, l'écran ACL affichera les lettres « CHG », « OIL » (huile) et « SOON » (bientôt), puis le nombre d'heures d'utilisation. L'affichage des lettres « CLN / AIR / FILT » et du nombre d'heures d'utilisation sera alterné sur l'écran pendant 7 minutes quand le compteur d'heures atteindra 25 heures d'utilisation. Le rappel d'entretien du filtre à air s'affiche toutes les 25 heures d'utilisation. Lorsque le rappel d'entretien du filtre à air coïncide avec celui du changement d'huile, l'écran affiche d'abord le rappel de changement d'huile, puis celui du filtre à air.

⑬ Bouchon pour réservoir d'essence

Tournez le bouchon vers la gauche jusqu'à ce qu'il ait au moins deux déclics. Puis, tirez-le vers le haut pour le retirer. Le bouchon est attaché à l'appareil pour qu'il ne se perde pas. Ne détachez pas le bouchon du réservoir. Remplissez le réservoir jusqu'à 12,7 mm (½ po) du col de remplissage pour laisser assez d'espace pour permettre la dilatation de l'essence. Ne faites pas déborder le réservoir. Le réservoir a une capacité d'environ 11,35 litres (3 gallons).

UTILISATION

Pour replacer le bouchon, pressez sur le bouchon et tournez-le vers la droite jusqu'à ce qu'il y ait au moins deux déclics. Resserrez bien le bouchon après l'avoir retiré.

AVERTISSEMENT

Ne faites jamais le plein lorsque le moteur est en marche. Si le moteur est chaud, attendez qu'il refroidisse pendant quelques minutes avant de faire le plein. Le carburant est inflammable et ses éclaboussures sur un moteur chaud risquent de provoquer un incendie.

14 Bac de rangement

Le bac de rangement se trouve à gauche du siège du conducteur.

15 Porte-gobelet

Le porte-gobelet se trouve à gauche du siège du conducteur.



16 Pédale de verrouillage du différentiel (le cas échéant)

Lorsque le différentiel est verrouillé, les pneus arrière roulent à la même vitesse, ce qui augmente la traction du tracteur. Consultez la section Verrouillage du différentiel pour plus d'informations sur l'utilisation du système de verrouillage du différentiel.

17 Levier de réglage du siège

Ce levier de réglage permet d'ajuster le siège du conducteur vers l'avant ou vers l'arrière. Consultez la section Assemblage pour plus d'informations sur le réglage du siège.

Phares (non indiqué)

Les phares s'allument lorsque la clé de contact est tournée hors de la position ARRÊT (STOP) . Les phares s'éteignent lorsque la clé de contact est tournée à la position ARRÊT (STOP) .

Pour les tracteurs dotés d'un bouton-poussoir de démarrage : les phares restent allumés quand le moteur est en marche. Vous pouvez allumer les phares en 15 secondes sans avoir à être assis en appuyant une fois sur le bouton de démarrage. Asseyez-vous ou démarrez le moteur pour garder les phares allumés.

Utilisation

Avant d'utiliser votre appareil

- Avant d'utiliser l'appareil, consultez le tableau d'entretien de ce manuel de l'information sur l'entretien de l'appareil.
- Le moteur de l'appareil est conçu pour fonctionner avec de l'essence propre, fraîche et sans plomb. Utilisez de l'essence propre, fraîche, sans plomb, avec un indice d'octane de 87 ou plus.
- N'utilisez pas de l'essence de la saison précédente pour réduire la formation de dépôts dans le système d'alimentation.
- L'essence-alcool (comprenant jusqu'à 10 % d'alcool éthylique et 90 % d'essence sans plomb en volume) est un carburant approuvé. Les autres mélanges d'essence et d'alcool ne sont pas approuvés.
- Les mélanges de méthyl tert-butyl éther (MTBE) et d'essence sans plomb (jusqu'à un maximum de 15 % de MTBE en volume) sont approuvés. Les autres mélanges d'alcool et d'éther ne sont pas approuvés.

Système de verrouillage de sécurité

AVERTISSEMENT

N'utilisez pas l'appareil si un composant du système de verrouillage est défectueux. Ce système a été conçu pour votre sécurité et votre protection.

Cet appareil est équipé d'un système de verrouillage de sécurité pour assurer la protection de l'utilisateur. Si ce système ne fonctionne pas correctement, n'utilisez pas l'appareil. Contactez un centre de service agréé.

- Le système de verrouillage de sécurité empêche le démarrage du moteur si le frein de stationnement n'est pas engagé, si l'utilisateur s'est levé du siège, si la pédale de frein n'est pas appuyée à fond et si le bouton de la prise de force ou le levier de la prise de force n'est pas à la position débrayée.
- Le moteur s'arrête automatiquement si le conducteur quitte le poste de conduite sans engager le frein de stationnement.

- Le moteur s'arrête automatiquement si le conducteur se lève quand le bouton de la prise de force ou le levier de la prise de force est à la position embrayée, que le frein de stationnement soit serré ou non.
- La prise de force est automatiquement débrayée quand la clé de contact est à la position de tonte normale, le bouton de la prise de force est à la position embrayée et la pédale de la marche arrière est enfoncée.

Vérification des circuits du système de sécurité

Vérifiez régulièrement le bon fonctionnement des circuits du système de sécurité. Si un circuit ne fonctionne pas comme prévu, contactez un centre de service agréé pour faire inspecter l'appareil. N'utilisez PAS l'appareil si un circuit du système de sécurité ne fonctionne pas correctement. Procédez comme suit pour vérifier les circuits :

1. Assurez-vous que le moteur est arrêté et que vous êtes assis avant de placer le bouton ou le levier de la prise de force à la position embrayée. Tournez brièvement la clé de contact à la position de démarrage. Le moteur ne devrait pas démarrer.
2. Levez-vous pendant que le moteur est en marche et que le frein de stationnement n'est pas serré. Le moteur devrait s'arrêter.
3. Embrayez la prise de force avec le frein de stationnement serré. Soulevez-vous du siège du conducteur. Le moteur devrait s'arrêter.

Démarrage du moteur

ATTENTION

L'utilisateur doit être assis pour démarrer le moteur.

Pour les tracteurs équipés d'une clé de démarrage, suivez les instructions ci-dessous. Pour ceux équipés d'un bouton-poussoir, suivez les instructions de la sous-section Bouton-poussoir de démarrage.

Clé de démarrage, commande d'accélérateur et commande d'étrangleur

1. Insérez la clé de contact dans le commutateur d'allumage.
2. Débrayez la prise de force.
3. Engagez le frein de stationnement.
4. Actionnez l'étrangleur (le cas échéant).
Note : Il n'est pas nécessaire d'étrangler le moteur s'il est déjà chaud.
5. Placez le levier d'accélérateur à mi-chemin entre la position RAPIDE et la position LENTE.
Note : Assurez-vous que le levier d'accélérateur est toujours à la position RAPIDE lorsque vous utilisez l'appareil.
6. Tournez la clé de contact dans le sens horaire à la position de démarrage. Relâchez la clé dès que le moteur démarre. La clé retournera automatiquement à la position de tonte normale.

ATTENTION

NE tenez PAS la clé dans la position de démarrage pendant plus de dix secondes à la fois car cela risque d'endommager le démarreur électrique du moteur.

7. Pendant que le moteur est en marche, débrayez l'étrangleur. N'utilisez pas l'étrangleur pour enrichir le mélange de carburant. Utilisez l'étrangleur au besoin pour faire démarrer le moteur.
8. Laissez le moteur en marche à mi-régime pendant quelques minutes avant d'appliquer une charge.
Note : Assurez-vous que le levier d'accélérateur est toujours à la position RAPIDE lorsque vous utilisez l'appareil.
9. Vérifiez l'écran de rappels d'entretien. Si l'écran indique que le niveau d'huile est bas ou que la batterie est faible, arrêtez immédiatement le moteur. Faites inspecter votre appareil dans un centre de service agréé.

Clé de démarrage et commande d'accélérateur / d'étrangleur

1. Placez la clé de contact dans le commutateur d'allumage.
2. Débrayez la prise de force.

UTILISATION

- Engagez le frein de stationnement.
- Poussez le levier d'accélérateur, au-delà du point de friction de l'étrangleur, pour actionner l'étrangleur.
Note : Il n'est pas nécessaire d'étrangler le moteur s'il est déjà chaud.
- Tournez la clé de contact dans le sens horaire à la position de démarrage. Relâchez la clé dès que le moteur démarre. La clé retournera automatiquement à la position de tonte normale.

⚠ ATTENTION

NE tenez PAS la clé dans la position de démarrage pendant plus de dix secondes à la fois car cela risque d'endommager le démarreur électrique du moteur.

- Pendant que le moteur est en marche, tirez graduellement le levier d'accélérateur/d'étrangleur vers l'arrière, au-delà du point de friction de l'étrangleur. N'utilisez pas l'étrangleur pour enrichir le mélange de carburant. Utilisez l'étrangleur au besoin pour faire démarrer le moteur.
- Laissez le moteur en marche à mi-régime pendant quelques minutes avant d'appliquer une charge.
Note : Assurez-vous que le levier d'accélérateur est toujours à la position RAPIDE lorsque vous utilisez l'appareil.
- Vérifiez l'écran de rappels d'entretien. Si l'écran indique que le niveau d'huile est bas ou que la batterie est faible, arrêtez immédiatement le moteur. Faites inspecter votre appareil dans un centre de service agréé.

Clé de démarrage, commande d'accélérateur électronique

- Placez la clé de contact dans le commutateur d'allumage.
- Débrayez la prise de force.
- Engagez le frein de stationnement.
- Placez le bouton rotatif de la commande électronique à la position désirée.
Note : Les tracteurs équipés du module de commande électronique peuvent être démarrés à n'importe quel réglage de vitesse désiré. La commande électronique réglera la vitesse de l'appareil au régime approprié.
- Tournez la clé de contact dans le sens horaire à la position de démarrage. Relâchez la clé dès que le moteur démarre. La clé retournera automatiquement à la position de tonte normale.
Note : L'ajustement au régime approprié peut prendre quelques secondes, ceci est normal.

Bouton-poussoir de démarrage

- Débrayez la prise de force.
- Insérez la clé de contact.
- Engagez le frein de stationnement.
- Placez le levier d'accélérateur à la position RAPIDE.
- Appuyez sur la clé de contact.
Note : Assurez-vous que le levier d'accélérateur est toujours à la position RAPIDE lorsque vous utilisez l'appareil. Faites fonctionner l'appareil à plein régime pour éviter de réduire la durée de vie de la batterie.

Démarrage par temps froid

Pour démarrer le moteur lorsque la température est près ou au-dessous du point de congélation, utilisez une huile à moteur qui présente la viscosité appropriée et vérifiez que la batterie est complètement chargée. Démarrez le moteur comme suit :

- Assurez-vous que la batterie est en bon état. Une batterie réchauffée a une plus grande capacité de démarrage qu'une batterie froide.
- Utilisez de l'essence fraîche, appropriée pour l'hiver. L'essence pour l'hiver est plus volatile pour faciliter le démarrage. N'utilisez pas l'essence de la saison précédente.
- Pour démarrer le moteur, suivez les instructions de la sous-section Démarrage du moteur.

Démarrage du moteur à l'aide de câbles de démarrage

⚠ AVERTISSEMENT

Les batteries contiennent de l'acide sulfurique et peuvent dégager des gaz explosifs. Assurez-vous que la zone de travail est bien aérée, portez des gants et des lunettes de protection et évitez de produire des flammes et des étincelles près de la batterie.

Si la charge de la batterie est insuffisante pour faire démarrer le moteur, rechargez la batterie. Si vous n'avez pas de chargeur de batterie, utilisez une batterie d'appoint pour démarrer le moteur. Branchez la batterie d'appoint comme suit :

- Branchez l'extrémité d'un câble à la borne positive de la batterie déchargée, puis branchez l'autre extrémité du câble à la borne positive de la batterie d'appoint.
- Branchez l'extrémité de l'autre câble à la borne négative de la batterie d'appoint, puis branchez son autre extrémité au châssis de l'appareil, le plus loin possible de la batterie.
- Démarrez le moteur de l'appareil selon les instructions de démarrage normal précédentes. Débranchez ensuite les câbles de démarrage dans l'ordre inverse de leur branchement.
- Faites vérifier et réparer le système électrique de l'appareil dès que possible pour ne pas avoir à recharger la batterie de nouveau.

Arrêt du moteur

- Si les lames sont embrayées, placez le levier ou le bouton de la prise de force à la position débrayée.
- Engagez le frein de stationnement.
- Placez le levier d'accélérateur à mi-chemin entre la position RAPIDE et la position LENTE.
- Tournez la clé de contact vers la gauche à la position ARRÊT (STOP). Pour les tracteurs dotés d'un bouton-poussoir, appuyez sur le bouton-poussoir ou retirez-le.

Utilisation du tracteur

⚠ AVERTISSEMENT

Appuyez lentement et doucement sur les pédales de déplacement et la pédale de frein. Tout mouvement brusque des pédales peut affecter la stabilité du tracteur et causer son renversement, ce qui peut entraîner de graves blessures, voire la mort.

- Appuyez sur la pédale de frein pour désengager le frein de stationnement. Placez le levier d'accélérateur à la position RAPIDE.
- Pour vous déplacer en marche avant, appuyez doucement sur la pédale de marche avant (a) jusqu'à ce que vous atteigniez la vitesse désirée. Voir Figure 27.
- Pour vous déplacer en marche arrière, regardez d'abord derrière vous, puis appuyez doucement sur la pédale de marche arrière jusqu'à ce que vous atteigniez la vitesse désirée. Voir Figure 27.

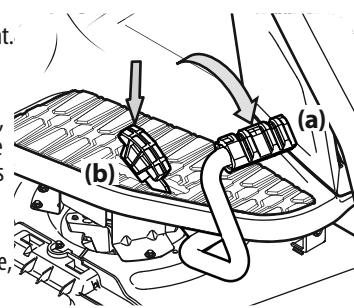


Figure 27

⚠ AVERTISSEMENT

- Un virage très serré risque de réduire le contrôle de l'appareil. Ralentissez TOUJOURS avant d'effectuer un virage serré.
- Ne vous levez pas sans avoir débrayé la prise de force et serré le frein de stationnement. Arrêtez le moteur et retirez la clé de contact si vous laissez l'appareil sans surveillance.

UTILISATION

Utilisation du frein de stationnement

Note : Engagez toujours le frein de stationnement lorsque vous quittez le poste de conduite pendant que le moteur tourne, sinon le moteur s'arrêtera automatiquement.

Pour engager le frein de stationnement :

1. Appuyez à fond sur la pédale de frein avec votre pied gauche et gardez-la enfoncée.
2. Pressez sur le levier du frein de stationnement / régulateur de vitesse et maintenez-le dans cette position.
3. Enlevez votre pied de la pédale de frein.
4. Relâchez le levier du frein de stationnement / régulateur de vitesse.

La pédale de frein doit rester enfoncée après que vous avez effectué l'étape 3. Si tel n'est pas le cas, le frein de stationnement n'est pas engagé. Répétez les étapes 1 à 4 pour serrer le frein.

Pour désengager le frein de stationnement, appuyez légèrement sur la pédale de frein.

Réglage du régulateur de vitesse

⚠ AVERTISSEMENT

Vous ne devez pas activer le régulateur de vitesse lorsque vous utilisez le tracteur en marche arrière. Le régulateur de vitesse ne fonctionne pas en marche arrière.

Pour régler le régulateur de vitesse :

1. Appuyez sur la pédale de marche avant avec votre pied droit jusqu'à ce que vous atteigniez la vitesse désirée.
2. Pressez sur le levier du frein de stationnement / régulateur de vitesse et maintenez-le dans cette position.
3. Enlevez votre pied de la pédale de marche avant.
4. Relâchez le levier du frein de stationnement / régulateur de vitesse.

La pédale de marche avant devrait rester enfoncée; le tracteur maintiendra alors une vitesse constante. Si tel n'est pas le cas, le régulateur de vitesse n'est pas engagé. Répétez les étapes 1 à 4 pour activer le régulateur de vitesse.

Pour désengager le régulateur de vitesse, appuyez légèrement sur la pédale de marche avant ou sur la pédale de frein.

Mode de tonte en marche arrière

Mode de tonte en marche arrière (modèles avec clé de démarrage)

Le mode de tonte en marche arrière permet de tondre l'herbe en marche arrière quand la prise de force est embrayée.

Note : Il n'est pas recommandé de tondre en marche arrière.

⚠ AVERTISSEMENT

Soyez très prudent lorsque vous utilisez le mode de tonte en marche arrière. Regardez toujours vers le sol et derrière vous avant de reculer et lorsque vous reculez. N'utilisez pas l'appareil si des personnes se trouvent à proximité. Arrêtez immédiatement l'appareil si quelqu'un s'approche de la zone de travail.

Pour utiliser l'appareil en mode de tonte en marche arrière :

Note : L'utilisateur DOIT être en position assise.

1. Démarrez le moteur selon les instructions précédentes.
2. Tournez la clé de la position de tonte normale (a) à la position de tonte en marche arrière (b). Voir Figure 28.
3. Pressez le bouton du mode de tonte en marche arrière (c) sur le coin supérieur droit du tableau de bord pendant trois secondes. Le témoin lumineux rouge (d) dans le coin supérieur gauche s'allume lorsque le bouton de marche arrière est activé. Voir Figure 28.
4. Lorsque le bouton de marche arrière est activé (le témoin est allumé), l'appareil peut être utilisé en marche arrière avec les lames de coupe engagées.

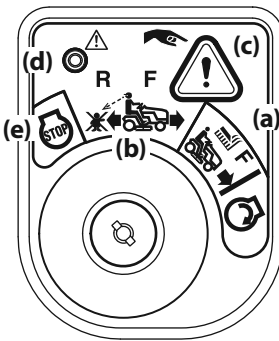


Figure 28

5. Regardez toujours derrière vous et vers le sol avant de reculer et lorsque vous reculez pour vous assurer qu'il n'y a pas d'enfants à proximité. Après avoir repris la marche avant, tournez la clé à la position de tonte normale (a).

Le mode de tonte en marche arrière (b) demeure activé jusqu'à ce que :

- a. la clé soit placée à la position de tonte normale (a) ou à la position ARRÊT (e);
- b. l'utilisateur se lève (prise de force électrique) ou le frein de stationnement est engagé (prise de force manuelle).

Mode de tonte en marche arrière (modèles avec bouton-poussoir de démarrage)

Le mode de tonte en marche arrière permet de tondre l'herbe en marche arrière quand la prise de force est embrayée.

Note : Il n'est pas recommandé de tondre en marche arrière.

⚠ AVERTISSEMENT

Soyez très prudent lorsque vous utilisez le mode de tonte en marche arrière. Regardez toujours vers le sol et derrière vous avant de reculer et lorsque vous reculez. N'utilisez pas l'appareil si des personnes se trouvent à proximité. Arrêtez immédiatement l'appareil si quelqu'un s'approche de la zone de travail.

Pour utiliser l'appareil en mode de tonte en marche arrière :

Note : L'utilisateur DOIT être en position assise.

1. Démarrez le moteur selon les instructions précédentes.
2. Pressez le bouton de mode de tonte en marche arrière pendant trois secondes. Le témoin clignote pendant 3 secondes et reste allumé lorsque ce mode est activé. Voir Figure 29.
3. Le témoin lumineux au-dessus du bouton de mode de tonte en marche arrière s'allume lorsque le mode de tonte en marche arrière est activé. Voir Figure 29.
4. Lorsque le bouton de marche arrière est activé (le témoin lumineux est allumé), l'appareil peut être utilisé en marche arrière avec les lames de coupe engagées.
5. Regardez toujours derrière vous et vers le sol avant de reculer et lorsque vous reculez pour vous assurer qu'il n'y a pas d'enfants à proximité. Après avoir repris la marche avant, appuyez sur le bouton de mode de tonte en marche arrière pour reprendre le mode de tonte normale.
6. Le mode de tonte en marche arrière demeure activé jusqu'à ce que :
 - a. le bouton de mode de tonte en marche arrière est pressé de nouveau;
 - b. la clé de contact est pressée ou retirée;
 - c. l'utilisateur se lève.

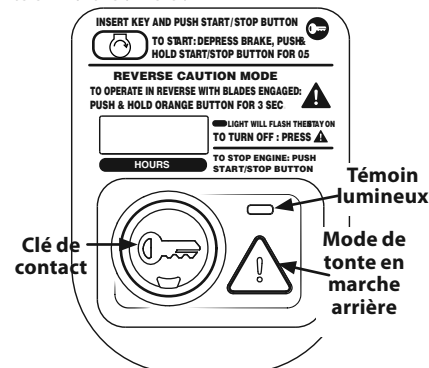


Figure 29

Embrayage de la prise de force électrique

Lorsque le bouton est actionné, la puissance du moteur est transférée au plateau de coupe ou à tout autre accessoire (disponible séparément). Pour embrayer la prise de force :

1. Placez le levier d'accélérateur à la position RAPIDE.
 2. Tirez le bouton de la prise de force vers l'extérieur à la position embrayée. Voir Figure 26.
- Note :** Assurez-vous que le levier d'accélérateur est toujours à la position RAPIDE lorsque vous utilisez l'appareil. Faites fonctionner l'appareil à plein régime pour éviter de réduire la durée de vie de la batterie et la qualité de la tonte.
3. Pour débrayer la prise de force, appuyez sur le bouton de la prise de force (a) à la position débrayée (OFF).

UTILISATION

Embrayage de la prise de force manuelle

Lorsque le levier de la prise de force est engagé, la puissance du moteur est transférée au plateau de coupe. Pour embrayer la prise de force :

1. Placez le levier d'accélérateur à la position RAPIDE.
2. Poussez le levier vers l'avant pour embrayer la prise de force. Voir Figure 30.

Note : Assurez-vous que le levier d'accélérateur est toujours à la position RAPIDE lorsque vous utilisez l'appareil. Faites fonctionner l'appareil à plein régime pour éviter de réduire la durée de vie de la batterie et la qualité de la tonte.

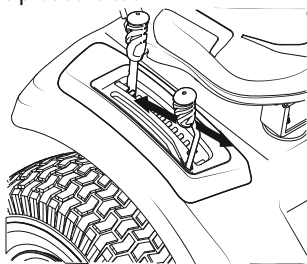


Figure 30

3. Pour débrayer la prise de force, poussez le levier vers l'avant et vers la droite pour l'enlever de la position verrouillée. Puis, relâchez le levier pour qu'elle revienne à la position désengagée.

Tonte de l'herbe

⚠ AVERTISSEMENT

Pour éviter tout accident à cause des lames ou des projections, ne permettez à personne (en particulier les enfants et les animaux) de s'approcher à moins de 20 m (75 pi). Coupez le moteur dès que quelqu'un s'approche de trop près.

⚠ AVERTISSEMENT

Débarrassez la zone de travail de tout débris, bâton, caillou, fil électrique et de tout autre objet qui peut être projeté par les lames rotatives.

Note : N'engagez pas le plateau de coupe lorsqu'il est abaissé sur l'herbe qui n'a pas été coupée. La courroie trapézoïdale et l'embrayage de la prise de force risquent de s'user prématurément. Relevez le plateau à la plus haute position de coupe ou déplacez l'appareil sur une surface non gazonnée avant d'engager le plateau de coupe.

- Travaillez dans le sens de la pente. Lorsque vous tondez une pente, commencez au pied de la pente et travaillez en remontant pour effectuer les virages en montée.
- Ne tondez pas à une vitesse élevée, surtout lorsqu'un ensemble de déchiquetage ou un sac à herbe est installé.
- Ne coupez pas l'herbe trop court. L'herbe courte encourage la croissance de mauvaises herbes et risque de jaunir plus rapidement durant les périodes sèches.
- Assurez-vous que le levier d'accélérateur est toujours à la position RAPIDE lorsque vous tondez l'herbe.
- Au premier passage, choisissez un point de repère de l'autre côté de la zone à tondre. Suivez ce repère pour vous déplacer en ligne droite.
- Embrayez la prise de force et placez le levier d'accélérateur à la position RAPIDE.
- Puis, abaissez le plateau de coupe.
- Pour de meilleurs résultats, projetez l'herbe vers le centre de la zone de travail lors des deux premiers passages. Par la suite, changez de direction pour projeter l'herbe vers l'extérieur et avoir une plus belle pelouse.

Note : La vitesse de déplacement de l'appareil aura un effet sur la qualité de la tonte. Travailler à pleine vitesse nuira à la qualité de la tonte.

- Ce tracteur est conçu pour une utilisation non-professionnelle. Il peut tondre un gazon de 25 cm (10 po) de haut au maximum. Il n'est pas fait pour tondre les hautes herbes (par ex. dans un pré) ou pour déchiqueter des tas de feuilles mortes. Des débris végétaux secs peuvent s'accumuler sous le plateau de coupe et provoquer un incendie s'ils atteignent le tuyau d'échappement.
- NE tondez PAS les broussailles, les mauvaises herbes ou l'herbe très haute. Cet appareil est conçu pour l'entretien résidentiel de pelouses, et non pour couper les broussailles.

- Assurez-vous que les lames sont bien aiguisées. Remplacez les lames usées ou endommagées.
- Lorsque vous êtes au bout d'un passage, ralentissez ou arrêtez complètement l'appareil avant d'effectuer le virage. Il est conseillé de faire un demi-tour.
- Alignez l'appareil sur le passage précédent et chevauchez ce passage sur environ 7,6 cm (3 po).
- Continuez à travailler en alignant l'appareil sur chaque passage précédent.
- Pour éviter la formation de sillons, changez la direction de tonte de 45 degrés à chaque tonte ultérieure.

Si, pour une raison quelconque, vous devez immobiliser l'appareil sur une surface gazonnée, procédez toujours comme suit :

- Engagez le frein de stationnement.
- Arrêtez le moteur et retirez la clé de contact.
- Vous minimiserez ainsi le risque de brûler la pelouse avec les gaz d'échappement du moteur en marche.

Utilisation de la pédale de verrouillage du différentiel (le cas échéant)

⚠ AVERTISSEMENT

- Lorsque le différentiel est verrouillé, prévoyez plus d'espace et plus d'efforts pour effectuer les virages.
- Utilisez la pédale de verrouillage du différentiel lorsque l'appareil est immobile. N'engagez pas la pédale de verrouillage du différentiel lorsque vous descendez une pente.
- Vous devez suivre toutes les consignes de sécurité de ce manuel, que le différentiel soit verrouillé ou non.

Note : Le système de verrouillage du différentiel est conçu pour être utilisé dans des conditions de faible traction. Assurez-vous que le système de verrouillage du différentiel n'est pas activé lorsque le tracteur roule sur des surfaces solides.

Dans certains cas, il peut être nécessaire d'activer le système de verrouillage du différentiel si le tracteur roule sur des surfaces glissantes ou sur des surfaces à faible traction. Procédez comme suit pour activer le système de verrouillage du différentiel.

1. Immobilisez le tracteur.
2. Appuyez sur la pédale pour activer le système de verrouillage du différentiel.

Note : La pédale doit rester enfoncée pour garder le verrouillage du différentiel activé.

Note : L'activation du système de verrouillage du différentiel peut être retardée. Le système de verrouillage du différentiel est activé lorsque les roues tournent à différentes vitesses.

Note : La désactivation du système de verrouillage du différentiel peut être retardée. Le système de verrouillage du différentiel est désactivé lorsque les roues arrière reviennent à la même vitesse.

3. Pour désactiver le système de verrouillage du différentiel, relâchez la pédale.

ENTRETIEN ET RÉPARATION

CALENDRIER D'ENTRETIEN

AVERTISSEMENT

Avant d'effectuer tout travail d'entretien, désengagez les commandes, arrêtez le moteur et attendez l'arrêt complet des pièces en mouvement. Débranchez le fil de bougie et mettez-le à la masse contre le moteur pour que ce dernier ne démarre pas. Portez des lunettes de protection lorsque vous utilisez l'appareil ou vous effectuez un réglage ou une réparation.

Respectez le calendrier ci-dessous. Ce tableau décrit seulement des directives générales d'entretien.

Consultez la notice d'utilisation du moteur pour toutes les instructions sur l'entretien des éléments du moteur ci-dessous.

	Avant chaque utilisation	Après les 5 premières heures	Toutes les 10 heures	Toutes les 25 heures	Toutes les 50 heures	Toutes les 100 heures	Toutes les 200 heures	Avant le remisage	Voir la notice du moteur
Vérifier/nettoyer la grille d'entrée d'air du moteur et les ailettes de refroidissement #	✓							✓	
Vérifier/nettoyer le collecteur d'échappement, le tuyau d'échappement et les pare-chaleurs du silencieux #	✓							✓	
Vérifier/nettoyer en haut et en bas du plateau de coupe, le dessous des couvercles de fusée et autour des courroies #	✓							✓	
Vérifier/nettoyer autour des fusibles, du câblage électrique et des faisceaux #	✓							✓	
Vérifier/nettoyer les essieux ainsi que la zone autour de la transmission et du ventilateur #	✓							✓	
Vérifier si les composants du filtre à air sont souillés, desserrés ou endommagés	✓								
Vérifier le niveau d'huile à moteur	✓								
Nettoyer les bornes de la batterie			✓					✓	
Graisser tous les points de lubrification			✓					✓	
Vérifier/nettoyer la grille d'entrée d'air du moteur			✓					✓	
Vérifier les lames, les aiguiser ou les remplacer au besoin			✓					✓	
Vérifier la pression des pneus			✓					✓	
Vérifier/nettoyer le dessous du plateau de coupe	✓		✓						
Vérifier le système de verrouillage de sécurité			✓					✓	
Vérifier le temps d'arrêt des lames			✓					✓	
Inspecter et lubrifier les roues du plateau de coupe				✓				✓	
Vérifier si le plateau de coupe est de niveau				✓				✓	
Vérifier si les courroies et les poulies sont endommagées ou usées					✓				
Vérifier si la quincaillerie est bien fixée						✓			
Vérifier le couple de serrage du boulon de montage du moteur (Serrer à un couple de 37-50 N m (325-450 po-lb))		✓			✓			✓	✓
Vérifier le couple de serrage du boulon de la lame (Serrer à un couple de 95-122 N m (70-90 pi-lb))		✓			✓			✓	
Vérifier l'état et l'écartement de la bougie d'allumage						✓		✓	✓
Changer l'huile à moteur (après la période de rodage)		✓							✓
Changer l'huile à moteur					✓			✓	✓
Vérifier le système d'alimentation (conduits, réservoir, bouchon et raccords)		✓			✓			✓	✓
Vérifier le pare-étincelles		✓			✓			✓	✓
Remplacer le filtre à huile					✓			✓	✓
Nettoyer ou remplacer le filtre à air					✓				✓
Remplacer le filtre à carburant					✓				✓
Vérifier et ajuster les soupapes *									✓

* -- Cet entretien doit être effectué par un centre de service agréé.

#-- Vérifiez et nettoyez plus fréquemment en cas d'utilisation dans des environnements poussiéreux et après le déchiquetage.

ENTRETIEN ET RÉPARATION

Note : Ce manuel est commun à plusieurs modèles. Les caractéristiques peuvent varier selon le modèle. Certaines caractéristiques décrites dans ce manuel peuvent ne pas s'appliquer à tous les modèles. Votre appareil peut différer du modèle illustré.

Entretien de la tondeuse après son utilisation

Après chaque utilisation, effectuez les étapes ci-dessous pour garder votre appareil en bon état de fonctionnement et prolonger sa durée de vie.

AVERTISSEMENT

Le non-respect de ces instructions peut entraîner de graves blessures et endommager l'appareil.

Nettoyage du dessous du plateau de coupe

Système de nettoyage du plateau de coupe

Le plateau de coupe est équipé d'un gicleur qui s'adapte au système de nettoyage du plateau de coupe.

Utilisez le système de nettoyage du plateau de coupe pour rincer les débris d'herbe coupée sous le plateau de coupe et empêcher l'accumulation de produits chimiques corrosifs. Effectuez les étapes suivantes APRÈS CHAQUE UTILISATION :

1. Attachez l'adaptateur à un boyau d'arrosage standard raccordé à une source d'eau.
2. Déplacez l'appareil vers un endroit qui est près d'un tuyau d'arrosage et où le nettoyage du plateau ne pose pas de problèmes. Débrayez la prise de force, engagez le frein de stationnement et arrêtez le moteur.
3. Tirez sur le collier d'arrêt (a) de l'adaptateur (b) pour retirer l'adaptateur (b) de l'embout du système de nettoyage du plateau de coupe (c). Relâchez le collier d'arrêt pour fixer l'adaptateur sur l'embout du système de nettoyage. Voir Figure 31.
4. Ouvrez le robinet d'eau.
5. À partir du poste de conduite, démarrez le moteur et embraquez la prise de force. Laissez l'appareil fonctionner aussi longtemps que nécessaire. Débrayez la prise de force et arrêtez le moteur.
6. Fermez le robinet d'eau.
7. Tirez sur le collier d'arrêt de l'adaptateur pour retirer l'adaptateur de l'embout du système de nettoyage du plateau de coupe.

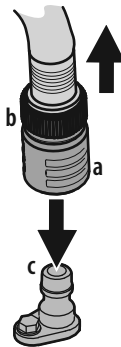


Figure 31

Nettoyage de l'appareil

AVERTISSEMENT

Lorsque l'appareil vient d'être utilisé, les surfaces en métal, le moteur et le silencieux sont brûlants. Attendez au moins cinq minutes avant de procéder, sinon vous risquez de vous brûler. Soyez très prudent pour éviter les brûlures.

L'appareil doit être nettoyé après chaque utilisation et un nettoyage supplémentaire peut être nécessaire dans certaines conditions, lors de sécheresse ou après le déshiquetage.

Enlevez régulièrement les accumulations de débris sous l'appareil pour maintenir son bon fonctionnement et pour réduire les risques d'incendie. Suivez les instructions ci-dessous et communiquez avec votre concessionnaire agréé si vous avez des questions.

- Laissez refroidir l'appareil pendant au moins cinq minutes dans une aire ouverte avant de le nettoyer.

Note : Il n'est pas conseillé d'utiliser une laveuse à pression ou un boyau de jardinage pour nettoyer l'appareil, sauf le dessous. Les composants électriques, les fusées, les poulies, les roulements ou le moteur peuvent être endommagés. Le nettoyage à l'eau réduit la durée de vie et la performance de l'appareil.

- Nettoyez les pièces sous le capot : le collecteur d'échappement et les fusibles, le câblage électrique et les faisceaux, le tuyau du silencieux, le pare-chaleur du silencieux, les grilles d'entrée d'air du moteur et les ailettes de refroidissement, entre autres. Voir Figure 32.

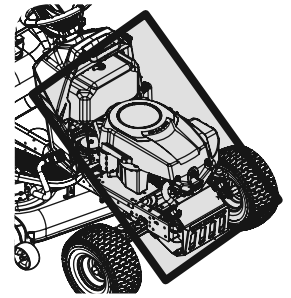


Figure 32

- Nettoyez la partie supérieure du plateau de coupe, la partie sous le couvercle des fusées et la partie autour des courroies. Voir Figure 33.

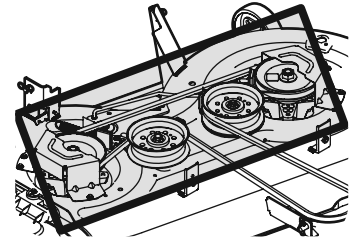


Figure 33

- Gardez l'essieu ainsi que la partie autour de la transmission et du ventilateur propres. Voir Figure 34.

- Les débris peuvent s'accumuler n'importe où sur le tracteur, surtout sur les surfaces horizontales. Un nettoyage supplémentaire peut être nécessaire après le déshiquetage ou dans des conditions de sécheresse.

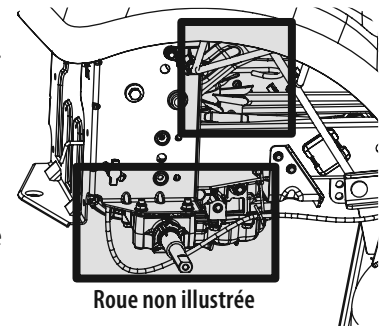


Figure 34

- Les débris peuvent s'accumuler en cas de fuites de carburant, d'huile ou d'excédent de lubrifiant. Faites immédiatement les réparations et nettoyez l'huile et le carburant répandus pour réduire les risques d'incendie.
- Nettoyez l'appareil après chaque utilisation et avant le remisage. De plus, ne coupez pas l'herbe très haute de 25 cm ou plus (10 po ou plus), l'herbe sèche (par exemple, le pâturage), ou les tas de feuilles sèches. Des débris végétaux secs peuvent s'accumuler sous le plateau de coupe et provoquer un incendie s'ils atteignent le tuyau d'échappement.

Remisage du tracteur

- Laissez le tracteur refroidir pendant au moins cinq minutes avant de le ranger.
- Ne remisez pas l'appareil près de matières inflammables (bois, vêtements ou produits chimiques), de flammes nues ou des sources d'inflammation (chaudière, chauffe-eau ou élément chauffant).
- Retirez les matières combustibles de l'appareil avant de l'entreposer. Videz les bacs récupérateurs ou les contenants.
- Si l'appareil est doté d'une soupape d'arrêt, fermez-la toujours avant de transporter ou d'entreposer l'appareil.
- Vérifiez régulièrement le système d'alimentation (les conduits, le réservoir, le bouchon et les raccords) pour déceler les fissures et les fuites. Effectuez les réparations nécessaires et nettoyez au besoin.

ENTRETIEN ET RÉPARATION

Entretien

Moteur

⚠ AVERTISSEMENT

Laissez refroidir l'appareil dans une aire ouverte avant de le ranger ou de faire le plein.

Consultez la notice d'utilisation du moteur pour les questions et les procédures d'entretien du moteur.

Note : L'entretien, la réparation et le remplacement des dispositifs et des systèmes anti-pollution qui ne sont pas couverts par la garantie (aux frais du propriétaire) peuvent être effectués par n'importe qui. Les réparations dans le cadre de la garantie doivent être effectuées dans un centre de service agréé.

Changement de l'huile à moteur

⚠ AVERTISSEMENT

Lorsque l'appareil vient d'être utilisé, les surfaces en métal, le moteur et le silencieux sont brûlants. Attendez au moins cinq minutes avant de procéder, sinon vous risquez de vous brûler. Soyez très prudent pour éviter les brûlures.

NOTE : Le filtre à huile doit être remplacé à chaque changement d'huile.

Procédez comme suit pour effectuer un changement d'huile :

1. Laissez le moteur en marche pendant quelques minutes pour que l'huile du moteur se réchauffe. L'huile chaude s'écoule plus facilement et évacue plus d'impuretés. Soyez prudent pour ne pas vous brûler avec l'huile chaude.
2. Soulevez le capot du tracteur et repérez la soupape de vidange d'huile située sur le côté du moteur.
3. Placez un récipient adéquat d'une capacité d'une capacité minimum de 2,36 l (2,5 quarts) sous l'extrémité du boyau de vidange d'huile pour recueillir l'huile usée. Enlevez le bouchon de remplissage et la jauge d'huile du tube de remplissage d'huile.
4. Retirez le capuchon protecteur de la soupape de vidange. Voir Figure 35.

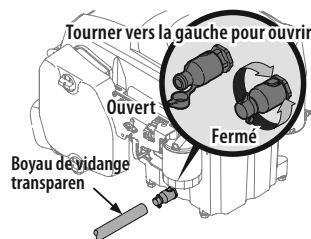


Figure 35

5. Enlevez le bouchon de remplissage et la jauge d'huile du tube de remplissage d'huile.
6. Installez le boyau de vidange d'huile (emballé avec ce manuel) sur la soupape de vidange. Placez l'extrémité libre du boyau de vidange d'huile dans un récipient adéquat d'une capacité minimum de 2,36 l (2,5 quarts) pour recueillir l'huile usée.

7. L'orifice d'évacuation du moteur est doté d'une soupape de vidange qu'il faut tourner et tirer pour vidanger. Tournez la soupape de vidange d'huile d'un quart de tour vers la gauche, puis tirez-la vers l'extérieur pour vidanger l'huile. Après avoir vidangé l'huile, poussez la soupape de vidange vers l'intérieur et tournez-la d'un quart de tour vers la droite pour la fixer. Remplacez le capuchon protecteur pour empêcher les débris de pénétrer dans la soupape de vidange.
8. Remplacez le filtre à huile et remplissez le moteur avec de l'huile neuve selon les instructions de la notice d'utilisation du moteur.

NOTE : Placez un chiffon absorbant sous le filtre à huile pour éviter de salir la poulie du moteur.

NOTE : Respectez la législation sur l'élimination des déchets liquides (essence, huile, etc.) afin de préserver l'environnement.

NOTE : L'entretien, la réparation et le remplacement des dispositifs et des systèmes anti-pollution qui ne sont pas couverts par la garantie (aux frais du propriétaire) peuvent être effectués par n'importe quel centre de service ou par tout individu. Les réparations dans le cadre de la garantie doivent être effectuées dans un centre de service agréé.

Lubrification

⚠ AVERTISSEMENT

Avant de lubrifier, de réparer ou d'inspecter l'appareil, débrayez toujours la prise de force, engagez le frein de stationnement, arrêtez le moteur et retirez la clé de contact afin d'empêcher un démarrage accidentel.

Lubrifiez tous les points de pivotement avec une huile de graissage de qualité. Consultez le calendrier d'entretien de ce manuel pour des renseignements sur l'entretien de l'appareil.

Lubrification des roues avant

Les essieux et les jantes des roues avant sont équipés de raccords de graissage. L'emplacement du raccord de graissage des essieux est indiqué à la Figure 36 et celui du raccord de graissage des jantes à la Figure 37. Utilisez un pistolet de graissage et de la graisse tout usage n° 2 pour lubrifier chaque raccord selon le calendrier d'entretien.

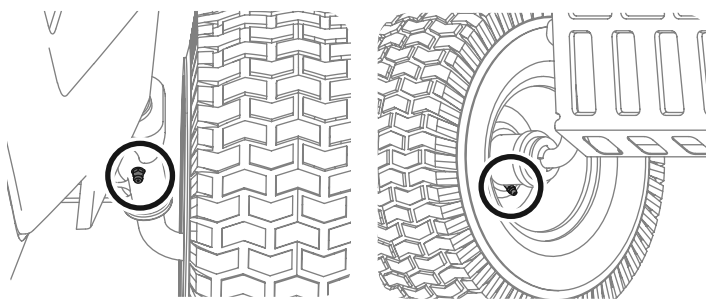


Figure 36

Figure 37

Lubrification des roues du plateau de coupe

Les roues du plateau de coupe sont dotées d'un raccord de graissage (les plateaux de coupe de 50 po et 54 po ont quatre roues). Utilisez un pistolet de graissage et de la graisse tout usage n° 2 pour lubrifier chaque raccord selon le calendrier d'entretien.

Lubrification des points de pivotement et la tringlerie

Lubrifiez tous les points de pivotement du système d'entraînement, du frein de stationnement et de la tringlerie de relevage avec de l'huile légère selon le calendrier d'entretien.

NOTE : Il n'est pas nécessaire de graisser le pignon de direction ni le secteur denté, sinon cela causera une accumulation de saleté, ce qui peut nuire au système de direction.

Transmission hydrostatique

La transmission hydrostatique est scellée en usine et ne nécessite aucun entretien. Il n'est pas possible de vérifier le niveau de fluide ou de changer le fluide dans la transmission.

Entretien du pare-étincelles (le cas échéant)

Le pare-étincelles doit être retiré, inspecté et nettoyé régulièrement. Consultez le calendrier d'entretien à cet effet. Inspectez visuellement la grille pour vous assurer qu'il n'y a pas de déchirures, de fils sectionnés ou des ruptures de soudure. Si tel est le cas, remplacez le pare-étincelles. Si la grille est en bon état, brossez-le pour enlever la poussière et les particules de carbone.

Pneus

Gardez les pneus gonflés aux pressions recommandées. Une pression inadéquate réduit la durée de vie des pneus. La pression recommandée est indiquée sur le flanc du pneu. Consultez le calendrier d'entretien de ce manuel pour des renseignements sur leur entretien.

Suivez les conseils ci-dessous :

- Ne gonflez pas un pneu à une pression supérieure à celle indiquée sur le flanc du pneu.
- Ne regonflez pas un pneu qui a roulé à plat ou un pneu très sous gonflé. Faites examiner le pneu par un mécanicien qualifié.

ENTRETIEN ET RÉPARATION

Entreposage pour l'hiver

Si vous n'utilisez pas le tracteur pendant une longue période (de trente jours à environ six mois), préparez-le pour l'entreposage. Entrez l'appareil dans un endroit sec et bien protégé. Si vous le remisez à l'extérieur, couvrez l'appareil (y compris les pneus) pour le protéger des intempéries. Procédez comme suit pour l'entreposer :

1. Changez l'huile à moteur et remplacez le filtre en suivant les instructions fournies dans la notice d'utilisation du moteur.

AVERTISSEMENT

Ne remisez jamais l'appareil avec du carburant dans un endroit mal aéré ou à l'intérieur car les vapeurs de carburant pourraient entrer en contact avec une flamme nue, une étincelle ou une veilleuse d'allumage comme celle d'une chaudière, d'un chauffe-eau, d'une sècheuse, etc.

2. Si l'appareil est remis pendant 30 jours ou plus :
 - a. Pour éviter le mauvais fonctionnement du moteur et la formation de dépôts de gomme dans le carburateur, vidangez complètement le système d'alimentation ou ajoutez un stabilisateur au carburant.
 - b. Utilisez un stabilisateur de carburant lorsque l'appareil est remis pour une période de 30 à 90 jours :
 - Lisez les instructions et les recommandations du fabricant du produit.
 - Ajoutez la quantité adéquate de stabilisateur à l'essence propre et fraîche en fonction de la capacité (approximativement 3 gallons) du système d'alimentation.
 - Remplissez le réservoir de carburant avec le carburant traité et faites fonctionner le moteur pendant deux à trois minutes pour que le carburant se répande dans le carburateur.
 - Pendant le remisage, le carburant dans le réservoir risque de se détériorer et de causer de graves problèmes de démarrage.
 - c. Vidangez le système d'alimentation si l'appareil est remis pour plus de 90 jours :
 - Avant de remiser l'appareil, assurez-vous de vider le réservoir de carburant.
 - Faites fonctionner le moteur jusqu'à ce qu'il cale. Utilisez l'étrangleur pour faire fonctionner le moteur jusqu'à ce que le réservoir de carburant soit vide.
 - Consultez la notice d'utilisation du moteur pour les instructions sur la vidange de carburant.
3. Nettoyez bien le moteur et l'appareil.

Note : Il n'est pas conseillé d'utiliser une laveuse à pression ou un boyau de jardinage pour nettoyer l'appareil, sauf le dessous. Les composants électriques, les fusées, les poulies, les roulements ou le moteur peuvent être endommagés. Le nettoyage à l'eau réduit la durée de vie et la performance de l'appareil.

4. Nettoyez et rechargez la batterie. Débranchez le câble négatif de la batterie pour empêcher sa décharge. Rechargez la batterie régulièrement pendant l'entreposage.

Note : Retirez la batterie de l'appareil si elle est exposée à des températures inférieures à zéro pendant de longues périodes. Rangez la batterie dans un endroit frais et sec où la température ambiante est supérieure à zéro.

5. Lubrifiez tous les points de lubrification.

Remise en service du tracteur

1. Vérifiez l'huile à moteur.
2. Chargez la batterie. Gonflez les pneus à la pression recommandée. La pression recommandée est indiquée sur le flanc du pneu.
3. Remplissez le réservoir avec de l'essence propre et fraîche.
4. Démarrez le moteur et laissez-le tourner pendant quelques minutes pour vous assurer qu'il fonctionne correctement.
5. Conduisez l'appareil sans aucune charge pour vous assurer que tous les systèmes fonctionnent correctement.

Réglages

Mise à niveau du plateau de coupe

Si le plateau de coupe tond de manière inégale, effectuez un réglage latéral du plateau de coupe.

AVERTISSEMENT

Lorsque l'appareil vient d'être utilisé, les surfaces en métal, le moteur et le silencieux sont brûlants. Attendez au moins cinq minutes avant de procéder, sinon vous risquez de vous brûler. Soyez très prudent pour éviter les brûlures.

NOTE : Vérifiez la pression des pneus de l'appareil avant de faire une mise à niveau du plateau de coupe. Consultez la section Pneus pour plus de renseignements sur la pression des pneus.

Mise à niveau latérale du plateau de coupe

1. Stationnez l'appareil sur une surface plane et solide, puis placez le levier de relevage du plateau de coupe dans la position centrale. Faites pivoter les deux lames de façon à ce qu'elles soient perpendiculaires à l'appareil.
2. Mesurez la distance entre l'extrémité extérieure de la lame gauche et le sol ainsi que la distance entre l'extrémité extérieure de la lame droite et le sol. Les deux mesures doivent être égales. Si elles ne le sont pas, passez à l'étape suivante.
3. Une tige de réglage se trouve sous chaque aile arrière, près des roues. Voir Figure 38.
4. Utilisez cette tige pour effectuer des réglages mineurs.
5. Pour relever le côté gauche du plateau de coupe, desserrez l'écrou supérieur au bout de la tige avant de le tourner vers la droite. Après avoir effectué le réglage approprié, serrez l'écrou pour retenir la tige. Pour abaisser le côté gauche du plateau, desserrez l'écrou supérieur au bout de la tige avant de le tourner vers la gauche. Après avoir effectué le réglage approprié, serrez l'écrou à un couple de 34-40 N m (25-30 pi-lb).
6. Le plateau de coupe est bien équilibré lorsque les deux mesures effectuées à l'étape précédente sont égales.

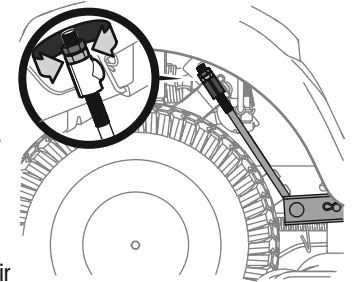


Figure 38

Mise à niveau de l'avant à l'arrière

L'avant du plateau de coupe est soutenu par un support avant qui peut être ajusté pour régler le plateau de coupe. L'avant du plateau de coupe doit être de 6,35 à 9,5 mm ($\frac{1}{4}$ po à $\frac{3}{8}$ po) plus bas que l'arrière. Si nécessaire, effectuez le réglage comme suit :

1. Stationnez l'appareil sur une surface plane et solide, puis placez le levier de relevage du plateau de coupe dans la position centrale. Faites pivoter les deux lames de façon à ce qu'elles soient perpendiculaires à l'appareil.
2. Mesurez la distance entre l'extrémité avant de la lame et le sol ainsi que la distance entre l'extrémité arrière de la lame et le sol. L'avant du plateau de coupe doit être de 6,35 à 9,5 mm ($\frac{1}{4}$ po à $\frac{3}{8}$ po) plus bas que l'arrière.
3. Déterminez la distance approximative nécessaire pour assurer le réglage approprié du plateau de coupe, puis passez à l'étape suivante, si nécessaire.

ENTRETIEN ET RÉPARATION

4. Pour *relever* l'avant du plateau de coupe, desserrez l'écrou supérieur, puis serrez l'écrou inférieur (tournez vers la droite). Voir Figure 39. Une fois le réglage approprié effectué, serrez l'écrou supérieur à un couple de 34-40 N m (25-30 pi-lb).
5. Pour *abaisser* l'avant du plateau de coupe, desserrez l'écrou supérieur, puis l'écrou inférieur (tournez vers la gauche). Voir Figure 39. Une fois le réglage approprié effectué, serrez l'écrou supérieur.

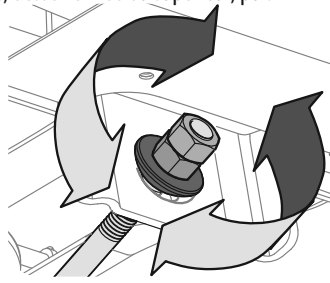


Figure 39

Réglage des roues du plateau de coupe

⚠ AVERTISSEMENT

N'approchez pas vos mains ou vos pieds de l'ouverture d'éjection du plateau de coupe.

NOTE : Les roues du plateau de coupe préviennent le dégazonnement de la pelouse et ne sont pas conçues pour soutenir le plateau de coupe.

Lorsque vous ajustez la hauteur du plateau de coupe, réglez également les roues du plateau de coupe pour qu'elles soient de $\frac{1}{4}$ po à $\frac{1}{2}$ po du sol. Consultez la section Assemblage pour plus de détails sur le réglage des roues du plateau de coupe.

Entretien

Système électrique

Un fusible est installé dans le câblage électrique pour protéger le système électrique de l'appareil contre tout dommage causé par une intensité trop élevée. Remplacez toujours un fusible par un autre fusible de même intensité. Si le système électrique ne fonctionne pas, vérifiez si le fusible a sauté.

En cas de problème récurrent de fusible sauté, faites examiner le système électrique dans un centre de service agréé.

Relais et interrupteurs

Des interrupteurs de sécurité sont installés dans le système électrique. Si le système de verrouillage de sécurité ne fonctionne pas, faites examiner le système électrique dans un centre de service agréé.

Réglage du frein de stationnement

Si l'appareil ne s'immobilise pas complètement lorsque la pédale de frein est enfoncée, ou si les roues arrière tournent alors que le frein de stationnement est engagé (et la soupape de dérivation hydrostatique est ouverte), il est nécessaire de régler le frein. Contactez un centre de service agréé pour faire ajuster le frein.

Réglage du neutre de la transmission hydrostatique

Si le tracteur avance ou recule sans que la pédale de marche avant ou de marche arrière soit appuyée, consultez un concessionnaire autorisé pour faire régler le neutre.

Géométrie des roues

Si le tracteur dévie ou n'est pas aligné, il faut régler la géométrie des roues. Communiquez avec un concessionnaire agréé pour faire effectuer ce réglage.

Démontage du plateau de coupe

⚠ AVERTISSEMENT

Faites attention de ne pas pincer vos doigts lorsque vous retirez la courroie de la poulie.

Procédez comme suit pour démonter le plateau de coupe :

1. Stationnez l'appareil sur une surface plate, débrayez la prise de force, arrêtez le moteur et serrez le frein de stationnement.
2. Placez le levier de relevage du plateau de coupe dans l'encoche inférieure sur l'aile droite de l'appareil pour abaisser le plateau.
3. Pour les modèles dotés d'une prise de force manuelle, passez à l'étape 4. Pour ceux dotés d'une prise de force électrique, passez à l'étape 8.
4. Desserrez l'écrou autobloquant de la poulie de tension droite et le boulon de la poulie de tension gauche, mais ne les retirez pas.
5. Retirez le boulon fixant la tige de retenue de la poulie du moteur au châssis. Voir Figure 40.
6. Déplacez la tige vers la droite pour la retirer.

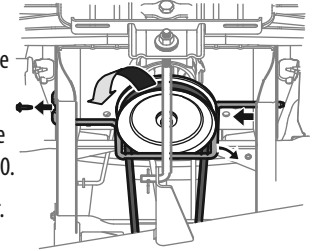


Figure 40

NOTE : Assurez-vous de ne pas endommager le faisceau de fils lorsque vous retirez la tige.

7. Retirez la goupille qui fixe le câble de la prise de force au support sur le plateau de coupe, faites glisser le câble hors de la prise de force et décrochez le ressort du support de la poulie de tension. Voir Figure 41.

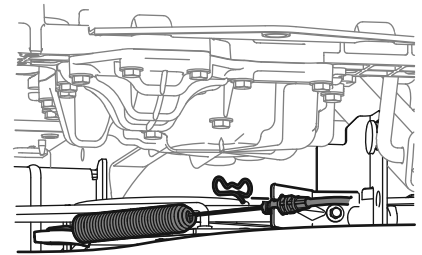


Figure 41

8. À partir du côté droit de l'appareil, insérez une clé à rochet de 3/8 po (réglée pour desserrer) dans le trou carré sur le support de la poulie de tension. Voir Figure 42.
9. Déplacez la clé vers l'avant pour bouger la poulie d'entraînement du plateau. Voir Figure 42.
10. Retirez avec précaution la courroie de la poulie de la prise de force.

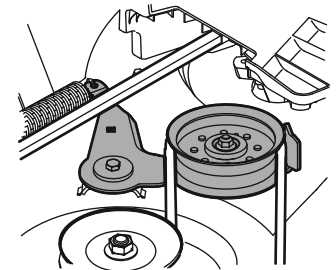


Figure 42

11. Placez-vous sur le côté gauche du plateau de coupe pour trouver la goupille située à l'arrière gauche. Voir Figure 43.
12. Retirez la goupille et faites sortir la goupille du bras de relevage. Voir Figure 43.
13. Répétez les étapes 11 et 12 sur le côté droit.

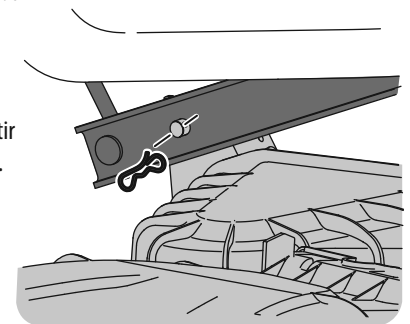


Figure 43

ENTRETIEN ET RÉPARATION

- Retirez la goupille fendue qui fixe la tige de relevage avant au plateau. Voir Figure 44. Faites sortir la tige de relevage du support avant.
- Placez le levier de relevage dans l'encoche supérieure pour relever et retenir les bras de relevage.
- Faites glisser le plateau de coupe du dessous du tracteur.

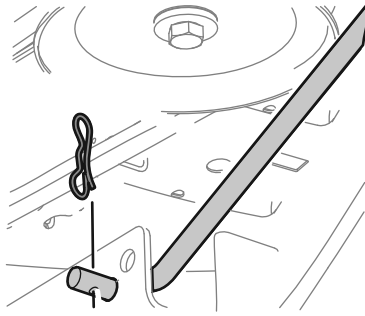


Figure 44

Retrait des lames

⚠ AVERTISSEMENT

- Arrêtez le moteur et retirez la clé de contact avant de démonter les lames de coupe pour les aiguiser ou les remplacer. Avant de manipuler une lame, portez des gants épais pour protéger vos mains.
- Examinez régulièrement les lames et les fusées pour vous assurer qu'elles ne sont pas fendues ou endommagées, surtout si l'appareil a heurté un objet. N'utilisez pas l'appareil si les pièces endommagées ne sont pas remplacées.
- Si le bord tranchant a déjà été aiguisé ou si une séparation des couches métalliques s'est produite, remplacez la lame.

Lames FastAttach^{MC} (le cas échéant)

- Réglez le plateau de coupe sur la plus haute position.
- Passez votre doigt avec précaution pour repérer les rainures de la bague de verrouillage de chaque côté de la lame.
- Poussez la bague de verrouillage vers le haut et retenez-la. Voir Figure 45.
- Placez la bague de verrouillage vers le haut et tournez la lame vers la gauche pour la dégager de la bague. Voir Figure 46.
- Lorsque le trou au centre de la lame s'aligne avec le support de retenue, tirez sur la lame. Voir Figure 47.

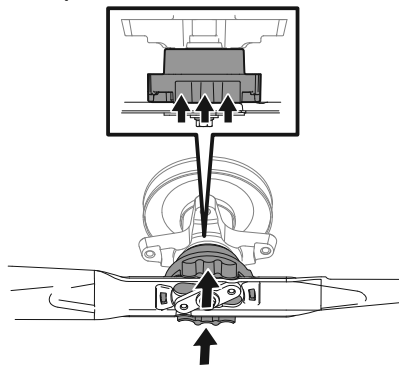


Figure 45

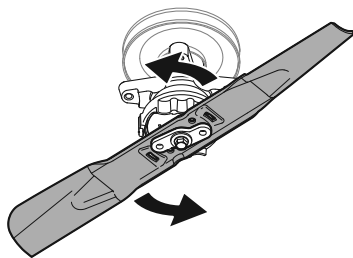


Figure 46

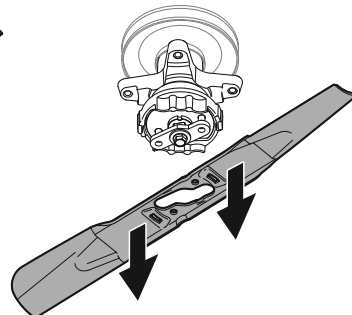


Figure 47

Lame standard (le cas échéant)

- Enlevez le plateau de coupe de l'appareil (voir Démontage du plateau de coupe), puis retournez-le afin de pouvoir travailler sur le dessous.
- Placez un morceau de bois entre le boîtier du plateau de coupe et la lame de coupe pour empêcher tout mouvement. Voir Figure 48.
- Retirez l'écrou à bride qui fixe la lame à la fusée assemblée.

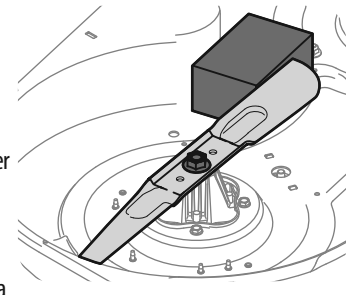


Figure 48

Installation de la lame

Lames FastAttach^{MC} (le cas échéant)

- Réglez le plateau de coupe sur la plus haute position.
- Placez le côté de la lame sur lequel est inscrit « Grass Side » (côté gazon) vers le bas.
- Placez la lame sous la fusée et alignez l'ouverture au centre de la lame dans le support de retenue. Voir Figure 49.
- Poussez la lame vers le haut contre l'adaptateur jusqu'à ce que la bague de verrouillage soit relevée. Voir Figure 45.
- Tournez la lame vers la droite pour l'aligner avec l'adaptateur. Voir Figure 50.
- Vous entendrez un déclic lorsque la lame s'enclenche bien. Voir Figure 51.

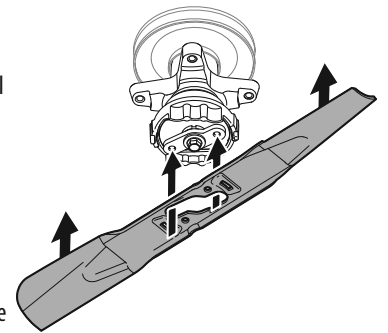


Figure 49

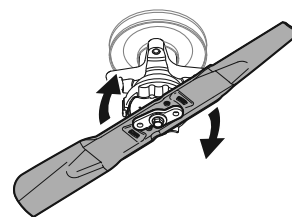


Figure 50

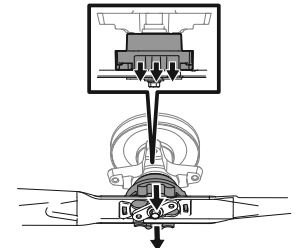


Figure 51

Lame standard (le cas échéant)

- Après avoir enlevé le plateau de coupe, retournez-le pour avoir accès au dessous.
- Alignez le trou au centre de la lame avec le support de retenue en forme de S au bas de la fusée et placez la lame.
- Placez un morceau de bois entre le boîtier du plateau de coupe et la lame de coupe pour empêcher tout mouvement. Voir Figure 48.
- Vissez l'écrou à bride qui fixe la lame à la fusée assemblée.
- Utilisez une clé dynamométrique pour serrer l'écrou à bride sur la fusée assemblée à un couple de 95-122 N m (70-90 pi-lb).

NOTE : Lorsque vous remplacez une lame, installez la lame de façon à ce que le côté marqué « BOTTOM » (ou estampé du numéro de pièce) soit face au sol.

ENTRETIEN ET RÉPARATION

Aiguisage des lames

1. Pour aiguiser correctement les lames de coupe, aiguissez les deux tranchants des lames de façon égale, parallèlement à la voile, à un angle de 25 à 30 degrés. Aiguissez toujours chaque lame de coupe de façon égale pour assurer l'équilibre des lames. Voir Figure 52.
2. Vérifiez l'équilibre de la lame avec un équilibreur de lame. Limez le métal du côté le plus lourd de la lame jusqu'à ce que la lame soit bien équilibrée.

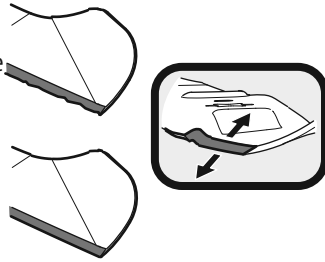


Figure 52

⚠ AVERTISSEMENT

Une lame mal équilibrée peut causer des vibrations excessives et entraîner des dommages matériels ou des blessures corporelles.

Remplacement de la courroie du plateau et remise en place du plateau de coupe

⚠ ATTENTION

Les courroies trapézoïdales du tracteur sont conçues pour un engagement et un désengagement sans danger. L'emploi d'une courroie de remplacement qui n'est pas une pièce d'origine peut s'avérer dangereux car cette courroie risque de ne pas se désengager complètement. N'utilisez que des courroies approuvées par le fabricant.

Toutes les courroies sur le tracteur sont sujettes à l'usure. Remplacez toute courroie usée. Procédez comme suit pour remplacer une courroie du plateau de coupe :

1. Retirez la courroie comme indiqué dans la section Démontage du plateau de coupe.
2. Desserrez la quincaillerie de la poulie de tension droite et de celle de gauche. Ne la retirez pas.
NOTE : Sur certains modèles de plateau de coupe, il faut peut-être enlever les couvercles de fusée pour pouvoir retirer et installer la courroie neuve. Pour enlever les couvercles de fusée, retirez les boulons qui les retiennent au plateau de coupe.
3. Retirez avec précaution la courroie des poulies de tension et des poulies de fusée.
4. Placez la courroie neuve comme indiqué aux figures suivantes. Voir la Figure 53 pour les modèles dotés d'un plateau de coupe de 42 po, la Figure 53 pour les plateaux de 46 po et la Figure 55 pour ceux de 50 po et de 54 po.

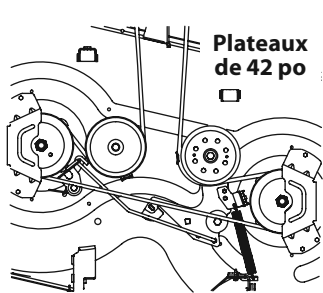


Figure 53

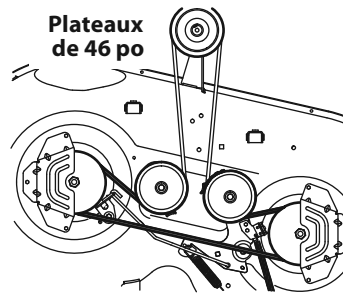


Figure 54

Plateaux 50 po et de 54 po

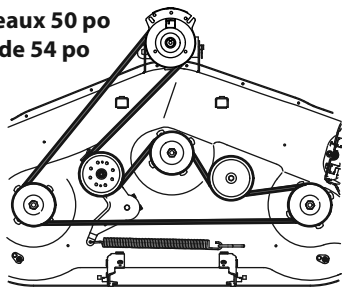


Figure 55

NOTE : Utilisez une clé à rochet de $\frac{3}{8}$ po comme indiqué aux étapes précédentes pour installer la courroie neuve.

5. Vérifiez que la courroie est correctement installée sur les poulies de tension et dans les garde-courroies. Si les poulies de tension ont été desserrées, resserrez-les à un couple de 29 à 35 N m (de 256 à 313 po-lb).
6. Si le couvercle de courroie a été retiré, remplacez-le.
7. Installez le plateau de coupe et assurez-vous que la courroie demeure bien placée autour des poulies.
8. Pour les modèles dotés d'une prise de force manuelle, remplacez la tige de retenue de la poulie du moteur et le câble de la prise de force.
9. Tirez sur le côté droit de la courroie et placez le côté plus étroit en forme de « V » de la courroie dans la poulie de la prise de force. Voir Figure 56.
10. Tenez la courroie et la poulie, puis faites pivoter la poulie vers la gauche. Continuez à tenir et à faire pivoter la poulie et la courroie jusqu'à ce que la courroie soit complètement enroulée autour de la poulie de la prise de force.

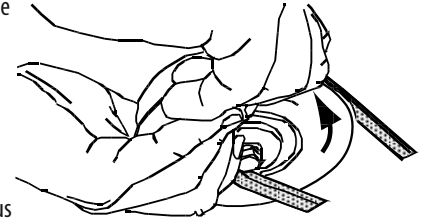


Figure 56

Retrait du grillage de protection

⚠ AVERTISSEMENT

Le système d'échappement et les surfaces environnantes sont chauds. Pour éviter tout risque de blessures, laissez l'appareil refroidir avant d'installer le grillage de protection ou de le retirer.

1. Retirez les deux goupilles fendues avant d'enlever les axes de chape. Voir Figure 57.
2. Retirez le grillage de protection. Voir Figure 58.

Note : Il n'est pas nécessaire d'enlever les attaches FastAttach^{MC} qui peuvent être avec des accessoires FastAttach^{MC}. Contactez votre concessionnaire pour avoir la liste des produits offerts.

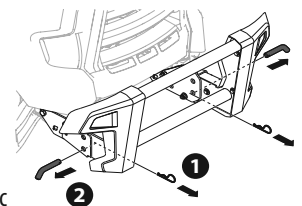


Figure 57

Remplacement de la courroie d'entraînement de la transmission

Certaines pièces doivent être démontées et des outils spéciaux sont nécessaires pour remplacer la courroie d'entraînement de la transmission. Contactez un centre de service agréé pour faire remplacer la courroie d'entraînement.

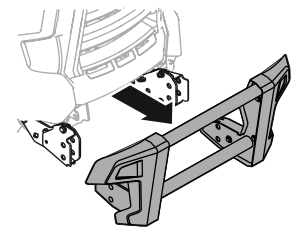


Figure 58

DÉPANNAGE

AVERTISSEMENT

Avant d'effectuer tout travail d'entretien, désengagez les commandes, arrêtez le moteur et attendez l'arrêt complet des pièces en mouvement. Débranchez le fil de bougie et mettez-le à la masse contre le moteur pour que ce dernier ne démarre pas. Portez des lunettes de protection lorsque vous utilisez l'appareil ou vous effectuez un réglage ou une réparation..

Cette section traite des problèmes mineurs. Consultez le document séparé pour trouver un centre de service dans votre région.

Problème	Raison	Solution
Le moteur ne démarre pas	<ol style="list-style-type: none"> 1. La prise de force est embrayé. 2. Le frein de stationnement n'est pas engagé. 3. Le fil de bougie est débranché. 4. Le levier d'accélérateur n'est pas à la position de démarrage. 5. Le réservoir d'essence est vide ou l'essence est éventée. 6. Le conduit d'essence est bouché. 7. La bougie d'allumage est défectueuse. 8. Le moteur est noyé. 9. Un fusible a sauté. 	<ol style="list-style-type: none"> 1. Poussez le bouton de la prise de force vers l'intérieur. 2. Engagez le frein de stationnement. 3. Branchez le fil à la bougie d'allumage. 4. Placez le levier d'accélération à la position RAPIDE. 5. Remplissez le réservoir avec de l'essence propre et fraîche. 6. Remplacez le conduit d'essence. Consultez un centre de service agréé. Remplacez le filtre à carburant. Consultez la section Entretien et réparation. 7. Nettoyez la bougie, remplacez-la ou ajustez son écartement. 8. Faites tourner le moteur à plein régime. 9. Remplacez le fusible.
Le moteur tourne irrégulièrement	<ol style="list-style-type: none"> 1. L'appareil fonctionne alors que le levier d'étrangleur est actionné. 2. Les fils de bougie sont lâches. 3. Le conduit d'essence est bouché ou l'essence est éventée. 4. L'évent du bouchon du réservoir est bouché. 5. Il y a de l'eau ou de la saleté dans le circuit d'alimentation. 6. Le filtre à air est sale. 	<ol style="list-style-type: none"> 1. Vérifiez si l'étrangleur électrique fonctionne. Communiquez avec un centre de service agréé. 2. Branchez les fils de bougie et serrez-les. 3. Remplacez le conduit d'essence. Consultez un centre de service agréé. Remplissez le réservoir avec l'essence propre et fraîche. Consultez la section Entretien et réparation. 4. Nettoyez l'évent ou remplacez le bouchon s'il est endommagé. 5. Vidangez le réservoir d'essence. Faites le plein d'essence propre et fraîche. Consultez la section Entretien. 6. Remplacez l'élément en papier du filtre à air ou nettoyez le pré-filtre en mousse.
Le moteur surchauffe	<ol style="list-style-type: none"> 1. Le niveau d'huile à moteur est bas. 2. Le débit d'air est restreint. 	<ol style="list-style-type: none"> 1. Faites le plein avec le type d'huile et la quantité d'huile recommandés. 2. Nettoyez autour des ailettes de refroidissement et autour du boîtier du ventilateur.
Le moteur a des ratés à haute vitesse	<ol style="list-style-type: none"> 1. L'écartement de la bougie est trop petit. 	<ol style="list-style-type: none"> 1. Retirez la bougie d'allumage et ajustez l'écartement.
Le moteur tourne irrégulièrement au ralenti	<ol style="list-style-type: none"> 1. La bougie d'allumage est encrassée. 2. Le filtre à air est sale. 	<ol style="list-style-type: none"> 1. Retirez la bougie d'allumage et ajustez l'écartement. 2. Remplacez l'élément du filtre à air ou nettoyez le pré-filtre.
Le moteur produit des vibrations excessives	<ol style="list-style-type: none"> 1. La lame de coupe est desserrée ou mal équilibrée. 2. La lame de coupe est déformée ou endommagée. 	<ol style="list-style-type: none"> 1. Serrez la lame et la fusée. Équilibrez la lame. 2. Remplacez la lame de coupe.
L'appareil ne déchiquette pas l'herbe	<ol style="list-style-type: none"> 1. Le régime du moteur est trop bas. 2. L'herbe est mouillée. 3. L'herbe est trop haute. 4. La lame de coupe est émoussée. 	<ol style="list-style-type: none"> 1. Placez le levier d'accélérateur à la position RAPIDE (lapin). 2. Ne déchiquetez pas l'herbe mouillée. 3. Tondez l'herbe à une hauteur de coupe élevée, puis tondez à la hauteur désirée ou sur une largeur plus étroite. 4. Aiguissez la lame de coupe ou remplacez-la.
La tondeuse coupe de manière irrégulière	<ol style="list-style-type: none"> 1. Le plateau n'est pas mis à niveau. 2. La lame de coupe est émoussée. 3. La pression des pneus est inégale. 	<ol style="list-style-type: none"> 1. Effectuez la mise à niveau latérale du plateau de coupe. 2. Aiguissez la lame de coupe ou remplacez-la. 3. Vérifiez la pression des quatre pneus.