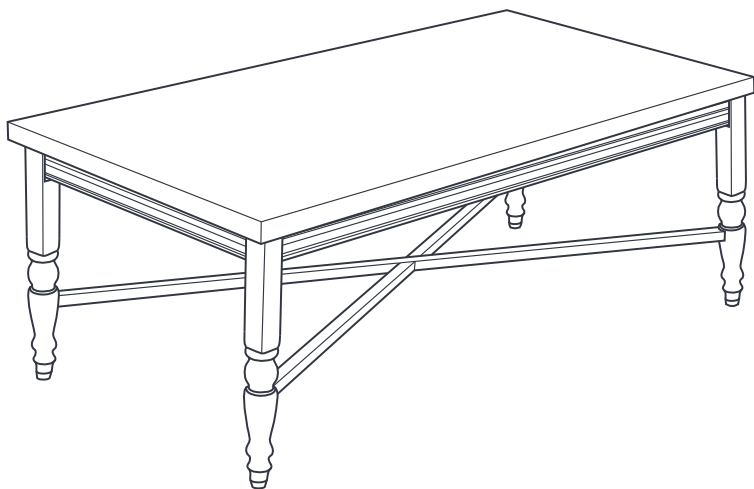


# SAYLOR

## COFFEE TABLE

### ASSEMBLY INSTRUCTIONS

---



  
**BLUE COAK™**

# **BEFORE YOU BEGIN:** **YOU ALREADY KNOW THIS, BUT** **IT'S BEST TO READ ALL THE** **INSTRUCTIONS BEFORE** **ASSEMBLY. FAILURE TO DO SO** **MAY RESULT IN FAULTY** **ASSEMBLY AND POTENTIAL** **INJURY (NO ONE WANTS THAT** **KIND OF STAIN ON THEIR PARTY** **HOSTING RECORD).**

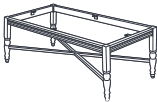

Assemble your Blue Oak™ outdoor furniture on a soft, non-abrasive surface such as a carpet or cardboard to avoid damaging the item. Seek assistance to assemble bulky or heavy items (there's no "i" in "team"). After final alignment, make sure all the bolts are securely tightened with hex caps pressed in place.

If you have issues, challenges or annoyances with this product, give us a call at 1-888-444-0367.

We're available from 8am-5pm (EST)

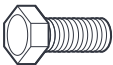




Monday-Thursday and 8am-4pm (EST) on Friday.

# PARTS

NO.	DESCRIPTION	QTY
A	Table Frame 	1
B	Table Top 	1

# HARDWARE

QTY

NO.	DESCRIPTION	
AA	M8x20 Bolt 	4
BB	Lock Washer 	4
CC	M8 Washer 	4
DD	Bolt Head Cap 	4
EE	Wrench 	1

# ASSEMBLY INSTRUCTIONS

TAKE A DEEP BREATH. WE PROMISE IT'S PRETTY SIMPLE.

*Note: Do not fully tighten the bolts until you've completed the assembly and checked to see if the alignment is correct.*

## STEP 1

Place the table top (B) and table frame (A) on a soft, non-abrasive surface such as cardboard or a blanket.

## STEP 2

See Figure 1. Use the wrench (EE) to attach the table frame (A) to the table top (B) with 4 M8x20 bolts (AA), M8 washers (CC) and lock washers (BB).

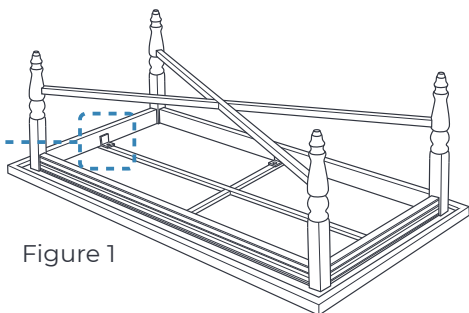
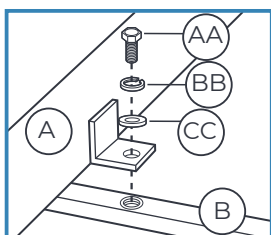
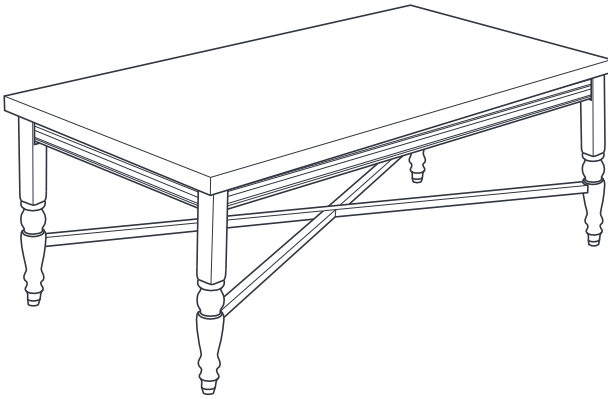
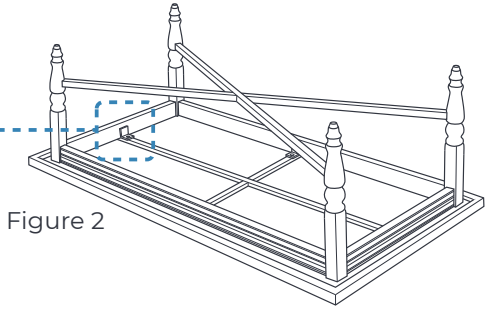
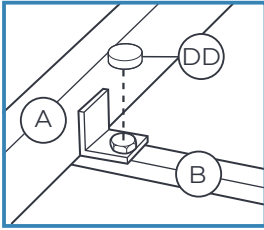


Figure 1

## STEP 3

See Figure 2. Fully tighten all bolts and apply a bolt head cap (DD) to each bolt.



## YOU'RE FINISHED!

HAVING FRIENDS AND FAMILY USE THIS TABLE IS KIND OF LIKE PUTTING CANDY BARS IN THE FREEZER. YOU DON'T HAVE TO DO IT, BUT IT'S SO MUCH BETTER WHEN YOU DO.

[BLUEOAKOUTDOOR.COM](http://BLUEOAKOUTDOOR.COM)