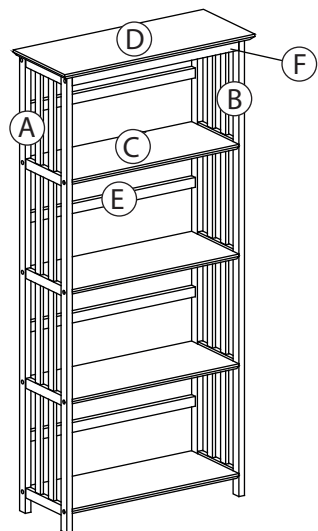


Assembly Instruction

Item No. 310-6X

5-Tier Mission Shelf 29.5"W



LIST OF WOODEN PARTS

NO	DESCRIPTION	Q'TY
A	LEFT PANEL	1
B	RIGHT PANEL	1
C	SHELVES	4
D	MANTEL TOP	1
E	BACK CROSSBARS	4
F	MANTEL TOP CROSSBARS	2

LIST OF HARDWARE

RF10003	SCREW JCA 1/4" x 32	20
RF10002	SMALL SCREWS	8
RF40001	WOOD PLUGS	20
RF40103	ALLEN KEY	1
RF10004	SHORT SCREWS	4
RF50003	L-BRACKET	2

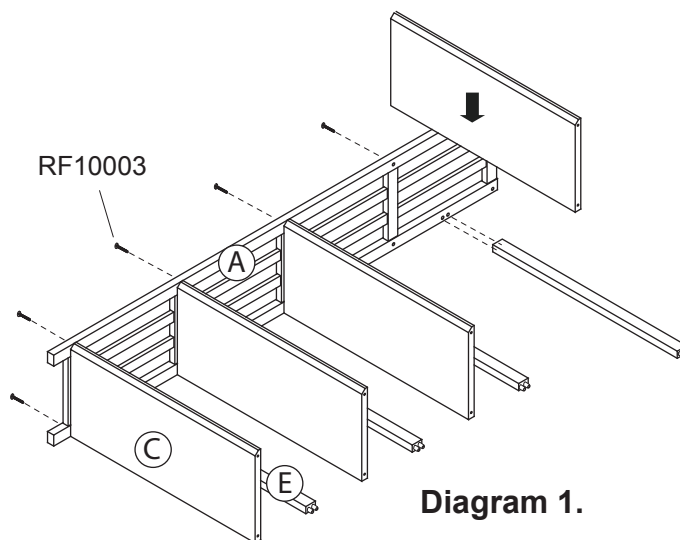
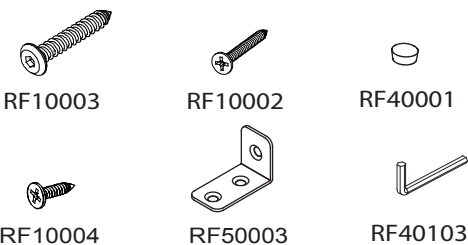


Diagram 1.

Step 1. Lay the left panel (Part A) on a soft surface .
Then attach shelves (Part C) by using screws
JCA 1/4" x 32(RF10003) and attach back crossbars
(Part E) into left panel (Part A).
Make sure the tapered edge faces upward.
BE CAREFUL, DO NOT OVER TIGHTEN THE SCREWS.
You may cover up screw holes with the enclosed wood
plugs (RF40001) as per Diag.1.

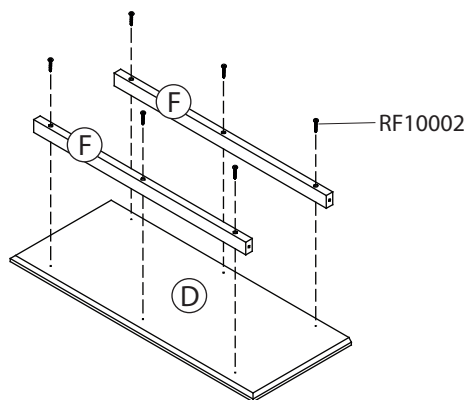


Diagram 3.

Step 3. Attach mantel top crossbars (Part F) into the
mantel top (Part D) by using small screws
(RF10002) as per Diag.3. The side with larger hole
should face away from the top.

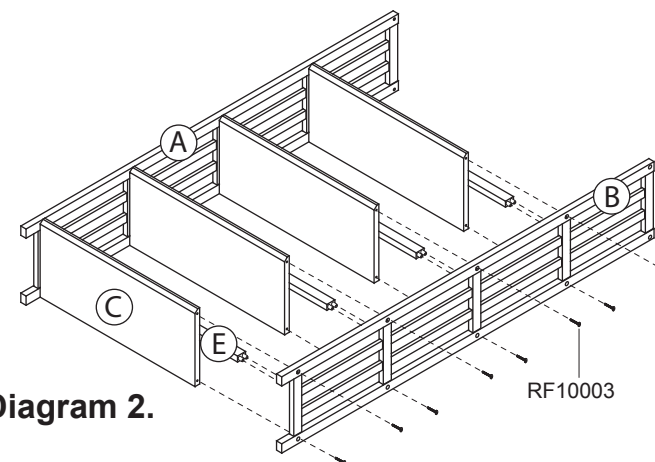


Diagram 2.

Step 2. Attach right panel (Part B) into them by using
screws JCA 1/4" x 32 (RF10003).
You may cover up screw holes with the
enclosed wood plugs (RF40001) as per Diag.2.

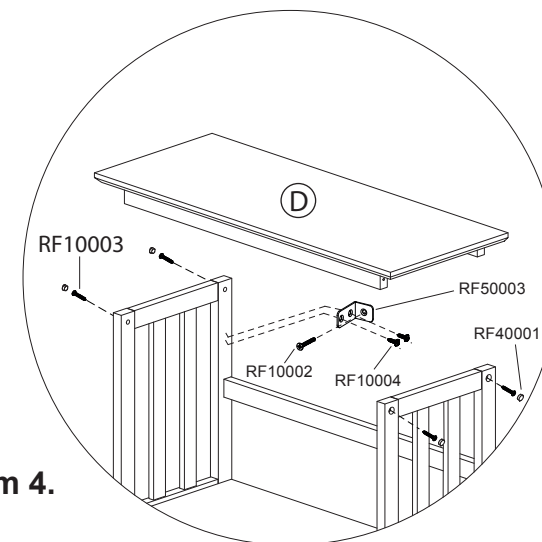


Diagram 4.

Step 4. Lift the mantel top and set it on top of
the bookcase. Fasten with screws
JCA 1/4" x 32(RF10003).
You may cover up screw holes with the
enclosed wood plugs (RF40001).as per Diag.4.

Step 5. Used 1-2 L-brackets (RF50003) and short
screws (RF10004) to attach two side panels
under the mantel top to the studs in the wall,
using screws small (RF10002) per Diag. 4.