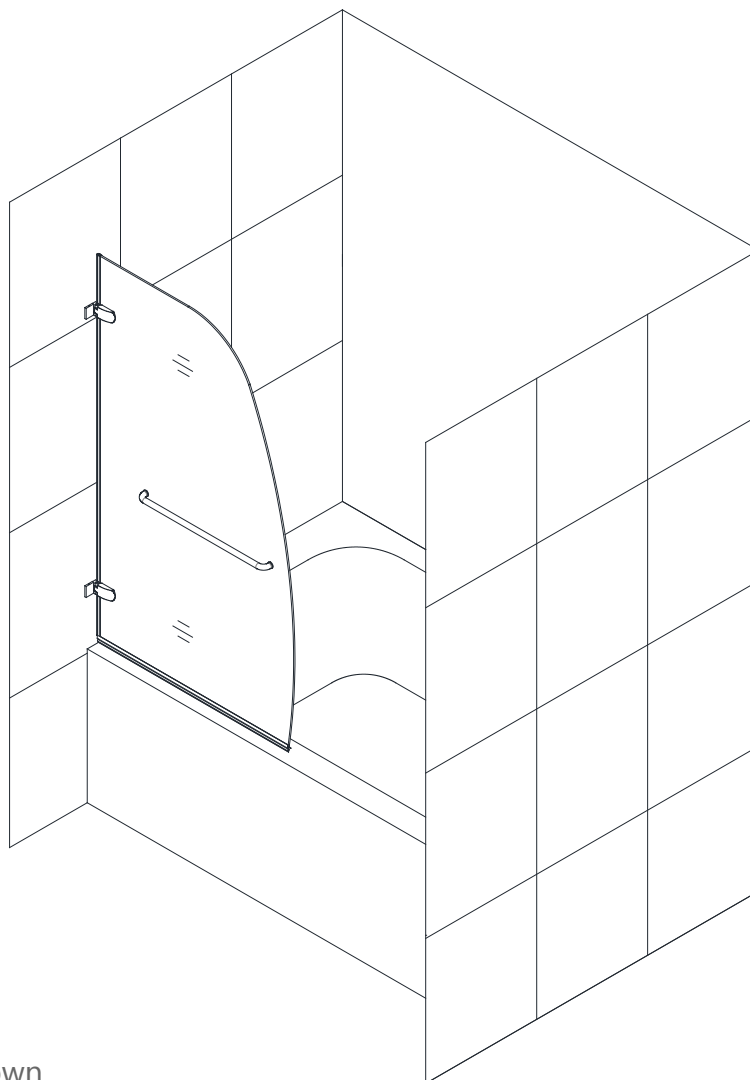


AQUA UNO

TUB DOOR INSTALLATION INSTRUCTIONS

IMPORTANT

DreamLine[®] reserves the right to alter, modify or redesign products at any time without prior notice. For the latest up-to-date technical drawings, manuals, warranty information or additional details please refer to your model's web page on **DreamLine.com**



MODEL #s

SHDR-3534586-01

SHDR-3534586-04

finish

01= Chrome

04= Brushed Nickel

Left-swing installation shown



Questions?

Please Call **DreamLine** Customer Support: **1-855-831-2126**
Hours of Operation M-F 8AM - 7PM EST and Saturday 9AM - 5PM EST

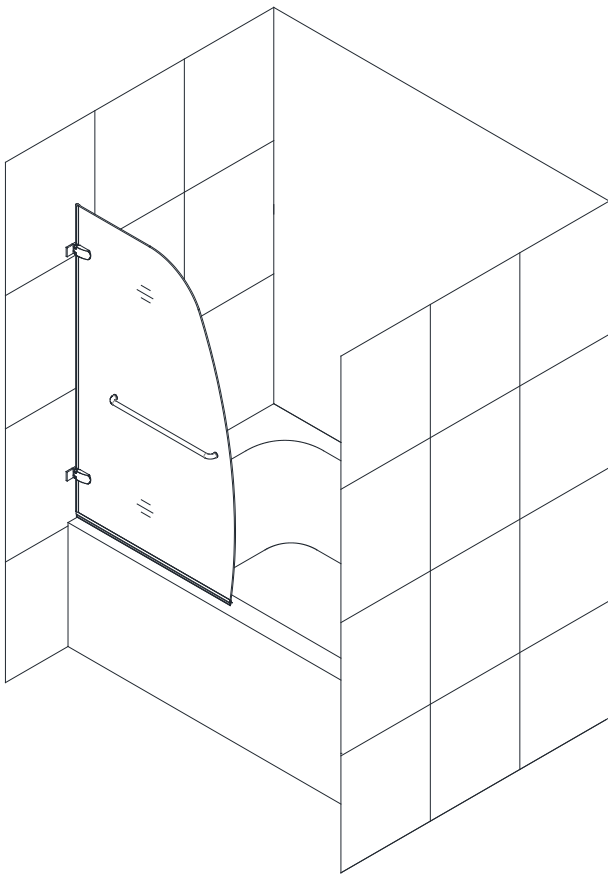
Support@DreamLine.com



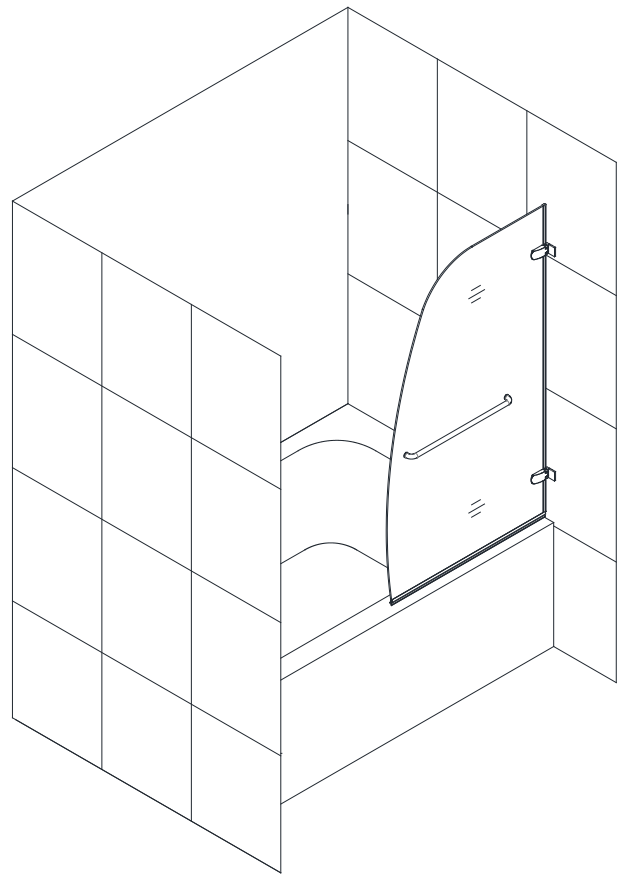
For more information about DreamLine[®] Shower Doors, Tub Doors & Enclosures, please visit **DreamLine.com**

Table of Contents

Section title	Page #
Preparation	2
Tools	3
Detailed Diagram of Shower Door Components / Parts List	4
Installation Steps	5-8
Product Maintenance	9



Left-swing installation



Right-swing installation

NOTE: The **left-swing door** installation is shown as an example throughout this manual. For the **right-swing door** installation, simply begin on the opposite wall and reverse the orientation of the steps shown.

Preparation

1. Prior to installation, examine all boxes and packages for shipping damage and compare the piece count with the packing slip. After opening all boxes and packages read this introduction carefully. Check that all of the necessary parts are included in the package by checking off the components on the "Detailed Diagram of Shower Door Components". If the unit has been damaged, has a finishing defect, or has missing parts, please contact our customer support department within **3 business days** of the delivery date. **Please note that DreamLine® will not replace any damaged products or missing parts free of charge after 3 business days or if the product has been installed.** Contact DreamLine® if you have any questions, and please provide an order number, job name or other proof of purchase to help identify the original order.

2. **Please note that you should consult your local building codes with questions on installation compliance standards. Building and plumbing codes may vary by location, and DreamLine® is not responsible for code compliance standards for your project and will not accept any returns.**

3. If this unit is going to be installed in a new construction, please install all of the required plumbing and drainage before installing the shower. Use a competent and licensed (if required by local code) plumber for all plumbing installation

4. Make sure that prior to beginning the installation, the surfaces are leveled and solid and will be able to support the total weight of the unit. Also make sure the walls are at right angles. Irregular installation surface level, radius corners or improper angle of side walls will result in serious problems for your installation. Note that some adjustments and drilling will be necessary during the installation process.

5. Protect all primary surfaces of the product during installation. Never set the glass down directly onto a tile floor. Leave corner protectors in place until necessary to remove them. Always use a piece of wood or cardboard to protect the bottom edge and corners of the glass prior to and during installation.

6. **This unit must be installed upon a finished threshold and against finished walls.**

7. This model does NOT have any adjustment for out-of-plumb conditions. Verify that your walls are plumb before proceeding with the installation.

8. **Professional installation recommended.**

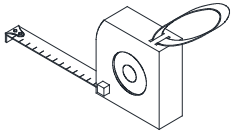


NOTE: DO NOT attach the towel bar / handle to the door glass until instructed to do so. DO NOT use the towel bar / handle to lift the glass during installation. This may result in damage to the glass and/or serious injury. Always use an assistant or a professional grade glass suction cup when handling heavy glass.

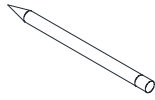
NOTE: The Aqua Uno tub door is designed to swing out. Avoid pushing the door into the tub area.

NOTE: DO NOT use the towel bar for support.

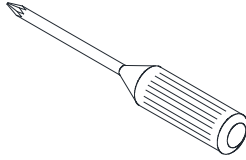
Tools



Tape Measure



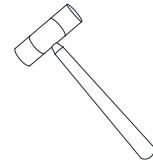
Pencil



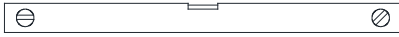
Phillips Screwdriver



Drill Bit
Ø = 5/16"



Soft Head Hammer



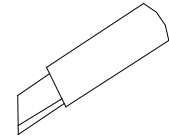
Level



3/8" shims



Power Drill

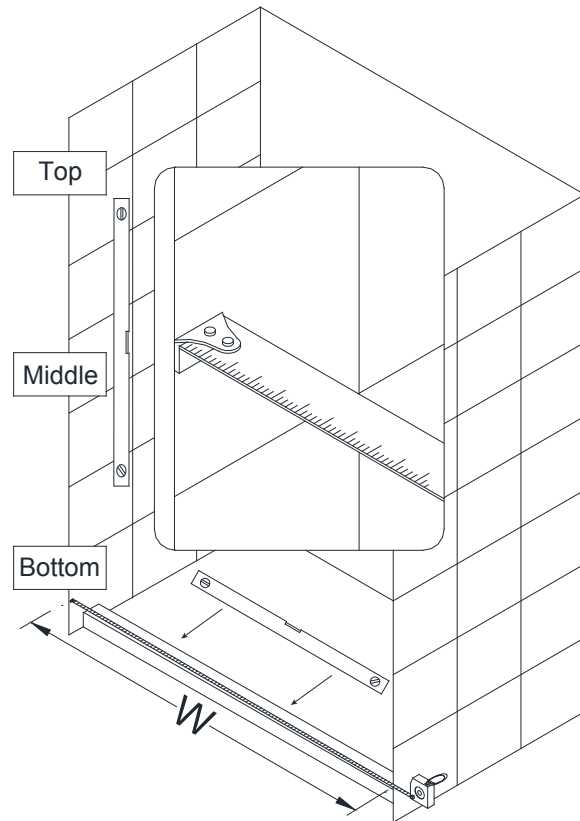


Razor Knife

Tip: Measure the finished opening before proceeding with the installation to be sure that the correct model size has been ordered.

Tip: Prior to installation, cover the shower/tub drain with tape to prevent losing screws or small parts.

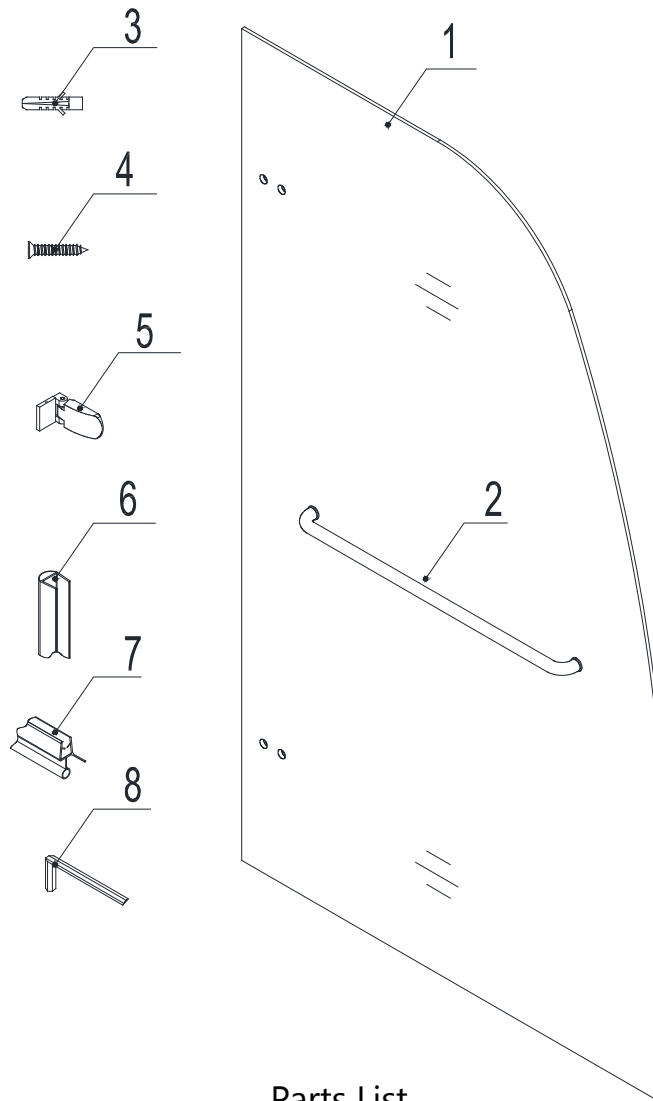
Tip: Set screw gun clutch to low setting when installing screws and bolts to prevent stripping the heads.



NOTE: Unpack your unit carefully and inspect it. Lay it out and identify all parts using the detailed diagram and packing list in this manual as a reference. Before discarding the carton, check for small hardware bags that may have fallen to the bottom of the box. If any parts are damaged or missing, please contact DreamLine® for replacement. The shipping boxes may contain extra parts not used in your model configuration.

NOTE: Retain these installation instructions for future reference.

Detailed Diagram of Shower Door Components



Parts List

01	Door Glass	1pc	05	Hinge	2pcs
02	Towel Bar / Handle	1pc	06	Side anti-water strip	1pc
03	Wall Anchor	6pcs	07	Bottom anti-water strip	1pc
04	Flat head screw ST4.2x60	6pcs	08	2mm, 4mm Hex wrench	1set

NOTE: Unpack your unit carefully and inspect it. Lay it out and identify all parts using the detailed diagram and packing list in this manual as a reference. Before discarding the carton, check for small hardware bags that may have fallen to the bottom of the box. If any parts are damaged or missing, please contact DreamLine® for replacement. The shipping boxes may contain extra parts not used in your model configuration.

NOTE: Retain these installation instructions for future reference.

Installation steps

1. Assemble the **Hinges (#05)** onto the **Door Glass (#01)** using the pre-drilled holes and the bolts with the decorative cover. To remove the decorative cover and reveal the bolts, loosen the set screw on the back side of the decorative cover using the **2mm Hex Wrench (#08)** (**Fig 1**)

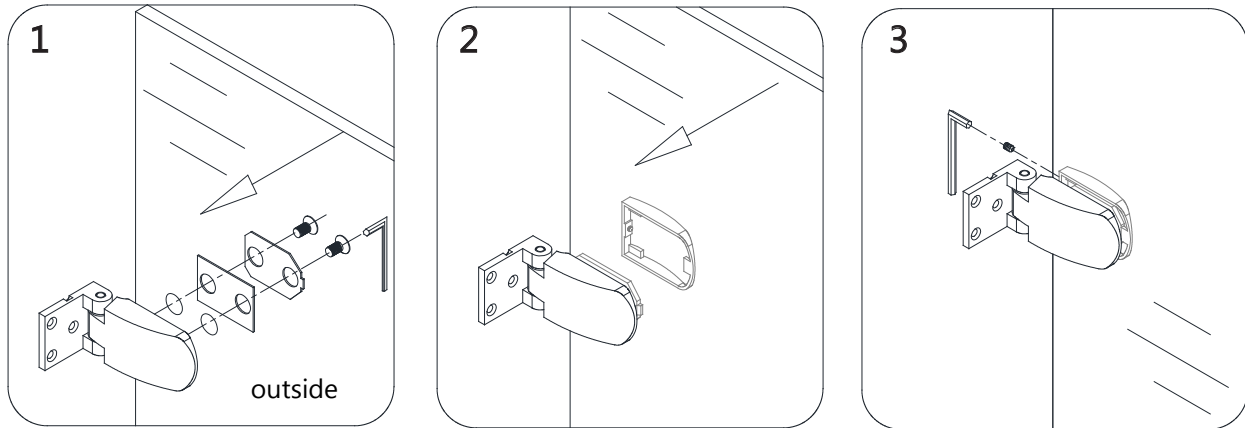


Fig 1

2. Place a 3/8" thick wood or plastic shim onto the bathtub deck to allow for proper spacing.

Remove the decorative cover from the wall-connecting plate of the hinges to expose the holes for the wall connection. (Use a flat screw driver to pop the decorative cover open if necessary.)

Place the **Door Glass (#01)** with the assembled **Hinges (#05)** onto the 3/8" shim. Push the door with the hinged side against the wall and adjust its position to plumb using a level. (**Fig 2**)

Note: The door must be installed plumb.



NOTE: DO NOT attach the towel bar / handle to the door glass until instructed to do so. DO NOT use the towel bar / handle to lift the glass during installation. This may result in damage to the glass and/or serious injury. Always use an assistant or a professional grade glass suction cup when handling heavy glass.

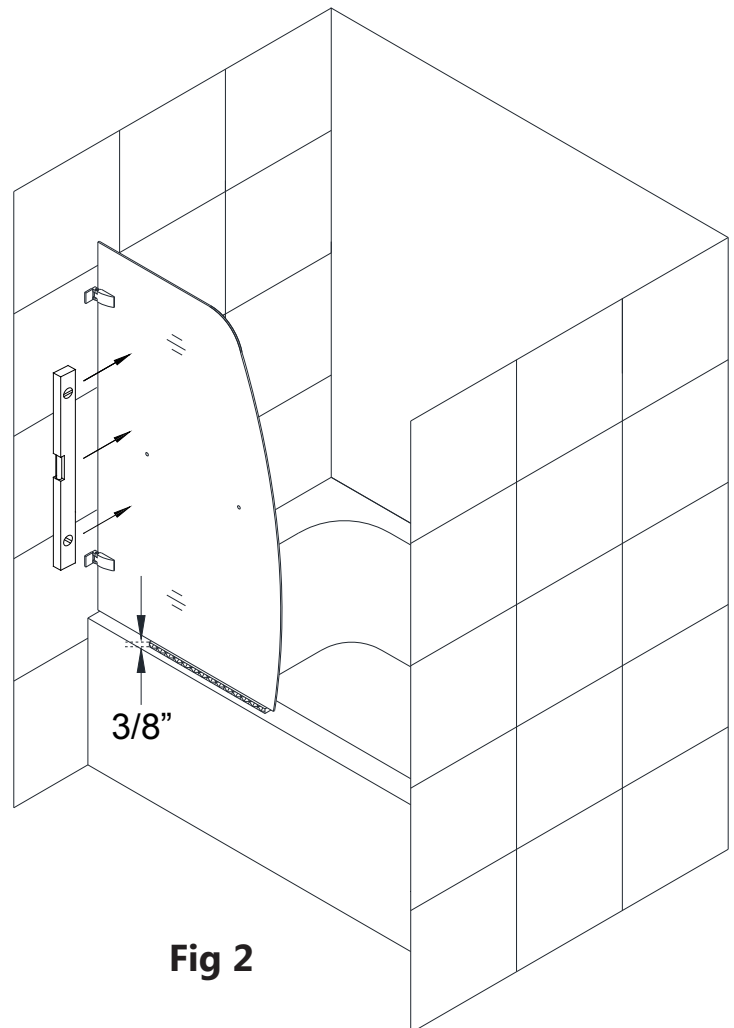


Fig 2

3. Once the door is leveled and plumb, mark the holes for drilling on the wall. Set the **Door Glass (#01)** aside and drill the holes using a **Ø5/16"** drill bit. Insert the **Wall anchors (#03)** (**Fig 3**)

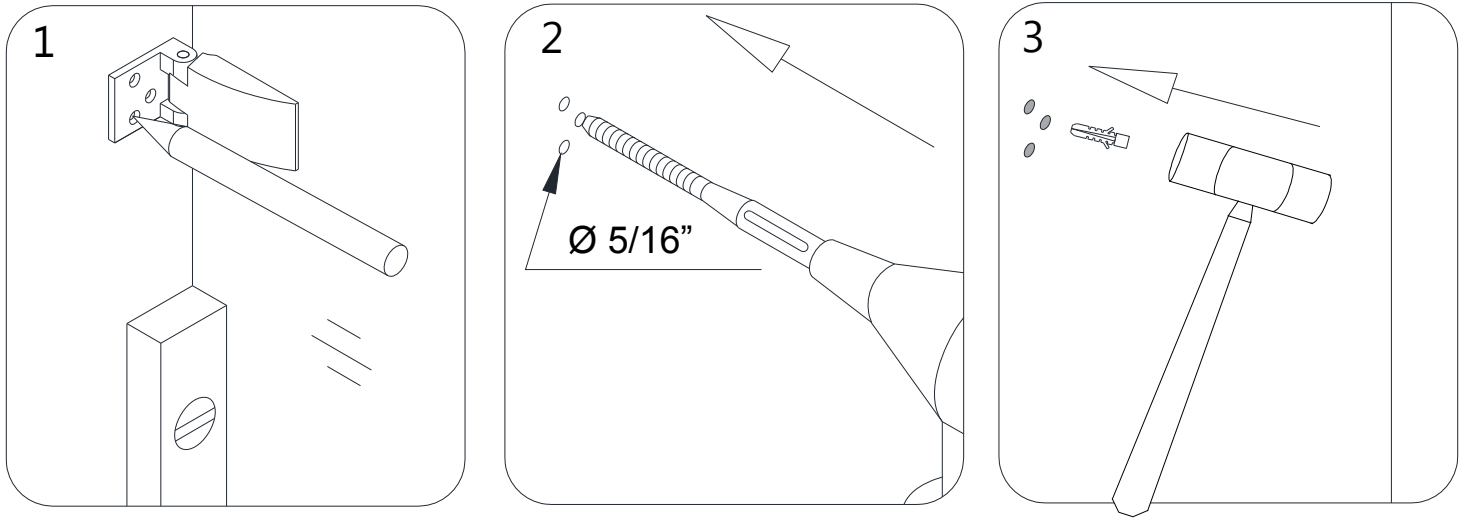


Fig 3

4. Place the **Door Glass (#01)** back into position onto the 3/8" shims on the tub deck and secure the **Hinges (#05)** to the wall using the **Flat head screw ST4.2×60 (#04)**. Snap the decorative covers back onto the wall plates (**Fig 4**)

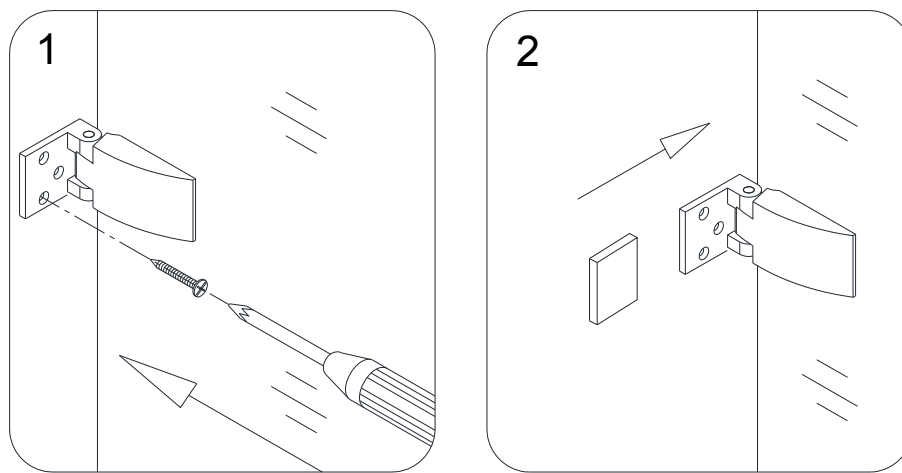


Fig 4

5. Remove the 3/8" shims and open the door. Attach the **Side anti-water strip (#06)** over the vertical edge of the **Door Glass (#01)**.

Attach the **Bottom anti-water strip (#07)** onto the bottom edge of the **Door Glass (#01)**.

Install the **Towel Bar/ Handle (#02)** through the pre-drilled holes on the **Door Glass (#01)** (**Fig 5a and Fig 5b**)

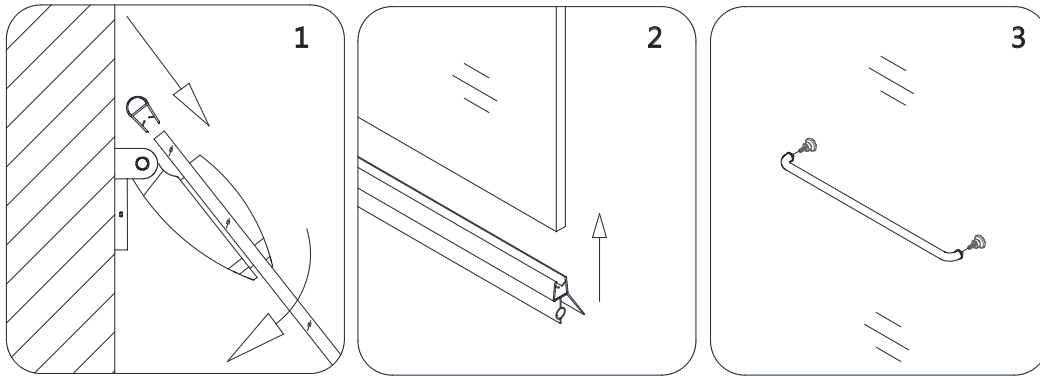


Fig 5a

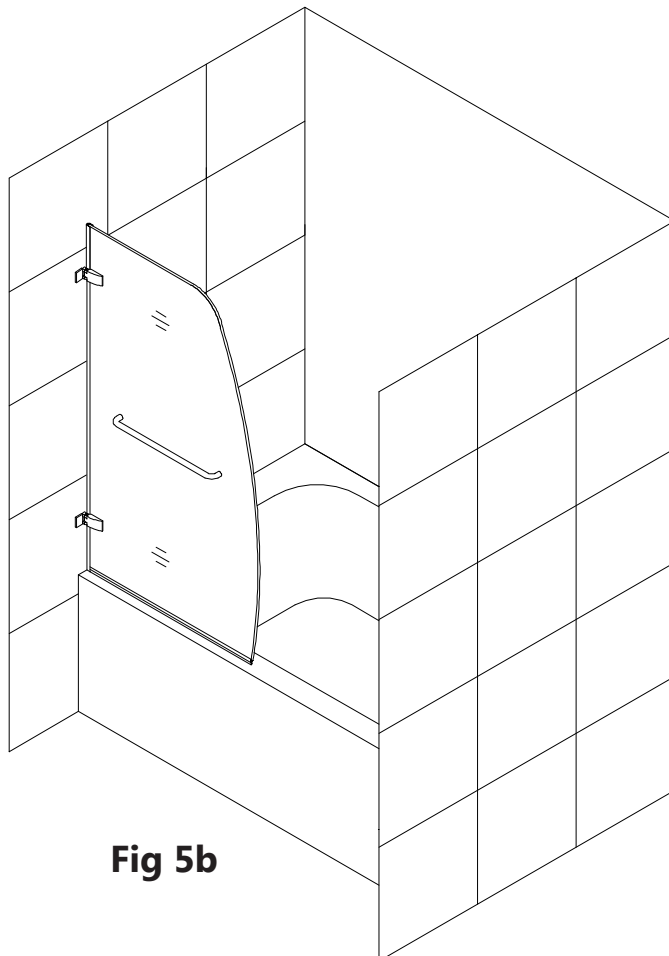


Fig 5b

TIP: Use a razor knife to notch the hinge side vinyl seal (**Side anti-water strip (#06)**) to fit around the bottom sweep vinyl (**Bottom anti-water strip (#07)**) as shown to prevent leakage in the corner. (**Fig 6**)

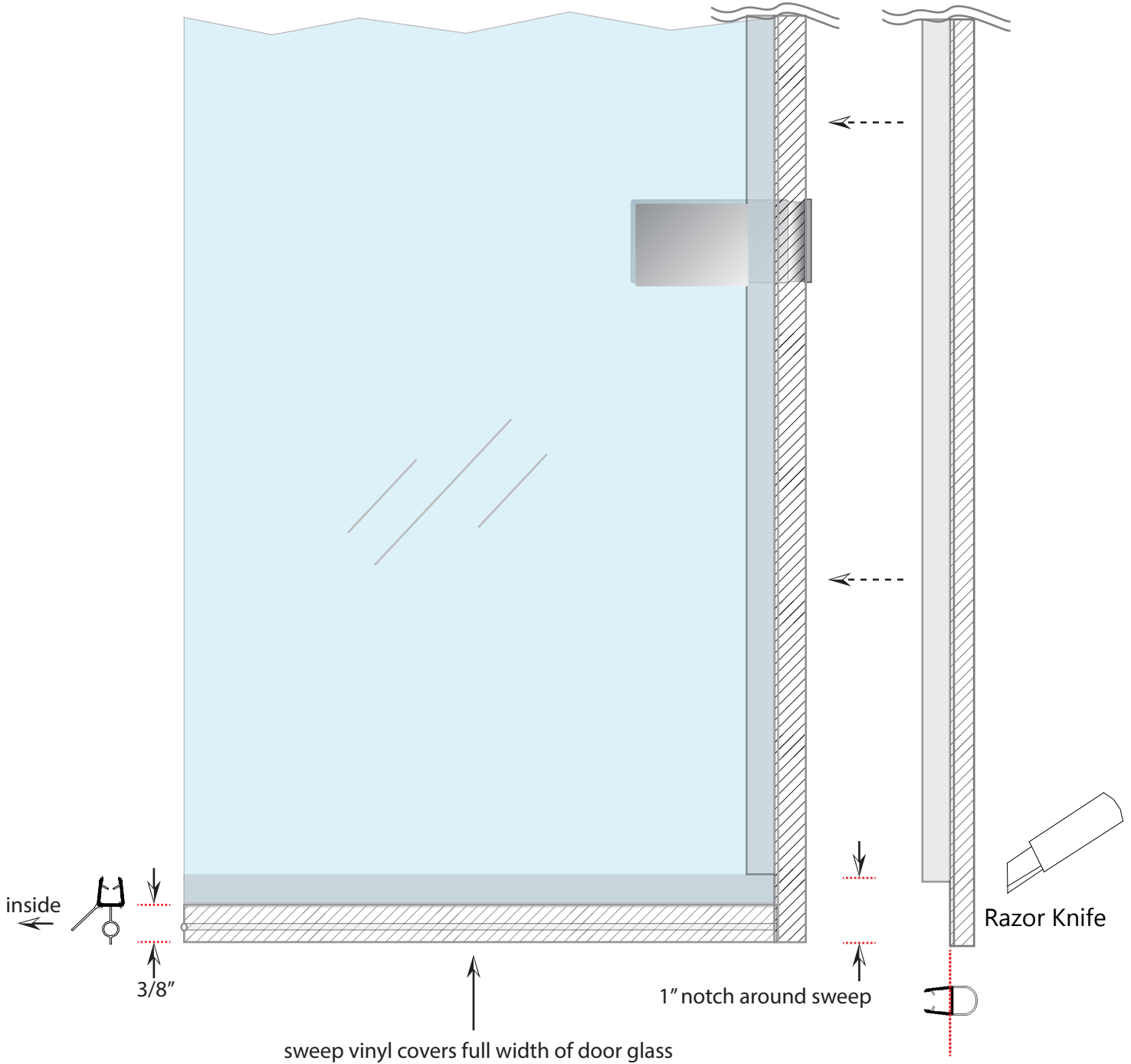


Fig 6

Product Maintenance

BASES and BACKWALLS: To ensure long-lasting life for your acrylic back walls, wipe them off after each use with a soft cloth. To clean the acrylic back walls use non-abrasive sprays or cream based cleaners. Avoid the use of aerosol spray cleaners. Never use abrasive cleansers, metal brushes or scrapers that could scratch or dull the surface.

GLASS: To ensure long-lasting life for your glass shower products, wipe them off after each use with a soft cloth. Rinse and wipe off the glass using either a soft cloth or a squeegee to prevent soap buildup and water spots (Hard water can etch the surface of the glass over time if left to dry). To prevent scratching the surface: never use abrasive cleaners or cleaning products that contain scouring agents. Never use bristle brushes or abrasive sponges that may scratch the surface.

HARDWARE: To ensure a long-lasting finish, wipe off the metal parts after each use with a soft cloth. Do not use abrasive cleaners or cleaning products containing ammonia, bleach or acid. If accidentally used, rinse the surface as soon as possible to prevent damage to the finish (peeling or corrosion). After cleaning the polished finishes, rinse thoroughly and wipe dry with a soft cloth.

Clean stainless steel surfaces at least once a week. When applying stainless steel cleaner or polish to stainless steel hardware, work with (not across) the grain. Never use an abrasive sponge or cloth, steel wool or wired brush as these may permanently scratch the surfaces.

NOTE: To maximize the life of your door, it is important to regularly inspect the glass and all hardware for misalignment, proper attachment, and/or damage. Contact DreamLine® with any questions or concerns.

DreamLine® shower doors and enclosures are designed not to leak when installed properly and the flow of water is not pointed directly at the wall-mounted hinges or vinyl seals.



TEL: 866-731-2244
FAX: 866-857-3638
DREAMLINE.COM

For more information on DreamLine[®] Shower Doors and Enclosures please visit **DreamLine.com**