



Specifications

FEATURES

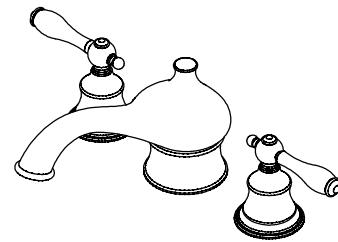
- Requires 3-Hole Sink with 8" On-Center
- 1/2" IPS Connections
- Min Flow Rate: 2.4 gpm (9 L/min) at 20 psi
- Max Countertop Thickness: 1 1/32"
- Spout Reach: 7 7/32"
- Spout Height: 5"
- 1/4 Turn Ceramic Valve for Lifetime Drip-free Operation
- With Zinc Lever Handles

CODE COMPLIANCE

- IAPMO Certified: ASME A112.18.1/CSA B125.1
- ADA Compliant

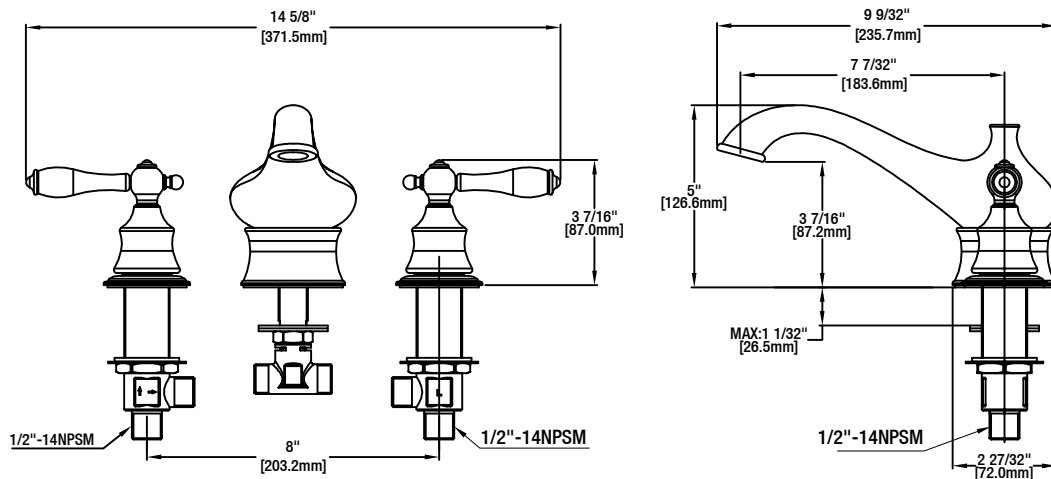
Estates 2-Handle Roman Tub Set

MODEL	SKU#	FINISH
65602-8004	514-499	Brushed Nickel
65602-8096H	249-289	Heritage Bronze



WARRANTY

- Limited Lifetime Warranty



INSTALLATION DIMENSIONS