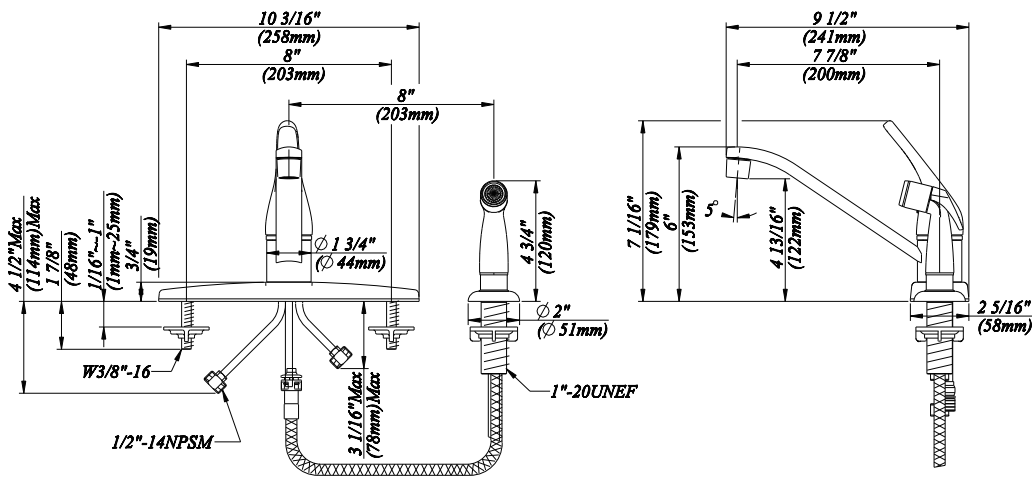


WASHERLESS

KITCHEN

Features:

- Metal lever handle
- Washerless cartridge
- Black spray
- Water saving aerator
- 8" center distance



10072AB
Chrome Finish
Without Black Spray

10029AB
Brushed Nickel Finish
Without Black Spray

10074AB
Chrome Finish
With Black Spray

10030AB
Brushed Nickel Finish
With Black Spray

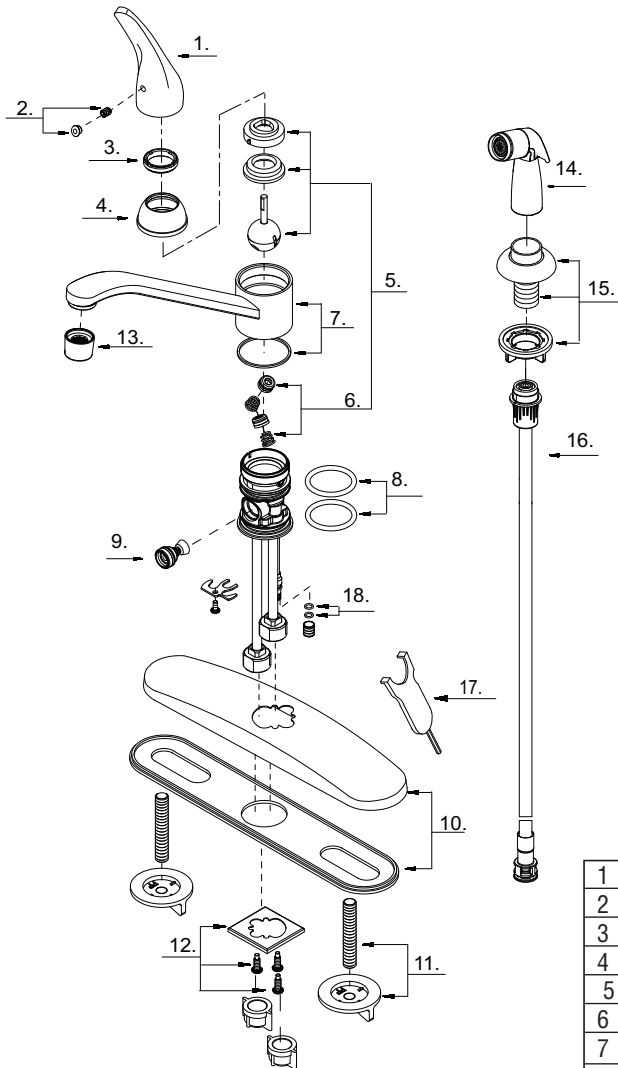


WASHERLESS

KITCHEN

Features:

- Metal lever handle
- Washerless cartridge
- Black spray
- Water saving aerator
- 8" center distance



1	Metal Handle
2	Index Button-Cold/Hot
3	Locking Nut
4	Trim Cap
5	Ball Valve Assembly
6	Seat & Spring Set
7	Spout Set
8	O-Ring Set ($\Phi 1-1/4$ " ID * $\Phi 1-1/2$ " OD)
9	Spray Diverter w/Vacuum Breaker
10	Cover Plate & Putty Plate
11	Mounting Hardware
12	Base Mounting Hardware
13	Aerator
14	Side Spray
15	Spray Holder Assembly (3-15/16" L)
16	Spray Hose
17	Wrench
18	O-ring Set ($\Phi 1/4$ " ID * $\Phi 3/8$ " OD)



10072AB
Chrome Finish
Without Black Spray

10029AB
Brushed Nickel Finish
Without Black Spray

10074AB
Chrome Finish
With Black Spray

10030AB
Brushed Nickel Finish
With Black Spray



EZ-FLO INTERNATIONAL, INC. • 2750 E. Misson Blvd. Ontario, CA USA 9761

Technical Support: 888-328-2383