

Optional 10 7/8" Escutcheon

16959-SD-DST▲



# KITCHEN FAUCETS

- Montauk™ Collection
- Single Handle Pull-Out

## FEATURES:

- DIAMOND Seal® technology
- MagnaTite® magnetic docking
- Touch-Clean® spray head

## STANDARD SPECIFICATIONS:

- Max flow rate: 1.50 GPM @ 60 PSI (5.68 L/Min @ 414 kPa) in spray and standard aerated mode
- Max flow rate: 2.20 GPM @ 60 PSI (8.33 L/Min @ 414 kPa) in aerated mode using Multi-Flow™ feature
- Exposed mounting on one, two, three, and four hole sinks (escutcheon optional, included)
- Control mechanism is diamond coated ceramic cartridge
- 3/8" O.D. straight, staggered PEX supply tubes, 30" (762 mm) and 31 1/2" (800 mm) long
- Spout is connected to valve body with a 53" (1346 mm) long hose
- Spout swings 120°
- Red/blue graphics on handle button indicate hot/cold temperature
- Pull-out spout operates in an aerated stream or spray mode via an easy push button
- Soap dispenser bottle holds up to 8 oz.
- Lever handle returns to the neutral position when valve is turned off
- Standard 3/8" compression gasket fittings
- Integral double check valves in spout

## WARRANTY:

- Lifetime limited warranty on parts (other than electronic parts and batteries) and finishes; or, for commercial users, for 5 years from date of purchase.
- 5 year limited warranty on electronic parts (other than batteries); or, for commercial users, for 1 year from the date of purchase. No warranty is provided on batteries.

## COMPLIES WITH:

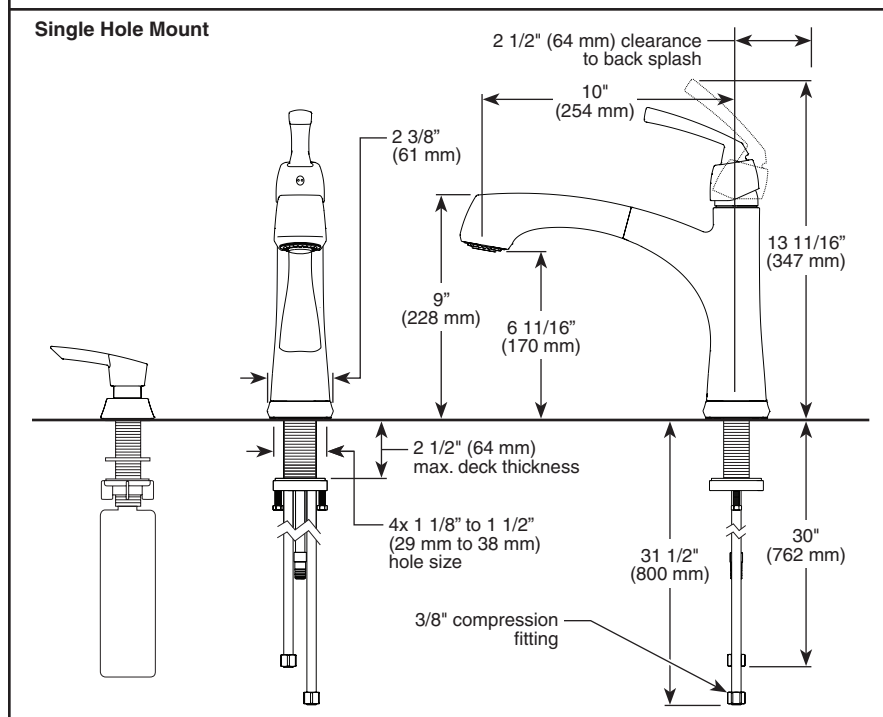
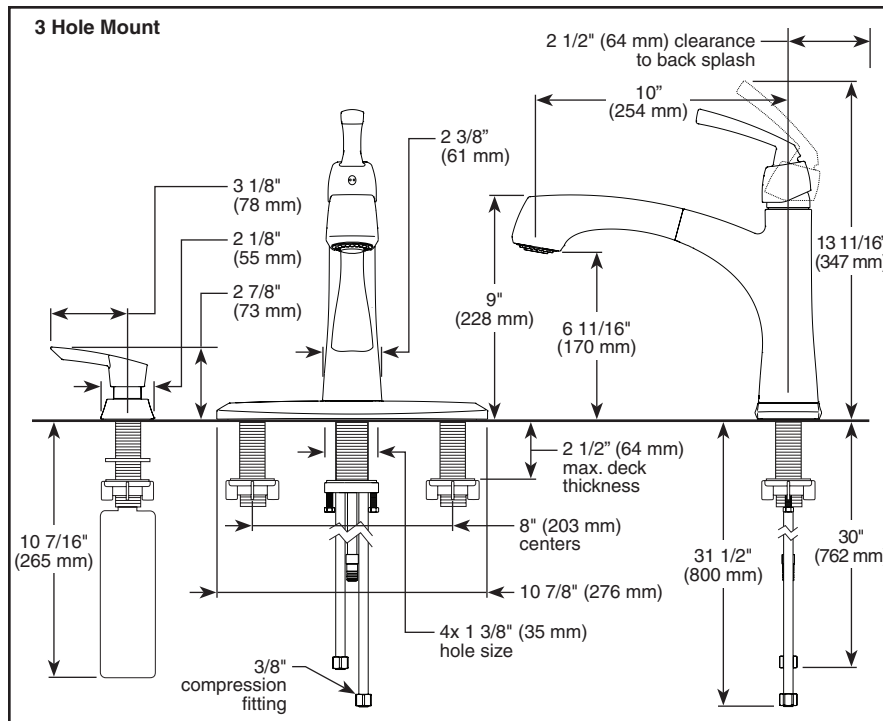
- ASME A112.18.1 / CSA B125.1
- ASME A112.18.6
- Indicates compliance to ICC/ANSI A117.1
- "LF" models verified compliant with .25% weighted average Pb content regulations



55 E. 111th Street, Indianapolis, Indiana 46280  
 350 South Edgeware Road, St. Thomas, ON N5P 4L1  
 © 2015 Masco Corporation of Indiana

Submitted Model No.: \_\_\_\_\_

Specific Features: \_\_\_\_\_



▲ Designate proper finish suffix

Delta reserves the right (1) to make changes in specifications and materials, and (2) to change or discontinue models, both without notice or obligation. Dimensions are for reference only. See current full-line price book or [www.deltafaucet.com](http://www.deltafaucet.com) for finish options and product availability.

DSP-K-16959-SD-DST Rev. A