

# JB860DJ/EJ

## GE® 30" Free-Standing Electric Double Oven Convection Range

### DIMENSIONS AND INSTALLATION INFORMATION

#### RECEPTACLE LOCATIONS

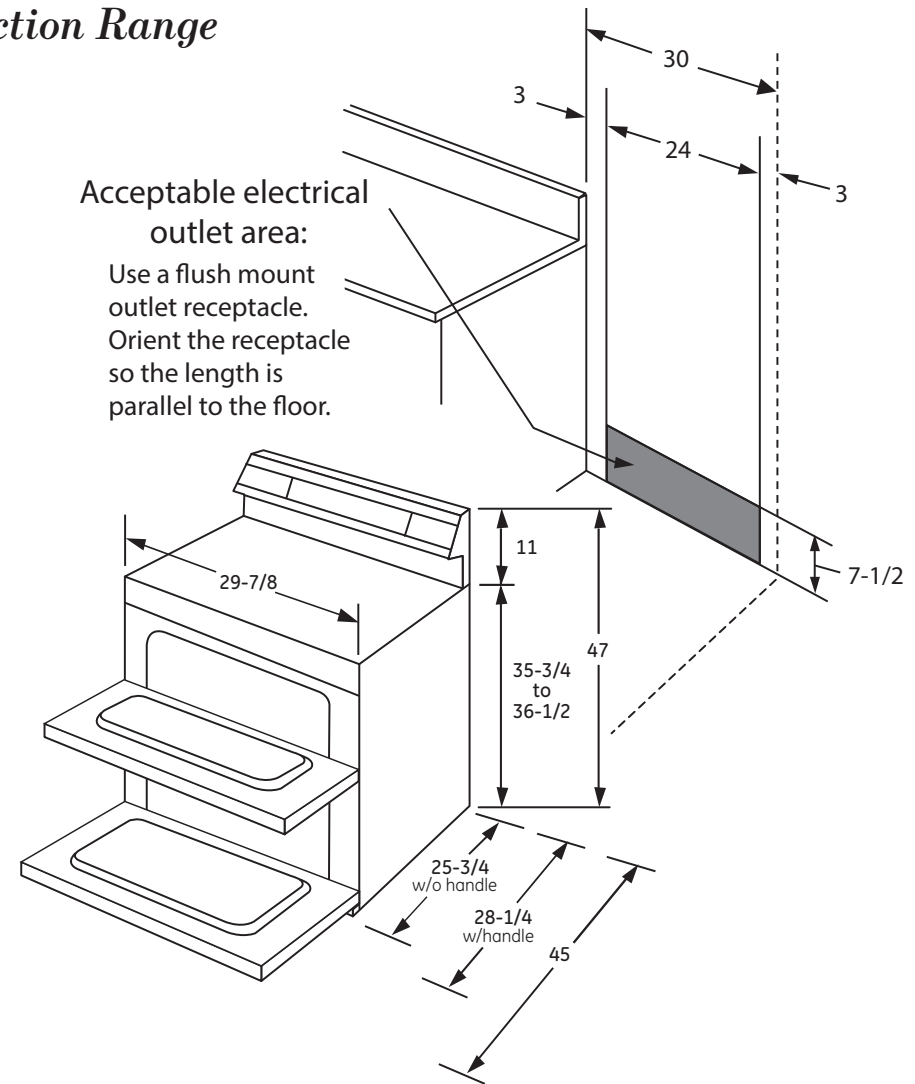
Locally approved flexible service cord or conduit must be used because terminals are not accessible after range installation. See shaded area in drawing for location of electrical outlet box. Recommended outlet locations allow range to be installed directly against wall.

**NOTE:** This appliance has been approved for 0" spacing to adjacent surfaces above the cooktop. However, a 6" minimum spacing to surfaces less than 15" above the cooktop and adjacent cabinet is recommended to reduce exposure to steam, grease splatter and heat.

**INSTALLATION INFORMATION:** Before installing, consult installation instructions for current dimensional data and additional requirements.

KW Rating	
240V	15.6
208V	11.7
Breaker Size	
240V	40 Amps <sup>†</sup>
208V	40 Amps <sup>†</sup>

**†NOTE:** Check local codes for required breaker size.



For answers to your Monogram,® GE Profile™ or GE® appliance questions, visit our website at [geappliances.com](http://geappliances.com) or call GE Answer Center® service, 800.626.2000.



All GE ranges are equipped with an Anti-Tip device. The installation of this device is an important, required step in the installation of the range.



Listed by Underwriters Laboratories

# JB860DJ/EJ

## GE® 30" Free-Standing Electric Double Oven Convection Range

### FEATURES AND BENEFITS

12"/9" dual element - Two heating elements in one offer flexibility

9"/6" Power Boil element - Produces rapid, powerful heat

Fifth element warming zone - Provides low-heat capability for foods

Convection - Enjoy even baking without turning the pan

Self-clean oven - Cleans the oven cavity without the need for scrubbing

Black gloss oven interior - Enjoy a clean and sleek appearance

Dual-element Bake - Upper and lower elements produce even heat and great results

6.6 cu. ft. total oven capacity - Large capacity is ideal for big meals

Model JB860DJBB - Black on black

Model JB860EJES - Slate

Model JB860DJWW - White on white



GE APPLIANCES