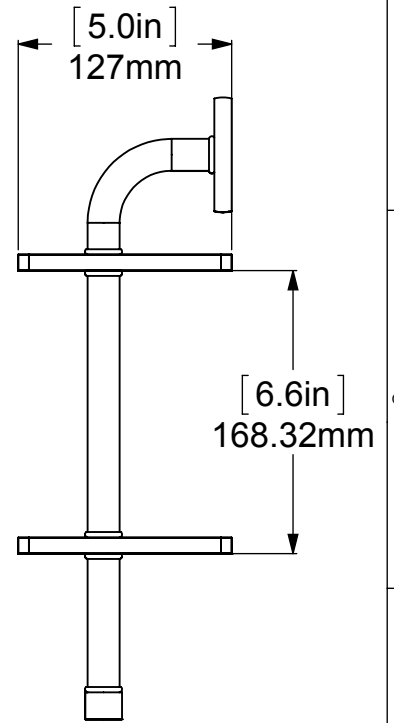
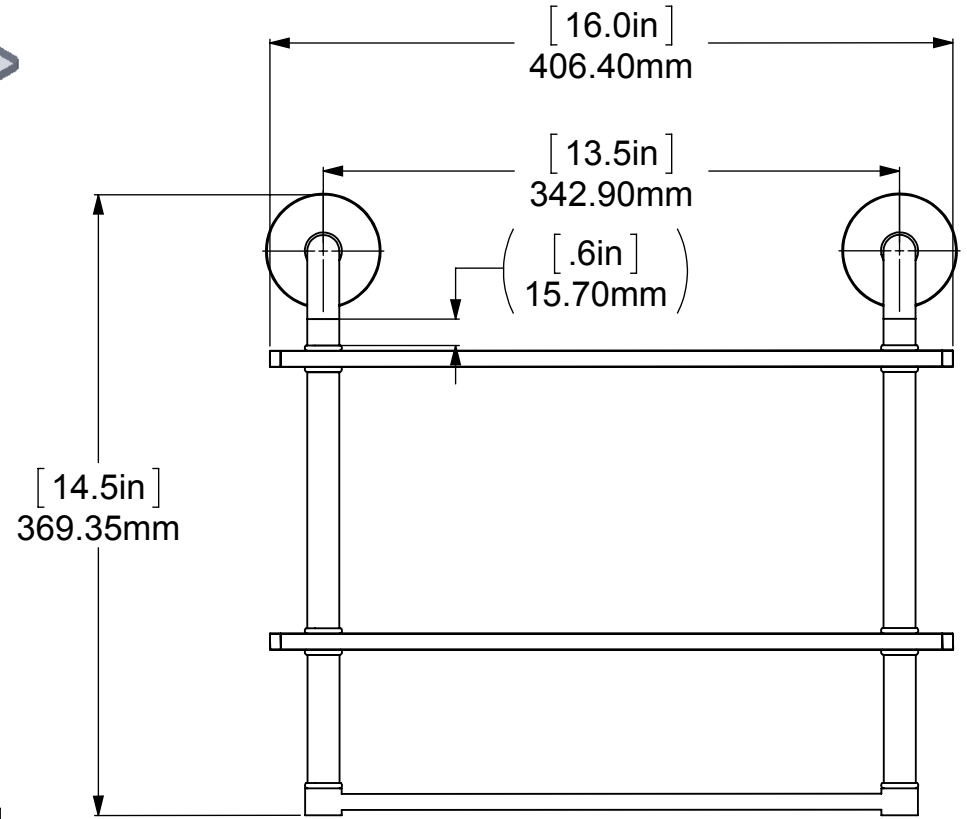
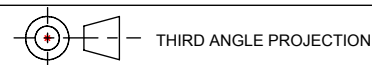


ITEM NO.	P/N	DESCRIPTION	QTY.
1	BPRD	BACKPLATE	2
2	SWELB-3	TUBE	2
3	CRRD-34	CHECK RING	12
4	GLRT-16	GLASS SUPPORT TUBE	2
5	TU34-6	SUPPORT TUBE	2
6	MR-TILT-FITT	HUB	2
7	TU34-3	SUPPORT TUBE	2
8	TU38-13.5	BAR	1



UNLESS OTHERWISE STATED	
.X	±.3mm
.XX	±.15mm
.XXX	±.008mm

COPYRIGHT © Allied Brass 2016



DRAWN	3/21/2017	I.M
CHECKED	3/21/2017	P.D
APPROVED	3/21/2017	R.A

MATERIAL: BRASS
 DESCRIPTION: REMI DOUBE SHELF WITH TOWEL BAR



FINISH	TBD
QUANTITY	TBD
DRAWING No. RM-2-16TB	
SCALE	1:4.5
SHEET: 01	A4