



OUTDOOR VERTICAL DRAWERS

Installation Instructions and Use & Care Guide

For questions about features, operation/performance, parts, accessories or service, call: **1-877-373-2301**
or visit our website at www.Kitchenaidgrills.com

Languages spoken: English, Spanish, French 8 a.m.-5 p.m., PST. Monday-Friday.

CAJONES VERTICAL PARA EXTERIORES

Instrucciones de instalación y Manual de uso y cuidado

Para consultas respecto a características, funcionamiento, rendimiento, piezas, accesorios o servicio técnico, llame al: **1-877-373-2301**
o visite nuestro sitio de internet en www.Kitchenaidgrills.com

Lenguajes hablados: Inglés, Español y Francés de 8 a.m.-5 p.m., PST. Lunes-Viernes.

TIROIRS VERTICAUX EXTÉRIEURS

Instructions d'installation et Guide d'utilisation et d'entretien

Pour des questions à propos des caractéristiques, du fonctionnement/rendement, des pièces, des accessoires ou du service,
composer le: **1-877-373-2301**

ou visiter notre site web www.Kitchenaidgrills.com

Langues parlées: anglais, espagnol, français entre 8 h et 17 h, HNP, du lundi au vendredi.



Keep this manual for future reference.

Conserve el presente manual para consultas futuras.

Conserver ce manuel à titre de référence ultérieure.

TABLE OF CONTENTS

OUTDOOR VERTICAL DRAWERS SAFETY	3
ASSEMBLY INSTRUCTIONS	4
INSTALLATION REQUIREMENTS	7
Tools and Parts.....	7
Product Dimensions.....	7
Cabinet Cutout Dimensions.....	8
INSTALLATION INSTRUCTIONS	9
OUTDOOR VERTICAL DRAWERS CARE	9
General Cleaning.....	9
ASSISTANCE	10
WARRANTY	11
REPLACEMENT PARTS	33

ÍNDICE

SEGURIDAD DEL CAJONES VERTICAL PARA EXTERIORES	13
INSTRUCCIONES DE ENSAMBLAJE	14
REQUISITOS DE INSTALACIÓN	17
Herramientas y piezas.....	17
Medidas del producto.....	17
Dimensiones del corte del armario.....	18
INSTRUCCIONES DE INSTALACIÓN	19
CUIDADO DEL CAJONES VERTICAL PARA EXTERIORES	19
Limpieza general.....	19
ASISTENCIA	20
GARANTÍA	21
PIEZAS DE REPUESTO	33

TABLE DES MATIÈRES

SÉCURITÉ DU TIROIRS VERTICAUX EXTÉRIEURS	23
CONSIGNES POUR L'ASSEMBLAGE	24
EXIGENCES D'INSTALLATION	27
Outils et pièces.....	27
Dimensions du produit.....	27
Dimensions de l'ouverture à découper dans le placard.....	28
INSTRUCCIONES DE INSTALACIÓN	29
ENTRETIEN DU TIROIRS VERTICAUX EXTÉRIEURS	29
Nettoyage général.....	29
ASSISTANCE	30
GARANTIE	31
PIÈCES DE RECHANGE	33

OUTDOOR VERTICAL DRAWERS SAFETY

Your safety and the safety of others are very important.

We have provided many important safety messages in this manual and on your appliance. Always read and obey all safety messages.



This is the safety alert symbol.

This symbol alerts you to potential hazards that can kill or hurt you and others.

All safety messages will follow the safety alert symbol and either the word "DANGER" or "WARNING."

These words mean:

⚠ DANGER

You can be killed or seriously injured if you don't immediately follow instructions.

⚠ WARNING

You can be killed or seriously injured if you don't follow instructions.

All safety messages will tell you what the potential hazard is, tell you how to reduce the chance of injury, and tell you what can happen if the instructions are not followed.

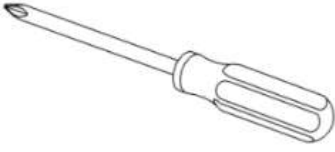
State of California Proposition 65 Warnings:

WARNING: This product contains one or more chemicals known to the State of California to cause cancer.

WARNING: This product contains one or more chemicals known to the State of California to cause birth defects or other reproductive harm.

ASSEMBLY INSTRUCTIONS

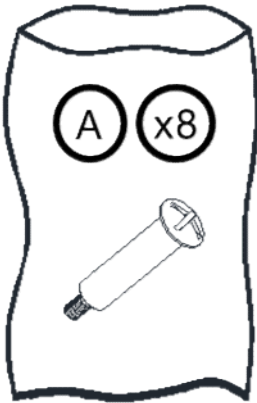
Tools Needed



Some parts come with Screws pre-installed.
Loosen and tighten for final assembly.

Hardware Package List

Stage screw
5/32 - 32 x 5/16"



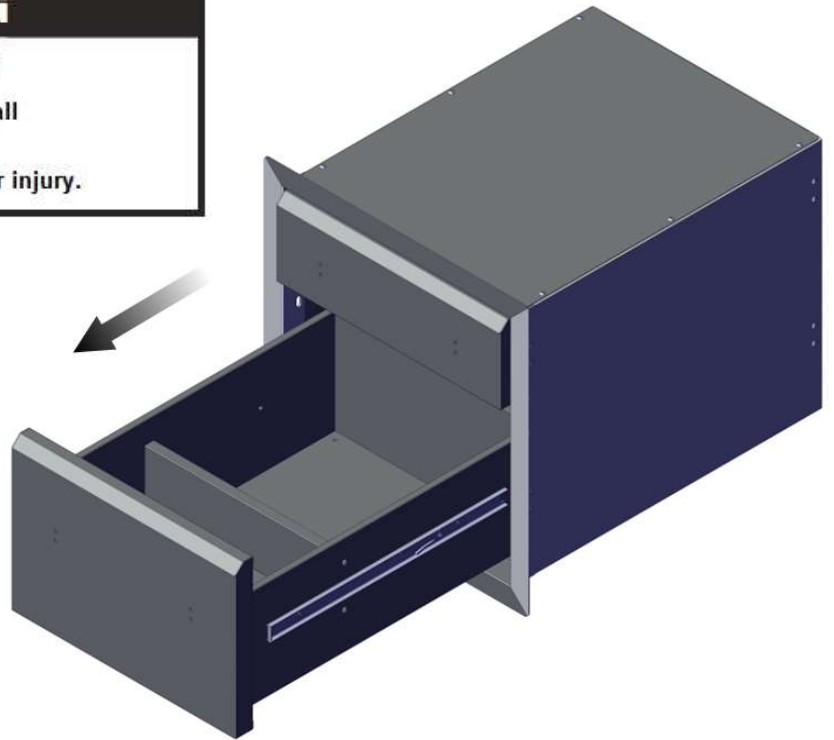
1.

⚠ WARNING

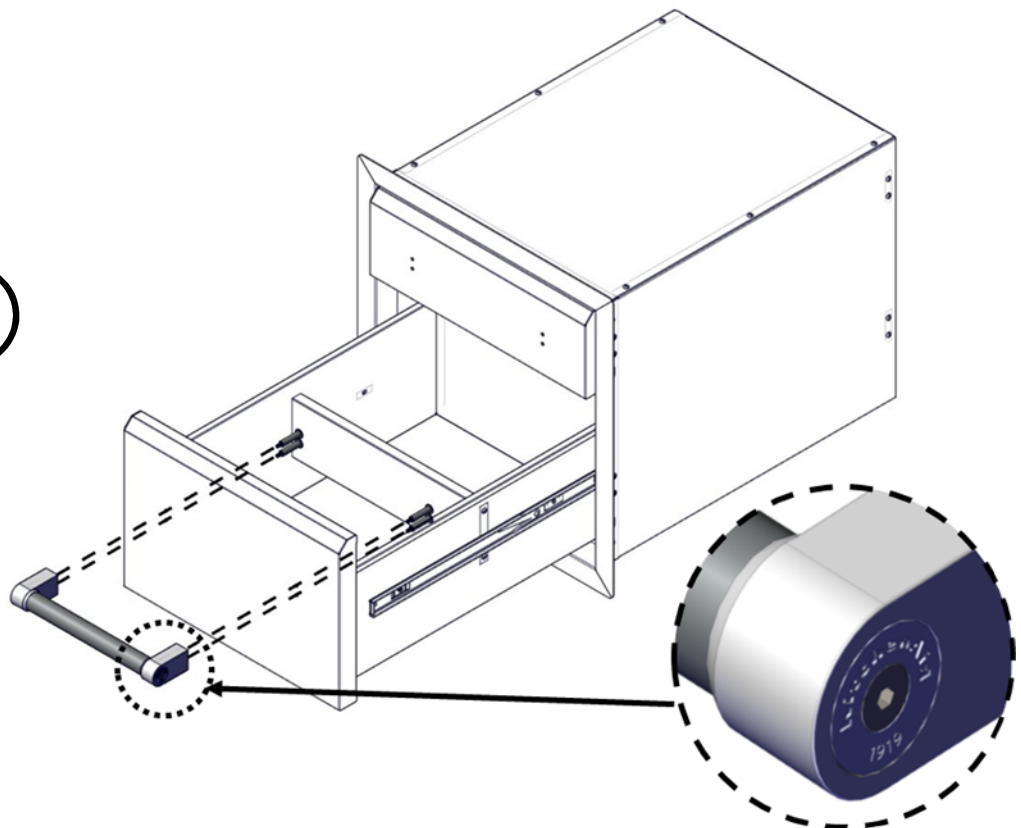
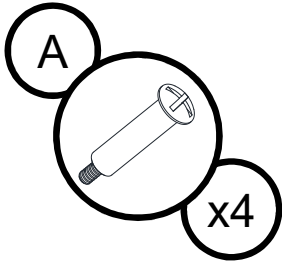
Excessive Weight Hazard

Use two or more people to move and install access drawers.

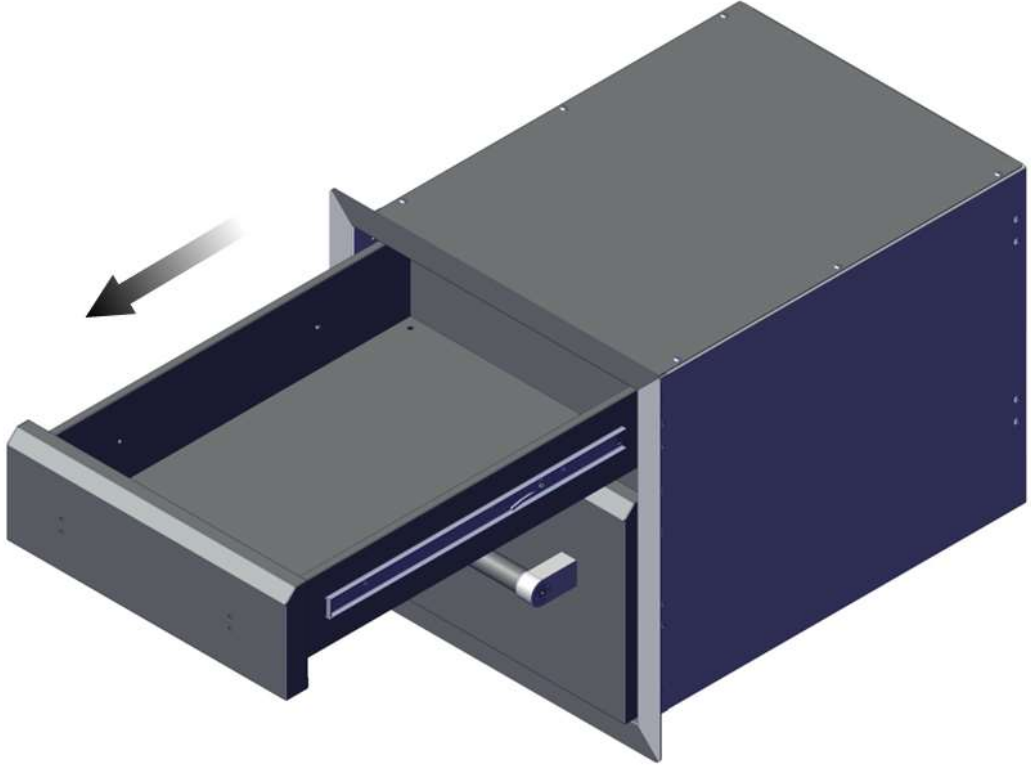
Failure to do so can result in back or other injury.



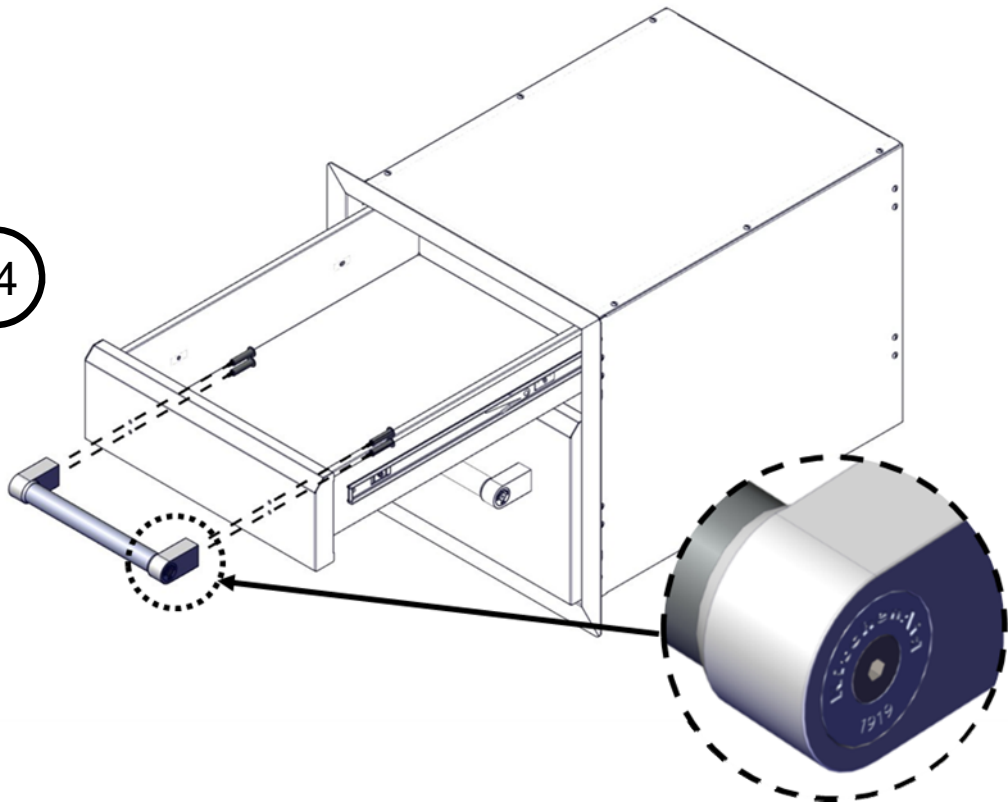
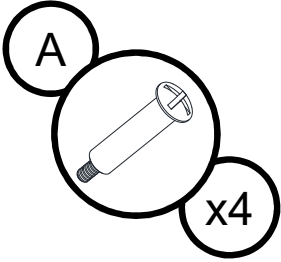
2.



3.



4.



INSTALLATION REQUIREMENTS

Tools and Parts

Gather the required tools and parts before starting installation. Read and follow the instructions provided with any tools listed here.

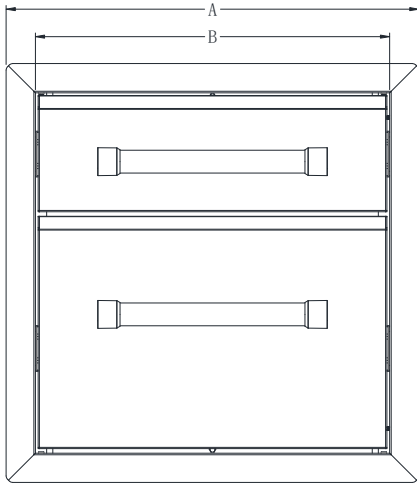
Tools Needed

- Tape Measure
- Phillips screwdriver
- Level

Parts Needed

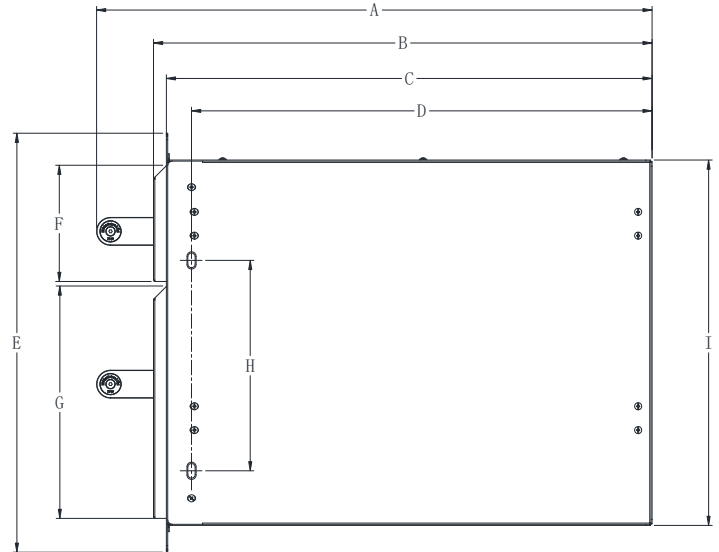
- Screws (quantity and type to be determined by the requirements of the cabinet material)

Product Dimensions



A. 17.76" (45.1 cm)

B. 15.24" (38.7 cm)



A. 23.5" (59.7 cm)

B. 21.4" (54.5 cm)

C. 20.9" (53.1 cm)

D. 19.81" (50.32 cm)

E. 18.03" (45.8 cm)

F. 5" (12.7 cm)

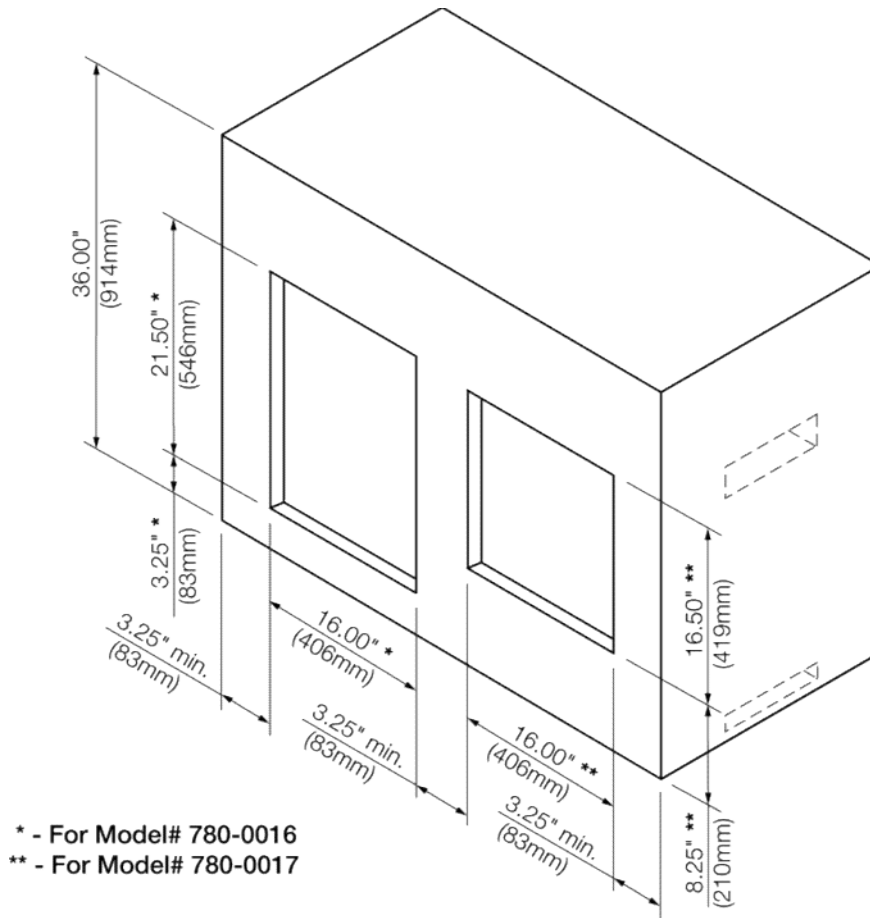
G. 10" (25.4 cm)

H. 9.06" (23 cm)

I. 15.72" (39.94 cm)

Cabinet Cutout Dimensions

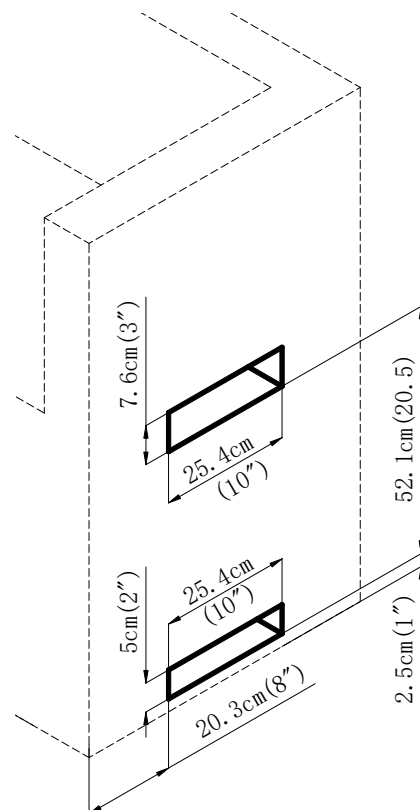
The illustration below includes cutout dimensions and minimum spacing requirements. The illustration is for reference. The design of your cabinet layout can be personalized, but the dimensions for the cutouts and minimum spacing must be followed. Center or support surfaces must be level.



Built-in Outdoor Grill Enclosure Ventilation Requirements

Any outdoor grill enclosure is to be ventilated by openings at both the top and lower levels of the enclosure. The following information is the minimum for proper ventilation of your island construction.

- There should be a minimum of 1 7/8" (4.4 cm) of clearance from the bottom of the main burner bowl assembly island for proper ventilation.
NOTE: There should be no solid surface underneath the firebox portion of the grill.
- A minimum of 3" (7.6 cm) is required between the back of the grill and any noncombustible materials. A minimum of 36" (92 cm) is required between the back of the grill and any combustible material.
- The island must be vented in one of the 2 following ways: A 90° or a 180° ventilation in the island to ensure that air flows through the island at either 90° or 180° .
- Any enclosure for built-in installation is to have at least one ventilation opening on an exposed exterior side located within 2½" (6.0 cm) of the top and is to be a minimum of 20 in.² (129.0 cm²). One ventilation opening within 1½" (3.0 cm) of the bottom of the enclosure, and the bottom opening is to be a minimum of 10 in.² (64.5 cm²). All vent openings are to be unobstructed. Every opening is to be a minimum of 1/8" (0.32 cm) wide.
- To ensure that the grill operates properly, it is recommended that the island have ventilation on all 4 sides as shown in the following illustration. The ventilation holes should be as diagrammed to ensure adequate ventilation for your grill and island.



- Proper ventilation is a required based on the above mentioned specifications for your grill to operate properly.

INSTALLATION INSTRUCTIONS

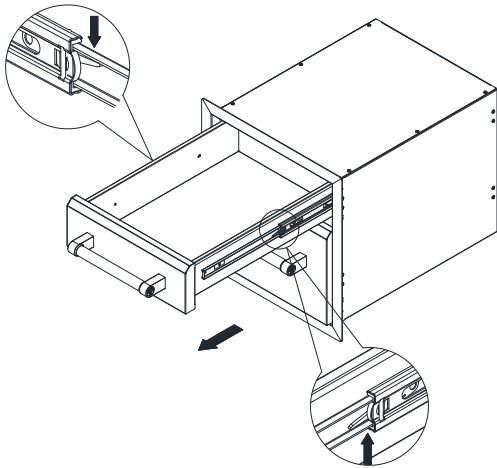
⚠ WARNING

Excessive Weight Hazard

Use two or more people to move and install access drawers.

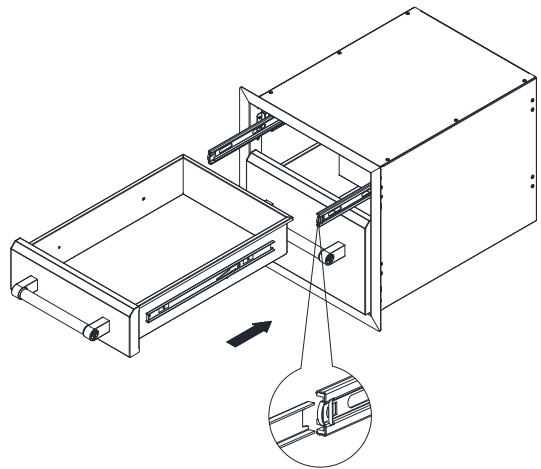
Failure to do so can result in back or other injury.

1. Remove the drawers from mounting frame by:
 - Fully extend the empty drawer
 - Push up the one release lever while pushing down on the other release lever.
 - Pull the drawer outward until it is released from the drawer slide.



2. Install mounting frame flush to the face of the cabinet cutout. Make sure the mounting frame is level.

3. Install screws (not supplied) into holes located on the mounting frame.
4. Re-inserting the drawers by:
 - Extend the drawer slides.
 - Insert the brackets on each side of the drawer into the slots in the slides, being careful that they are properly positioned.
 - Once properly inserted, completely close the drawer to set the slides in their proper positions.



OUTDOOR VERTICAL DRAWERS CARE

General Cleaning

IMPORTANT: For routine cleaning, wash with soap and water using a soft cloth or sponge. Rinse with clean water and dry at once with a soft, lint-free cloth to avoid spots and streaks. Do not use steel wool to clean the product, as it will scratch the surface.

STAINLESS STEEL

IMPORTANT: To avoid damage to stainless steel surfaces, do not use soap-filled scouring pads, abrasive cleaners, cooktop polishing creme, steel wool, gritty wash cloths or paper towels. Cleaner should not contain chlorine. Damage may occur. Spills may cause permanent discoloration.

Cleaning Method:

- Rub in direction of grain to avoid scratching or damaging the surface.
 - Stainless steel cleaner.
 - Liquid detergent or all-purpose cleaner.
 - Rinse with clean water and dry with soft, lint-free cloth.
 - Vinegar to remove hard water spots.
 - Glass cleaner to remove fingerprints.

EXTERIOR and INTERIOR

The quality of this material resists most stains and pitting, providing that the surface is kept clean, polished and covered.

Cleaning Method:

- Apply stainless steel polish to all areas before first use.
- Reapply after each cleaning to avoid damage.
- Cleaning should always be followed by rinsing with clean, warm water.
- Use a metal polish or stainless steel brightener to remove fingerprints, water spots, oxidation, and food stains. Always follow the manufacturer's directions.
- Wipe the surface completely dry with a soft cloth.

ASSISTANCE

When calling, please know the purchase date and the complete model and serial number of your appliance. This information will help us to better respond to your request.

If you need replacement parts

If you have questions or need to order replacement parts, contact Customer Service Center at 1-877-373-2301 .

Please direct all correspondence to:

Nexgrill Industries, Inc.
14050 Laurelwood Pl,
Chino, CA 91710

Please include a daytime phone number in your correspondence.

LIMITED WARRANTY (Model # 780-0017)

Nexgrill warrants to the original consumer-purchaser only that this product (Model# 780-0017) shall be free from defects in workmanship and materials after correct assembly and under normal and reasonable home use for the periods indicated below beginning on the date of purchase. The manufacturer reserves the right to require photographic evidence of damage, or that defective parts be returned, postage and or freight pre-paid by the consumer, for review and examination.

Stainless steel parts: 3 Year LIMITED warranty against perforation, does not cover cosmetic issue like surface corrosion, scratched and rust

Upon consumer supplying proof of purchase as provided herein, Manufacturer will repair or replace the parts which are proven defective during the applicable warranty period. Parts required to complete such repair or replacement shall be free of charge to you except for shipping costs, as long as the purchaser is within the warranty period from the original date of purchase. The original consumer-purchaser will be responsible for all shipping charges of parts replaced under the terms of this limited warranty. This limited warranty is applicable in the United States and Canada only. It is only available to the original owner of the product and is *not transferable*. Manufacturer requires reasonable proof of your date of purchase. Therefore, you should retain your sales receipt and/or invoice. If the unit was received as a gift, please ask the gift-giver to send in the receipt on your behalf, to the below address. Defective or missing parts subject to this limited warranty will not be replaced without registration or proof of purchase. This limited warranty applies to the functionality of the product **ONLY** and does not cover cosmetic issues such as scratches, dents, corruptions or discoloring by heat, abrasive and chemical cleaners or any tools used in the assembly or installation of the appliance, surface rust, or the discoloration of stainless steel surfaces. Surface rust, corrosion, or powder paint chipping on metal parts that does not affect the structural integrity of the product is not considered a defect in workmanship or material and is not covered by this warranty. This limited warranty will not reimburse you for the cost of any inconvenience, food, personal injury or property damage. If an original replacement part is not available, a comparable replacement part will be sent. You will be responsible for all shipping charges of parts replaced under the terms of this limited warranty.

ITEMS MANUFACTURER WILL NOT PAY FOR:

- Service calls to your home.
- Repairs when your product is used for other than normal, single-family household or residential use.
- Third party repairs/installation surrounding the product and/or its enclosure(s).
- Damage resulting from accident, alteration, misuse, lack of maintenance/cleaning, abuse, fire, flood, acts of God, improper installation, and installation not in accordance with electrical or plumbing codes or use of products not approved by the manufacturer.
- Any food loss due to product failures.
- Replacement parts or repair labor costs for units operated outside the United States or Canada.
- Pickup and delivery of your product.
- Postage fees or photo processing fees for photos sent in as documentation.
- Repairs to parts or systems resulting from unauthorized modifications made to the product.
- The removal and/or reinstallation of your product.
- Shipping cost, standard or expedited, for warranty/non warranty and replacement parts.

DISCLAIMER OF IMPLIED WARRANTIES: LIMITATION OF REMEDIES

Repair or replacement of defective parts is your exclusive remedy under the terms of this limited warranty. Manufacturer will not be responsible for any consequential or incidental damages arising from the breach of either this limited warranty or any applicable implied warranty, or for failure or damage resulting from acts of God, improper care and maintenance, grease fire, accident, alteration, replacement of parts by anyone other than Manufacturer, misuse, transportation, commercial use, abuse, hostile environments (inclement weather, acts of nature, animal tampering), improper installation or installation not in accordance with local codes or printed manufacturer instructions.

THIS LIMITED WARRANTY IS THE SOLE EXPRESS WARRANTY GIVEN BY THE MANUFACTURER. NO PRODUCT PERFORMANCE SPECIFICATION OR DESCRIPTION WHEREVER APPEARING IS WARRANTED BY MANUFACTURER EXCEPT TO THE EXTENT SET FORTH IN THIS LIMITED WARRANTY. ANY IMPLIED WARRANTY PROTECTION ARISING UNDER THE LAWS OF ANY STATE, INCLUDING IMPLIED WARRANTY OF MERCHANTABILITY OR FITNESS FOR A PARTICULAR PURPOSE OR USE, IS HEREBY LIMITED IN DURATION TO THE DURATION OF THIS LIMITED WARRANTY.

THIS LIMITED WARRANTY IS THE SOLE EXPRESS WARRANTY GIVEN BY THE MANUFACTURER. NO PRODUCT PERFORMANCE SPECIFICATION OR DESCRIPTION WHEREVER APPEARING IS WARRANTED BY MANUFACTURER EXCEPT TO THE EXTENT SET FORTH IN THIS LIMITED WARRANTY. ANY IMPLIED WARRANTY PROTECTION ARISING UNDER THE LAWS OF ANY STATE, INCLUDING IMPLIED WARRANTY OF MERCHANTABILITY OR FITNESS FOR A PARTICULAR PURPOSE OR USE, IS HEREBY LIMITED IN DURATION TO THE DURATION OF THIS LIMITED WARRANTY.

Neither dealers nor the retail establishment selling this product has any authority to make any additional warranties or to promise remedies in addition to or inconsistent with those stated above. Manufacturer's maximum liability, in any event, shall not exceed the documented purchase price of the product paid by the original consumer. This warranty only applies to units purchased from an authorized retailer and or re-seller.

NOTE: Some states do not allow an exclusion or limitation of incidental or consequential damages, so some of the above limitations or exclusions may not apply to you; this limited warranty gives you specific legal rights as set for herein. Rights may vary depending on where you reside.

If you wish to obtain performance of any obligation under this limited warranty, you should write to:

**Nexgrill Customer Relations
14050 Laurelwood PI
Chino, CA 91710**

All consumer returns, parts orders, general questions, and troubleshooting assistance can be acquired by calling 1-877-373-2301.

SEGURIDAD DEL CAJONES VERTICAL PARA EXTERIORES

Su seguridad y la seguridad de los demás es muy importante.

Hemos incluido muchos mensajes importantes de seguridad en este manual y en su electrodoméstico. Lea y obedezca siempre todos los mensajes de seguridad.



Este es el símbolo de advertencia de seguridad.

Este símbolo le llama la atención sobre peligros potenciales que pueden ocasionar la muerte o una lesión a usted y a los demás.

Todos los mensajes de seguridad irán a continuación del símbolo de advertencia de seguridad y de la palabra "PELIGRO" o "ADVERTENCIA". Estas palabras significan:

 **PELIGRO**

Si no sigue las instrucciones de inmediato, usted puede morir o sufrir una lesión grave.

 **ADVERTENCIA**

Si no sigue las instrucciones, usted puede morir o sufrir una lesión grave.

Todos los mensajes de seguridad le dirán el peligro potencial, le dirán cómo reducir las posibilidades de sufrir una lesión y lo que puede suceder si no se siguen las instrucciones.

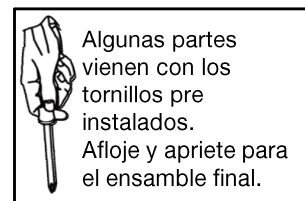
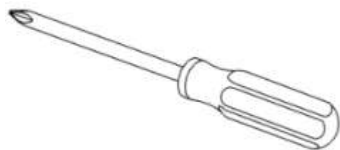
Advertencias de la Proposición 65 del estado de California:

ADVERTENCIA: Este producto contiene una o más sustancias químicas identificadas por el estado de California como causantes de cáncer.

ADVERTENCIA: Este producto contiene una o más sustancias químicas identificadas por el estado de California como causantes de defectos congénitos o algún otro tipo de daños en la función reproductora.

INSTRUCCIONES DE ENSAMBLAJE

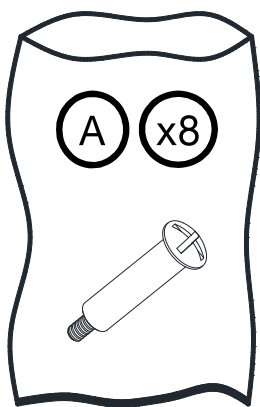
Herramientas necesarias



Algunas partes vienen con los tornillos pre instalados. Afloje y apriete para el ensamble final.

Lista de tornillos del paquete

Tornillo de paso
5/32 - 32 x 5/16"



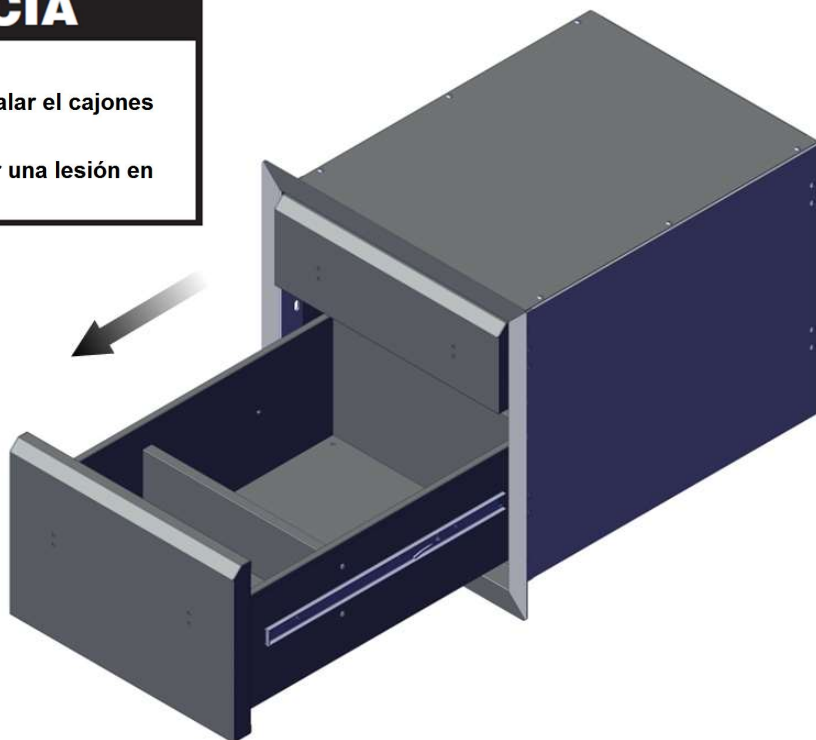
1.

⚠ ADVERTENCIA

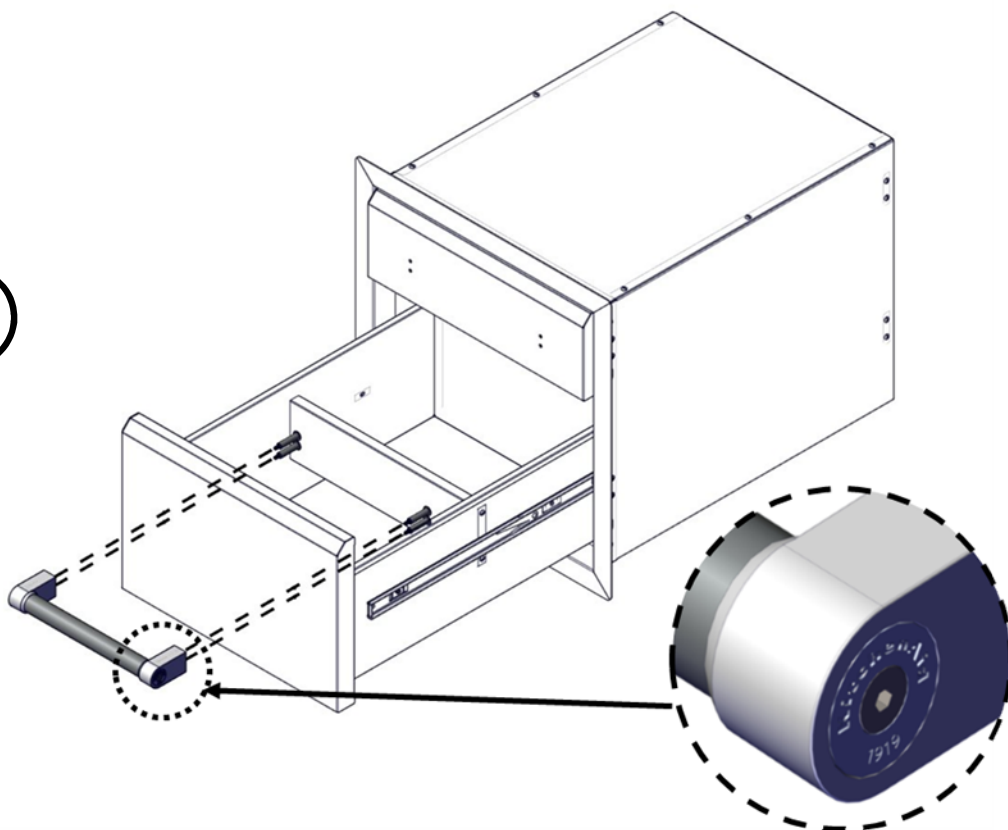
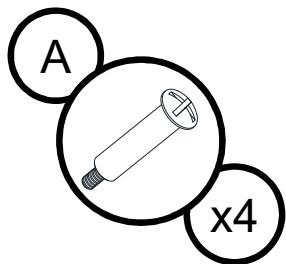
Peligro de Peso Excesivo

Use dos o más personas para mover e instalar el cajones vertical.

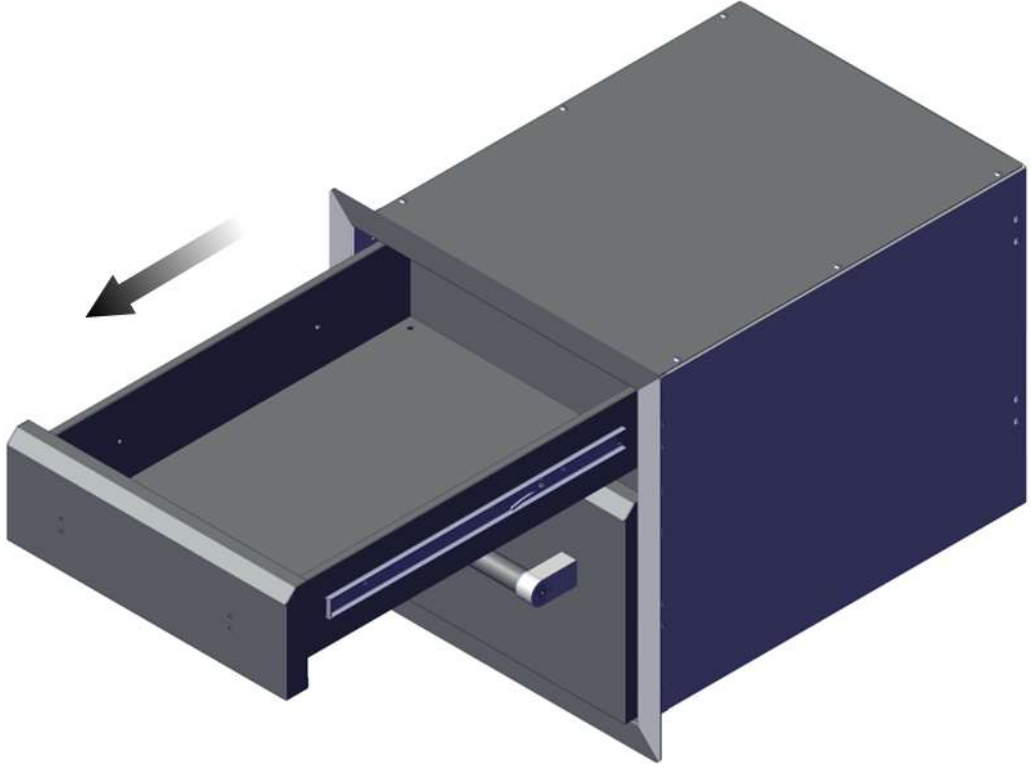
No seguir esta instrucción puede ocasionar una lesión en la espalda u otro tipo de lesiones.



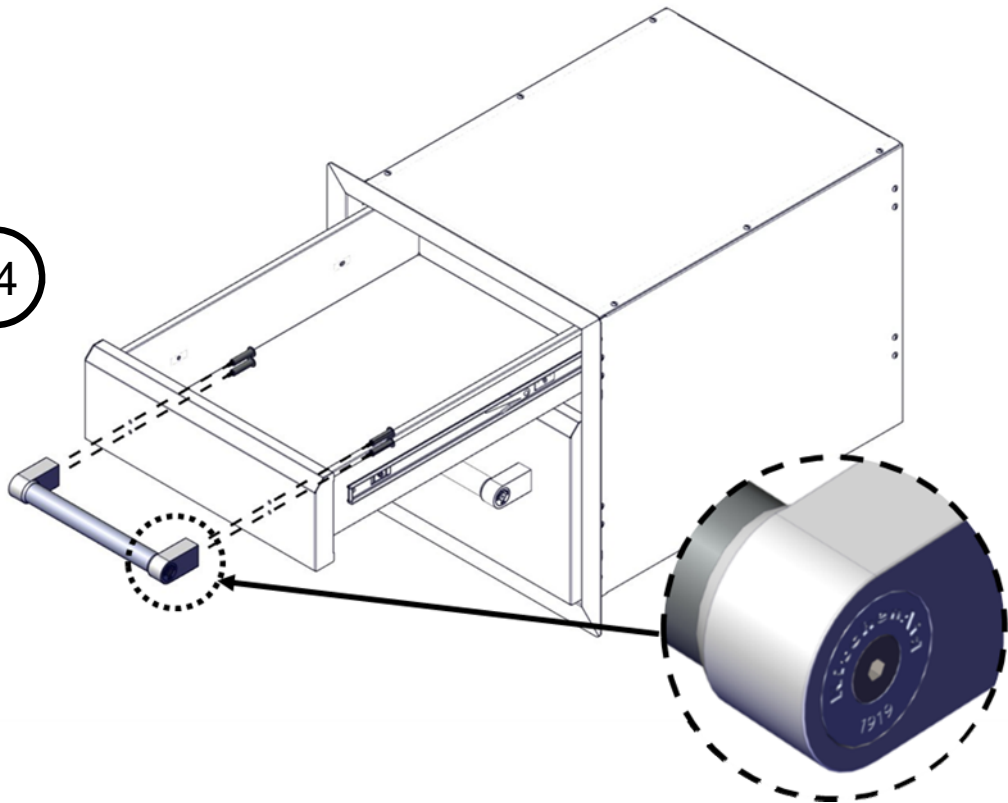
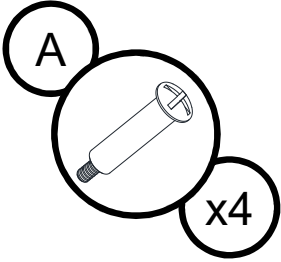
2.



3.



4.



REQUISITOS DE INSTALACIÓN

Herramientas y piezas

Reúna todas las herramientas y piezas necesarias antes de comenzar la instalación. Lea y siga las instrucciones provistas con cualquiera de las herramientas enlistadas aquí.

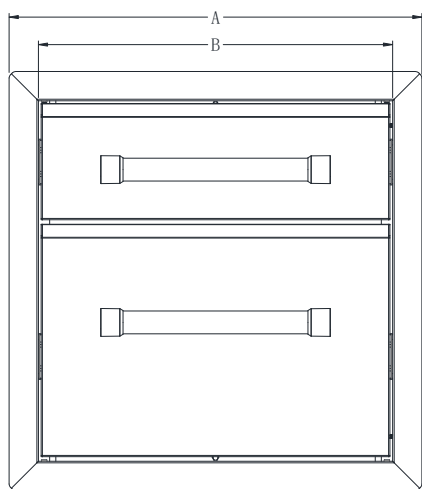
Herramientas necesarias

- Cinta de medir
- Destornilladores Philips
- Nivel

Piezas necesarias

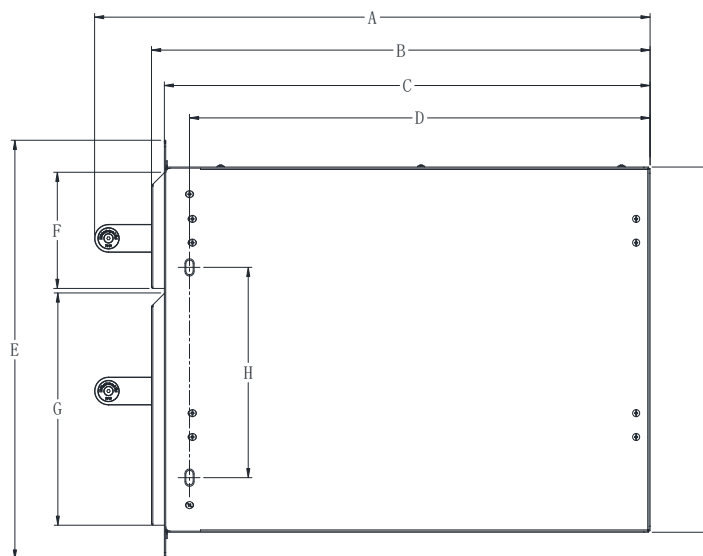
- Tornillos (Cantidad y tipo a determinar por los requisitos del material del armario)

Medidas del producto



A. 17.76" (45.1 cm)

B. 15.24" (38.7 cm)



A. 23.5" (59.7 cm)

B. 21.4" (54.5 cm)

C. 20.9" (53.1 cm)

D. 19.81" (50.32 cm)

E. 18.03" (45.8 cm)

F. 5" (12.7 cm)

G. 10" (25.4 cm)

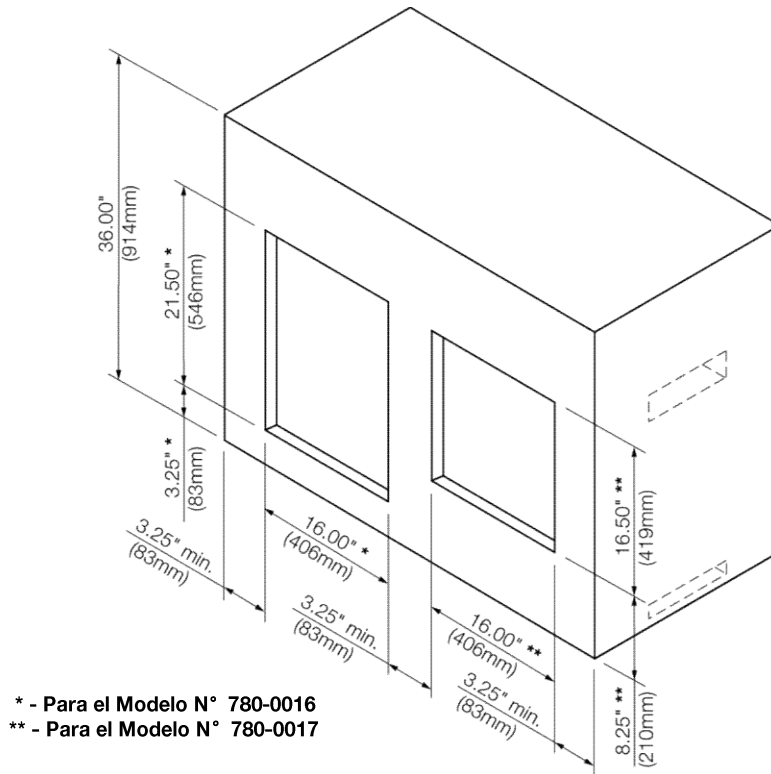
H. 9.06" (23 cm)

I. 15.72" (39.94 cm)

Dimensiones del corte del armario

La ilustración a continuación incluye las dimensiones de corte y los requisitos mínimos de espacio. La misma es para referencia. Puede hacerse el diseño de la disposición del armario a la medida, pero las dimensiones para los recortes y el espacio mínimo deben seguirse.

Las superficies centrales o de soporte deberán estar niveladas.



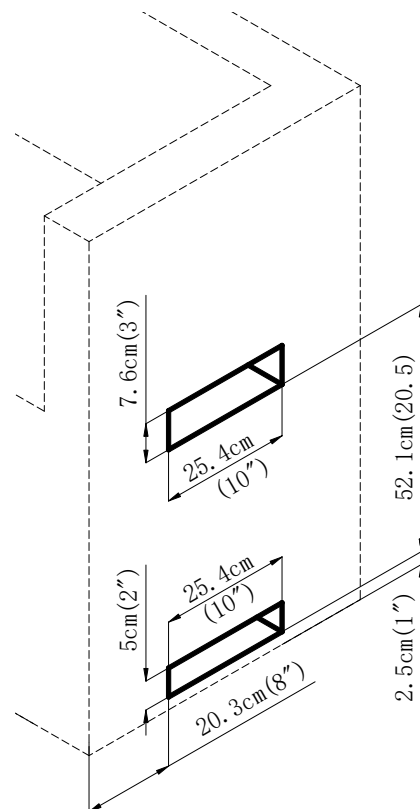
Requisitos de ventilación para el recinto del asador empotrado para exteriores

Cualquier recinto deberá ventilarse con aberturas en los niveles superior e inferior del mismo. La información a continuación es la ventilación mínima apropiada de su construcción tipo isla.

- Deberá haber un espacio mínimo de 1 7/8" (4,4 cm) entre la parte inferior de la ensamblaje de la escudilla del quemador principal y la pared frontal de la para una ventilación adecuada.

NOTA: No deberá haber ninguna superficie maciza por debajo de la sección de la caja de fuego del asador.

- Se necesita un mínimo de 3" (7,6 cm) entre la parte posterior del asador y los materiales no combustibles. Se necesita un mínimo de 24" (61,0 cm) entre la parte posterior del asador y los materiales combustibles.
- La isla deberá ventilarse de una de las dos maneras siguientes:
 Una ventilación de 90° o de 180° en la isla, para asegurar que el aire fluya a través de la isla a 90° ó 180° .
- Cualquier recinto para la instalación empotrada deberá tener por lo menos una abertura de ventilación sobre un lado exterior expuesto, ubicado a menos de 2½" (6,0 cm) de la parte superior y deberá ser de 20 pulg² (129,0 cm²) como mínimo. Una abertura para ventilación debe estar a menos de 1½" (3,0 cm) de la parte inferior del recinto, y la abertura de la parte inferior necesita ser de un mínimo de 10 pulg² (64,5 cm²). Todas las aberturas de ventilación deberán ser sin obstrucciones Cada abertura deberá tener un ancho mínimo de 1/8" (0,32 cm).
- Para cerciorarse de que el asador funciona debidamente, se recomienda que la isla tenga ventilación en los 4 lados, como se muestra en la ilustración siguiente. Los orificios de ventilación deberán ser hechos según el diagrama, para cerciorarse de una ventilación adecuada para el asador y la isla.



- Se requiere una ventilación adecuada basada en las especificaciones mencionadas anteriormente, para que el asador funcione como es debido.

INSTRUCCIONES DE INSTALACIÓN

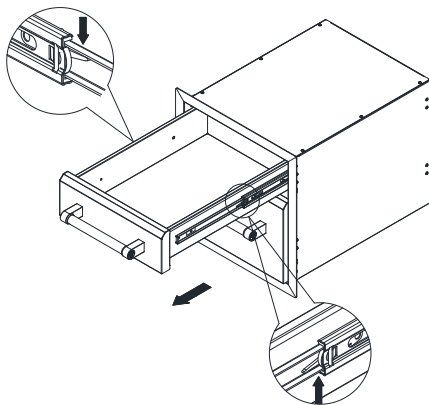
⚠ ADVERTENCIA

Peligro de Peso Excesivo

Use dos o más personas para mover e instalar el cajones vertical.

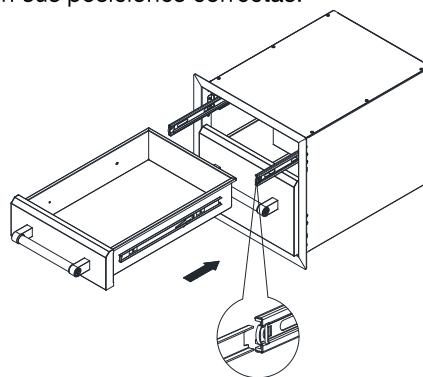
No seguir esta instrucción puede ocasionar una lesión en la espalda u otro tipo de lesiones.

1. Retire los cajones del bastidor de montaje:
 - Extienda completamente el cajón vacío
 - Empuje hacia arriba una palanca de liberación mientras empuja la otra palanca de liberación hacia abajo.
 - Tire el cajón hacia fuera hasta que se suelte de la corredera del cajón.



2. Instale el marco de montaje a ras del recorte del gabinete. Asegúrese de que el marco de montaje esté nivelado.

3. Instale los tornillos (no suministrados) en los orificios situados en el marco de montaje.
4. Reinserción de los cajones:
 - Extienda la corredera del cajón.
 - Inserte los soportes de cada lado del cajón en las ranuras de la corredera, teniendo cuidado de que estén colocados correctamente.
 - Una vez insertado correctamente, cierre completamente el cajón para colocar las correderas en sus posiciones correctas.



CUIDADO DEL CAJONES VERTICAL PARA EXTERIORES

Limpieza general

IMPORTANTE: Para una limpieza de rutina, lávelo con agua y jabón, usando un paño suave o una esponja. Enjuague con agua limpia y seque enseguida con un paño suave sin pelusa, para evitar manchas y rayas. No use estopa de acero para limpiar el producto, ya que rayará la superficie.

ACERO INOXIDABLE

IMPORTANTE: Para evitar daños a las superficies de acero inoxidable, no use estropajos que vienen con jabón, productos de limpieza abrasivos, crema para pulir la superficie de cocción, estopa de acero, paños ásperos ni toallas de papel. Los productos de limpieza no deben tener cloro. Pueden ocurrir daños. Los derrames pueden ocasionar una decoloración permanente.

Método de limpieza:

- Frote en la dirección de la veta para evitar rayar o dañar la superficie.
 - Limpiador de acero inoxidable.
 - Detergente líquido o producto de limpieza general
 - Enjuague con agua limpia y seque con un paño suave que no deje pelusa.
 - Vinagre para quitar manchas de agua dura.
 - Limpiador de vidrios para quitar las huellas digitales.

EXTERIOR y INTERIOR

Debido a su calidad, este material resiste la mayoría de las manchas y las picaduras, siempre y cuando se mantenga la superficie limpia, pulida y cubierta.

Método de limpieza:

- Aplique pulidor de acero inoxidable a todas las áreas antes del primer uso.
- Vuelva a aplicar después de cada limpieza para evitar daños.
- Limpieza deberá seguir siempre con un enjuague de agua tibia limpia.
- Utilice pulidor de metal o acero inoxidable para eliminar las huellas dactilares, manchas de agua, oxidación y manchas de comida. Siga siempre las instrucciones del fabricante.
- Seque la superficie por completo con un paño suave.

ASISTENCIA

Cuando llame, tenga a mano la fecha de compra y el número completo del modelo y de la serie de su electrodoméstico. Esta información nos ayudará a atender mejor a su pedido.

Si necesita piezas de repuesto

Si tiene preguntas o necesita pedir piezas de repuesto, contacte a Servicio al cliente al 1-877-373-2301

Dirija toda la correspondencia a:

Nexgrill Industries, Inc.
14050 Laurelwood Pl,
Chino, CA 91710

Por favor incluya en su correspondencia un número de teléfono en el que se le pueda localizar durante el día.

GARANTÍA LIMITADA (Modelo N° 780-0017)

Nexgrill garantiza solamente al consumidor-comprador original de este producto (Modelo N° 780-0017) que el mismo estará libre de defectos en los materiales y la mano de obra después del ensamblaje correcto y bajo uso normal y razonable en el hogar, durante los períodos indicados a continuación, a partir de la fecha de compra. El fabricante se reserva el derecho de exigir evidencia fotográfica del daño o la devolución de las piezas defectuosas con los gastos por envío y/o flete prepagados por el consumidor, para su revisión y examen.

Piezas de acero inoxidable: Garantía LIMITADA de 3 años contra perforaciones; no cubre problemas estéticos tales como corrosión en la superficie, rayones ni óxido.

Una vez que el consumidor provea la prueba de compra como se indica en la presente, el Fabricante reparará o reemplazará las piezas que hayan probado ser defectuosas durante el período cubierto por la garantía. Las piezas necesarias para completar la reparación o el reemplazo se proveerán gratuitamente, excepto por los costos de envío, siempre y cuando el comprador esté dentro del período de la garantía a partir de la fecha de compra original. El comprador-consumidor original será responsable por todos los cargos por envío de las piezas reemplazadas bajo los términos de esta garantía limitada. Esta garantía limitada es aplicable solamente en los Estados Unidos, Canadá solamente, está disponible solamente para el dueño original del producto y no es transferible. El fabricante requiere una prueba razonable de la fecha de compra. Por lo tanto, usted deberá conservar su recibo de compra y/o la factura. Si la unidad fue recibida como regalo, solicite a la persona que le hizo el regalo que envíe el recibo en su nombre a la dirección que aparece debajo. Las piezas defectuosas o faltantes que estén cubiertas por esta garantía limitada no serán reemplazadas sin el registro o la prueba de compra. Esta garantía limitada se aplica SOLAMENTE a la funcionalidad del producto y no cubre problemas estéticos tales como rayones, abolladuras, corrosión o decoloración ocasionada por el calor, los limpiadores abrasivos y químicos o cualquier herramienta usada en el ensamblaje o la instalación del aparato, óxido de la superficie o decoloración de las superficies de acero inoxidable. El óxido, la corrosión o las desportilladuras de la pintura en polvo de la superficie en las piezas de metal que no afecten la integridad estructural del producto no se considera un defecto en la mano de obra ni en los materiales, y por lo tanto no están cubiertos bajo esta garantía. Bajo esta garantía limitada, usted no recibirá un reembolso por el costo de cualquier inconveniencia, alimento, herida personal o daño a la propiedad. Si no existe una pieza original de repuesto, se le enviará una pieza de repuesto equivalente. Usted será responsable por todos los cargos por envío de las piezas reemplazadas bajo los términos de esta garantía limitada.

EL FABRICANTE NO PAGARÁ POR LOS SIGUIENTES ARTÍCULOS:

- Visitas de servicio a su hogar.
- Reparaciones cuando su producto se use de un modo diferente al doméstico o residencial normal de una familia.
- Reparaciones e instalación de material que rodea el producto y / o su (s) recinto (s).
- Daños causados por accidente, alteración, uso indebido, falta de mantenimiento/limpieza, abuso, incendio, inundación, actos fortuitos, instalación incorrecta, instalación que no esté de acuerdo con los códigos eléctricos o de plomería, o el empleo de productos no aprobados por el fabricante.
- Cualquier pérdida de comida debida a la falla del producto.
- Costos de piezas de repuesto o gastos de reparación para unidades que se empleen fuera de los Estados Unidos o Canadá.
- Recogida y entrega de su producto.
- Cargos por envío o cargos por procesamiento de fotos enviadas como documentación.
- Reparaciones de piezas o sistemas como resultado de modificaciones no autorizadas que se hayan efectuado en el producto.
- La remoción y/o reinstalación del producto.
- Costos por transporte, común o acelerado, para las piezas de repuesto bajo garantía o sin garantía.

EXCLUSIÓN DE GARANTÍAS IMPLÍCITAS; LIMITACIÓN DE RECURSOS

La reparación o el reemplazo de las piezas defectuosas será su único recurso bajo los términos de esta garantía limitada. El fabricante no será responsable por cualquier daño consecuente o incidental que surja del incumplimiento de esta garantía limitada o de cualquier garantía implícita que sea aplicable, ni por la falla o daños ocasionados por actos fortuitos, el cuidado y mantenimiento inadecuados, incendios ocasionados por grasa, accidentes, alteraciones, el reemplazo de piezas por parte de alguien que no sea el Fabricante, uso indebido, transporte, uso comercial, abuso, medioambientes hostiles (inclemencias del tiempo, catástrofes naturales, manipulación por parte de animales), instalación incorrecta o instalación que no esté de acuerdo con los códigos locales o las instrucciones impresas por el fabricante.

ESTA GARANTÍA LIMITADA SERÁ LA ÚNICA GARANTÍA EXPRESA OTORGADA POR EL FABRICANTE. NO EXISTIRÁ NINGUNA OTRA GARANTÍA POR PARTE DEL FABRICANTE CON RESPECTO AL DESEMPEÑO SEGÚN LA ESPECIFICACIÓN O LA DESCRIPCIÓN DEL PRODUCTO, EN DONDE SEA QUE APAREZCA, EXCEPTO EN LA MEDIDA EN QUE SE HA INDICADO EN ESTA GARANTÍA LIMITADA. TODA PROTECCIÓN POR GARANTÍAS IMPLÍCITAS QUE SURJA BAJO LAS LEYES DE CUALQUIER ESTADO, INCLUIDAS LAS GARANTÍAS IMPLÍCITAS DE COMERCIABILIDAD O DE CAPACIDAD PARA UN PROPÓSITO O USO EN PARTICULAR, ESTARÁ LIMITADA EN SU DURACIÓN A LA DURACIÓN DE ESTA GARANTÍA LIMITADA.

Ni los distribuidores, ni el establecimiento minorista que venda este producto, tendrán ninguna autoridad para hacer garantías adicionales o para prometer recursos adicionales a los establecidos anteriormente o en contra de los mismos. En todo caso, la máxima responsabilidad del fabricante no excederá del precio documentado por la compra del producto pagado por el consumidor original. Esta garantía se aplica solamente para las unidades compradas a un minorista o revendedor autorizado.

NOTA: Algunos estados no permiten la exclusión o limitación de daños incidentales o consecuentes, de modo que las limitaciones o exclusiones indicadas anteriormente pueden no aplicarse en su caso; esta garantía limitada le otorga derechos legales específicos según se indica en la presente. **Los derechos pueden variar dependiendo de donde reside.**

Si usted desea llevar a cabo una acción por cualquier obligación bajo esta garantía limitada, deberá escribir a:

**Nexgrill Customer Relations
14050 Laurelwood PI
Chino, CA 91710**

Toda la información relativa a devoluciones, pedidos de piezas, preguntas generales y asistencia con problemas de funcionamiento por parte del consumidor, podrá obtenerse llamando al 1-877-373-2301.

SÉCURITÉ DU TIROIRS VERTICAUX EXTÉRIEURS

Votre sécurité et celle des autres est très importante.

Nous donnons de nombreux messages de sécurité importants dans ce manuel et sur votre appareil ménager. Assurez-vous de toujours lire tous les messages de sécurité et de vous y conformer.



Voici le symbole d'alerte de sécurité.

Ce symbole d'alerte de sécurité vous signale les dangers potentiels de décès et de blessures graves à vous et à d'autres.

Tous les messages de sécurité suivront le symbole d'alerte de sécurité et le mot "DANGER" ou "AVERTISSEMENT". Ces mots signifient :

⚠ DANGER

Risque possible de décès ou de blessure grave si vous ne suivez pas immédiatement les instructions.

⚠ AVERTISSEMENT

Risque possible de décès ou de blessure grave si vous ne suivez pas les instructions.

Tous les messages de sécurité vous diront quel est le danger potentiel et vous disent comment réduire le risque de blessure et ce qui peut se produire en cas de non-respect des instructions.

Avertissements de la proposition 65 de l'État de Californie :

AVERTISSEMENT: Ce produit contient au moins un produit chimique connu par l'État de Californie pour être à l'origine de cancers.

AVERTISSEMENT: Ce produit contient au moins un produit chimique connu par l'État de Californie pour être à l'origine de malformations et autres déficiences de naissance.

CONSIGNES POUR L'ASSEMBLAGE

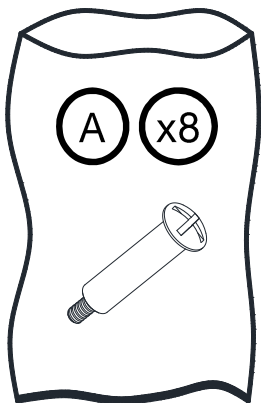
Outillage Requis



 Certaines pièces sont livrées avec les vis pré-installées. Desserrez et resserrez pour l'assemblage final.

Liste des vis de l'emballage

Vis à tôle
5/32 - 32 x 5/16"



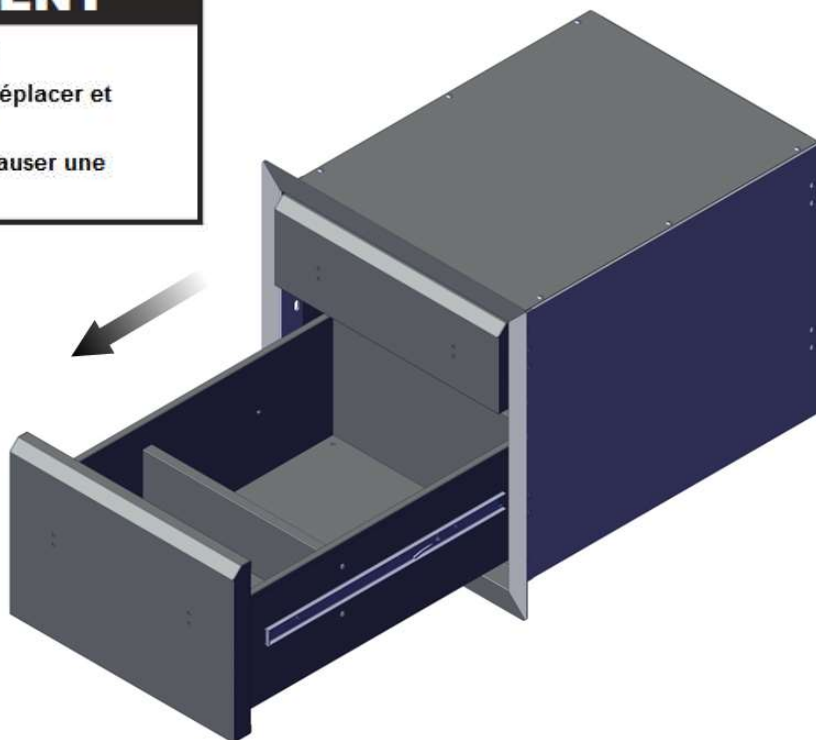
1.

⚠ AVERTISSEMENT

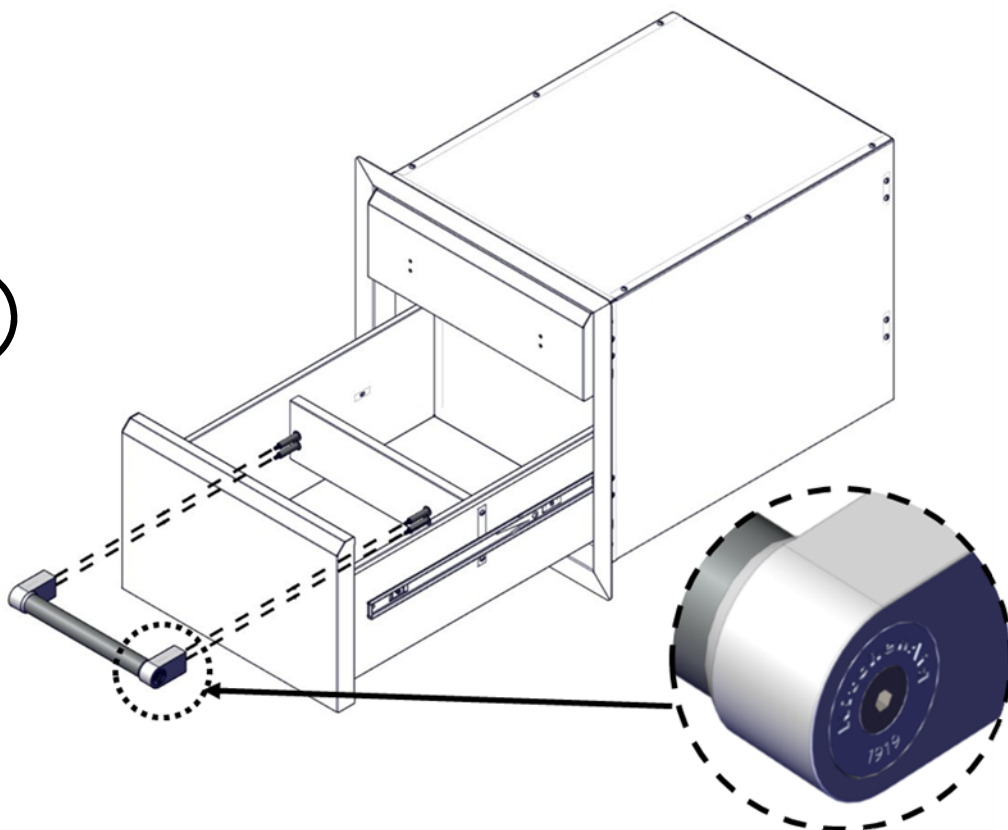
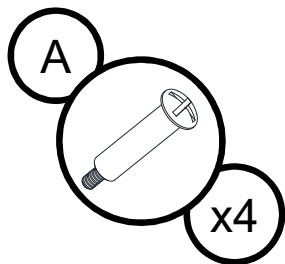
Risque du poids excessif

Utiliser deux ou plus de personnes pour déplacer et installer les tiroirs verticaux.

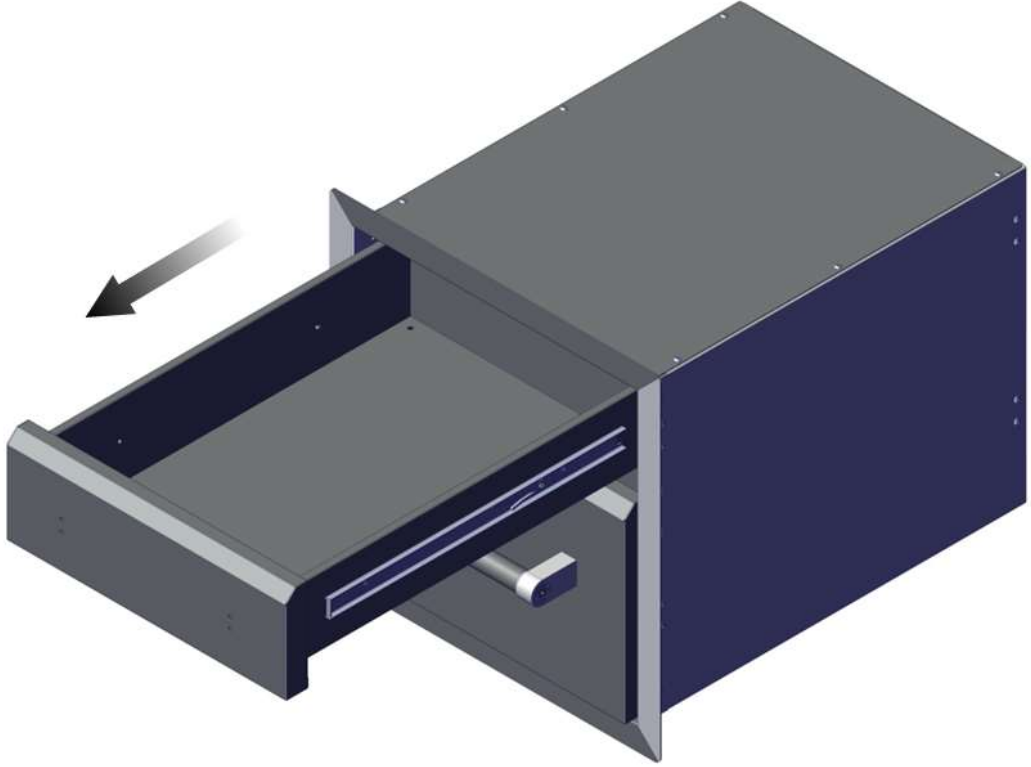
Le non-respect de cette instruction peut causer une blessure au dos ou d'autre blessure.



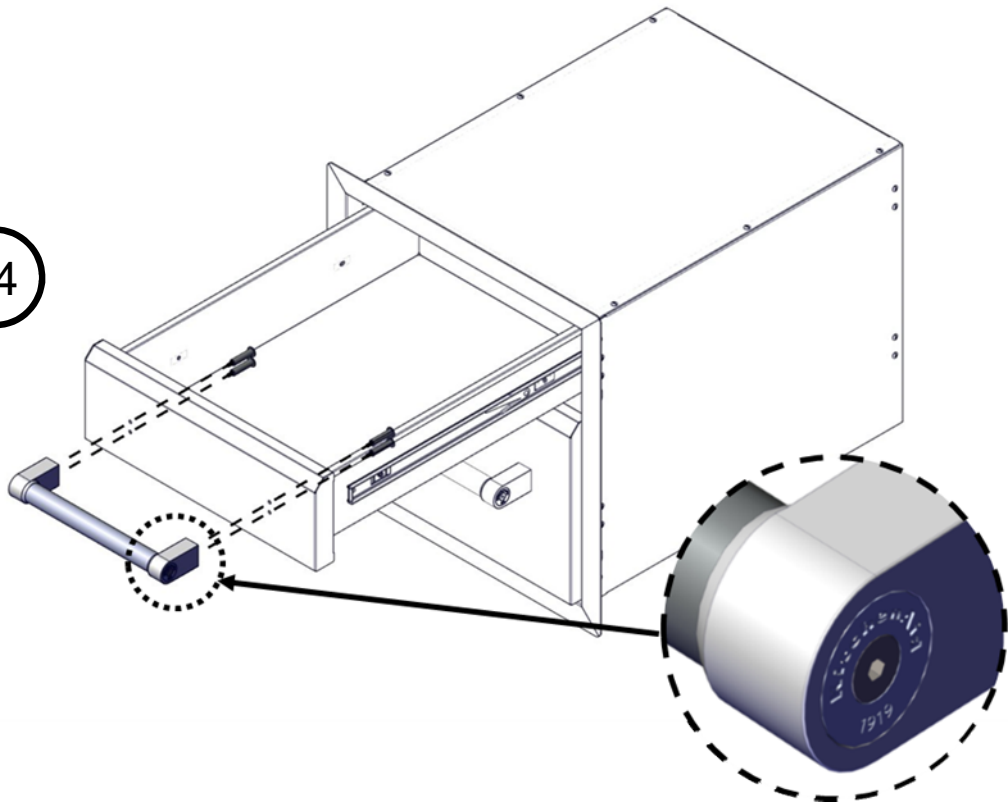
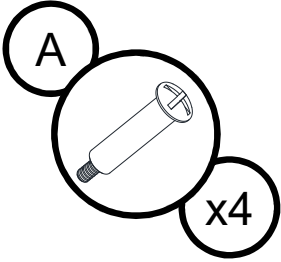
2.



3.



4.



EXIGENCES D'INSTALLATION

Outils et pièces

Rassembler les outils et pièces nécessaires avant d'entreprendre l'installation. Lire et observer les instructions fournies avec chacun des outils de la liste ci-dessous.

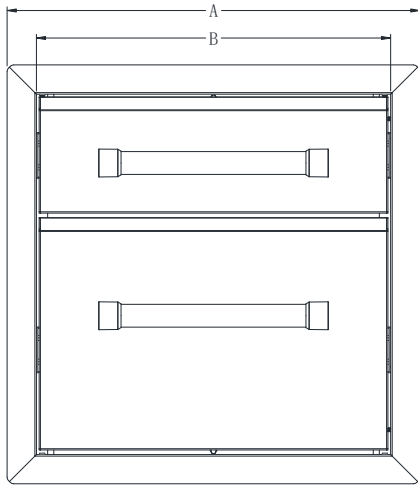
Outillage nécessaire

- Mètre-ruban
- Tournevis cruciforme phillips
- Niveau

Pièces nécessaires

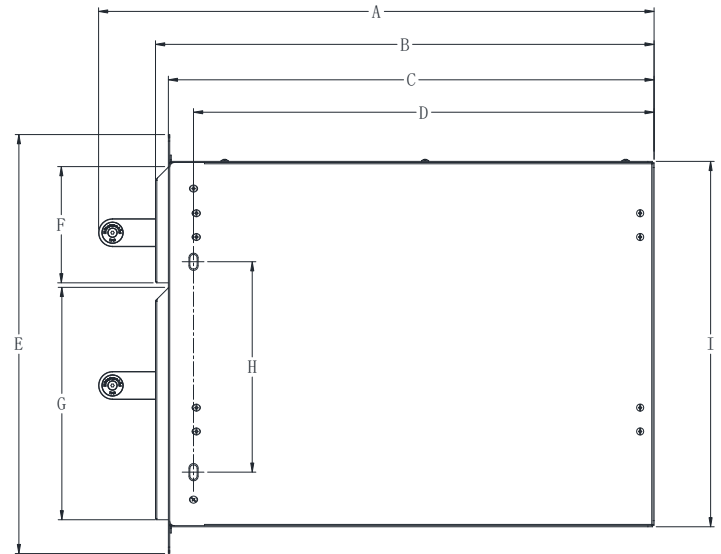
- Des vis (La quantité et le type à déterminer par les exigences du matériel de l'armoire)

Dimensions du produit



A. 17.76" (45.1 cm)

B. 15.24" (38.7 cm)



A. 23.5" (59.7 cm)

B. 21.4" (54.5 cm)

C. 20.9" (53.1 cm)

D. 19.81" (50.32 cm)

E. 18.03" (45.8 cm)

F. 5" (12.7 cm)

G. 10" (25.4 cm)

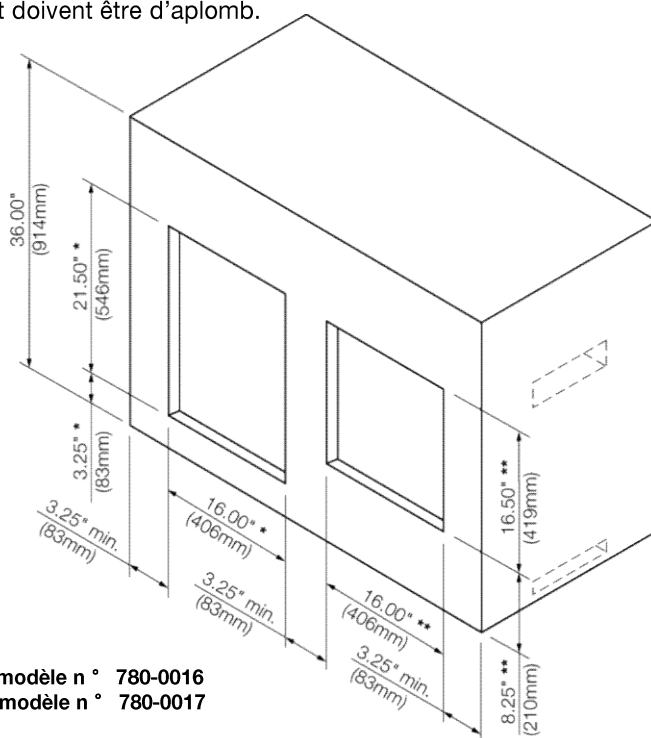
H. 9.06" (23 cm)

I. 15.72" (39.94 cm)

Dimensions de l'ouverture à découper dans le placard

L'illustration ci-dessous comprend les dimensions des ouvertures découpées ainsi que les dégagements minimaux. L'illustration est à titre de référence. L'agencement du placard peut être personnalisé, mais les dimensions des ouvertures à découper et les dégagements de séparation minimaux doivent être respectés.

Les surfaces centrales ou de support doivent être d'aplomb.



* - Pour le modèle n° 780-0016
 ** - Pour le modèle n° 780-0017

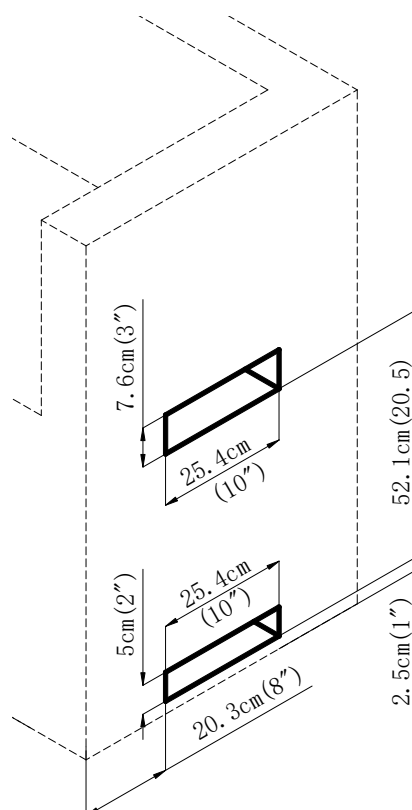
Exigences d'évacuation pour l'enceinte du gril d'extérieur encastré

Toute enceinte doit être aérée grâce à des ouvertures aux niveaux supérieurs et inférieurs de l'ouverture. Les renseignements suivants représentent les dimensions minimales pour une bonne aération avec une construction en îlot.

- Il doit y avoir un dégagement minimum de 1 7/8" (4,4 cm) entre le montage de la cuvette du bruleur principal et la face avant de la construction en îlot pour une bonne aération.

REMARQUE: Il ne doit pas y avoir de surface solide sous la chambre de cuisson du gril.

- Un minimum de 3" (7,6 cm) est nécessaire entre l'arrière du gril et tout matériau non combustible. Un minimum de 24" (61,0 cm) est nécessaire entre l'arrière du gril et tout matériau combustible.
- La construction en îlot doit être aérée de l'une des deux manières suivantes :
 Une ventilation de 90° ou 180° dans la construction en îlot pour permettre à l'air de circuler à travers la construction en îlot à 90° ou 180° .
- Une enceinte pour une installation encastrée doit posséder au moins une ouverture d'aération sur un côté extérieur exposé situé à 2 1/2" (6,0 cm) maximum du sommet - celle-ci doit être d'un minimum de 20 po2 (129 cm2). Une ouverture d'aération doit se trouver à 1 1/2" (3 cm) du bas de l'enceinte, et l'ouverture inférieure doit se trouver à un minimum de 10 po2 (64,5 cm2). Toutes les ouvertures d'aération doivent être libres de toute obstruction. Chaque ouverture doit posséder une largeur de 1/8" (0,32 cm) minimum.
- Afin de s'assurer que le gril fonctionne correctement, il est recommandé que la construction en îlot possède une aération des 4 côtés, tel qu'indiqué dans l'illustration suivante. Les ouvertures de ventilation doivent être identiques à celles du schéma pour garantir une aération correcte du gril et de la construction en îlot.



- Pour que votre gril fonctionne correctement, une ventilation correcte basée sur les spécifications mentionnées ci-dessus est nécessaire.

INSTRUCCIONES DE INSTALACIÓN

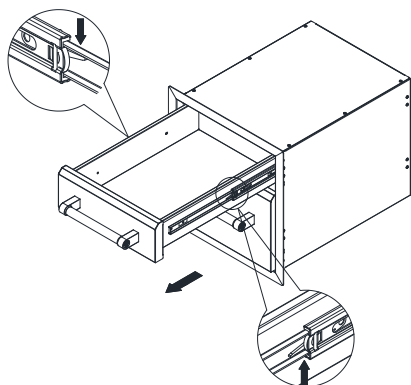
⚠ AVERTISSEMENT

Risque du poids excessif

Utiliser deux ou plus de personnes pour déplacer et installer les tiroirs verticaux.

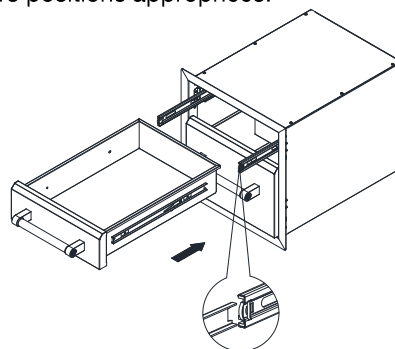
Le non-respect de cette instruction peut causer une blessure au dos ou d'autre blessure.

1. Enlever les tiroirs cadre de montage:
 - Déployez complètement le tiroir vide
 - Poussez le levier de libération tout en poussant l'autre levier de déverrouillage vers le bas.
 - Tirez le tiroir jusqu'à ce qu'il soit libéré de la glissière tiroir.



2. Installer le cadre de montage affleurant armoire découper. Assurez-vous que le cadre de montage est de niveau.

3. Installez les vis (non fournies) dans les trous du cadre de montage.
4. Réinsertion de tiroirs:
 - Étendre le tiroir.
 - Insérez les crochets de chaque côté du tiroir dans les fentes de la glissière, en prenant soin qu'ils sont correctement positionnés.
 - Une fois correctement insérée, fermer complètement le tiroir pour placer les lames dans leurs positions appropriées.



ENTRETIEN DU TIROIRS VERTICAUX EXTÉRIEURS

Nettoyage général

IMPORTANT: Pour le nettoyage de routine, laver à l'eau savonneuse à l'aide d'un chiffon doux ou d'une éponge. Rincer à l'eau propre et sécher immédiatement à l'aide d'un chiffon doux, sans charpie, afin d'éviter les taches et coulées. Ne pas utiliser de laine d'acier pour nettoyer le grill, car ceci égratignera la surface.

ACIER INOXYDABLE

IMPORTANT: Afin d'éviter d'endommager les surfaces en acier inoxydable, ne pas utiliser de tampons à récurer savonneux, de nettoyeurs abrasifs, de crème à polir pour table de cuisson, de tampons en laine d'acier, de chiffons de lavage rêches ou d'essuie-tout. Les produits de nettoyage ne doivent pas contenir de chlore. Des dommages peuvent survenir. Les renversements peuvent causer une décoloration permanente.

Méthode de nettoyage :

- Frotter dans la direction du grain pour éviter d'égratigner ou d'endommager la surface.
 - Nettoyant pour acier inoxydable
 - Détergent liquide ou nettoyant tout-usage :
 - Rincer à l'eau propre et sécher avec un chiffon doux sans charpie.
 - Vinaigre pour éliminer les taches d'eau dure.
 - Nettoyant à vitre pour éliminer les traces de doigts.

EXTÉRIEUR et INTÉRIEUR

La qualité de ce matériau résiste à la plupart des taches et piqûres de corrosion dès lors que la surface est maintenue propre et protégée.

Méthode de nettoyage :

- Appliquer le poli pour acier inoxydable sur toutes les zones non dédiées à la cuisson avant la première utilisation.
- Appliquer de nouveau après chaque nettoyage pour éviter d'endommager la surface de façon permanente.
- Le nettoyage doit toujours être suivi d'un rinçage à l'eau tiède propre.
- Utilisez un vernis métallique ou un azurant en acier inoxydable pour éliminer les traces de doigts, les taches d'eau, l'oxydation et les taches alimentaires. Suivez toujours les instructions du fabricant.
- Essuyer complètement la surface à l'aide d'un chiffon doux.

ASSISTANCE

Pour votre appel, veuillez connaître la date d'achat et les numéros de modèle et de série complets de votre appareil. Ces renseignements nous aideront à mieux répondre à votre demande.

Si vous avez besoin de pièces de rechange

Pour toute question ou pour obtenir des pièces de rechange, contacter le service clientèle au 1-877-373-2301.

Prière d'adresser tout courrier à :

Nexgrill Industries, Inc.
14050 Laurelwood Pl,
Chino, CA 91710

Veillez indiquer dans votre correspondance un numéro de téléphone où l'on peut vous joindre dans la journée.

GARANTIE LIMITÉE (Modèle n° 780-0017)

Nexgrill garantit uniquement au consommateur-acquéreur que ce produit (modèle n° 780-0017) sera exempt de tout défaut de fabrication et de matériau après un assemblage correct et dans des conditions d'utilisation domestique normales et raisonnables pour les périodes indiquées ci-dessous, à compter de la date d'achat. Le fabricant se réserve le droit d'exiger des preuves photographiques des dommages, ou que les pièces défectueuses soient renvoyées tout port payé par le consommateur, pour examen.

Pièces en acier inoxydable : Garantie LIMITÉE de 3 ans contre toute perforation; ne couvre pas les problèmes esthétiques tels que la corrosion, les éraflures et la rouille.

Sur présentation d'une preuve d'achat (fournie avec la présente) par le consommateur, le fabricant réparera ou remplacera les pièces qui se sont avérées défectueuses, durant la période de garantie applicable. Le coût des pièces nécessaires à l'exécution de ladite réparation ou dudit remplacement sera pris en charge par nos soins, hormis les frais d'expédition, dans la mesure où l'acheteur reste dans la période de garantie commençant à partir de la date d'achat d'origine. Tous frais d'expédition des pièces remplacées en vertu des conditions de la présente garantie limitée seront à la charge du consommateur-acquéreur initial. Cette garantie limitée s'applique uniquement aux États-Unis, Canada uniquement, ne peut être utilisée que par le propriétaire d'origine du produit et n'est pas cessible. Le fabricant exige une preuve d'achat valable. En conséquence, vous devez conserver votre reçu de vente et (ou) votre facture. Si l'appareil a été offert en cadeau, veuillez demander à la personne l'ayant offert d'expédier le reçu en votre nom, à l'adresse ci-dessous. Aucune pièce défectueuse ou manquante soumise à cette garantie limitée ne sera remplacée sans enregistrement ou preuve d'achat. Cette garantie limitée s'applique UNIQUEMENT à la fonctionnalité de ce produit et ne couvre aucun problème esthétique tel les éraflures, indentations, corrosions ou décolorations liées à la chaleur, à l'emploi de nettoyeurs abrasifs et chimiques ou de tout outil utilisé pour l'assemblage ou l'installation du produit, l'apparition de rouille sur la surface, ou la décoloration des surfaces en acier inoxydable. Dans la mesure où ils n'affectent pas l'intégrité structurale du produit, la présence de rouille ou de corrosion sur la surface, ou l'écaillage de la peinture en poudre sur les pièces métalliques ne sont pas considérés comme des défauts de fabrication ou de matériau et ne sont pas couverts par cette garantie. Cette garantie limitée ne vous remboursera pas les frais liés à tout préjudice physique ou moral, dommages alimentaires ou matériel quelconques. Si une pièce de rechange d'origine n'est pas disponible, une pièce de rechange comparable vous sera expédiée. Tous frais d'expédition des pièces remplacées en vertu des stipulations de cette garantie limitée seront à votre charge.

LE FABRICANT NE PRENDRA PAS EN CHARGE :

- Les visites de service à votre domicile.
- Les réparations lorsque le produit est utilisé à des fins autres que l'usage unifamilial normal ou en résidence.
- Réparations sous licence de tiers/installation entourant le produit et/ou ses enceintes.
- Les dommages imputables à : accident, modification, usage impropre ou abusif, manque d'entretien/nettoyage insuffisant, incendie, inondation, actes de Dieu, installation fautive ou installation non conforme aux codes d'électricité ou de plomberie ou utilisation de produits non approuvés par le fabricant.
- Toute perte alimentaire en raison d'une défaillance du produit.
- Le coût des pièces de rechange et de la main-d'oeuvre de réparation pour les appareils utilisés hors des États-Unis ou du Canada.
- L'enlèvement et la livraison du produit.
- Les frais d'affranchissement ou de développement de photos liés aux photos envoyées comme documentation.
- Les réparations effectuées sur les pièces ou systèmes résultant d'une modification non autorisée apportée au produit.
- L'enlèvement et (ou) la réinstallation du produit.
- Les frais d'expédition, en envoi standard ou express, pour les éléments couverts ou non par la garantie et pour les pièces de rechange.

CLAUSE D'EXONÉRATION DE RESPONSABILITÉ AU TITRE DES GARANTIES IMPLICITES; LIMITATION DES RECOURS

La réparation ou le remplacement des pièces défectueuses constitue l'unique recours du propriétaire en vertu des conditions de la présente garantie limitée. Le fabricant n'assume aucune responsabilité pour tout dommage fortuit ou indirect entraîné par la violation de la présente garantie limitée ou de toute garantie implicite applicable, ou pour toute défectuosité ou dommage entraîné(e) par des actes de Dieu, un mauvais entretien, un feu de graisse, un accident, une modification, le remplacement de pièces par toute autre personne que le fabricant, une mauvaise utilisation, le transport, une utilisation commerciale, un usage abusif, des conditions environnementales détritantes (intempéries, phénomènes naturels, altération causée par des animaux), une installation incorrecte ou non conforme aux codes locaux ou aux instructions fournies par le fabricant.

LA PRÉSENTE GARANTIE LIMITÉE CONSTITUE L'UNIQUE GARANTIE EXPRESSE FOURNIE PAR LE FABRICANT. QUEL QUE CE SOIT L'ENDROIT OÙ ELLE APPARAÎT, AUCUNE SPÉCIFICATION OU DESCRIPTION DE PERFORMANCE DU PRODUIT N'EST GARANTIE PAR LE FABRICANT, HORMIS DANS LA MESURE ÉTABLIE PAR LA PRÉSENTE GARANTIE LIMITÉE. TOUTE PROTECTION CONTRE UNE GARANTIE IMPLICITE EXISTANT EN VERTU DES LOIS D'UN ÉTAT, Y COMPRIS LES GARANTIES IMPLCITES DE QUALITÉ MARCHANDE OU D'APTITUDE À UN USAGE PARTICULIER EST LIMITÉE DANS SA DURÉE PAR LA PRÉSENTE À LA DURÉE DE VALIDITÉ DE CETTE GARANTIE LIMITÉE.

Ni les distributeurs ni l'établissement de détail qui vendent ce produit n'ont autorité à accorder des garanties additionnelles ou de promettre des recours venant en complément ou allant à l'encontre des garanties énoncées ci-dessus. Quelles que soient les circonstances, la responsabilité maximale du fabricant ne s'étend pas au-delà du prix d'achat avéré du produit payé par le consommateur d'origine. Cette garantie s'applique uniquement aux appareils achetés auprès d'un détaillant et (ou) d'un revendeur autorisé(s).

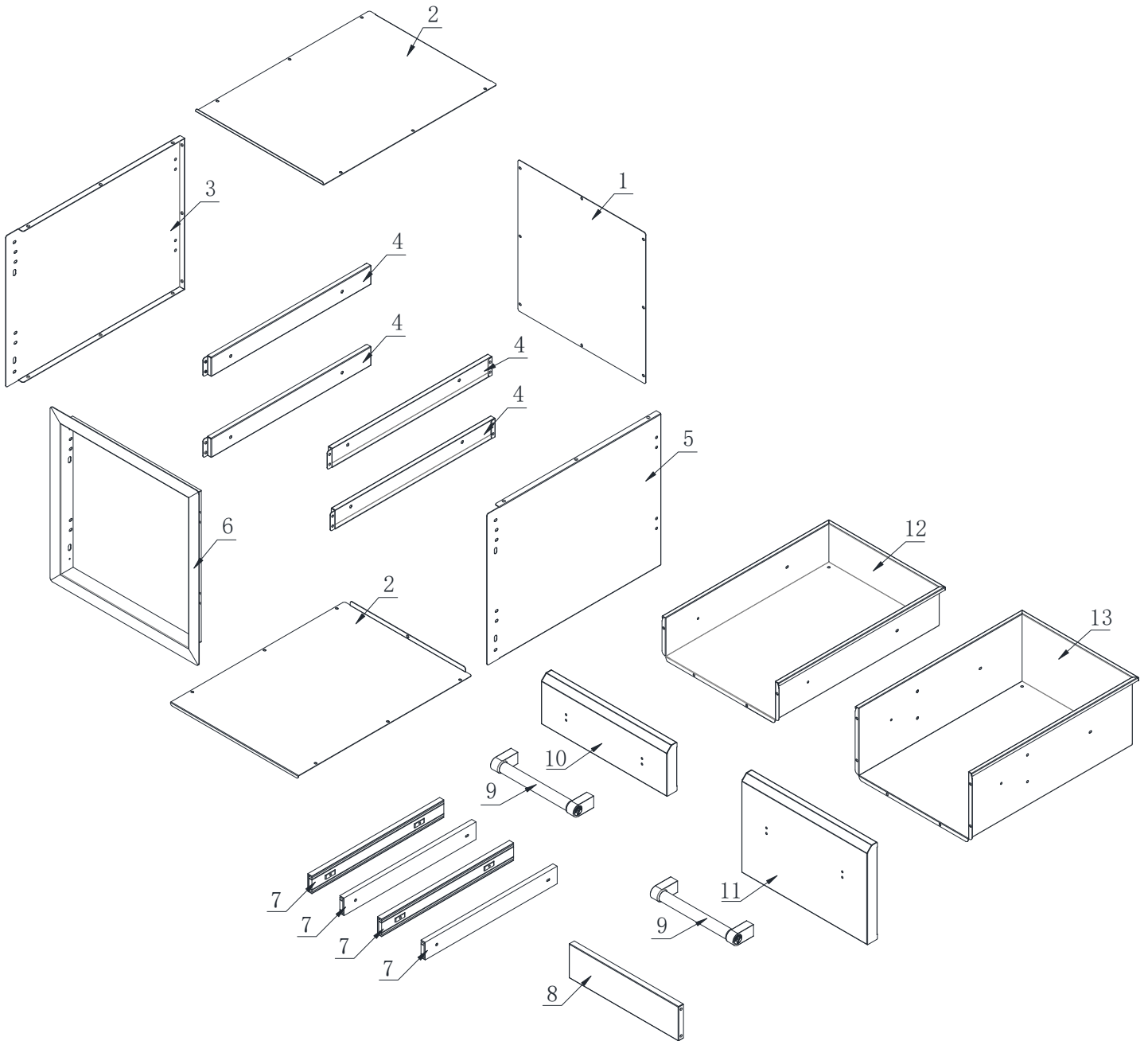
REMARQUE : Certains États ne permettent pas l'exclusion ou la limitation des dommages fortuits ou indirects, de sorte que les limitations ou exclusions ci-dessus peuvent ne pas s'appliquer dans votre cas; cette garantie limitée vous confère des droits spécifiques tels que mentionnés aux présentes. Droits peut varier selon l'endroit où votre résidence.

Si vous souhaitez obtenir l'application de toute obligation établie par la présente garantie limitée, veuillez écrire à l'adresse suivante:

**Nexgrill Customer Relations
14050 Laurelwood PI
Chino, CA 91710**

. Toutes les demandes de remboursement, commandes de pièces, questions d'ordre général et assistance dépannage du consommateur peuvent être obtenues en appelant le 1-877-373-2301.

Replacement Parts see Page 34
Piezas de Reemplazo ver Pagina 34
Remplacement Pieces voir Page 34



Parts List

No.	Part (Description)	QTY	No.	Part (Description)	QTY
1	Rear Panel	1	8	Drawer Divider	1
2	Top Panel	2	9	Drawer Handle Assembly	2
3	Left Side Panel	1	10	Drawer Front Panel, Top	1
4	Drawer Slide Bracket	4	11	Drawer Front Panel, Bottom	1
5	Right Side Panel	1	12	Drawer, Top	1
6	Drawer Frame Assembly	1	13	Drawer, Bottom	1
7	Drawer Slide	4	14		

Lista de partes

No.	Pieza (Descripción)	CANT.	No.	Pieza (Descripción)	CANT.
1	Panel trasero	1	8	Divisor de cajones	1
2	Panel superior	2	9	Ensamblaje del mango del cajón	2
3	Panel lateral izquierdo	1	10	Panel frontal del cajón, superior	1
4	Soporte de corredera de cajón	4	11	Panel frontal del cajón, inferior	1
5	Panel lateral derecho	1	12	Cajón, superior	1
6	Ensamblaje del marco del cajón	1	13	Cajón, inferior	1
7	Corredera de cajón	4			

Liste des pièces

N°	Pièce (description)	QTÉ	N°	Pièce (description)	QTÉ
1	Panneau arrière	1	8	Tiroir planchette	1
2	Panneau du haut	2	9	L'ensemble des poignées de tiroirs	2
3	Panneau latéral gauche	1	10	Panneau avant du tiroir, haut	1
4	Support de la glissière du tiroir	4	11	Panneau avant du tiroir, bas	1
5	Panneau latéral droit	1	12	Tiroir, haut	1
6	L'ensemble de cadre du tiroir	1	13	Tiroir, bas	1
7	Glissière du tiroir	4			

780-0017

© 2016

All rights reserved.

Todos los derechos reservados.

Tous droits réservés.

®/™ ©2016 KitchenAid. All rights reserved.
Manufactured under license by Nexgrill Industries, Inc., Chino, CA.
Limited warranty provided by manufacturer.

®/™ ©2016 KitchenAid. Todos los derechos reservados.
Fabricado bajo licencia por Nexgrill Industries, Inc., Chino, CA.
Garantía limitada provista por el fabricante.

®/™ ©2016 KitchenAid. Tous droits réservés.
Fabriqué sous licence par Nexgrill Industries, Inc., Chino, CA.
Garantie limitée fournie par le fabricant.

12/16
Printed in China
Impreso en China
Im-primé en Chine