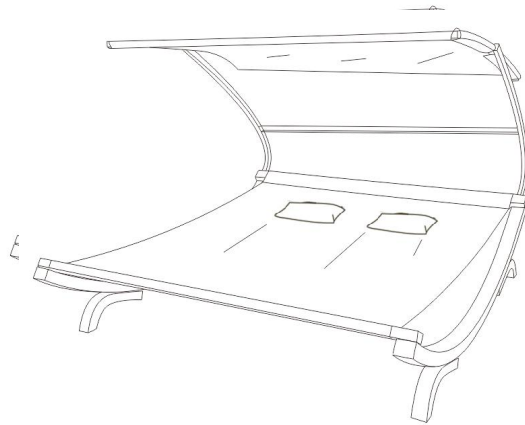









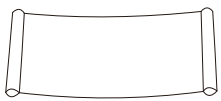
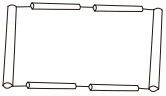

Assembly Instructions

Wooden Sun Lounger

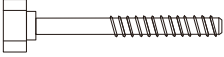
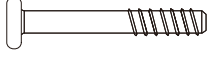
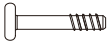



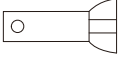




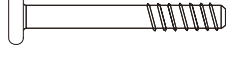
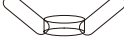


Caution : Do Not Swing on or in hammock. This could cause the product to tip over resulting in possible injury.

Parts List

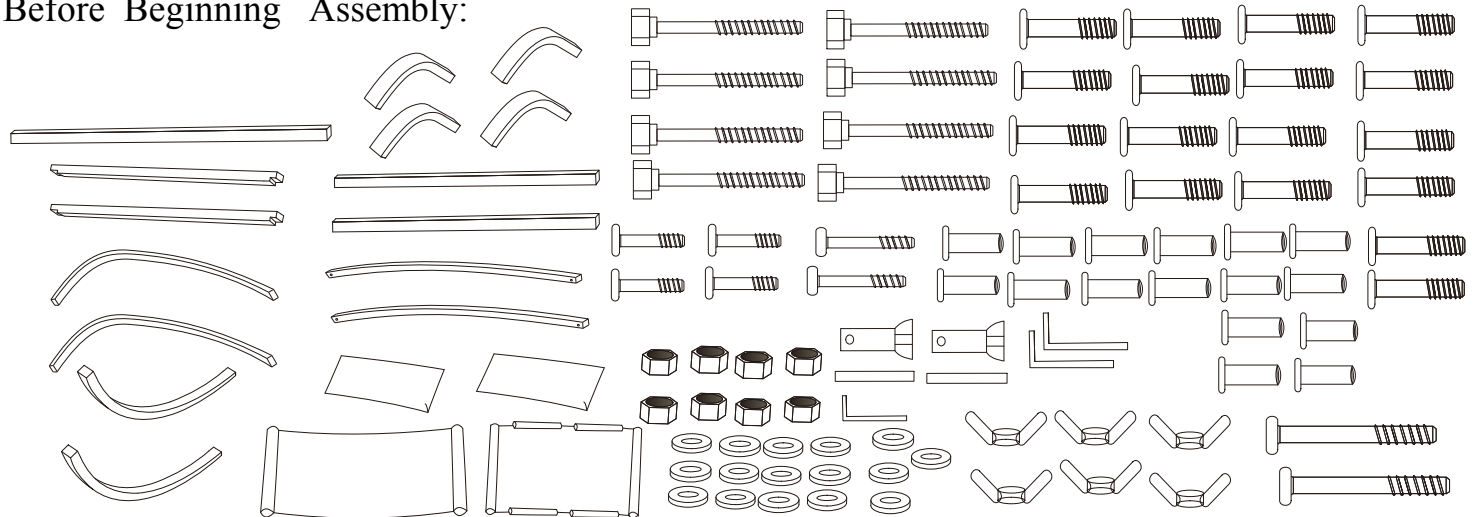
Label	Picture	Description	QTY
L		Canopy Supporting Bar	1
M		Bed Bar	2
N		Bottom Supporting Bar	2
O		Canopy Side Supporting Bar	2
P		Leg	4
Q		Canopy End Bar	2
R		Canopy Arch Bar	2
I		Outdoor Mesh Bed Fabric	1
V		Canopy	1
W		Pillow	2

Hardware

Label	Picture	Description	QTY
A		Bolt(M10×130MM)	8
B		Bolt(M8×90MM)	18
C		Bolt(M6×45MM)	4
D		Tubular Nut	16
E		Nut	8
F		Washer	16
G		Handle	2
H		Wrench	2
J		Allen Key	2
K		Allen Key	1
S		Bolt(M6×65MM)	2
T		Bolt(M8×110MM)	4
U		Nut	6

Assembly Preparation

Before Beginning Assembly:





- Read instructions, cover to cover-



- Have 2 adults on hand for assembly-



- Do not assemble on flooring or carpet-



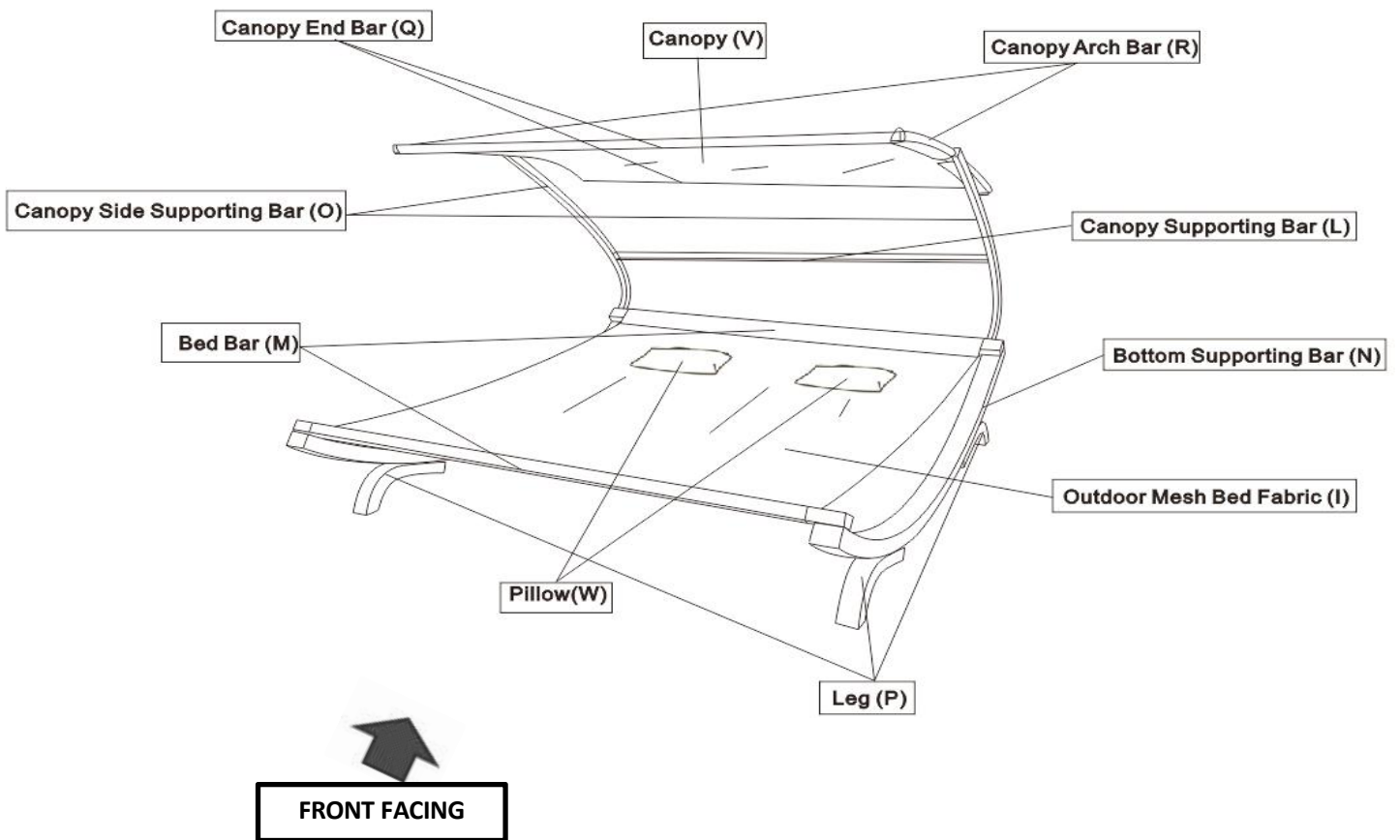
- Assemble on a clean non-marring surface (packing foam)-



- Save all packaging until finished-

Assembly Steps

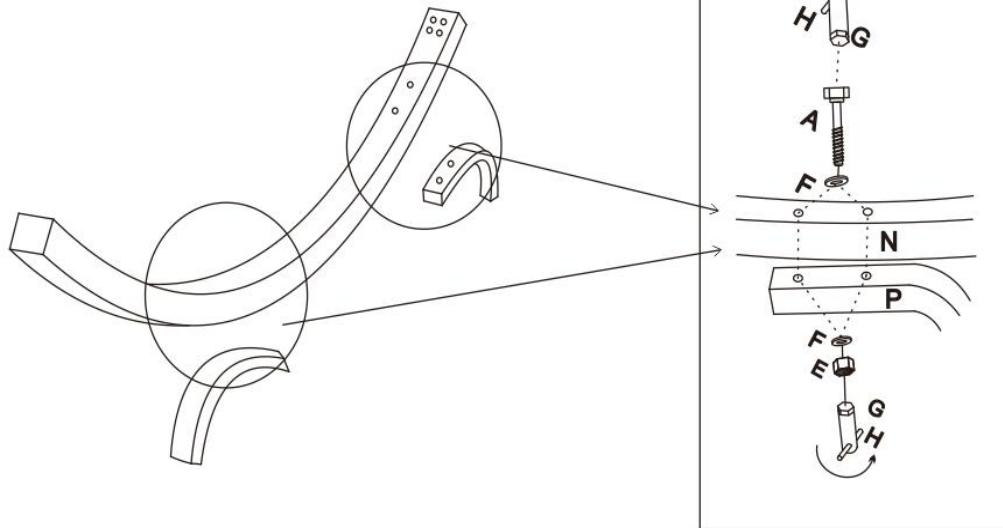
Overview



This Lounger has multiple parts and may require up to 90 minutes to assemble. To give you an overview of the Lounger parts, the above picture is to help you put the various parts into perspective. Please read through the instructions below to familiarise yourself with the parts and steps before assembly.

NOTE: 2 OR 3 PEOPLE ARE RECOMMENDED TO ASSEMBLE THIS Lounger.

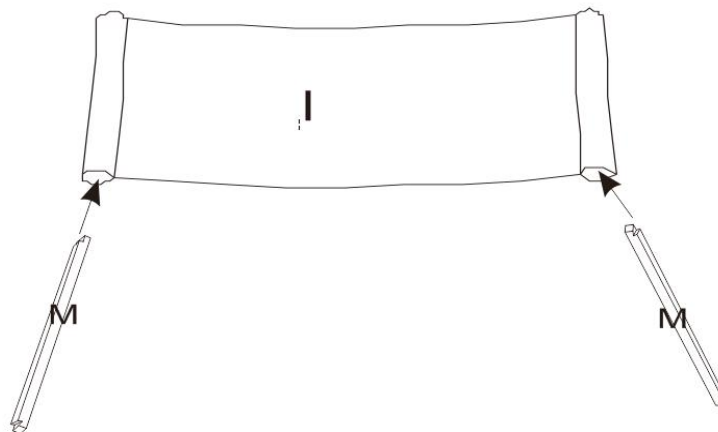
Step 1



Attach Leg(P) to Bottom Supporting Bar(N) using Hardware(A,E,F) with Handle(G) and Wrench(H). Repeat this process with the other Bottom Supporting Bar(N).

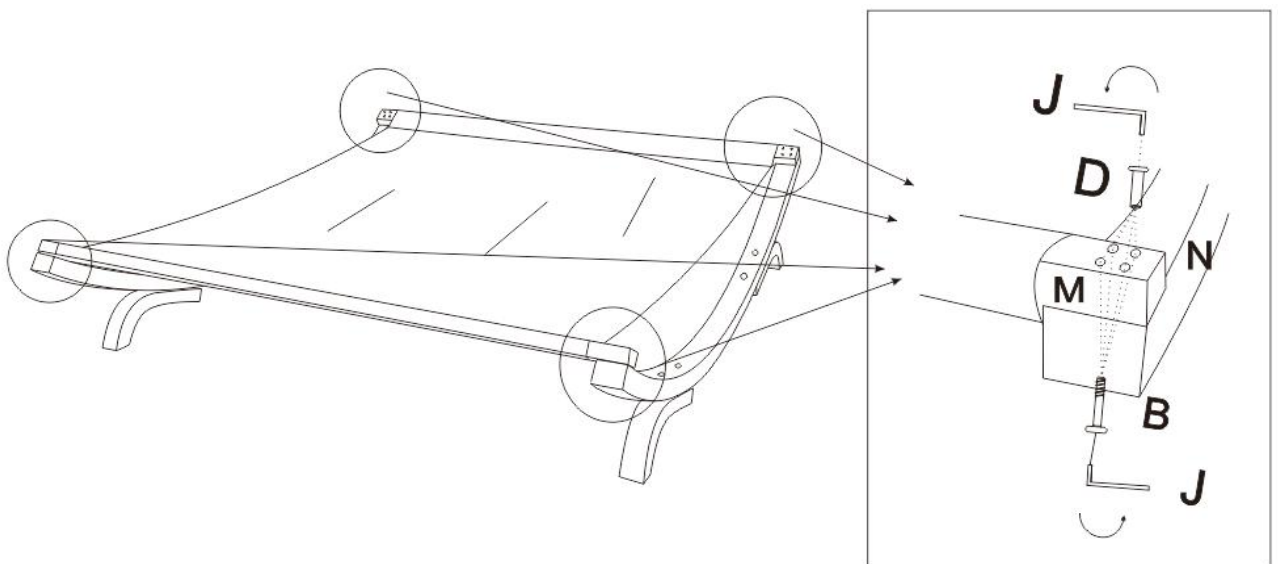
Do not fully tighten Bolts.

Step 2



Insert the two Bed Bar(M) into the two side pockets of Outdoor Mesh Bed Fabric (I)

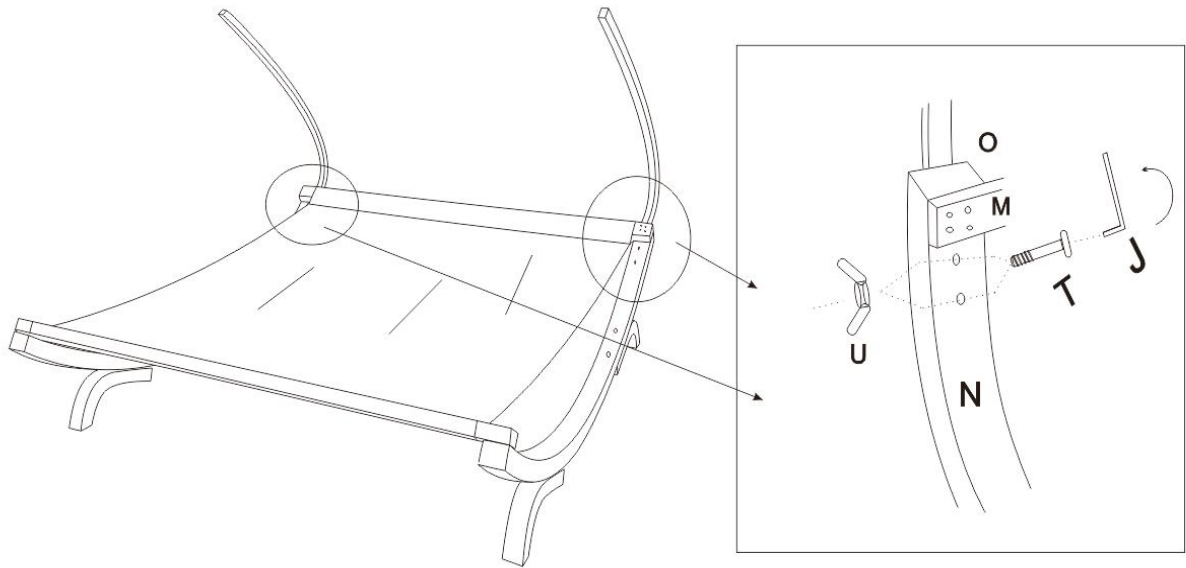
Step 3



Attach Bed Bar(M) to the two Bottom Supporting Bars(N) using Hardware(B,D) with Allen Key(J).

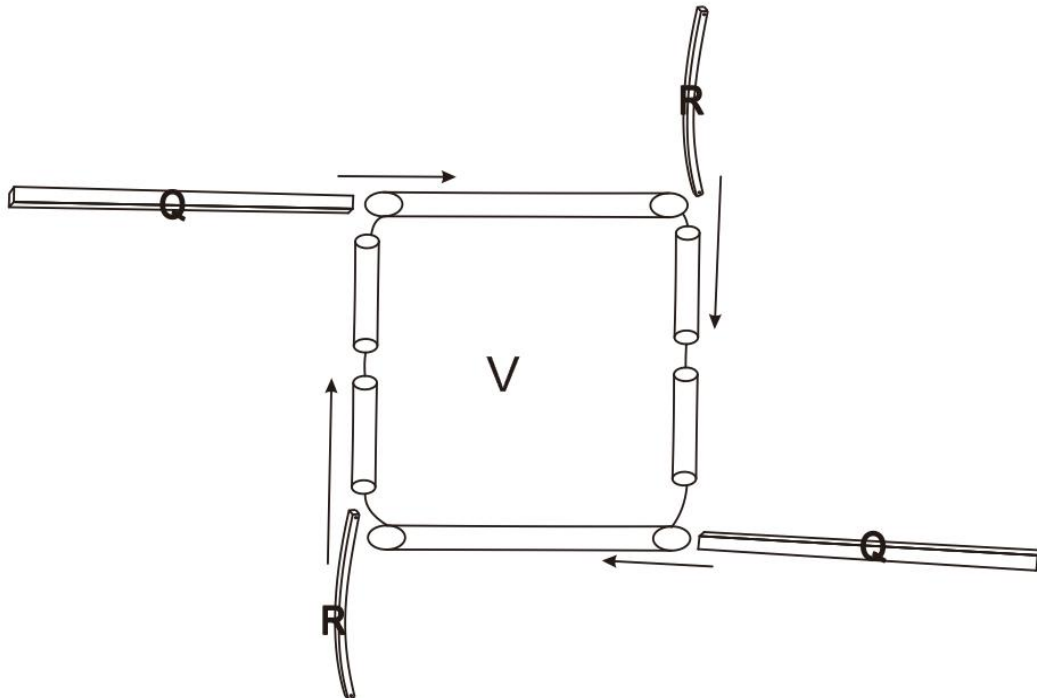
Do not fully tighten Bolts.

Step 4



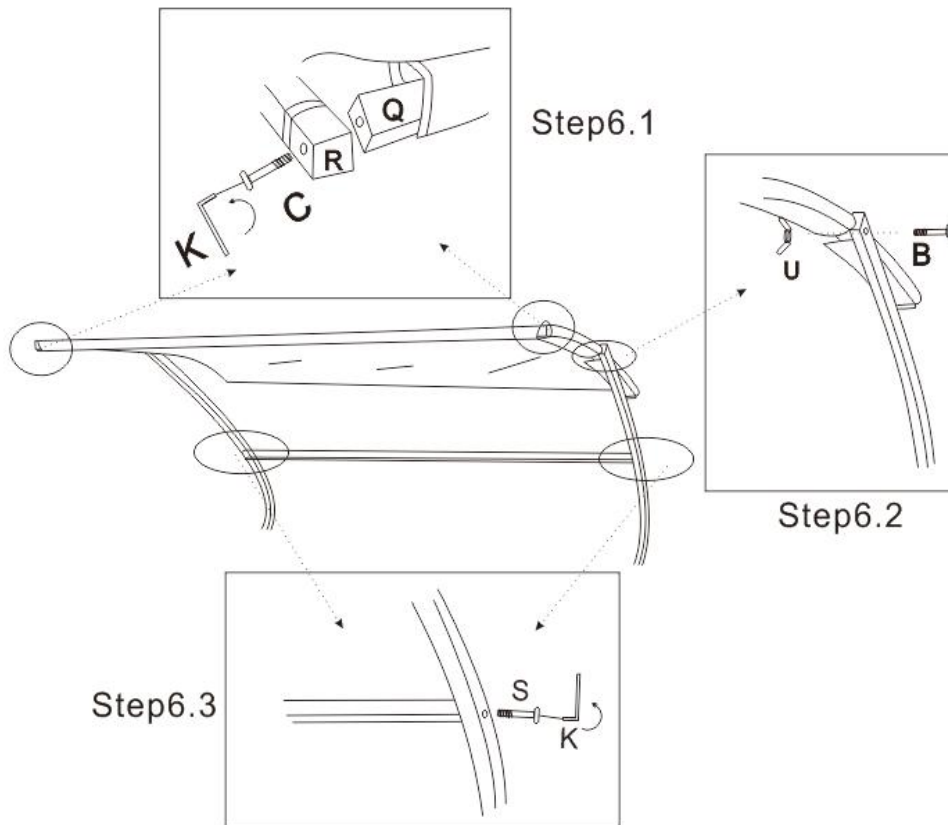
Attach the two Canopy Side Supporting Bars(O) to the Bottom Supporting Bar(N) using Hardware(U,T) .
Do not fully tighten Bolts.

Step 5



Insert two Canopy Arch Bars(Q) and two Canopy End Bars(R) into the Canopy(V)

Step 6



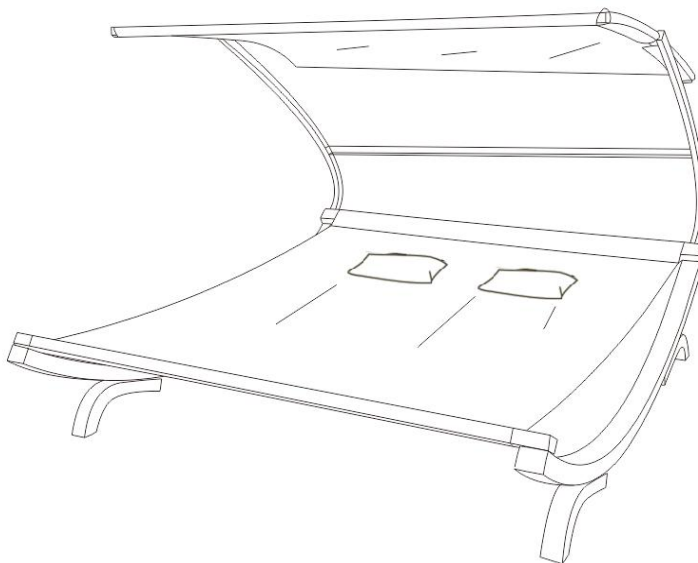
Step 6.1 Attach the Canopy End Bar(Q) to the Canopy Arch Bar(R) using Bolt(C) with Allen Key(K) .

Step 6.2 Attach the Canopy Arch Bar(R) to the Canopy Side Supporting Bar(O) using Bolt(B) and Nut(U) .

Step 6.3 Attach the Canopy Supporting Bar(L) to the Canopy Side Supporting Bar(O) using Bolt(S) with Allen Key(K) .

NOW, proceed to tighten ALL the bolts at ALL joints.

Step 7



Place the two Pillows(W) on the bed.



















Your Sun Lounger is ready for use.

Caution: Please be careful when getting on and off the Lounge.

Children must be supervised at all times when using the Lounge.

It is NOT recommended to get on this Sun Lounger from the FRONT or the BACK.

Care & Maintenance

-   • Do not put hot items directly on furniture surface
 -   • Do not clean furniture with harsh cleansers or polish.
 -   • To obtain the longest lifespan of your outdoor products, minimizing exposure to direct sunlight is recommended.
 -   • Children should not climb or jump on the furniture.
 -   • Do not write on furniture without a padded barrier to protect the surface.
 -   • To obtain the longest lifespan of your outdoor products, avoid extended and lengthy exposure to rain, snow, and direct sunshine. Whenever possible cover the product and /or place under patio or awnings.
 -   • Not for commercial use. For residential use only .
 -   • Stains may be removed with mild soap solution and damp cloth.
-
-   • Dust and pick-up spills using a clean, non-colored, lint-free cloth .

What is Proposition 65?

Proposition 65 is a California law that requires warning labels on products that may contain one of more than 800-plus chemicals or ingredients that the California Office of Environmental Health Hazard Assessment (OEHHA) has deemed to cause cancer or other reproductive toxicity. Chemicals and elements on this list include wood dust, brass, and other everyday substances, which can be found in very common household items, such as: lamps, tableware, jewelry, crystal glasses, electric cords, beauty products, automobiles, and furniture.

Why Did I Find a Proposition 65 Warning on My Home Goods Product?

We include Proposition 65 warnings on all of our products because there is always a chance that one of the 800-plus common chemicals and ingredients listed under this law could potentially be on our furniture or packing materials. We risk large fines under this law, if we don't include this warning.

Should I worry?

We realize you may be worried finding this warning on our products, but we want to reassure you that the hazardous exposure limits for any of these chemicals have never been found on furniture products that we've shipped to our customers. Additionally, this warning label is very common and can be found on almost every piece of furniture sold in the state of California.

Just How Common Are Proposition 65 Warnings?

Proposition 65 warnings have become so common in California that it is hard to take a trip to a local bank, grocery store, or restaurant without finding at least one warning. In fact, even the Disney Land Resort has a Proposition 65 warning:

