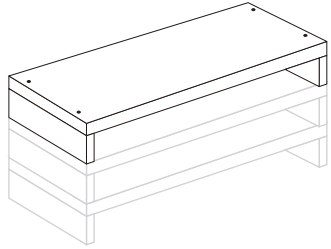


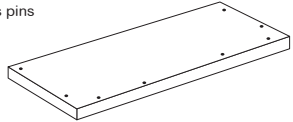
# STACKING DESKTOP SHELF



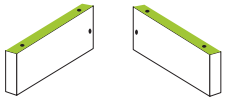
## Included



10 Alignment Pins  
4 connectors pins



1 Horizontal zBoard



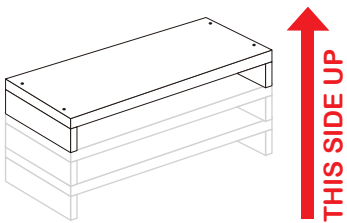
2 Back zBoards



2 Side zBoards

 **WARNING: CHOKING HAZARD**  
Small parts NOT for children under 3 years

## Important

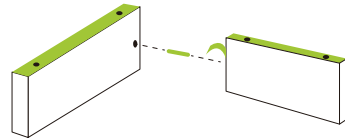


**CAUTION** placing unit on its side or back will compromise structural integrity. Use right side up.

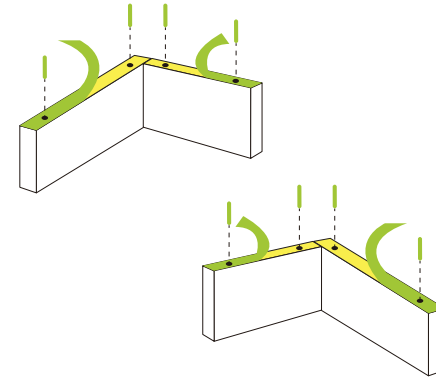


- Assemble your unit on a flat even surface
- Make sure zBoard surfaces are clean and dry

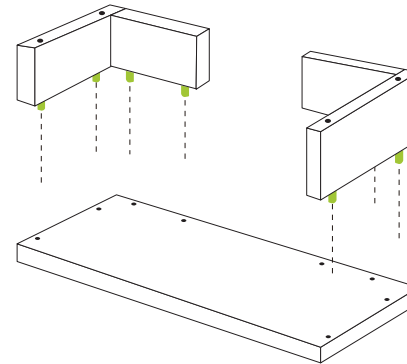
- When moving your Way Basics unit, lift from the bottom
- Indoor use only. Not in bathroom.



**1** Carefully remove the 3M protective layer, insert alignment pin to connect Back and Side zBoards.



**2** Carefully remove the rest of the 3M protective layers. Place alignment pins in Vertical zBoards.



**3** Connect the Horizontal zBoard with the assembled Back and Side zBoards. Enjoy building possibilities!

**Note** Use included decals to cover the connector holes if not stacking shelves.

