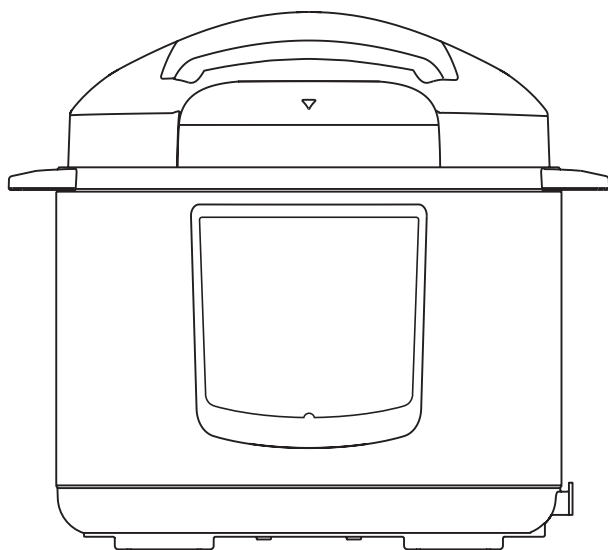




Multicooker

User's Manual



Model MCSMC10S7

**PLEASE READ THIS MANUAL CAREFULLY BEFORE USING YOUR
MULTICOOKER AND KEEP IT FOR FUTURE REFERENCE.**



PRODUCT REGISTRATION

Thank you for purchasing a Magic Chef® product. The first step to protect your new product is to complete the product registration on our website: www.mcappliance.com/register. The benefits of registering your product include the following:

1. Registering your product will allow us to contact you regarding a safety notification or product update.
2. Registering your product will allow for more efficient warranty service processing when warranty service is required.
3. Registering your product could act as your proof of purchase in the event of insurance loss.

Once again, thank you for purchasing a Magic Chef product.

CONTENTS

PRODUCT REGISTRATION	2
PRECAUTIONS	4
IMPORTANT SAFETY INSTRUCTIONS	5
SPECIFICATIONS.....	7
PARTS AND FEATURES	8
ABOUT THE MAGIC CHEF MULTICOOKER	10
BEFORE EACH USE.....	12
OPERATION INSTRUCTIONS.....	13
CARE AND MAINTENANCE.....	23
TROUBLESHOOTING.....	24
LIMITED WARRANTY	26

PRECAUTIONS

EXPLANATION OF SYMBOLS

▲ WARNING

Hazards or unsafe practices which COULD result in severe personal injury or death.

▲ CAUTION

Hazards or unsafe practices which COULD result in minor personal injury.

▲ WARNING: Read and understand all safety precautions. Failure to follow all instructions described in this user manual may result in electric shock, fire and/or serious personal injury. The warnings, cautions and instructions discussed in this user manual cannot cover all possible conditions and situations that may occur.

IMPORTANT SAFETY INSTRUCTIONS

▲ WARNING: When using your Magic Chef Multicooker, basic safety precautions should always be followed.

1. Read all instructions before using the appliance.
2. This product is for household use only. **DO NOT** use outdoors.
3. This unit should **NEVER** be operated by children and extreme caution should be used when children are present.
4. This appliance cooks under pressure. Improper use may result in scalding injury. Be sure unit is properly closed before operating. (Refer to “Cooking Preparation” on page 14).
5. **DO NOT** open the multicooker until the unit has cooled and all internal pressure has been released. If the handle is difficult to slide open, this indicates that the cooker is still pressurized – **DO NOT** force open. Any pressure in the cooker can be hazardous. (Refer to “Cooking Preparation” on page 14).
6. **DO NOT** use multicooker for anything other than its intended use.
7. **DO NOT** place explosive materials in the multicooker.
8. **DO NOT** place unit on or near a hot gas or electric burner.
9. **DO NOT** place unit in a heated oven.
10. **DO NOT** operate the unit on an unstable surface.
11. **DO NOT** operate unit near water or fire.
12. **DO NOT** expose the unit to direct sunlight.
13. **NEVER** operate the unit on flammable materials, such as newspapers or paper plates.
14. **DO NOT** immerse cord or plug in water.
15. Keep cord away from heated surfaces.
16. **DO NOT** let cord hang over the edge of tables or counters.
17. **DO NOT** operate this appliance if it has a damaged cord or plug.
18. Unplug appliance from outlet when not in use, before removing parts, and before cleaning.
19. If any part of the unit is damaged, **DO NOT** use until it has been repaired by a competent service technician.
20. Only authorized personnel should repair the unit to reduce the risk of fire and electric shock.
21. **NEVER** use unauthorized accessories or replacement parts, since they may cause injury.
22. **DO NOT** use any cooking containers in the multicooker that are not heat-proof.
23. Extreme caution should be used when moving the unit containing hot liquids or hot oil.
24. **▲ CAUTION:** to reduce the risk of electrical shock, cook only in the provided removable container (inner cooking pot).
25. **DO NOT** touch hot surfaces. Use handles or knobs.
26. **NEVER** cover the pressure valves.
27. **NEVER** place face near exhaust or float valve.
28. **ALWAYS** use oven mitts when releasing pressure or when opening the lid.
29. Before each use, check the anti-block shield, float valve, and exhaust valve for obstruction and clogging. Wipe the heating plate and inner pot surfaces to ensure they are free from debris. Make sure the exhaust valve is in the correct spot.

30. **NEVER** deep fry or pressure fry in the unit with oil. It is dangerous and may cause a fire or serious damage.
31. The total amount of food and water should **NEVER** exceed the MAX level marked on the inner pot. It is recommended to not fill the unit over $\frac{3}{4}$ full. Some foods such as rice or dried vegetables expand during cooking and should not be filled over the halfway point on the inner pot. Overfilling may cause the vent pipe to clog and develop excess pressure. This could cause spillage and may damage the unit. (Refer to "Cooking Preparation" on page 14).
32. To disconnect, press the Cancel button until the unit turns off and remove the plug from the wall outlet.
33. **DO NOT** move this product or attempt to remove the lid when in operation.
34. **NEVER** place your hands or face over the exhaust/float valves during use as it may cause scalding.
35. After cooking, use extreme caution when opening the lid. **ALWAYS** open the lid away from you to avoid skin contact with any heat or steam. Serious burns can result from steam inside the unit.
36. Once cooking is complete, **DO NOT** touch the inner pot.
37. This appliance can be used by persons with reduced physical, sensory, or mental capabilities, or lack of experience and knowledge if they are under the supervision of a responsible person or have been given proper instruction.

SPECIFICATIONS

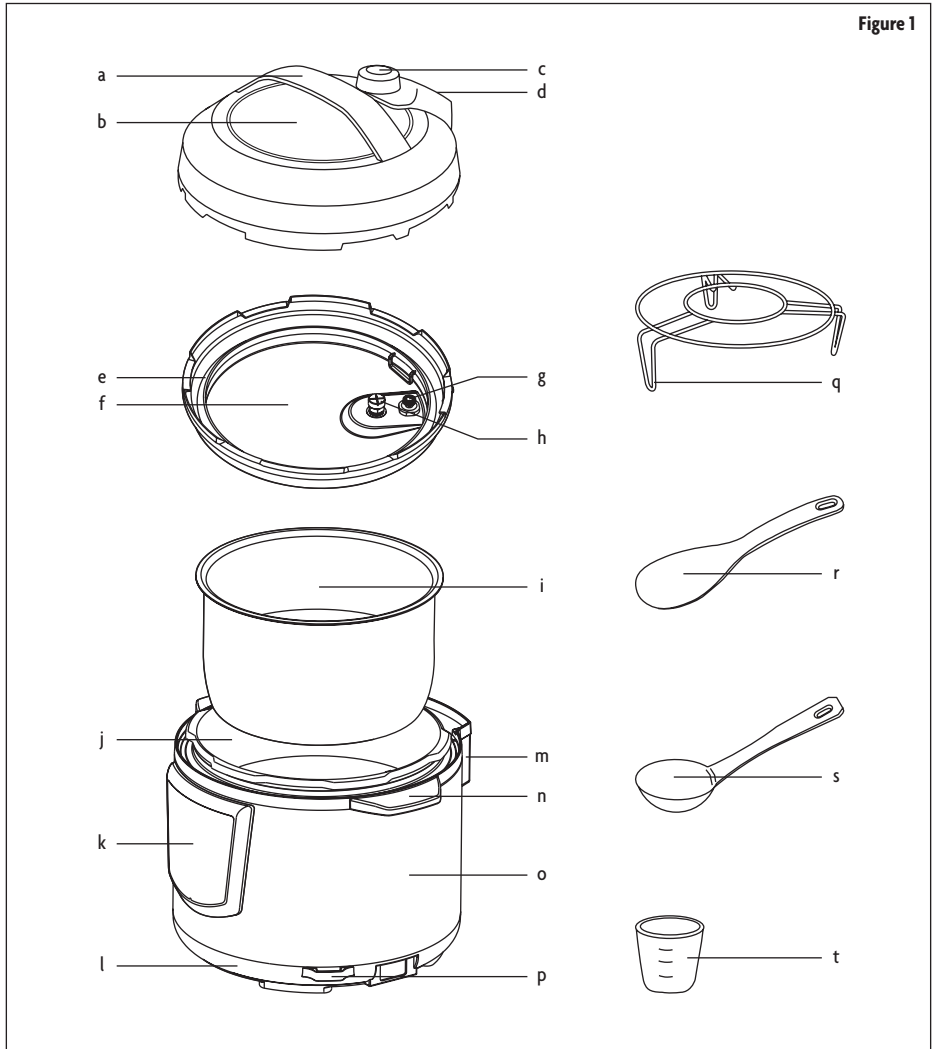


Height	12.8" (325 mm)
Width	13.0" (330 mm)
Depth	12.4" (315 mm)
Caliber of Inner Pot	8.7" (221 mm)
Capacity	6 Quart
Power Supply	120V-60Hz
Rated Power	1000W
Working Pressure	70kPa
Steam Release Pressure Limit	17.4 psi/120kPa

PARTS AND FEATURES

PRODUCT PARTS & ACCESSORIES

Figure 1



- | | | | | | |
|----|----------------------------|----|------------------------|----|----------------------|
| a. | Handle Cover | h. | Anti-Block Shield | o. | Housing |
| b. | Cover | i. | Inner Pot | p. | Rice Paddle Shelf |
| c. | Exhaust Valve | j. | Exterior Pot | q. | Stainless Steel Rack |
| d. | Float Valve | k. | Control Panel | r. | Rice Scoop |
| e. | Gasket | l. | Base | s. | Soup Scoop |
| f. | Inside of Cover | m. | Condensation Collector | t. | Measuring Cup |
| g. | Gasket Ring of Float Valve | n. | Handle | | |

CONTROL PANEL

Figure 2



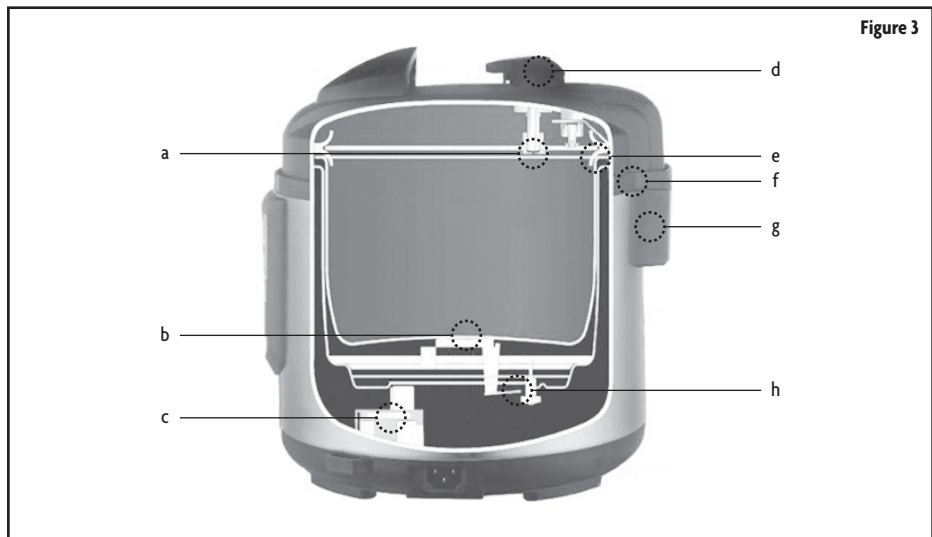
ABOUT THE MAGIC CHEF MULTICOOKER

The Magic Chef Multicooker is a programmable 7-in-1 multicooker that combines the function of a slow cooker, multicooker, sauté, rice cooker, steamer, yogurt maker, and food warmer. Using a multicooker cooks food faster so that it doesn't dry out and has better texture. Cooking with pressure reduces cooking time by up to 70% which saves energy. The Fish and Steam functions use a lower pressure, which avoids overcooking delicate foods. The multicooker is also UL certified.

FEATURES

- 14 cooking methods: Rice, Multigrain, Soup, Meat/Stew, Poultry, Fish, Steam, Beans/Chili, Yogurt, Pasteurize, Porridge, Keep Warm, Slow Cook, and Sear
- Delay the start time of your cooking up to 24 hours so your meal is ready right on time
- Up to 90 minutes of manual cooking time to customize your Magic Chef Multicooker to your favorite recipes
- Once your selected program is completed, the keep warm function automatically starts and will keep food warm for up to 12 hours
- Dishwasher safe stainless steel inner pot and steam rack
- Ability to adjust cooking time of presets

SAFETY FEATURES

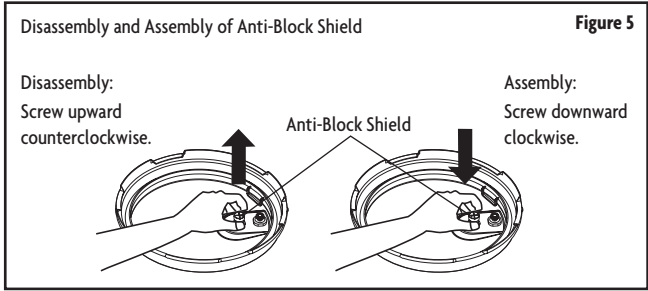
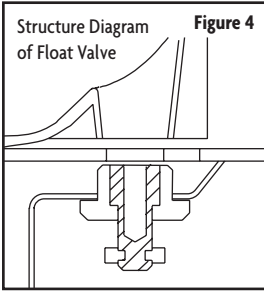


- a. Anti-Block Shield: The Anti-Block Shield is designed to prevent any blockage to the exhaust valve.
- b-1. Temperature Limit Protection: If the temperature of the inside pot is too high, the unit's thermal fuse will automatically turn the unit off.
- b-2. Thermal Limit Protection: When cooking without food, the temperature limiter mechanism will start to turn the power off.

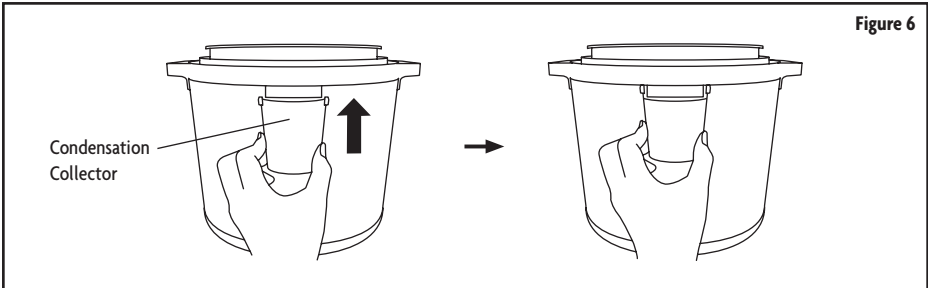
- c. Over Current Protection: Turns off the unit if the current reaches an excessive or dangerous level.
- d. Pressure Limit Protection: Once the pressure is above 110kPa, exhaust valve will automatically release steam to keep the pressure down.
- e. Over Pressure Self Release: If the pressure is abnormally too high, the inner pot will move down to leave a gap between the sealing gasket and pot to release the pressure.
- f. Open and Close Lid Safety Device: If there is pressure inside the cooker, then the lid will be set to the lock position to prevent opening.
- g. Micro Switch for Open Guard: Only when the lid is closed properly, will the pressure begin to generate.
- h. Pressure Control Safety Device: Balances the pressure inside the pot between 60kPa to 80kPa through pressure switch.

BEFORE EACH USE

1. Make sure the float valve (Figure 4), anti-block shield (Figure 5), and gasket are free of obstruction and mounted correctly into place.



2. Before inserting the inner pot to the outer pot, remove debris and water from both.
3. Wipe the outer casing with a soft cloth if it is wet.
4. Install the condensation collector. On the back of the multicooker under the exhaust valve platform, firmly press the condensation collector in place at the top of the base. This is used to collect excess condensation from the lid.



OPERATION INSTRUCTIONS

STATES OF THE MAGIC CHEF MULTICOOKER

- Standby: The cooker is in standby when it is plugged in and the display will show “- - -”.
- Preheat: Preheating occurs when the cooker is warming up to the correct temperature and pressure. This happens after you select your cooking time and before the cooker starts the actual cooking time. Lines on the outside of the display will circle around continuously.
- Operating: Once the preheat time is complete, the Magic Chef Multicooker will begin to cook. The display will show the appropriate cook time.

LID OPENING

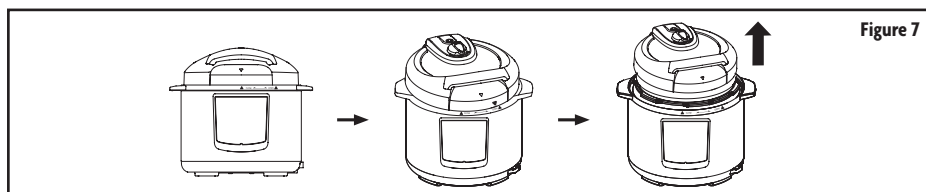
1. Before opening the lid, make sure the multicooker has finished cooking. If the cooking program is still on, then press the “Cancel” button to stop it.

▲ WARNING: DO NOT open the multicooker until the unit has cooled and all internal pressure has been released. If the handle is difficult to slide open, this indicates that the cooker is still pressurized. **DO NOT** force open. Any pressure in the cooker can be hazardous. (Refer to page 14.)

2. There are two ways to release the pressure from the cooker, the Natural Release and the Quick Release.
 - Natural Release: Once cooking is complete, the pressure will release on its own. The natural release time can be anywhere from 10-25 minutes. All the pressure is released once the float valve has fallen. You can then open the lid. Placing a wet towel on the lid can help the multicooker cool down faster.
 - Quick Release: If you want to release the pressure immediately after it is done cooking, then use the quick release option. Once the cooker stops cooking, slide the exhaust valve to “Venting” to release the pressure. All the pressure is released once the float valve has fallen. **DO NOT** use the Quick Release function for foods that have a lot of starch or when a lot of liquid is in the cooker. Use natural release for these foods. Additionally, you can use a combination of Natural Release and Quick Release. This can be helpful if you need the extra cooking time with the Natural Release, but don't want to wait the full time for the pressure to be released.



▲ WARNING:

- **ALWAYS** use oven mitts when releasing pressure or when opening the lid.
 - After cooking, use extreme caution when opening the lid. **ALWAYS** open the lid away from you to avoid skin contact with any heat or steam. Serious burns can result from steam inside the unit.
 - **DO NOT** place face or hands by the holes on top of the exhaust valve. The steam can cause scalding.
 - **DO NOT** try to remove the float valve or exhaust valve when steam is escaping.
3. Place your hand on the handle and turn the lid to the unlock position and lift. Place the exhaust position to “Venting” when opening the lid, regardless of what pressure release option you used.



4. Once the lid is detached, you can hold it above the platform where the condensation collector is. The excess condensation will fall into the collector and not on your food.

COOKING PREPARATION

1. Open the lid cover in a counter clockwise rotation until the arrow on the lid is in line with the arrow on the base. Then lift the cover.
2. Ensure that all the parts on the lid are mounted properly including the float valve, exhaust valve, rubber gasket, and anti-block shield. Check the float valve and exhaust valve for any obstructions. The rubber gasket should be firmly inside its holding rack and the float valve should be able to move up and down easily.
3. Take the stainless steel inner pot out of the base and fill with the food and liquid you want to cook. The total amount of food and liquid should **NEVER** exceed the maximum level marked on the inner pot. It is recommended to not fill the inner pot over $\frac{2}{3}$ full. Some foods that expand when they are cooked like rice, beans, or dried vegetables, should not fill more than $\frac{1}{2}$ of the inner pot. Over filling may cause the vent pipes to clog which develops excess pressure that could lead to spillage, damaging the unit, or personal injury. (Refer to Figure 8.)
4. Remove any foreign objects from the multicooker and wipe the inner pot and inside of the multicooker with a dry cloth. Place the inner pot inside the multicooker and rotate slightly to ensure it has good contact with the heating element. (Refer to Figure 9.)
5. If your desired cooking preset requires, place the lid on the multicooker (see the Preset Guidelines below). Hold the handle and rotate the handle 30° clockwise until it locks into place, making a sound, and aligning the arrows on the lid and base so it is the  position. If the lid is not shut properly, the  symbol will light up under the Magic Chef name. (Refer to Figure 10.)

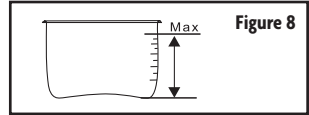


Figure 8

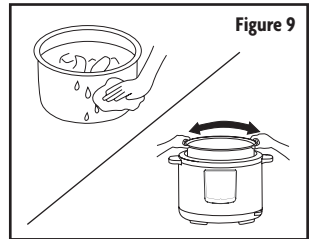


Figure 9

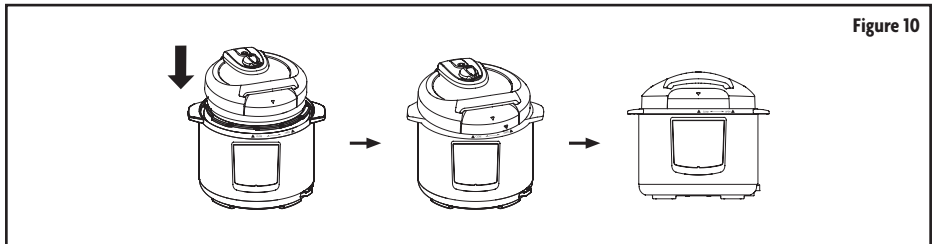


Figure 10

6. For presets requiring a lid, position the exhaust valve in the correct position. When the silver float valve is up, there is pressure inside the cooker. When it is down, there is no pressure inside the cooker. The exhaust valve can be in two positions. The “Sealing” position maintains airtight cooking conditions and is used for most presets. The “Venting” position allows steam to be constantly released. This position can also be used for a quick release to allow the pressure to escape immediately, which can be helpful once cooking is complete so you don’t have to wait for the pressure to release. See below for information on the exhaust valve position. (Refer to Figure 11 and 12.)

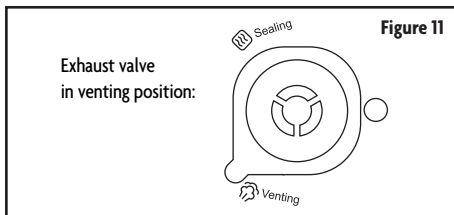


Figure 11

Exhaust valve
in venting position:

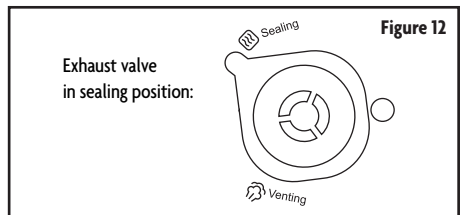


Figure 12

Exhaust valve
in sealing position:

PRESET GUIDELINES

Preset	Time (minutes)			Lid	Exhaust Valve Position	Temperature (°F)
	Less	Normal	More			
Soup	20	30	40	Yes	Sealing	239
Poultry	10	20	30	Yes	Sealing	239
Meat/Stew	25	35	45	Yes	Sealing	239
Bean/Chili	30	35	40	Yes	Sealing	239
Sear	-	30	-	No	N/A	320
Rice	-	14 - 18	-	Yes	Sealing	239
Multigrain	20	35	50	Yes	Sealing	239
Fish	3	5	8	Yes	Sealing	239
Porridge	10	20	30	Yes	Sealing	239
Steam	5	15	25	Yes	Sealing	239
Yogurt	Adjustable Range: 4 - 8 hours			Yes	Sealing	107
Slow Cook	Adjustable Range: 2 - 12 hours			Optional	Sealing/Venting	203
Keep Warm	Adjustable Range: 2 - 12 hours			Optional	Sealing/Venting	158
Manual	Adjustable Range: 0 - 90 minutes			Yes	Sealing	239

PRESSURE COOKING

Pressure cooking is used for the Rice, Multigrain, Soup, Meat/Stew, Poultry, Fish, Steam, Beans/Chili, Porridge, and Manual presets.

▲ WARNING: Please see all important safety instructions on page 5-6 prior to utilizing the unit.

1. Finish the “Cooking Preparation” according to page 14 of this manual.
2. Plug the Magic Chef Multicooker in. It will make one beep and the display will read “- - -”, which means the multicooker is in a standby state.
3. Select a cooking function. Once the button is pressed, the light above your selection will light up.
 - If you want to select another function, you have 10 seconds to do so.
4. Once the function key is selected, choose the cooking time. See below for Manual instructions. The Magic Chef Multicooker automatically defaults to “Normal” cooking time. To change:
 - Click the “Adjust” button to switch between designated Normal, Less, and More cooking time, which is indicated on the control panel. For the Rice function, you cannot change the time because it automatically adjusts for the content inside.
 - Manual Time Selection: To select the time for Manual, press the “-” or “+” buttons to select the time. The maximum time you can select is 90 minutes.
5. After 10 seconds, there will be 3 beeps which indicate the program has started. Alternatively, you can press the “Start” button to begin cooking immediately.
 - The display will show lines circling around the outside of the display and the multicooker will begin to preheat. During this time, it is normal for some steam to come out through the float valve until it rises up. Preheating times range.

- When the multicooker reaches the working pressure, the display panel will show the programmed cooking time, which counts down. There should be no steam coming out of the lid. There may be some steam coming out from the exhaust valve and some spurts of water, which is normal.
 - There also may be soft clicking sounds which are from the unit switching the heating element on and off.
 - If you want to cancel the cooking program, press the “Cancel” button.
6. Once the cooking cycle is finished, the multicooker will beep and automatically go into the Keep Warm state. The display will read “L0:00”. It will then begin to count up to a maximum of 12 hours. If the Keep Warm cycle reaches 12 hours, it will turn off and go into standby state.
 - It is not recommended to keep anything in the Keep Warm state for more than 8 hours.
 7. To end the Keep Warm state, press “Cancel”. Follow the Lid Opening instructions.

SLOW COOKING

1. Finish the “Cooking Preparation” according to page 14 of this manual. The lid is optional for slow cooking.
2. Plug the Magic Chef Multicooker in. It will make one beep and the display will read “- - -”, which means the multicooker is in a standby state.
3. Press the “Slow Cook” button.
4. If you want to change the cooking time, press the “- or +” buttons. Press the “Hours/Minutes” button to switch between the hours and minutes. Time will change in 10 minute intervals and range from 2 hours to 12 hours and 50 minutes.
5. Cooking will automatically start 10 seconds after the last button is pressed or you can press the “Start” button to immediately begin cooking.
6. Once the cooking cycle is finished, the multicooker will beep and automatically go into the Keep Warm state. The display will read “L0:00”. It will then begin to count up to a maximum of 12 hours. If the Keep Warm cycle reaches 12 hours, it will go into standby state.
 - It is not recommended to keep anything in the Keep Warm state for more than 8 hours.
7. To end the Keep Warm state, press “Cancel”. Follow the Lid Opening Instructions.

DELAYED COOKING

The Magic Chef Multicooker has a timer function which delays the cooking start time. It can delay a minimum of 10 minutes and a maximum of 24 hours. The time you set will be the time until the unit STARTS cooking, you must factor in the time it takes to cook and time for the pressure to release so that your food is ready on time. You cannot use the delay timer with the Keep Warm, Yogurt, Slow Cook or Sear functions. To program the delayed timer, use the following directions.

1. Finish the “Cooking Preparation” according to page 14 of this manual.
2. Within 10 seconds after selecting your program, press the “Delay” button. Use the - and + buttons to switch the time. Press the “Hours/Minutes” button to switch between setting the hours and minutes of the timer.
3. 10 seconds after the last key is pressed, the delay timer will begin or you can press the “Start” button to begin immediately. The time on the display panel counts down and the light above “Delay” will be lit up.
4. To cancel the Delay Timer function, press the “Cancel” button at any time.
5. The Magic Chef Multicooker will begin cooking once the time reaches 0:00. Once cooking is complete, the cooker will go into the Keep Warm state.

- It is not recommended to use the Delay Timer function for perishable foods like meat, poultry, and fish, as they may go bad when left at room temperature for a long time.
- It is not recommended to use the Delay Timer for rice. Rice may be excessively soft due to soaking in the water for a long time.
- It is not recommended for porridge, oatmeal, and other foamy or sticky foods. The food may can block the float valve and cause it to remain open which leads to food overflowing.

SEAR

1. Finish the “Cooking Preparation” according to page 14 of this manual but **DO NOT** put the lid on.
2. Plug the Magic Chef Multicooker in. It will make one beep and the display will show “- - -”, which means the multicooker is in a standby state.
3. Press the “Sear” button. The longest time you are able to sear is 30 minutes.
4. After 10 seconds, the cook time will begin or you can press “Start”. The time will begin to countdown once the program starts.
5. When cooking is finished, the cooker will beep and go into the Keep Warm state. The display will read “LO:00”. It will then begin to count up to a maximum of 12 hours. If the Keep Warm cycle reaches 12 hours, it will go into standby state.
 - It is not recommended to keep anything in the Keep Warm state for more than 8 hours.
 - If additional searing time is needed, you can press the “Cancel” button and then press the “Sear” button again.
6. To end the Keep Warm state, press “Cancel”.

KEEP WARM

Automatic Keep Warm

- The Keep Warm function starts automatically once cooking is complete except for the Yogurt preset.
- The maximum time is 12 hours. It is not recommended to go over 8 hours as the texture of the food may change.
- Cooks at a temperature of 158°F.
- Display will read “LO:00” and will count up showing how long it has been on Keep Warm.
- Once the maximum time is reached, the Magic Chef Multicooker will go into Standby mode.

Manual Keep Warm

- The Keep Warm function can also be used on its own by simply pressing the “Keep Warm” button.
- Then select the time you want to use the function. This can range from 2 hours to 12 hours and 50 minutes. It is not recommended to go beyond 8 hours as the texture of the food may change.
- Cooks at a temperature of 158°F.
- The display will show your selected time and will count down.
- Once the maximum time is reached, the Magic Chef Multicooker will go into Standby mode.

YOGURT

You can make yogurt in your Magic Chef Multicooker by using glass bottles. Make sure they are heat-proof. There are two steps involved to make yogurt. The first step is to pasteurize the milk by heating it to 180°F which sanitizes the milk and kills pathogens and bacteria. The second step is to let it cool to 115°F, add the yogurt starter, and then press the yogurt button to actually make the yogurt.

1. Finish the “Cooking Preparation” according to page 14 of this manual.
2. Pour 1 cup of water in the inner pot and place metal rack inside.
3. Pour milk in your glass containers leaving some room to add the yogurt starter later on. Then place your glass containers on the metal rack.
4. Close the lid and turn the exhaust valve to “Sealing”.
5. Press the “Manual” button and then press the “-” button to change the time to 1 minute. Press the “Start” button or wait 10 seconds to begin cooking. This will boil the milk to 180°F.
6. Lines on the outside of the display will circle indicating it is preheating. Once the preheat time is complete, it will show the 1 minute of cook time. Use the natural steam release method.
7. Allow the milk to cool to below 115°F.
8. Add the yogurt starter or fresh yogurt to the milk and stir. Place the containers back into the inner pot on the metal rack.
9. Put the lid on and turn the exhaust valve to “Sealing”. Press the “Yogurt” button and use the “-” and “+” buttons to select the correct time according to your recipe or yogurt starter.
10. Press “Start” or wait 10 seconds for the program to begin automatically.
11. When the program is complete, it will beep and then go into standby state.

TEST RUN

Doing a test run is a good way for you to get familiar with you Magic Chef Multicooker. This only takes about 15 minutes and can clean the unit of any residue. This is not necessary but is recommended.

▲ WARNING: Please see all important safety instructions on page 5-6 prior to utilizing the unit.

1. Follow the “Cooking Preparation” steps on page 14.
2. Before closing the lid, pour 3 cups of water into the inner pot and then shut the lid. Position the exhaust valve to the “Sealing” position.
3. Press the “Steam” button and then press the “Adjust” button until the light above “less” is lit up.
4. In 10 seconds the multicooker will begin to cook or you can press the “Start” button to begin cooking immediately.
5. The Magic Chef Multicooker will begin the preheating cycle. It is normal for steam to come out during this time. The float valve will rise up and seal the cooker. Once the working pressure is reached, the steaming time will begin to count down.
6. When the program is complete, the unit will beep and then begin the “Keep Warm” mode. The timer will display “L0:00” and will count up showing how long it has been in “Keep Warm”.
7. To stop the “Keep Warm” mode, press the “Cancel” button. You can use the Natural Release or the Quick Release to release the pressure.

TIME ADJUSTMENTS FOR HIGH ALTITUDE

The Magic Chef Multicooker uses pressure to cook, which adds pressure to the current atmospheric pressure. Since different altitudes have different pressures, places with higher altitudes will have to increase the cooking time. The chart to the right can be used as a guideline to adjust for the different altitudes.

Feet above Sea Level	Percentage of Time to Increase By
2,000 feet	5%
3,000 feet	10%
4,000 feet	15%
5,000 feet	20%
6,000 feet	25%
7,000 feet	30%
8,000 feet	35%
9,000 feet	40%
10,000 feet	45%

COOK TIME GUIDELINES

Knowing how long to cook food, how much liquid to add, what steam release method to use, etc. can be confusing at first. These cooking guidelines are just a reference but they can help you get used to your multicooker. If you are using a recipe, follow the instructions for their recommended cooking time, as different ingredients in the recipe may affect the cooking time. Also, regardless of what you are cooking, there has to be some sort of liquid in the multicooker. If you are cooking food that is frozen, allow excess time to cook.

RICE, MULTIGRAIN, & PORRIDGE

You should use the natural release option for the rice, multigrain, and porridge functions so foam doesn't get into the valve. Also, **NEVER** fill the multicooker up more than halfway when cooking rice, grains, or other food that expands in size. To prevent the froth that these foods create, add a little cooking oil, butter, or fat (1-2 tablespoons) to help keep the starch down so it doesn't foam. Some rice and grains require you to rinse them before cooking so make sure to look at the directions before cooking.

The rice program is fully automated for cooking rice. The cook time will range between 14 and 18 minutes because it automatically adjusts the time depending on how much you are cooking. Only the pressure keeping time will be shown once the pressure is reached. The total cooking time will not be shown, so you have to factor in the preheat time and steam release time.

The multigrain function is used for cooking various grains and is best for harder grains. The porridge function is used for making grains, cereal, or legume boiled in water, broth, or milk. Oatmeal and congee are a couple types of porridge you can make using this function.

Rice	Liquid Amount (Cups) for 1 Cup of Rice	Time (minutes)
Arborio rice (risotto)	2	5
Basmati rice	1 ½	4
Couscous	2	5 - 8
Jasmine rice	1	4
Kamut, whole	3	10
Millet	1 ¾	10
Quinoa	2	6
White rice	1 ½	8

Multigrain	Liquid Amount (Cups) for 1 Cup of Rice	Time (minutes)
Barley, pearl	4	25
Barley, pot	3	25
Brown rice	2	35
Spelt berries	3	15
Wheat berries	3	35
Wild rice	3	25

Porridge	Liquid Amount (Cups) for 1 Cup of Rice	Time (minutes)
Congee, thick consistency	4 - 5	15 - 20
Congee, thin consistency	6 - 7	15 - 20
Oats, quick cooking	1 ½	6
Oats, steel-cut	1 ½	10
Polenta, coarse	4	8
Polenta, fine	3	5
Porridge	6	15

SOUP

When cooking creamy soups, thicken the soups after the pressure cooking is finished. If you add it before, there is very little liquid that can evaporate and the cooker will not reach pressure. To save time, you can make the roux separately and add it in once the soup is done cooking. It is also best to add milk, cheese, and cream once the soup is done cooking because they can scorch or curdle in the multicooker. Once the soup is done cooking, wait 10 minutes then do a quick release.

Soup	Time (minutes)
Baked potato (creamy)	4
Butternut squash	10 - 15
Chicken enchilada	5
Chicken noodle	5 - 8
Chicken soup (broth based)	8
Cream of chicken and wild rice	5
Lentil	8
Minestrone	4
New England clam chowder	5
Tomato basil (creamy)	5 - 8

MEAT/STEW & POULTRY

When cooking meat and poultry, it is important not to add too much liquid to the multicooker unless you are braising. This can cause the meat to lose flavor, texture, and nutrients. Add about 1 cup of liquid when you are cooking meat for 45 minutes or less and about 1 ½ cups of liquid if you are cooking longer. To add even more flavor, brown your meat in the Sear function before cooking it. It is usually best to use the Natural Release method.

Beef	Time (minutes)
Meat Balls	10 - 15
Oxtail	40 - 50
Ribs	25 - 30
Shanks	25 - 30
Steak, rump, pot roast, round, chuck, blade, brisket	Large: 35 - 40 Small: 25 - 30
Stew Meat	15 - 20

Poultry	Time (minutes)
Breast, boneless	5 - 8
Chicken strips	5 - 8
Chicken, bone in	8 - 10
Chicken, whole	20 - 25
Ground chicken	5 - 10
Turkey, breast	20
Turkey, legs	25 - 30
Turkey, whole	25 - 30

Pork	Time (minutes)
Pork, belly	40
Pork, chops	8
Pork, loin roast	55 - 60
Pork, ribs	20 - 25
Pork, roast	30
Pork, sausage	8
Pork, shoulder	45 - 50

Lamb	Time (minutes)
Lamb, chops	7
Lamb, ground	12
Lamb, roast	20
Lamb, shoulder	25
Lamb, stew	10 - 15

FISH

Seafood cooks relatively fast. Because of this, it is usually best to use the quick release steam method right when the cooking program is complete. Since the Fish preset utilizes steam, use the metal rack that comes with the Magic Chef Multicooker. You can place the fish right on the rack or in an ovenproof or steel bowl on the rack.

Seafood	Time (minutes)
Calamari	20
Clams	6
Cod	3
Crab	3
Fish fillet	3

Seafood	Time (minutes)
Fish steak	4
Haddock	7
Halibut	7
Lobster	3
Mussels	2

Seafood	Time (minutes)
Oysters	6
Salmon	6
Scallop	1
Seafood soup or stock	6 - 7
Shrimp	2

STEAM

The steam function works well for steaming vegetables and fruits because it keeps the nutrients in the food and creates the best texture. If you are cooking food that is frozen, cook for 1-2 minutes longer. Use the metal rack when steaming vegetables or fruits. You can also place an ovenproof or steel bowl on the rack. If you are cooking dried fruit, allow 1-2 more minutes of cooking time.

Fruits	Time (minutes)
Apples, slices	2 - 3
Apples, whole	3 - 4
Apricots	3 - 4
Blueberries	6
Cherries	2

Fruits	Time (minutes)
Cranberries	8
Orange, wedges	15
Peaches	3 - 4
Pears, slices	2 - 3
Pears, whole	3 - 4

Fruits	Time (minutes)
Plums	5
Prunes	2 - 3
Raisins	4 - 5
Strawberries	1

Vegetables	Time (minutes)
Artichoke, whole, trimmed (small, med, large)	5, 8, 11
Artichoke, hearts	4
Asparagus	1
Beet, cubed	4
Beet, whole (small, med, large)	10, 15, 20

Vegetables	Time (minutes)
Leeks	3
Mushrooms, fresh	5
Mushrooms, dry	10
Mixed vegetables	2 - 3
Okra	2 - 3

Broccoli	3 - 5
Brussel sprouts	3 - 4
Cabbage	3
Carrots, sliced	1 - 2
Carrots, whole	3 - 4
Cauliflower, florets	2 - 3
Celery	2 - 3
Collards	3 - 4
Corn, kernels	1
Corn, on the cob	4
Eggplant	2 - 3
Escarole	1 - 2
Green beans	2 - 3
Kale	1

Onions	3
Parsnips	2 - 3
Peas	2 - 3
Peppers, bell	3 - 4
Potatoes, baby	5 - 6
Potatoes, quartered	5
Potatoes, sweet	15
Potatoes, whole (small, med, large)	10, 12, 15
Spinach	1
Squash, acorn	7
Squash, butternut	6
Squash, spaghetti	3 - 4
Tomato, slices	3
Zucchini	2 - 3

BEANS/CHILI

When cooking beans, make sure you pick over the beans, rinse and drain them. Dry beans can be soaked overnight to speed up the cooking process. Because beans expand when cooking, **NEVER** fill the inner pot more than halfway up to allow room for expansion. Add in about 1 tablespoon of oil to prevent them from foaming up and clogging the pressure valve. It is best to use the natural release. If the beans aren't cooked when the cooking program is finished, you can either turn the Sear function on without the lid and finish cooking them or cook them under pressure for another 3 - 5 minutes.

Beans and Legume	Dry Cooking Time (minutes)	Soaked Cooking Time (minutes)
Adzuki	20 - 25	10 - 15
Anasazi	20 - 25	10 - 15
Black beans	20 - 25	10 - 15
Black-eyed peas	20 - 25	10 - 15
Cannellini	30 - 35	15 - 20
Chickpeas	35 - 40	20 - 25
Fava, dried	30	12
Fava, fresh	8	N/A
Kidney beans, red	25 - 30	20 - 25

Beans and Legume	Dry Cooking Time (minutes)	Soaked Cooking Time (minutes)
Kidney beans, white	35 - 40	20 - 25
Lima beans	20 - 25	10 - 15
Lentils, French green, green, mini	15	N/A
Lentils, split red, orange, yellow	15	N/A
Navy beans	20 - 25	15 - 20
Peas	18	10
Pinto beans	25	10
Soy beans	20 - 25	15 - 20

CARE AND MAINTENANCE

Regular care and maintenance is essential in ensuring that this product is safe for use. Remove any dust or dirt on the plug or socket by using a dry brush. If any of the following circumstances take place, stop use immediately and contact Magic Chef Customer Service.

- Power cord and/or plug suffer from expansion, deformation, discoloration, damages, etc.
- A portion of the power cord and the plug are hotter than usual
- Multicooker heats abnormally, emitting a burnt smell
- When the unit is on, there is an unusual sound or shock

CLEANING


▲ CAUTION: DO NOT clean the Magic Chef Multicooker when it is plugged in or hot. **DO NOT** immerse the cooker base in water.

- Remove lid, condensation collector, and inner pot from the base. To clean, use detergent and wipe dry once washed. The stainless steel inner pot can be washed in the dishwasher.
- Wipe the entire base, housing unit, and exterior pot dry with a cloth.
 - For the lid, make sure you clean the gasket, exhaust valve, anti-block shield, and float valve. **DO NOT** disassemble the exhaust valve pipe.

TROUBLESHOOTING

COMMON PROBLEMS AND SOLUTIONS

Review the following chart if you are experiencing a minor or common issue. This may alleviate the need to call a serviceperson.

Problem	Possible Reason	Solution
Difficulty closing lid	Gasket is not installed properly.	Make sure rubber gasket is behind the ring and firmly pressed down.
	Float valve is positioned up.	Lightly press the float valve down.
Difficulty opening lid	Float valve fails to fall after steam releases.	Lightly press the float valve down with a long utensil like chopsticks.
	Pressure is inside the cooker.	Use the quick release method and position the exhaust valve to “Venting” and allow the pressure to escape. You will be able to open the lid once the pressure is released.
Steam escapes from the bottom of the lid.	No gasket.	Install the gasket.
	Food fragments attached to gasket.	Clean the gasket.
	Gasket damaged.	Replace the gasket.
	Lid not closed properly.	Open the lid and close it properly.
Steam escapes from float valve for more than 2 minutes.	Food fragments attached to float valve.	Clean the float valve.
	Float valve is worn.	Replace the float valve.
Float valve does not rise.	Not enough food or liquid in the inner pot.	Add additional liquid according to the recipe.
	Lid locking pin obstructs float valve.	Make sure the lid is closed properly. Refer to page 14.
Steam is constantly releasing from the exhaust valve.	Exhaust valve is in the “Venting” position.	Turn the exhaust valve to “Sealing”.
	Pressure control fails.	Contact customer service.
Display light is not bright.	Bad contact with socket.	Contact customer service.
C1 appears on display.	Sensor fails.	Contact customer service.
C2 appears on display.		
C5 appears on display.	Temperature is too high because there is no water inside the inner pot.	Add water as required.
	Temperature is too high because the inner pot isn't placed in properly.	Place the pot in properly.
C6 appears on display.	Pressure switch fails.	Contact customer service.
 symbol is lit up.	The lid is not closed properly.	Close the lid properly. Refer to page 14.

Display shows “noPr”.	Working pressure was not reached during the preheating stage.	If steam is leaking from the lid, see problem 3, 4, 5, and 6. If steam is not leaking from the lid and you are cooking frozen food, run the current program again.
Display shows “Ovht”.	Overheating was sensed in the inner pot.	Cancel the current program and see if the food at the bottom of the pot is burned.
Display is blank after the cooker is plugged in.	No power connection or bad power source.	Examine the power cord to make sure the cord isn't damaged. Check the outlet to make sure it is active.
	Multicooker electrical fuse is blown	Contact customer service.
Rice is only half cooked or is too hard.	Not enough water added.	Add more water according to the proper rice to water ratio.
	Lid opened early.	Once cooking is finished leave the lid on for 5 minutes.
Rice is too soft.	Too much water added.	Adjust rice to water ratio according to rice directions.
Sporadic beeping when the multicooker is cooking.	Multicooker is overheating and has reduced the heating temperature. It may not reach the cooking pressure needed.	Starch or other food has accumulated at the bottom of the inner pot and have clogged heat from dispersing.
Occasional ticking sound.	The heating element turning on and off	This is normal.
	Bottom of the inner pot on the outside is wet.	Make sure the inner pot is dry before cooking.



LIMITED WARRANTY

MC Appliance Corporation warrants each new Multicooker to be free from defects in material and workmanship, and agrees to remedy any such defect or to furnish a new part(s), at the company's option, for any part(s) of the unit that has failed during the warranty period. Parts and labor expenses are covered on this unit for a period of one year from the date of purchase. A copy of the dated sales receipt/invoice is required to receive warranty service, replacement or refund.

This warranty covers appliances in use within the contiguous United States, Alaska, Hawaii and Puerto Rico. This warranty does not cover the following:

- Damages due to shipping damage or improper installation.
- Damages due to misuse or abuse.
- Content losses due to failure of the unit.
- Repairs performed by unauthorized service agents.
- Service calls that do not involve defects in material and workmanship such as instructions on proper use of the product or improper installation.
- Replacement or resetting of house fuses or circuit breakers.
- Failure of this product if used for other purposes than its intended purpose.
- Disposal costs for any failed unit not returned to our factory.
- Any delivery/installation costs incurred as the result of a unit that fails to perform as specified.
- Expenses for travel and transportation for product service if your appliance is located in a remote area where service by an authorized service technician is not available.
- The removal and reinstallation of your appliance if it is installed in an inaccessible location or is not installed in accordance with published installation instructions.
- Refunds for non repairable products are limited to the price paid for the unit per the sales receipt.
- This warranty is non transferable. This warranty applies only to the original purchaser and does not extend to any subsequent owner(s).

Limitations of Remedies and Exclusions:

Product repair in accordance with the terms herein, is your sole and exclusive remedy under this limited warranty. Any and all implied warranties including merchantability and fitness for a particular purpose are hereby limited to one year or the shortest period allowed by law. MC Appliance Corporation is not liable for incidental or consequential damages and no representative or person is authorized to assume for us any other liability in connection with the sale of this product. Under no circumstances is the consumer permitted to return this unit to the factory without the prior written consent of MC Appliance Corporation.

Some states prohibit the exclusion or limitation of incidental or consequential damages, or limitations on implied warranties. This warranty gives you specific legal rights, and you may also have other rights which vary from state to state.

Model	Parts	Labor	Type of Service
MCSMC1057	One Year	One Year	Carry In

For Service or Assistance please call **888-775-0202** or visit us on the web at www.mcappliance.com to request warranty service or order parts.



**CNA International, Inc. d/b/a MC Appliance Corporation. All rights reserved.
Magic Chef® logo is a registered trademark of CNA International, Inc.**

www.mcappliance.com

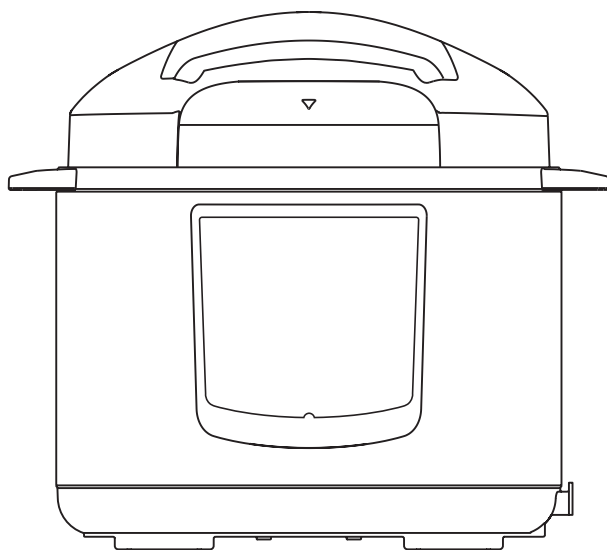
Printed in China



Magic Chef®

Multicocina

Manual del usuario



Modelo MCSMC10S7

LEA ESTE MANUAL ANTES DE UTILIZAR SU MULTICOCINA Y GUÁRDELO PARA FUTURA REFERENCIA.



REGISTRACIÓN DEL PRODUCTO

Gracias por comprar el producto Magic Chef®. El primer paso para proteger su nuevo producto es completar la forma de registración en nuestra pagina web: www.mcappliance.com/register. Los beneficios de registrar su producto incluyen lo siguiente:

1. Al registrar su producto nos permite contactarle para notificarle de un cambio de seguridad o actualización del producto.
2. Si llegara a necesitar servicio bajo garantía, registrando su producto nos permite ser más eficiente en procesar el servicio.
3. En el evento que usted tenga una perdida que esta cubierto por un seguro, registrando su producto puede servir como prueba de su compra.

Una vez más gracias por comprar un producto marca Magic Chef.

ÍNDICE

REGISTRACIÓN DEL PRODUCTO	29
PRECAUCIONES	31
INSTRUCCIONES DE SEGURIDAD IMPORTANTES	32
ESPECIFICACIONES	34
PARTES Y FUNCIONES	35
ACERCA DE LA MAGIC CHEF MULTICOOKER	37
ANTES DE CADA USO	39
INSTRUCCIONES DE FUNCIONAMIENTO	40
CUIDADO Y MANTENIMIENTO	51
SOLUCIÓN DE PROBLEMAS	52
GARANTÍA LIMITADA	54

PRECAUCIONES

EXPLICACIÓN DE LOS SÍMBOLOS

▲ ADVERTENCIA

Peligros o prácticas inseguras que PODRÍAN provocar lesiones personales graves o la muerte.

▲ PRECAUCIÓN

Peligros o prácticas inseguras que PODRÍAN provocar lesiones personales leves.

▲ ADVERTENCIA: Lea y comprenda todas las precauciones de seguridad. La inobservancia de todas las instrucciones descritas en este manual del usuario podrían derivar en descarga eléctrica, incendio y/o lesiones personales graves. Las advertencias, precauciones e instrucciones planteadas en este manual del usuario no cubren todas las eventuales condiciones y situaciones que podrían suscitarse.

INSTRUCCIONES DE SEGURIDAD IMPORTANTES

▲ ADVERTENCIA: Al momento de utilizar su Magic Chef Multicooker, siempre debe seguir las precauciones básicas de seguridad.

1. Lea todas las instrucciones antes de utilizar el electrodoméstico.
2. Este producto es solo para uso hogareño. **NO** lo utilice al aire libre.
3. Esta unidad **JAMÁS** puede ser operada por niños y se debería emplear precaución extrema cuando se utilice ante la presencia de niños.
4. Este aparato cocina bajo presión. Su uso inadecuado podría provocar quemaduras. Asegúrese de que la unidad quede correctamente cerrada antes de empezar a funcionar. (Consulte «Preparación para cocinar» en la página 41.)
5. **JAMÁS** abra la Multicocina hasta tanto se haya enfriado y liberado toda la presión interna. Si resulta difícil de abrir la manija deslizándola, ello indica que la cocina todavía se encuentra presurizada, por lo que **JAMÁS** fuerce su apertura. Cualquier tipo de presión que haya dentro de la cocina puede ser peligrosa. (Consulte «Preparación para cocinar» en la página 41.)
6. **NO** use la Multicocina para nada que no sea su uso pretendido.
7. **NO** coloque materiales explosivos en la Multicocina.
8. **NO** coloque la unidad sobre ni cerca de un gas caliente o quemador eléctrico.
9. **NO** coloque la unidad en un horno precalentado.
10. **NO** opere la unidad sobre una superficie inestable.
11. **NO** opere la unidad cerca del agua o fuego.
12. **NO** exponga la unidad a la luz solar directa.
13. **JAMÁS** opere la unidad sobre materiales inflamables, como ser periódicos o placas de papel.
14. **NO** sumerja el cable ni el enchufe en agua.
15. Mantenga el cable alejado de superficies que hayan sido calentadas.
16. **NO** deje que el cable quede colgando del borde de mesas o mesadas.
17. **NO** opere este aparato si tiene dañado el cable o el enchufe.
18. Desenchufe el aparato del toma cuando no esté en uso, antes de remover sus partes y antes de limpiarlo.
19. Si cualquiera de sus partes está dañada, **NO** lo use hasta tanto quede reparado por un técnico competente del servicio de mantenimiento.
20. Sólo el personal autorizado debería reparar la unidad para reducir el riesgo de incendio y descarga eléctrica.
21. **JAMÁS** utilice accesorios ni repuestos no autorizados, dado que pueden provocar lesiones.
22. **NO** use recipientes de cocción dentro de la Multicocina que no sean resistentes al calor.
23. Se debe emplear precaución extrema al momento de mover la unidad cuando ésta contenga líquidos o aceite calientes.
24. **▲ PRECAUCIÓN:** para reducir el riesgo de descarga eléctrica, sólo cocine en el contenedor removible provisto (recipiente de cocción interno).
25. **JAMÁS** toque las superficies calientes. Utilice manijas o manoplas.
26. **JAMÁS** cubra las válvulas de presión.

27. **JAMÁS** coloque el rostro cerca de la válvula de escape o flotación.
28. **SIEMPRE** use guantes para horno al momento de liberar presión o cuando abra la tapa.
29. Antes de cada uso, verifique que no estén obstruidas ni tapadas la protección antibloqueo, la válvula de flotación ni la válvula de escape. Limpie la placa de calentamiento y las superficies del recipiente interno a fin de asegurarse de que no haya ningún tipo de restos. Cerciórese de que la válvula de escape se encuentre en el lugar correcto.
30. **JAMÁS** fría con aceite en profundidad ni a presión dentro de la unidad. Es peligroso y podría ocasionar incendios o daños graves.
31. La cantidad total de comida y agua **JAMÁS** debe superar el nivel máximo que está marcado en el recipiente interno. Se recomienda no llenar la unidad por sobre 2/3 de su capacidad total. Algunos alimentos, como ser el arroz o las verduras desecadas se expanden durante la cocción, por lo que no debería llenarse más de la mitad indicada en el recipiente interno. Llenar en exceso podría provocar el taponamiento del conducto de ventilación y así generar un exceso de presión. Esto podría causar derrames y dañar la unidad. (Consulte «Preparación para cocinar» en la página 41.)
32. Para desconectarla, presione el botón Cancelar hasta que la unidad se apague y quite el enchufe del toma eléctrico de pared.
33. **NO** mueva este producto ni intente quitarle la tapa cuando se encuentre en funcionamiento.
34. **JAMÁS** coloque las manos ni la cara sobre las válvulas de escape/flotación durante su uso, ya que podría causar ardores.
35. Después de la cocción, use precaución extrema cuando abra la tapa. **SIEMPRE** quite la tapa lejos de usted para evitar contacto con la piel de cualquier vapor o calor que salga. El vapor contenido en el interior de la unidad podría provocar quemaduras graves.
36. Una vez finalizada la cocción, **NO** toque el recipiente interno.
37. Este aparato puede ser utilizado por personas con capacidades mentales, físicas o sensoriales disminuidas o carentes de la experiencia y los conocimientos necesarios sólo en caso de que hayan recibido la debida supervisión o instrucción.

ESPECIFICACIONES



Altura	325 mm (12.8")
Ancho	330 mm (13.0")
Profundidad	315 mm (12.4")
Calibre del recipiente interno	221 mm (8.7")
Capacidad	6 litros
Suministro eléctrico	120V-60Hz
Voltaje nominal	1000W
Presión de trabajo	70kPa
Límite de presión para la liberación de vapor	17.4 psi/120kPa

PARTES Y FUNCIONES

PRODUCTO PARTES & ACCESORIOS

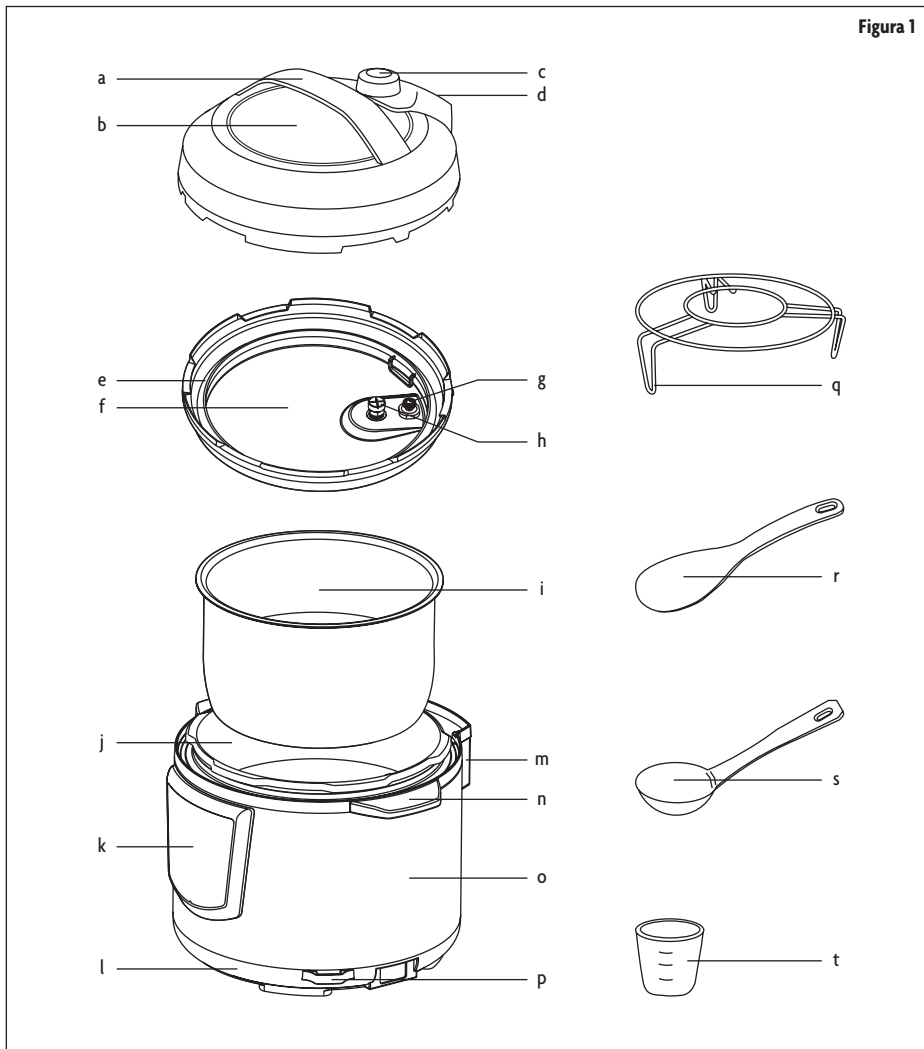


Figura 1

- | | | | | | |
|----|---|----|--------------------------|----|-----------------------------------|
| a. | Tapa con manija | h. | Protección antibloqueo | o. | Gabinete |
| b. | Tapa | i. | Recipiente interno | p. | Estante para el cucharón de arroz |
| c. | Válvula de escape | j. | Recipiente externo | q. | Anaqueles de acero inoxidable |
| d. | Válvula de flotación | k. | Panel de control | r. | Cuchara para arroz |
| e. | Burlete | l. | Base | s. | Cuchara para sopa |
| f. | Interior de la tapa | m. | Colector de condensación | t. | Taza de medición |
| g. | Burlete anular de la válvula de flotación | n. | Manija | | |

PANEL DE CONTROL

Figura 2



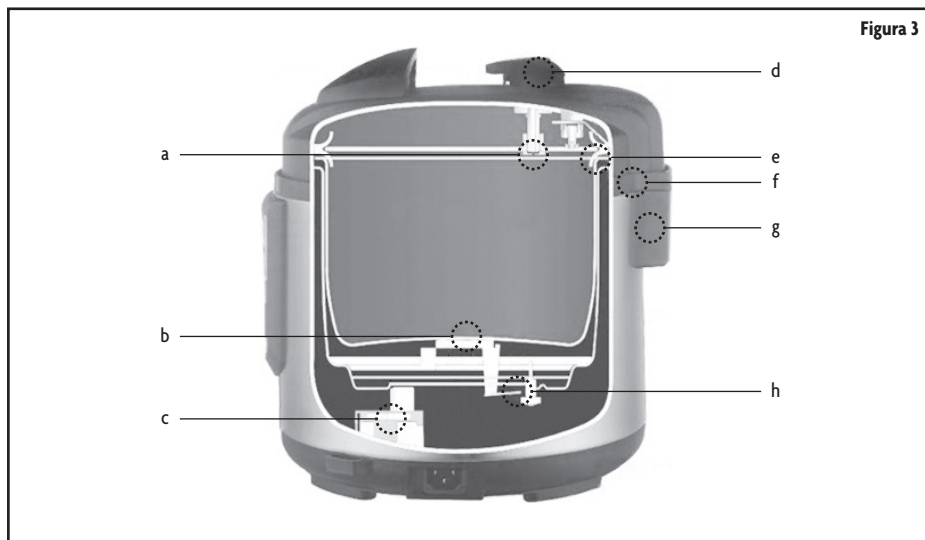
ACERCA DE LA MAGIC CHEF MULTICOOKER

La Magic Chef Multicooker es una Multicocina programable 7 en 1 que combina la función de una olla de cocción lenta, una multicocina, una sartén, una olla para cocción de arroz, una olla de vapor, una yogurtera y un calentador de comida. El uso de la Multicooker hace que sus comidas se cocinen más rápido pero sin secarse y dejándoles una mejor textura. Cocinar con presión reduce el tiempo de cocción hasta un 70%, lo cual hace ahorrar energía. Las funciones para Pescado y Vapor utilizan una menor presión, lo que evita que los alimentos delicados se cocinen por demás. La Multicooker también está certificada por la agencia gubernamental United Laboratories.

CARACTERÍSTICAS

- 14 métodos de cocción: Arroz, multicereales, sopas, carnes/guisos, aves, pescados, vapor, legumbres/chiles, yogurt, pasteurización, potajes, calentamiento, cocción lenta y dorado
- Demora la hora de inicio de su cocción hasta 24 horas para que su comida esté lista justo a tiempo
- Hasta 90 minutos de tiempo de cocción manual para ajustar a medida su Magic Chef Multicooker a sus recetas favoritas
- Una vez finalizado su programa seleccionado, la función de calentamiento comienza automáticamente para mantener la comida caliente hasta 12 horas
- Anaquel para vapor y recipiente interno de acero inoxidable y seguros para los lavavajillas
- Posibilidad para ajustar el tiempo de cocción de los valores predeterminados

CARACTERÍSTICAS DE SEGURIDAD

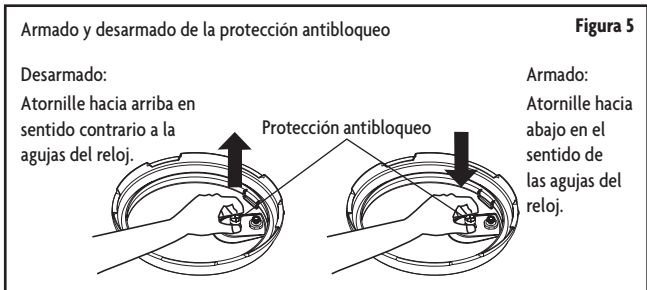
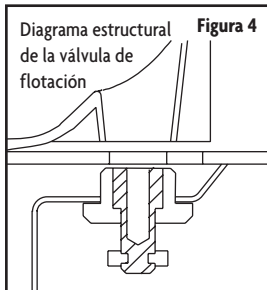


- a. Protección antibloqueo: La Protección antibloqueo está diseñada para evitar cualquier tipo de obstrucción en la válvula de escape.
- b-1. Protección del límite de temperatura: Si la temperatura del recipiente interno es demasiado alta, el fusible térmico de la unidad hará que ésta se apague en forma automática.

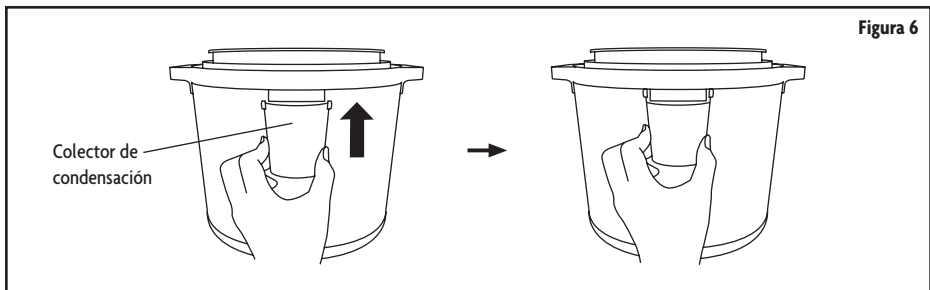
- b-2. Protección del límite térmico: Al cocinar sin tener comida dentro, el mecanismo limitador de temperatura comenzará a apagar la energía.
- c. Protección contra el exceso de tensión: Apaga la unidad si la corriente eléctrica alcanza un nivel excesivo o peligroso.
- d. Protección del límite de presión: Una vez que la presión supera los 110kPa, la válvula de escape liberará automáticamente el vapor para así reducir la presión.
- e. Liberación automática de presión excesiva: Si la presión alcanza un nivel anormal demasiado alto, el recipiente interno se desplazará hacia abajo para dejar una brecha entre el burlete de sellado y el recipiente para poder liberar la presión.
- f. Dispositivo de seguridad de apertura y cierre de la tapa: Si hay presión dentro de la cocina, entonces la tapa quedará fija en la posición de cierre bloqueado para evitar que se abra.
- g. Microinterruptor para el precinto de apertura: Recién cuando la tapa se cierre correctamente, se comenzará a generar presión.
- h. Dispositivo de seguridad del control de presión: Equilibra la presión que hay dentro del recipiente entre 60kPa y 80kPa a través del interruptor de presión.

ANTES DE CADA USO

1. Asegúrese de que la válvula de flotación (Figura 4), la protección antibloqueo (Figura 5) y el burlete no presenten ningún tipo de obstrucciones y que estén ensamblados correctamente en su lugar.



2. Antes de insertar el recipiente interno en el externo, quite todos los restos y el agua remanente que quede en ambos.
3. Limpie el estuche exterior con un paño suave en caso de estar mojado.
4. Instale el colector de condensación. En la parte trasera de la Multicocina debajo de la plataforma de la válvula de escape, presione firmemente el colector de condensación para que quede en su lugar en la parte superior de la base. Éste se usa para recolectar el exceso de condensación proveniente de la tapa.



INSTRUCCIONES DE FUNCIONAMIENTO

ESTADOS DE LA MAGIC CHEF MULTICOOKER

- **Modo de espera:** La cocina está en modo de espera siempre que se enchufe y la pantalla muestre «- - -».
- **Precautado:** El precautado ocurre cuando la cocina se está precautando hasta llegar a la temperatura y presión correctas. Esto ocurre después de que haya seleccionado su tiempo de cocción y antes de que la cocina inicie el tiempo de cocción real. Las líneas que están en la parte externa de la pantalla empezarán a girar continuamente en círculos.
- **Modo de operación:** Una vez finalizado el tiempo de precautado, la Magic Chef Multicooker comenzará a cocinar. La pantalla mostrará el tiempo de cocción correspondiente.

APERTURA DE LA TAPA

1. Antes de abrir la tapa, asegúrese de que la multicocina haya terminado de cocinar. Si el programa de cocción todavía sigue encendido, entonces presión el botón «Cancelar» para detenerlo.

▲ ADVERTENCIA: JAMÁS abra la multicocina hasta tanto se haya enfriado y liberado toda la presión interna. Si resulta difícil de abrir la manija deslizándola, ello indica que la cocina todavía se encuentra presurizada, por lo que **JAMÁS** fuerce su apertura. Cualquier tipo de presión que haya dentro de la cocina puede ser peligrosa. (Consulte en la página 41.)

2. Hay dos maneras de liberar la presión de la cocina, la Liberación natural y la Liberación rápida.

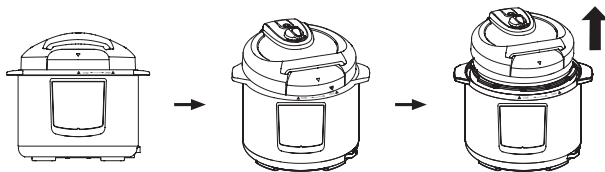
- **Liberación natural:** Una vez finalizada la cocción, la presión se liberará por sí sola. El tiempo de liberación natural puede variar entre 10 y 25 minutos. Toda la presión se liberará una vez caída la válvula de flotación. Luego se puede abrir la tapa. Colocar una toalla húmeda sobre la tapa puede ayudar a que la multicocina se enfríe más rápidamente.
- **Liberación rápida:** Si desea liberar la presión de inmediato después de haber cocinado, entonces use la opción liberación rápida. Una vez que la cocina pare de cocinar, deslice la válvula de escape hacia «Ventilación» para liberar la presión. Toda la presión se liberará una vez caída la válvula de flotación. **NO** use la función Liberación rápida para los alimentos que contengan mucho almidón ni cuando haya mucho líquido en la cocina. Para este tipo de alimentos, use la liberación natural. Asimismo, podrá utilizar una combinación de las funciones Liberación natural y Liberación rápida. Podrá resultarle beneficioso si necesita tiempo de cocción adicional con la Liberación natural, pero no quiere esperar todo el tiempo que requiere la liberación de presión.

▲ ADVERTENCIA:

- **SIEMPRE** use guantes para horno al momento de liberar presión o cuando abra la tapa.
- Después de la cocción, use precaución extrema cuando abra la tapa. **SIEMPRE** quite la tapa lejos de usted para evitar contacto con la piel de cualquier vapor o calor que salga. El vapor contenido en el interior de la unidad podría provocar quemaduras graves.
- **NO** coloque el rostro ni las manos cerca de los orificios que hay en la parte superior de la válvula de escape. El vapor puede causar quemaduras.
- **NO** intente quitar la válvula de flotación ni la de escape cuando se esté liberando vapor.

3. Coloque la mano sobre la manija y gire la tapa hacia la posición de desbloqueo y levántela. Coloque la posición de escape hacia «Ventilación» cuando abra la tapa, sin importar la opción de liberación de presión que haya empleado. (Consulte la Figura 7.)

Figura 7

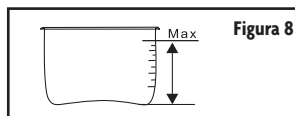


- Una vez desprendida la tapa, se podrá sostenerla encima de la plataforma donde se encuentra el colector de condensación. El exceso de condensación caerá dentro del colector y no sobre su comida.

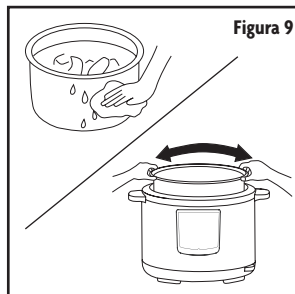
PREPARACIÓN PARA COCINAR

- Abra la funda de la tapa con una rotación contraria al sentido de las agujas del reloj hasta que la flecha de la tapa esté alineada con la flecha de la base. Luego levante la funda.
- Asegúrese de que todas las partes de la tapa estén ensambladas correctamente, incluidas la válvula de flotación, la de escape, el burllete de goma y la protección antibloqueo. Verifique que no estén obstruidas ni tapadas la válvula de flotación ni la válvula de escape. El burllete de goma debería estar firme dentro de su anaquele de soporte y la válvula de flotación debería poder moverse hacia arriba y abajo con facilidad.

- Saque el recipiente interno de acero inoxidable de la base y llénelo con la comida y el líquido que desee cocinar. La cantidad total de comida y líquido **JAMÁS** debe superar el nivel máximo que está marcado en el recipiente interno. Se recomienda no llenar el recipiente interno por sobre 2/3 de su capacidad total. Algunos alimentos que se expanden al cocinarse, como ser arroz, porotos o verduras desecadas, no deberían llenarse más de la mitad del recipiente interno. Llenar en exceso podría provocar el taponamiento de los conductos de ventilación y generar un exceso de presión que podría provocar derrames, daños a la unidad o lesiones personales. (Consulte la Figura 8.)

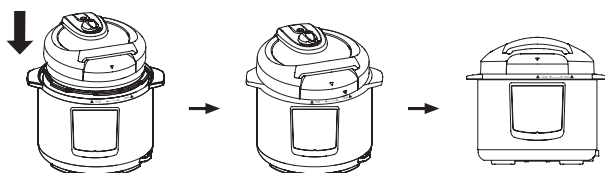


- Quite todos los objetos extraños de la Multicocina y limpie el recipiente interno y el interior de la Multicocina con un paño seco. Coloque el recipiente interno dentro de la Multicocina y gírela levemente para asegurarse de que tenga buen contacto con el elemento calentador. (Consulte la Figura 9.)



- Si así lo requiere su preajuste de cocción, coloque la tapa sobre la Multicocina (consulte las Pautas de preajuste más abajo). Sostenga la manija y rótelea 30° en el sentido de las agujas del reloj hasta que se traben en su lugar, haga un ruido y se alineen las flechas que hay en la tapa y la base para que quede en posición. Si la tapa no se cierra correctamente, el símbolo se encenderá debajo del nombre Magic Chef. (Consulte la Figura 10.)

Figura 10



6. Para los preajustes que requieran de una tapa, posicione la válvula de escape en la posición correcta. Cuando la válvula de flotación plateada esté para arriba, implica que hay presión dentro de la cocina. Cuando esté para abajo, significa que no hay presión dentro de la cocina. La válvula de escape puede encontrarse en dos posiciones. La posición «Sellado» mantiene las condiciones herméticas de cocción y se utiliza para la mayoría de los preajustes. La posición «Ventilación» permite que se libere el vapor constantemente. Esta posición también se puede utilizar para una liberación rápida y así permitir que la presión escape de inmediato, lo cual puede ser beneficioso una vez finalizada la cocción para que no tenga que esperar a que se libere la presión. Más abajo consulte la información sobre la posición de la válvula de escape. (Consulte la Figura 11 y 12.)



PAUTAS DE PREAJUSTE

Preajuste	Tiempo (minutos)			Tapa	Posición de la válvula de escape	Temperatura (°F)
	Menos	Normal	Más			
Sopa	20	30	40	Sí	Sellado	239
Aves	10	20	30	Sí	Sellado	239
Carnes/Guisos	25	35	45	Sí	Sellado	239
Legumbres/Chiles	30	35	40	Sí	Sellado	239
Dorado	-	30	-	No	S/D	320
Arroz	-	14 - 18	-	Sí	Sellado	239
Multicereales	20	35	50	Sí	Sellado	239
Pescados	3	5	8	Sí	Sellado	239
Potajes	10	20	30	Sí	Sellado	239
Vapor	5	15	25	Sí	Sellado	239
Yogurt	Rango ajustable: 4 - 8 horas			Sí	Sellado	107
Cocción lenta	Rango ajustable: 2 - 12 horas			Opcional	Sellado/Ventilación	203
Calentamiento	Rango ajustable: 2 - 12 horas			Opcional	Sellado/Ventilación	158
Manual	Rango ajustable: 0 - 90 minutos			Sí	Sellado	239

COCCIÓN A PRESIÓN

La cocción a presión se utiliza para Arroz, Multicereales, Sopas, Carnes/guisos, Aves, Pescados, Vapor, Legumbres/Chiles, Potajes y los preajustes manuales.

▲ ADVERTENCIA: Antes de utilizar la unidad, vea todas las instrucciones importantes sobre seguridad que aparecen en las páginas 32 y 33.

1. Termine la «Preparación para cocción» según la página 41 de este manual.
2. Enchufe la Magic Chef Multicooker. Hará un pitido y en la pantalla se podrá leer «- - -», que significa que la Multicocina se encuentra en modo de espera.
3. Seleccione una función de cocción. Una vez presionado el botón, la luz de arriba de su selección se encenderá.
 - Si desea seleccionar otra función, tendrá 10 segundos para hacerlo.
4. Una vez seleccionada la tecla de función, elija el tiempo de cocción. Consulte más abajo las instrucciones del Manual. La Magic Chef Multicooker se ajusta por defecto automáticamente al tiempo de cocción «Normal». Para cambiar:
 - Haga clic en el botón «Ajustar» para cambiar entre el tiempo de cocción designado como Normal, Menos y Más, que figura indicado en el panel de control. Para la función Arroz, no podrá cambiar el tiempo porque se ajusta automáticamente según el contenido que haya en su interior.
 - Selección del tiempo manual: Para seleccionar el tiempo Manual, presione los botones «<» o «>» para seleccionar el tiempo que desee. El tiempo máximo que puede escoger es de 90 minutos.
5. Después de 10 segundos, habrá 3 pitidos que indican que el programa ha comenzado. Alternativamente, podrá presionar el botón «Inicio» para comenzar a cocinar de inmediato.
 - La pantalla mostrará líneas que van en círculo alrededor de la pantalla y la Multicocina comenzará a precalentarse. Durante este tiempo, es normal que salga algo de vapor por la válvula de flotación hasta que aumente la temperatura. Los tiempos de precalentado varían.
 - Cuando la Multicocina alcance la presión de trabajo, el panel de la pantalla mostrará el tiempo de cocción programado, a modo de cuenta regresiva. No debería haber vapor saliendo de la tapa. Puede haber algo de vapor que salga de la válvula de escape y algunos chorros de agua, lo que es normal.
 - También puede haber suaves sonidos de ajuste que provengan del cambio que hace la unidad al encender o apagar el elemento de calentamiento.
 - Si desea cancelar el programa de cocción, presione el botón «Cancelar».
6. Una vez terminado el ciclo de cocción, la Multicocina emitirá un pitido y automáticamente se pondrá en estado de Calentamiento. En la pantalla se leerá «L0:00». Luego comenzará a contar hasta un máximo de 12 horas. Si el ciclo de Calentamiento alcanza las 12 horas, se apagará y pasará a estado de espera.
 - No se recomienda mantener nada en estado de Calentamiento durante más de 8 horas.
7. Para finalizar el estado de Calentamiento, presione «Cancelar». Siga las instrucciones sobre la Apertura de la tapa.

COCCIÓN LENTA

1. Termine la «Preparación para cocción» según la página 41 de este manual. La tapa es opcional para la cocción lenta.
2. Enchufe la Magic Chef Multicooker. Hará un pitido y en la pantalla se podrá leer «- - -», que significa que la Multicocina se encuentra en modo de espera.
3. Presione el botón «Cocción lenta».
4. Si desea modificar el tiempo de cocción, presione los botones «<» o «>». Presione el botón «Horas/Minutos» para cambiar entre horas y minutos. El tiempo cambiará en intervalos de 10 minutos y variarán de 2 a 12 horas y 50 minutos.
5. La cocción comenzará automáticamente 10 segundos después de haber presionado el último botón, o bien podrá presionar el botón «Inicio» para comenzar a cocinar de inmediato.

- Una vez terminado el ciclo de cocción, la Multicocina emitirá un pitido y automáticamente se pondrá en estado de Calentamiento. En la pantalla se leerá «L0:00». Luego comenzará a contar hasta un máximo de 12 horas. Si el ciclo de Calentamiento alcanza las 12 horas, pasará a estado de espera.
 - No se recomienda mantener nada en estado de Calentamiento durante más de 8 horas.
- Para finalizar el estado de Calentamiento, presione «Cancelar». Siga las instrucciones sobre la Apertura de la tapa.

COCCIÓN DEMORADA

La Magic Chef Multicooker cuenta con una función de temporizador que demora el tiempo de inicio de cocción. Puede demorar un lapso mínimo de 10 minutos y un máximo de 24 horas. La hora que usted determine será el momento en que la unidad COMIENCE a cocinar, usted debe considerar el tiempo que lleve cocinar y el tiempo que lleve liberar la presión para que su comida esté lista justo a tiempo. Usted no puede usar el temporizador de demora con las funciones de Calentamiento, Yogurt, Cocción lenta o Dorado. Para programar la demora con el temporizador, use las siguientes instrucciones.

- Termine la «Preparación para cocción» según la página 41 de este manual.
- Dentro de los 10 segundos posteriores a la selección de su programa, presione el botón «Demorar». Use los botones «-» o «+» para cambiar la hora. Presione el botón «Horas/Minutos» para fijar las horas y los minutos del temporizador.
- El temporizador de demora comenzará 10 segundos después de haber presionado el último botón, o bien podrá presionar el botón «Inicio» para comenzar a cocinar de inmediato. El tiempo que aparece en el panel de la pantalla aparecerá a modo de cuenta regresiva y se encenderá la luz «Demora» que se encuentra arriba.
- Si desea cancelar la función «Temporizador de demora», presione en cualquier momento el botón «Cancelar».
- Una vez que el tiempo llegue a 0:00, la Magic Chef Multicooker comenzará a cocinar. Una vez completa la cocción, la cocina pasará al modo Calentamiento.
 - No se recomienda utilizar la función «Temporizador de demora» para alimentos perecederos como carnes, aves y pescados, ya que podrían echarse a perder si se los deja a temperatura ambiente durante mucho tiempo.
 - No se recomienda utilizar el Temporizador de demora para el arroz. El arroz puede quedar demasiado blando si se lo remoja en agua durante mucho tiempo.
 - No se recomienda para potajes de avena y demás alimentos espumosos o pegajosos. La comida puede bloquear la válvula de flotación y hacer que quede abierta, lo que puede provocar un desborde de la comida.

DORADO

- Termine la «Preparación para cocción» según la página 41 de este manual pero **NO** ponga la tapa.
- Enchufe la Magic Chef Multicooker. Hará un pitido y en la pantalla se podrá leer «- - -», que significa que la Multicocina se encuentra en modo de espera.
- Presione el botón «Dorado». El mayor tiempo posible para aplicar esta función es de 30 minutos.
- Después de 10 segundos, se iniciará el tiempo de cocción o bien puede presionar el botón «Inicio». El tiempo comenzará a correr a modo de cuenta regresiva una vez iniciado el programa.
- Una vez terminada la cocción, la cocina emitirá un pitido y pasará al modo Calentamiento. En la pantalla se leerá «L0:00». Luego comenzará a contar hasta un máximo de 12 horas. Si el ciclo de Calentamiento alcanza las 12 horas, pasará a estado de espera.

- No se recomienda mantener nada en estado de Calentamiento durante más de 8 horas.
- En caso de ser necesario un dorado adicional, puede presionar el botón «Cancelar» y luego vuelva a presionar el botón «Dorado».

6. Para finalizar el estado de Calentamiento, presione «Cancelar».

CALENTAMIENTO

Calentamiento automático

- La función Calentamiento comienza automáticamente una vez finalizada la cocción salvo por el preajuste Yogurt.
- El tiempo máximo es de 12 horas. No se recomienda excederse de 8 horas ya que la textura de la comida podría cambiar.
- Cocina a una temperatura de 158 °F.
- En la pantalla se leerá «L0:00» y contará hasta mostrar el tiempo que se ha mantenido en la función Calentamiento.
- Una vez finalizado el tiempo de precalentado, la Magic Chef Multicooker pasará al modo de Espera.

Calentamiento manual

- La función Calentamiento también se puede utilizar por sí sola presionando simplemente el botón «Calentamiento».
- Luego seleccione el tiempo que desee utilizar esta función. El tiempo podrá variar de 2 a 12 horas y 50 minutos. No se recomienda excederse de 8 horas ya que la textura de la comida podría cambiar.
- Cocina a una temperatura de 158 °F.
- La pantalla le mostrará el tiempo que usted haya seleccionado y luego disminuirá a modo de cuenta regresiva.
- Una vez finalizado el tiempo de precalentado, la Magic Chef Multicooker pasará al modo de Espera.

YOGURT

Usted puede hacer yogurt en su Magic Chef Multicooker utilizando botellas de vidrio. Asegúrese de que sean resistentes al calor. Para hacer yogurt debe hacerse en dos pasos. El primero consiste en pasteurizar la leche calentándola hasta 180°F lo que esteriliza la leche y mata los patógenos y bacterias. El segundo paso consiste en dejarla enfriar hasta los 115°F, agregar el fermento base y luego presionar el botón Yogurt para efectivamente comenzar a hacerlo.

1. Termine la «Preparación para cocción» según la página 41 de este manual.
2. Vierta 1 taza de agua en el recipiente interno y coloque el anaquel metálico en su interior.
3. Vierta leche en sus contenedores de vidrio y deje algo de espacio para agregar el fermento base más tarde. Luego coloque sus contenedores de vidrio sobre el anaquel metálico.
4. Cierre la tapa y ponga la válvula de escape en «Sellado».
5. Presione el botón «Manual» y luego presione el botón «<-» para cambiar el tiempo a 1 minuto. Presione el botón «Inicio» o espere 10 segundos para comenzar a cocinar. Esto hará que la leche hierva hasta los 180°F.
6. Las líneas que están en la parte externa de la pantalla empezarán a girar en círculos, lo que le indica que se está precalentando. Una vez finalizado el tiempo de precalentado, aparecerá 1 minuto de tiempo de cocción. Use el método de liberación de vapor natural.
7. Deje que la leche se enfríe hasta por debajo de los 115°F.

8. Agréguele a la leche el fermento base del yogurt o bien yogurt fresco y revuélvalo. Vuelva a colocar los contenedores dentro del recipiente interno que esté sobre el anaquel metálico.
9. Cierre la tapa y ponga la válvula de escape en «Sellado». Presione el botón «Yogurt» y use los botones «←» o «→» para seleccionar el tiempo correcto según su receta o el fermento base para el yogurt utilizado.
10. Presione «Inicio» o espere 10 segundos para que el programa comience a funcionar automáticamente.
11. Una vez finalizado el programa, sentirá un pitido y luego pasará al modo de espera.

EJECUCIÓN DE PRUEBA

Hacer una ejecución de prueba es una buena manera de familiarizarse con su Magic Chef Multicooker. Esto solo demora unos 15 minutos y puede limpiar la unidad de cualquier residuo. Esto no es necesario pero sí recomendable.

▲ ADVERTENCIA: Antes de utilizar la unidad, vea todas las instrucciones importantes sobre seguridad que aparecen en las páginas 32 y 33.

1. Siga los pasos señalados en «Preparación para cocinar» en la página 41.
2. Antes de cerrar la tapa, vierta 3 tazas de agua dentro del recipiente interno y luego cierre la tapa. Ponga la válvula de escape en la posición «Sellado».
3. Presione el botón «Vapor» y luego presione el botón «Ajustar» hasta que se encienda la luz de arriba «menos».
4. En 10 segundos la Multicocina comenzará a cocinar o bien podrá presionar el botón «Inicio» para comenzar a cocinar de inmediato.
5. La Magic Chef Multicooker comenzará el ciclo de precalentado. Durante este tiempo, es normal que salga vapor. La válvula de flotación subirá y sellará la cocina. Una vez alcanzada la presión de trabajo, el tiempo de cocción a vapor comenzará a modo de cuenta regresiva.
6. Una vez finalizado el programa, la unidad emitirá un pitido y luego pasará al modo «Calentamiento». En la pantalla el temporizador aparecerá «L0:00» y contará hasta mostrar el tiempo que se ha mantenido en la función Calentamiento.
7. Para detener el modo Calentamiento, presione el botón «Cancelar». Para liberar la presión de la cocina, puede usar la Liberación natural o la Liberación rápida.

AJUSTES DE TIEMPO PARA GRANDES ALTITUDES

La Magic Chef Multicooker utiliza presión para cocina, la que se suma a la presión a la atmosférica imperante en el ambiente. Dado que a distintas altitudes existen diferentes presiones, los lugares de mayor altitud tendrán que incrementar el tiempo de cocción. Se puede utilizar el gráfico de la derecha como guía orientativa para realizar los ajustes necesarios en función de las distintas altitudes.

Pies por encima del nivel del mar	Porcentaje de tiempo que debe aumentarse
2000 pies	5%
3000 pies	10%
4000 pies	15%
5000 pies	20%
6000 pies	25%
7000 pies	30%
8000 pies	35%
9000 pies	40%
10000 pies	45%

PAUTAS PARA EL TIEMPO DE COCCIÓN

Saber el tiempo que demoran los alimentos en cocinarse, la cantidad de líquido que hay que agregar, el método de liberación de vapor que se debe emplear, etc., puede resultar confuso al principio. Estas pautas para cocinar son sólo una referencia pero pueden ayudarlo a acostumbrarse al uso de su Multicocina. Si está utilizando una receta, siga las instrucciones para su respectivo tiempo de cocción recomendado, ya que los distintos ingredientes de receta podrían afectar el tiempo de cocción. Además, sin importar lo que esté cocinando, tiene que haber alguna suerte de líquido presente dentro de la Multicocina. Si está cocinando un alimento congelado, haga que la cocción dure más tiempo.

ARROZ, MULTICEREALES, & POTAJES

Debería utilizar la opción de liberación natural para las funciones de cocción de arroz, multicereales y potajes para que la espuma no se meta dentro de la válvula. Además, **NUNCA** llene la Multicocina más de la mitad cuando cocine arroz, cereales o cualquier otro alimento que se expanda en tamaño. Para evitar la espuma que generan estos alimentos, incorpore un poco de aceite de cocción, mantequilla o grasa (1 ó 2 cucharadas) para ayudar a mantener bajo el almidón y así evitar que se desborde su espuma. Algunos arroces y cereales requieren un enjuague previo a su cocción, por lo que asegúrese de verificar sus instrucciones antes de cocinarlos.

El programa Arroz está totalmente automatizado para cocinar arroz. El tiempo de cocción variará entre 14 y 18 minutos porque ajusta automáticamente el tiempo según la cantidad de comida que esté cocinando. Sólo se mostrará el tiempo en que se mantiene la presión una vez alcanzada la adecuada. No se mostrará el tiempo total de cocción, por lo que también tendrá que considerar en su estimación el tiempo de precalentado y el de liberación del vapor.

La función multicereales se usa para cocinar diversos tipos de cereales y resulta óptima para cocinar los granos más duros. La función potajes se utiliza para hervir cereales, granos o legumbres en agua, caldo o leche. La avena y la gacha de maíz (congee) son un par de tipos de potajes que puede hacer utilizando esta función.

Arroz	Cantidad de líquido (tazas) por cada taza de arroz	Tiempo de cocción (minutos)
Arroz arborio (risotto)	2	5
Arroz basmati	1 ½	4
Couscous	2	5 - 8
Arroz jazmín	1	4
Kamut, integral	3	10
Millet	1 ⅓	10
Quinoa	2	6
Arroz blanco	1 ½	8

Multicereal	Cantidad de líquido (tazas) por cada taza de arroz	Tiempo de cocción (minutos)
Cebada, perlada	4	25
Cebada, sin descascarillar	3	25
Arroz integral	2	35
Bayas de escanda	3	15
Bayas de trigo	3	35
Arroz silvestre	3	25

Potajes	Cantidad de líquido (tazas) por cada taza de arroz	Tiempo de cocción (minutos)
Congee, de consistencia espesa	4 - 5	15 - 20
Congee, de consistencia ligera	6 - 7	15 - 20
Avena, de cocción rápida	1 ⅓	6
Avena, cortada a máquina tipo irlandesa	1 ⅓	10
Polenta, de grano grueso	4	8
Polenta, de grano fino	3	5
Potajes	6	15

SOPA

Cuando cocine sopas cremas, puede espesarlas después de terminada la cocción a presión. Si lo incorpora antes, habrá muy poco líquido que pueda evaporarse y la cocina no alcanzará la presión necesaria. Para ahorrar tiempo, puede hacer un roux por separado e incorporárselo una vez terminada la cocción de la sopa. También resulta óptimo incorporar leche y crema una vez finalizada la cocción de la sopa porque pueden quemarse o cuajarse en la Multicocina. Una vez finalizada la cocción de la sopa, espere 10 minutos para luego proceder con la liberación rápida.

Sopa	Tiempo (minutos)
Papa (cremosa) al horno	4
Calabaza	10 - 15
Enchilada de pollo	5
Sopa de pollo con fideos	5 - 8
Sopa de pollo (a base de caldo)	8
Crema de pollo y arroz silvestre	5
Lentejas	8
Minestrón	4
Sopa crema de almejas a la Nueva Inglaterra	5
Tomate con albahaca (cremosa)	5 - 8

CARNES/GUISOS & AVES

Cuando cocine carnes y aves, es importante que no incorpore demasiado líquido a la Multicocina salvo que esté preparando un guiso o estofado. Esto puede hacer que la carne pierda sabor, textura y nutrientes. Agregue alrededor de 1 taza de líquido cuando cocine carne durante 45 minutos o menos y aproximadamente 1 taza y media de líquido si está cocinando por más tiempo. Para agregar más sabor, dore la carne en la función Dorado antes de cocinarla. Suele ser mejor utilizar el método de liberación natural.

Carne vacuna	Tiempo (minutos)
Albóndigas	10 - 15
Rabo	40 - 50
Costillas	25 - 30
Perniles	25 - 30
Bifes, cuartos traseros, cortes de carne para cacerola, bola de lomo, aguja, paleta, falda	Grande: 35 - 40 Pequeño: 25 - 30
Carne para estofado	15 - 20

Aves	Tiempo (minutos)
Pechuga, deshuesada	5 - 8
Tiritas de pollo	5 - 8
Pollo, con hueso	8 - 10
Pollo, entero	20 - 25
Pollo molido	5 - 10
Pavo, pechuga	20
Pavo, patas	25 - 30
Pavo, entero	25 - 30

Cerdo	Tiempo (minutos)
Cerdo, panceta	40
Cerdo, chuletas	8
Cerdo, solomillo	55 - 60
Cerdo, costillas	20 - 25
Cerdo, cochinitillo	30
Cerdo, salchicha	8
Cerdo, paleta	45 - 50

Cordero	Tiempo (minutos)
Cordero, chuletas	7
Cordero, picado	12
Cordero, asado	20
Cordero, paleta	25
Cordero, estofado	10 - 15

PESCADOS

Los frutos de mar suelen cocinarse relativamente rápido. Por esto, suele ser mejor utilizar el método de liberación rápida de vapor apenas termine el programa de cocción. Dado que el preajuste Pescados utiliza vapor, utilice el anaquel metálico que viene con la Magic Chef Multicooker. Puede colocar el pescado directamente sobre el anaquel o bien sobre éste, puede ponerlo en un cuenco de acero o resistente al calor del horno.

Mariscos	Tiempo (minutos)
Calamares	20
Almejas	6
Bacalao	3
Cangrejo	3
Filete de pescado	3

Mariscos	Tiempo (minutos)
Posta de pescado	4
Merluza	7
Lenguado	7
Langosta	3
Mejillones	2

Mariscos	Tiempo (minutos)
Ostras	6
Salmón	6
Vieira	1
Sopa o caldo de mariscos	6 - 7
Camarón	2

VAPOR

La función Vapor sirve para cocer frutas y verduras al vapor porque mantiene sus nutrientes y genera una mejor textura. Si está cocinando un alimento congelado, haga que la cocción dure un par de minutos más. Use el anaquel metálico cuando vaporice frutas o verduras. También puede colocarlo sobre el anaquel dentro de un cuenco de acero o resistente al calor del horno. Si está cocinando frutos secos, déjelos hasta un par de minutos adicionales para su cocción.

Frutas	Tiempo (minutos)
Manzanas, rebanadas	2 - 3
Manzanas, enteras	3 - 4
Damascos	3 - 4
Arándanos azules	6
Cerezas	2

Fruits	Tiempo (minutos)
Arándanos rojos	8
Naranja, gajos	15
Duraznos	3 - 4
Peras, rebanadas	2 - 3
Peras, enteras	3 - 4

Fruits	Tiempo (minutos)
Ciruelas	5
Ciruelas pasas	2 - 3
Pasas de uva	4 - 5
Frutillas	1

Verduras	Tiempo (minutos)
Alcauciles, enteros, cortados (pequeños, medianos, grandes)	5, 8, 11
Corazones de alcauciles	4
Espárragos	1
Remolacha, cubeteada	4
Remolacha, entera (pequeña, mediana, grande)	10, 15, 20
Brócoli	3 - 5
Coles de Bruselas	3 - 4
Repollo	3
Zanahorias, rebanadas	1 - 2
Zanahorias, enteras	3 - 4
Coliflor, flores	2 - 3

Verduras	Tiempo (minutos)
Puerros	3
Hongos, frescos	5
Hongos, secos	10
Verduras mezcladas	2 - 3
Angu	2 - 3
Cebollas	3
Chirivías	2 - 3
Arvejas	2 - 3
Pimientos, morrones	3 - 4
Papas, bebé	5 - 6
Papas, en cuartos	5
Batatas	15

Apio	2 - 3
Berza	3 - 4
Maíz, en grano	1
Maíz, en mazorca	4
Berenjena	2 - 3
Escarola	1 - 2
Habas	2 - 3
Col	1

Papas, enteras (pequeñas, medianas, grandes)	10, 12, 15
Espinaca	1
Calabacín	7
Calabaza	6
Calabaza cabello de ángel	3 - 4
Peras, rodajas	3
Zucchini	2 - 3

LEGUMBRES/CHILES

Al cocinar legumbres, asegúrese de seleccionarlas, enjuagarlas y escurrirlas. Las legumbres secas pueden dejarse en remojo de un día para el otro y así acelerar el proceso de cocción. Dado que las legumbres se expanden al cocinarse, **JAMÁS** llene el recipiente interno más de la mitad para así poder dejarles un margen para que se expandan. Incorpore aproximadamente 1 cucharada sopera de aceite para evitar que desborde su espuma y tapone la válvula de presión. Suele ser mejor utilizar el método de liberación natural. Si las legumbres no están cocidas una vez finalizado el programa de cocción, podrá pasar a la función Dorado sin la tapa y terminar de cocerlas o bien cocinarlas bajo presión durante otros 3a5 minutos.

Porotos y legumbres	Tiempo de cocción en seco (minutos)	Tiempo de cocción en remojo (minutos)
Adzuki	20 - 25	10 - 15
Anasazi	20 - 25	10 - 15
Poroto negro	20 - 25	10 - 15
Alubias carillas	20 - 25	10 - 15
Cannellini	30 - 35	15 - 20
Garbanzos	35 - 40	20 - 25
Haba, seca	30	12
Haba, fresca	8	S/D
Porotos colorados	25 - 30	20 - 25
Porotos blancos	35 - 40	20 - 25

Porotos y legumbres	Tiempo de cocción en seco (minutos)	Tiempo de cocción en remojo (minutos)
Porotos de lima	20 - 25	10 - 15
Lentejas, verdes francesas, verdes, mini	15	S/D
Lentejas, partidas rojas, anaranjadas, amarillas	15	S/D
Porotos blancos	20 - 25	15 - 20
Arvejas	18	10
Porotos pintos	25	10
Porotos de soja	20 - 25	15 - 20

CUIDADO Y MANTENIMIENTO

Son esenciales el cuidado y el mantenimiento periódico para poder garantizar que este producto resulte seguro de utilizar. Quite todo tipo de polvillo o suciedad del enchufe o toma utilizando un cepillo seco. Si ocurriera cualquiera de las siguientes circunstancias, deje de usarlo de inmediato y comuníquese con el Servicio de Atención al Cliente Magic Chef.

- El cable de conexión y/o el enchufe experimentan una expansión, deformación, descoloración, daños, etc.
- Parte del cable de conexión y el enchufe emiten más calor que el habitual
- La Multicocina calienta en forma anormal y emite un olor a quemado
- Cuando está encendida la unidad, hay un sonido o descarga inusual

LIMPIEZA

▲ PRECAUCIÓN: NO limpie la Magic Chef Multicooker cuando esté enchufada o todavía caliente. **NO** sumerja la base de la cocina en agua.

- Remueva la tapa, el colector de condensación, y el recipiente interno de la base. Para limpiarla, use detergente y pásela un paño seco después de lavarla. El recipiente interno de acero inoxidable puede lavarse en el lavavajilla.
- Limpie con un paño seco toda la base, el gabinete de la unidad y el recipiente externo.
 - Para la tapa, cerciórese de limpiar el burlete, la válvula de escape, la protección antibloqueo, y la válvula de flotación. **NO** desarme el conducto de la válvula de escape.

SOLUCIÓN DE PROBLEMAS

PROBLEMAS Y SOLUCIONES COMUNES

Repase el siguiente cuadro en caso de estar experimentando un problema común o menor. Esto podrá disminuir la necesidad de tener que llamar a una persona del servicio técnico.

Problema	Posible causa	Solución
Dificultad para cerrar la tapa	El burlete no está instalado correctamente.	Asegúrese de que el burlete de goma esté detrás del anillo y quede firmemente presionado hacia abajo.
	La válvula de flotación está posicionada hacia arriba.	Presione levemente hacia abajo la válvula de flotación.
Dificultad para abrir la tapa	La válvula de flotación no baja después de liberarse el vapor.	Presione levemente hacia abajo la válvula de flotación con un utensilio largo como puede ser palillos chinos.
	Hay presión dentro de la cocina.	Use el método de liberación rápida y posicione la válvula de escape en «Ventilación» para dejar que escape la presión. Podrá abrir la tapa una vez liberada la presión.
Hay escapes de vapor por la parte inferior de la tapa.	No hay burlete.	Instale el burlete.
	Hay fragmentos de comida adheridos al burlete.	Limpie el burlete.
	Burlete dañado.	Reemplace el burlete.
	La tapa no cierra correctamente.	Abra la tapa y ciérrala correctamente.
Hay escape de vapor de la válvula de flotación durante más de 2 minutos.	Hay fragmentos de comida adheridos a la válvula de flotación.	Limpie la válvula de flotación.
	La válvula de flotación está deteriorada.	Reemplace la válvula de flotación.
La válvula de flotación no sube.	No hay suficiente comida ni líquido dentro del recipiente interno.	Incorpore líquido adicional según la receta.
	El gancho que traba la tapa obstruye la válvula de flotación.	Asegúrese de que la tapa quede cerrada correctamente. Consulte en la página 41.
Se libera vapor constantemente desde la válvula de escape.	La válvula de escape se encuentra en la posición «Ventilación».	Ponga la válvula de escape en «Sellado».
	Falla el control de presión.	Póngase en contacto con Atención al Cliente.
La luz de la pantalla no brilla.	Mal contacto con el toma eléctrico.	Póngase en contacto con Atención al Cliente.
C1 aparece en la pantalla.	Falla el sensor.	Póngase en contacto con Atención al Cliente.
C2 aparece en la pantalla.		

C5 aparece en la pantalla.	La temperatura es demasiado alta porque no hay agua dentro del recipiente interno.	Agregue agua según sea necesario.
	La temperatura es demasiado alta porque no está colocado correctamente el recipiente interno.	Coloque el recipiente adentro correctamente.
C6 aparece en la pantalla.	Falla el interruptor de presión.	Póngase en contacto con Atención al Cliente.
Se enciende  símbolo.	La tapa no está cerrada correctamente.	Cierre la tapa correctamente. Consulte en la página 41.
La pantalla mostrará «noPr».	No se alcanzó la presión de trabajo durante la etapa de precalentado.	Si sale vapor por la tapa, vea el problema 3, 4, 5 y 6. Si no sale vapor por la tapa y está cocinando comida congelada, vuelva a ejecutar el programa actual.
La pantalla mostrará «Ovht».	Se percibió un sobrecalentamiento dentro del recipiente interno.	Cancele el programa actual y vea si la comida que está en el fondo del recipiente está quemada.
La pantalla quedará en blanco si la cocina está enchufada.	No hay conexión eléctrica o la fuente de alimentación es defectuosa.	Examine el cable de conexión para cerciorarse de que el cable no está dañado. Verifique el toma para asegurarse de que se encuentra activo.
	Está quemado el fusible eléctrico de la Multicocina.	Póngase en contacto con Atención al Cliente.
El arroz está a medio cocer o está demasiado duro.	No se incorporó la suficiente agua.	Incorpore más agua según la cantidad correspondiente a la proporción de arroz y agua.
	Se levantó la tapa prematuramente.	Una vez terminada la cocción, deje la tapa puesta durante 5 minutos.
El arroz está demasiado blando.	Se incorporó demasiada agua.	Ajuste la proporción de arroz y agua según las instrucciones relativas al arroz.
Se oye un pitido esporádico cuando la Multicocina está cocinando.	La Multicocina se sobrecalienta y ha reducido la temperatura de calentamiento. Quizás no alcance la presión de cocción necesaria.	Se ha acumulado almidón u otro alimento en el fondo del recipiente interno y esto ha obturado el dispersor de calor.
Tictac ocasional.	El elemento de calentamiento se enciende y se apaga.	Esto es normal.
	El fondo del recipiente interno está húmedo en su parte exterior.	Asegúrese de que el recipiente interno esté seco antes de cocinar.



GARANTÍA LIMITADA

MC Appliance Corporation garantiza que todas las Multicocina carecen de defectos en el material y la mano de obra y acuerda solucionar cualquiera de estos defectos o instalar la(s) parte(s) nueva(s) (a elección de la compañía) en caso de que la unidad haya fallado durante el periodo de garantía. Las partes y gastos de reparación están cubiertos en esta unidad por un periodo de un año a partir de la fecha de compra. Es necesario presentar una copia del recibo o factura de compra con fecha para obtener los servicios de la garantía, el reemplazo o el reembolso.

Esta garantía cubre los aparatos que se usen dentro de los Estados Unidos contiguos, Alaska, Hawái y Puerto Rico. La garantía no cubre lo siguiente:

- Daños debido al daño del envío o a la instalación incorrecta.
- Daños debido al mal uso o abuso.
- Pérdidas de contenido debido a falla de la unidad.
- Las reparaciones se realizaron por los agentes desautorizados del servicio.
- Llamadas de servicio que no implican defectos en material y la ejecución tal como instrucción en el uso apropiado del producto o de la instalación incorrecta.
- Reemplazo o reajuste de los fusibles o de los interruptores de la casa.
- Falla de este producto si se usa con fines distintos a los que fue diseñado.
- Costes de la disposición de unidades falladas no vueltas a nuestra fábrica.
- Todos los gastos de entrega/instalación incurridos como resultado de una unidad que no cumple con lo especificado.
- Gastos de viajes y el transporte de los productos principales de servicio si su aparato está situado en una zona remota donde el servicio por un técnico de servicio no está disponible.
- La remoción y reinstalación de su gran aparato, si está instalado en un lugar inaccesible o no está instalado de conformidad con las instrucciones de instalación publicadas.
- Restituciones por productos no reparables se limita al precio pagado por la unidad por el recibo de compra.
- Esta garantía es intransferible. Esta garantía es válida exclusivamente para el comprador original y no se extiende a ningún otro propietario o propietarios subsiguientes.

Limitaciones de remedios y exclusiones:

La reparación del producto de acuerdo con los términos de este documento, es el único y exclusivo remedio determinado en esta garantía limitada. Todas y cada una de las garantías implicadas, incluyendo la calidad de comerciable y capacidad para un propósito particular, se limitan mediante la presente a un año o el periodo más corto permitido por la ley. MC Appliance Corporation no es responsable por daños incidentales ni resultantes y ningún representante o persona alguna están autorizados para asumir de parte nuestra ninguna otra responsabilidad en relación con la venta de este producto. Bajo ninguna circunstancia se le permite al consumidor regresar esta unidad a la fábrica sin consentimiento previo por escrito de MC Appliance Corporation.

Algunos estados prohíben la exclusión o limitación por daños incidentales o resultantes, o limitaciones en las garantías implícitas. Esta garantía le otorga a usted derechos legales específicos, y usted puede también tener otros derechos que varían según la entidad federal/va donde se encuentre.

Modelo	Piezas	Trabajo	Tipo de servicio
MCSMC10S7	Uno año	Uno año	Lleve adentro

Para servicio o asistencia, llame por favor al **888-775-0202**. O visítenos en www.mcappliance.com para solicitar el servicio de garantía o repuestos.



CNA International, Inc. realiza negocios bajo el nombre de MC Appliance Corporation. Derechos reservados.

El logotipo Magic Chef® es una marca registrada de CNA International, Inc.

www.mcappliance.com

Impreso en China