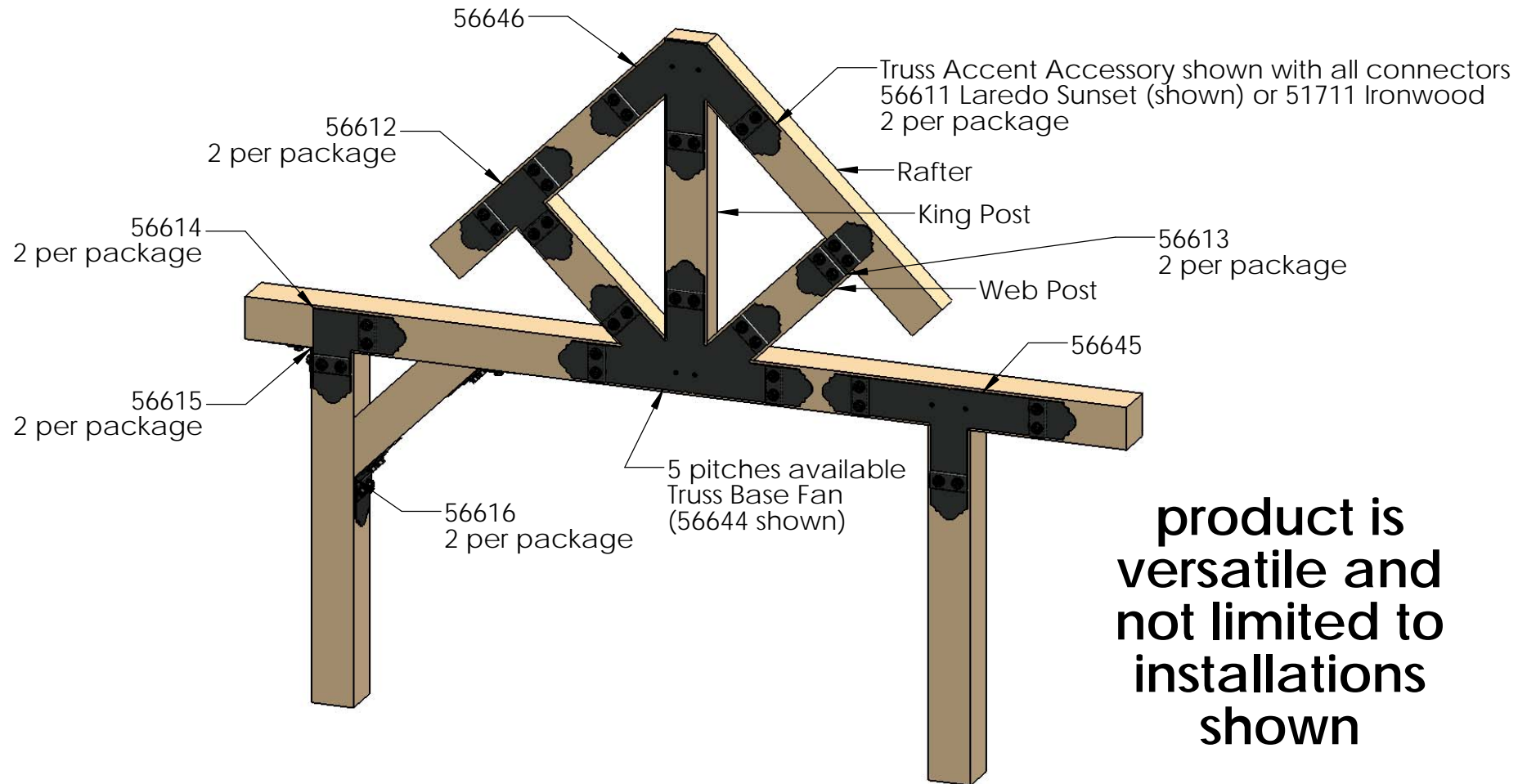


Installation Instructions, OZCO Truss System



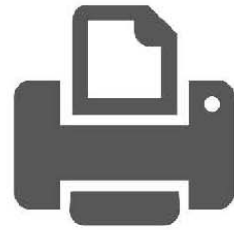
for details on King post, Web Post & Rafter cuts and cut lengths, see the following instructions:

- Truss Base Fan Calculator
- Truss Base Fan King & Web Post Cuts
- Truss Base Fan Custom Angle

Installation Instructions, OZCO Truss System

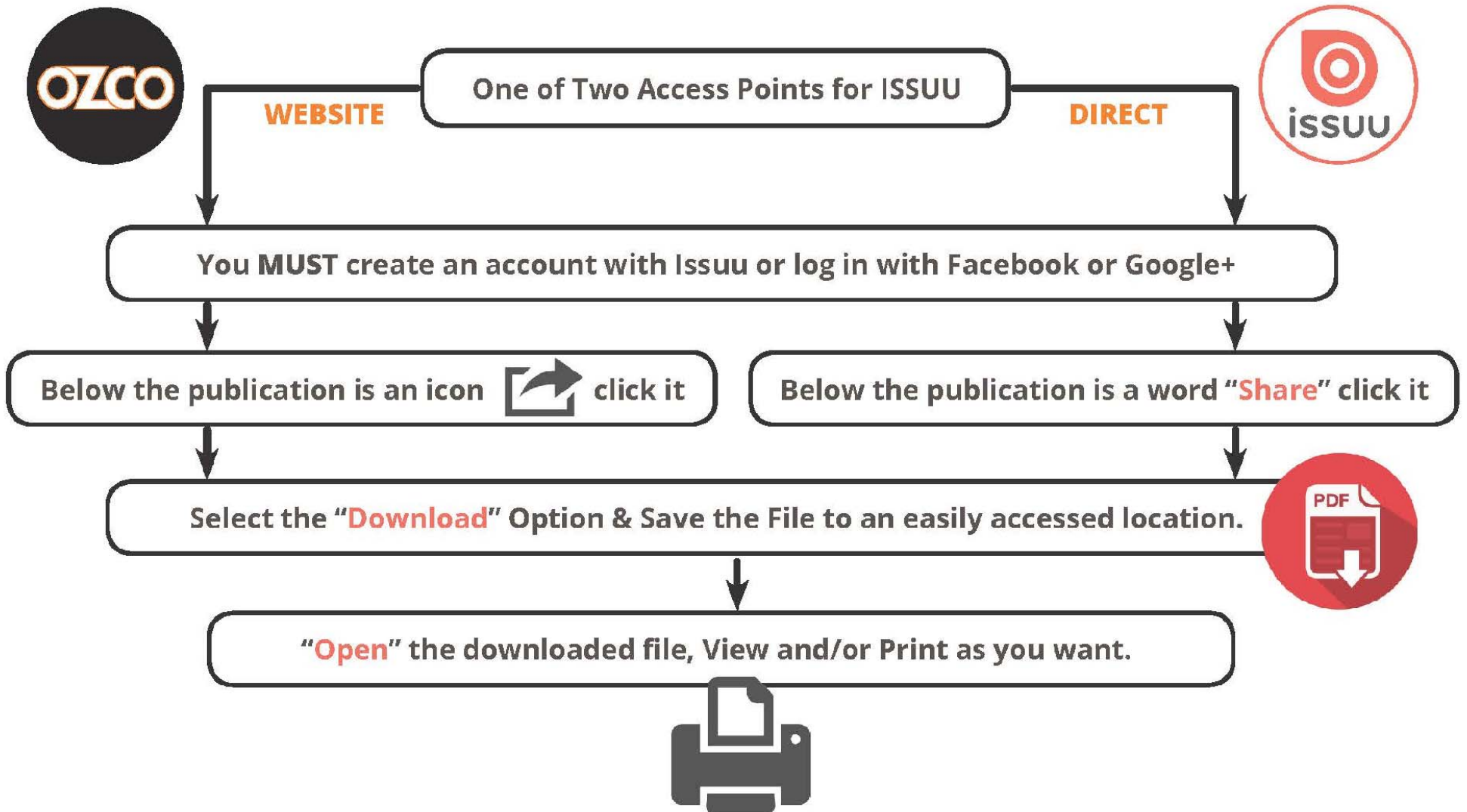
OWT Ornamental
Wood Ties

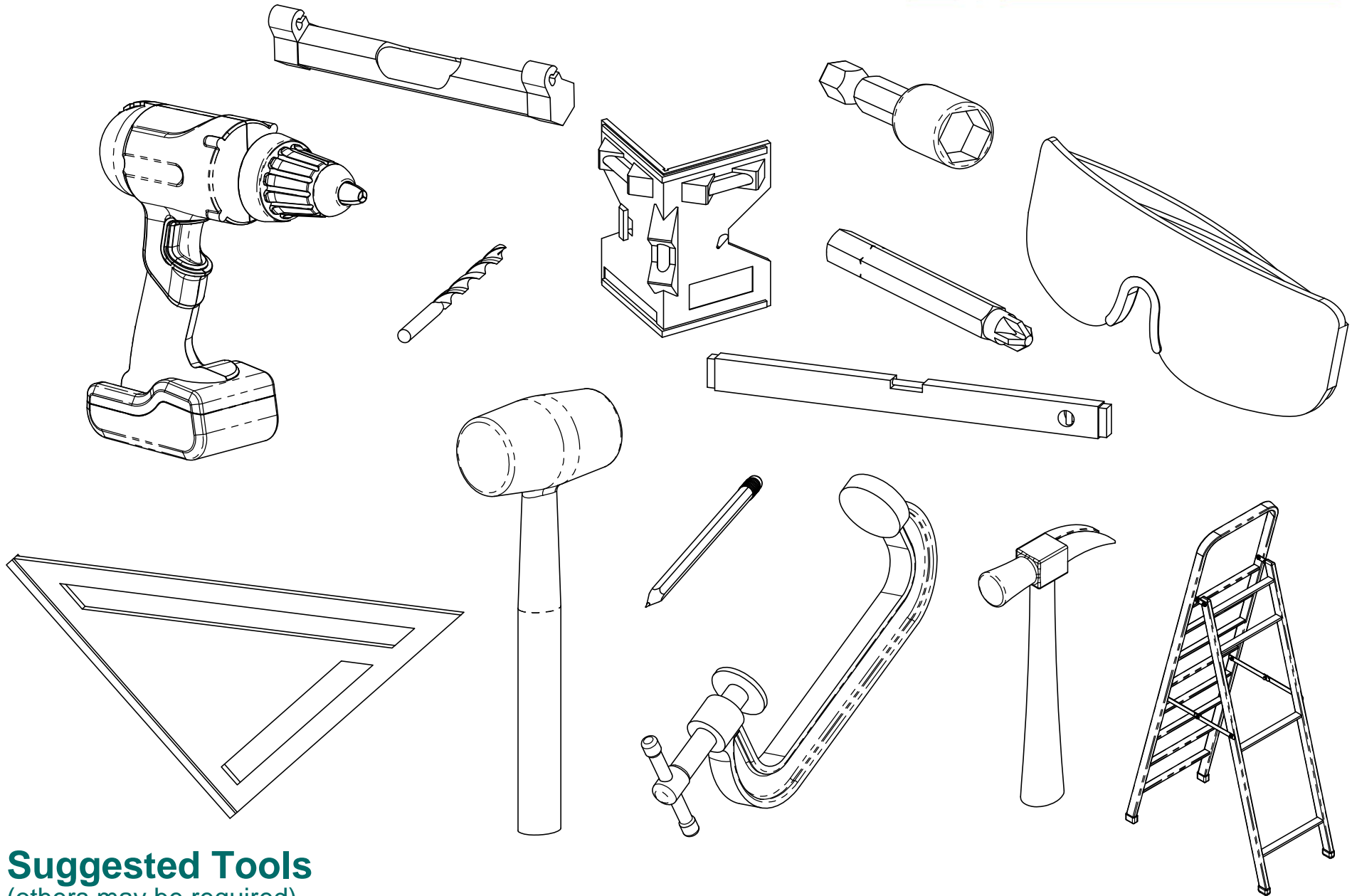
OZCO BUILDING PRODUCTS



Printing Documents from ISSUU

Unfortunately, there is currently no way to print content directly through issuu. To print a publication, you will need to download it and print it from your computer.

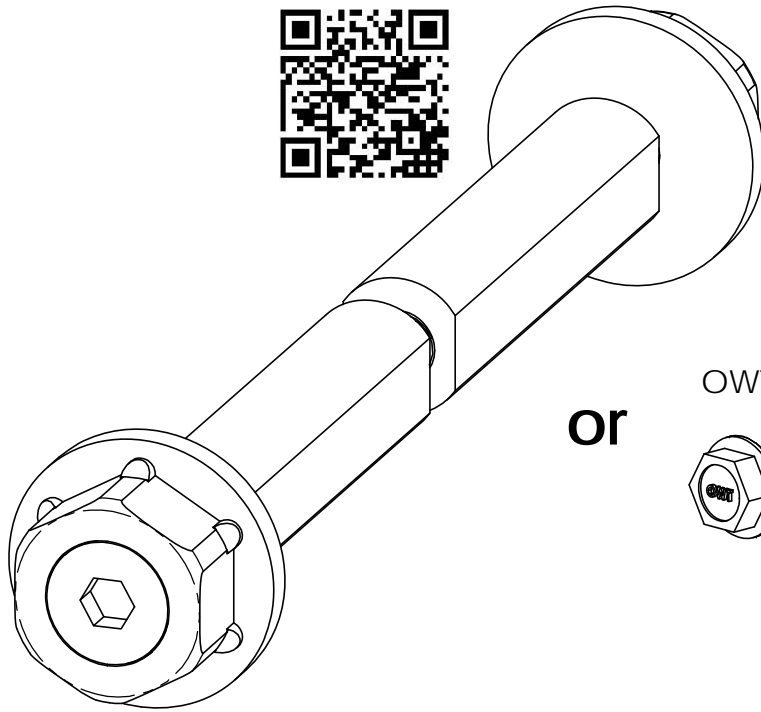




Suggested Tools (others may be required)

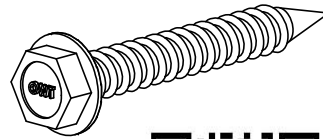
Installation Instructions, OZCO Truss System

OWT Timber Bolt

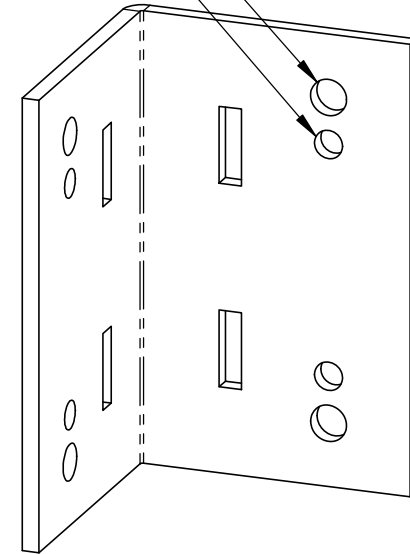


or

OWT Timber Screw



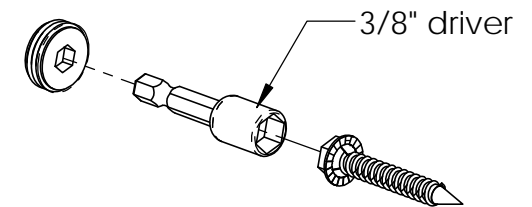
Timber Bolt mounting hole
Timber Screw mounting hole



Reference 56615
(all Truss connectors have both mounting holes)

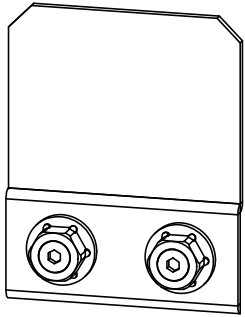
Fasteners purchased separately.

Must be selected based on length and strength requirements

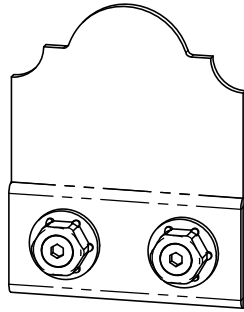


Fasteners

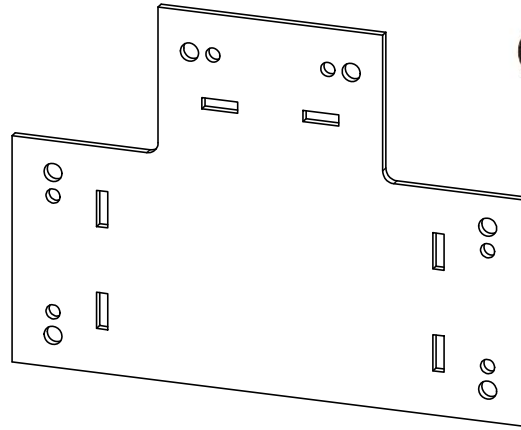
Installation Instructions, OZCO Truss System



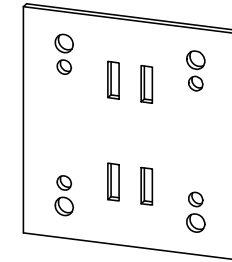
51711
(accessory)
2 per package
used with all Truss
connectors



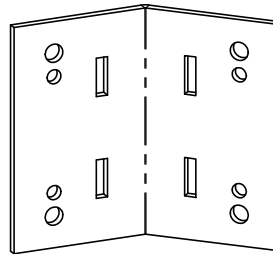
56611
(accessory)
2 per package
used with all Truss
connectors



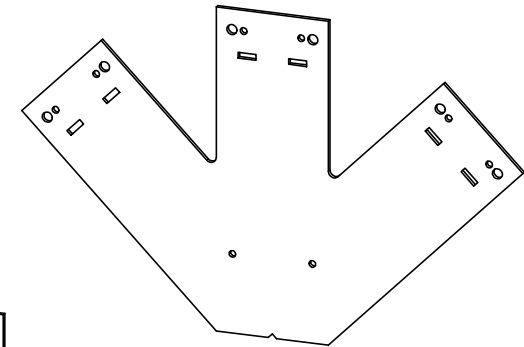
56612
2 per package



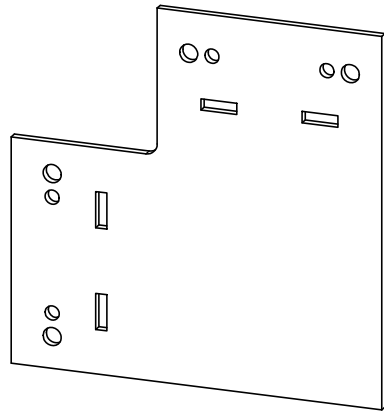
56613
2 per package



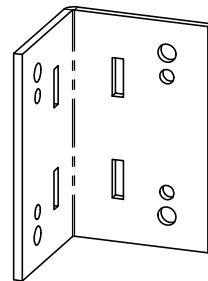
56616
2 per package



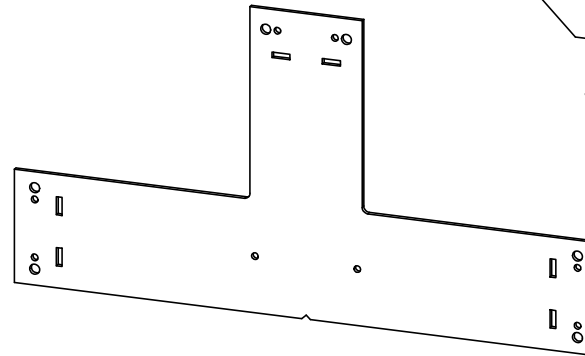
56646



56614
2 per package



56615
2 per package

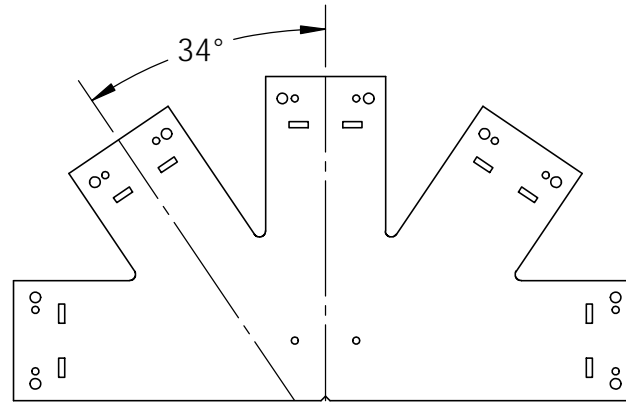


56645

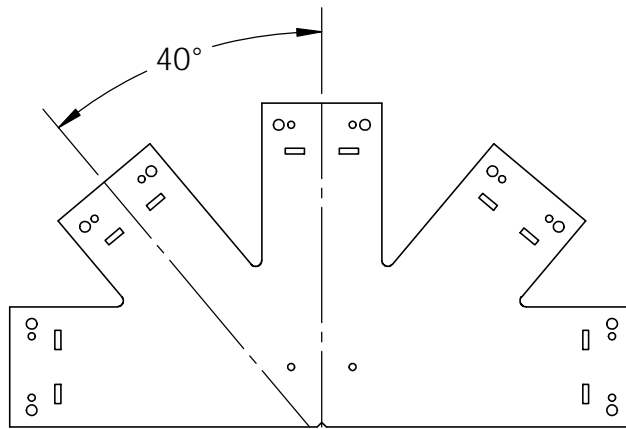
Truss Ties & Accent

Installation Instructions, OZCO Truss System

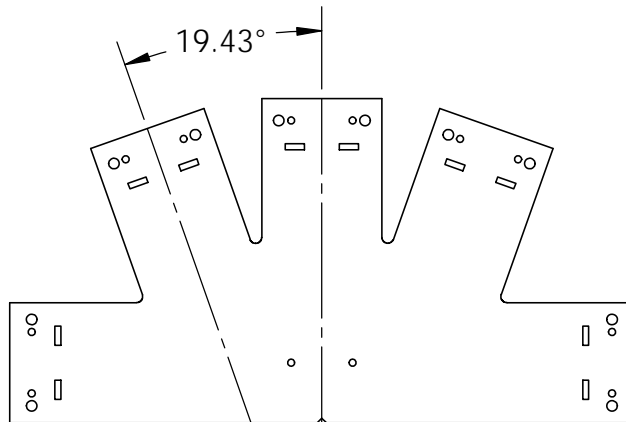
56619
8:12 Truss Base Fan
(TBF-8-12)



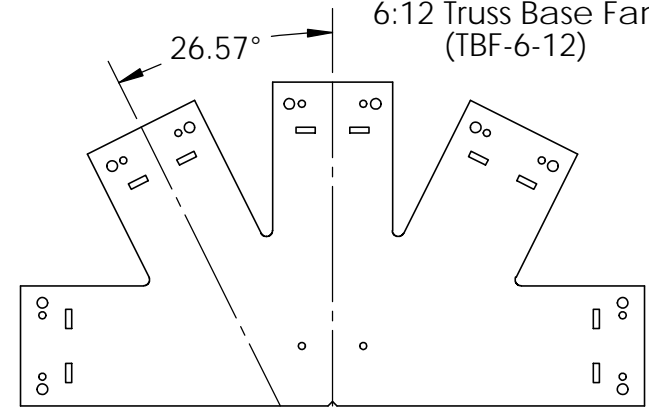
56620
10:12 Truss Base Fan
(TBF-10-12)



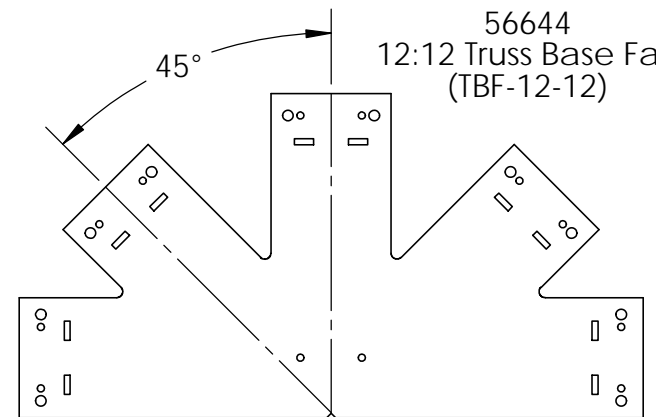
56642
4:12 Truss Base Fan
(TBF-4-12)



56643
6:12 Truss Base Fan
(TBF-6-12)

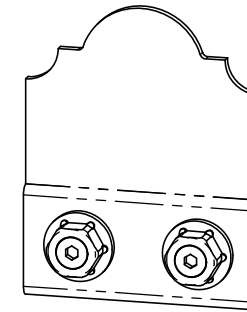
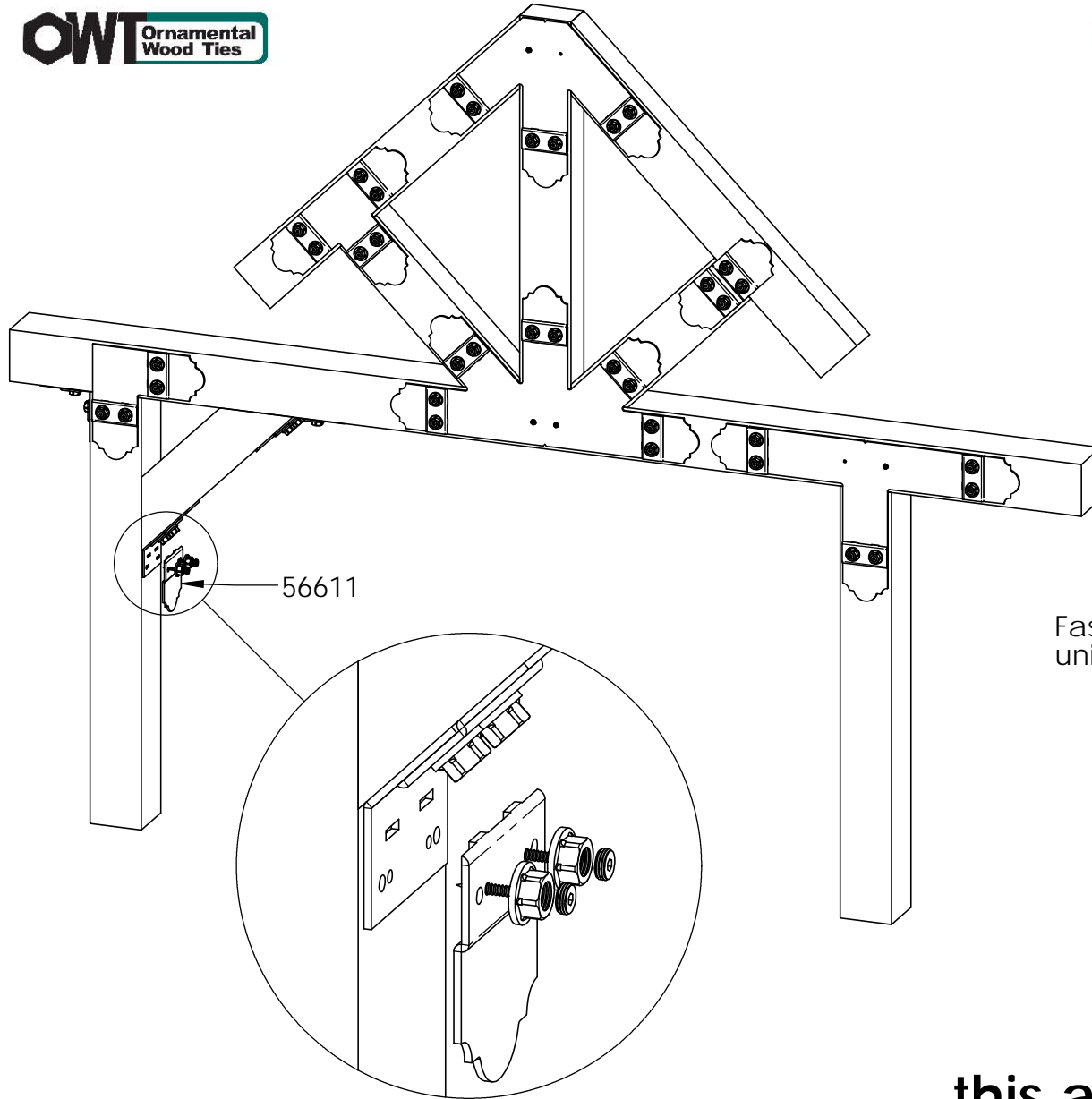


56644
12:12 Truss Base Fan
(TBF-12-12)

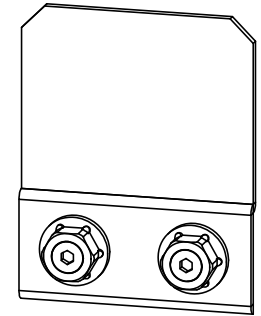


Truss Base Fan

Installation Instructions, OZCO Truss System



5661
(accessory)
2 per package
used with all Truss
connectors



51711
(accessory)
2 per package
used with all Truss
connectors

Fastener NOT included as each installation is unique depending on strength required and lumber size used

[see Fasteners page](#)

56611

Installation Instructions, OZCO Truss System

**this accessory compliments
all Ozco Truss connectors**
(shown installed on all)

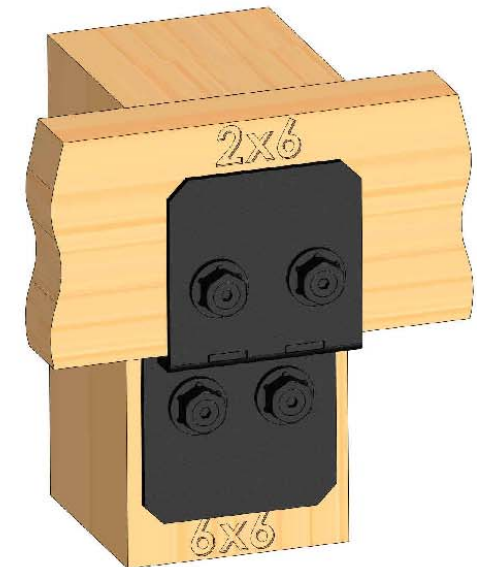
Laredo Sunset & Ironwood



Laredo Sunset
(566XX series)

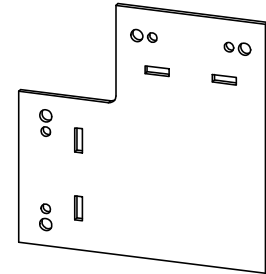
2 great styles
Same functionality
choose your
connection lifestyle

both styles available for
most products

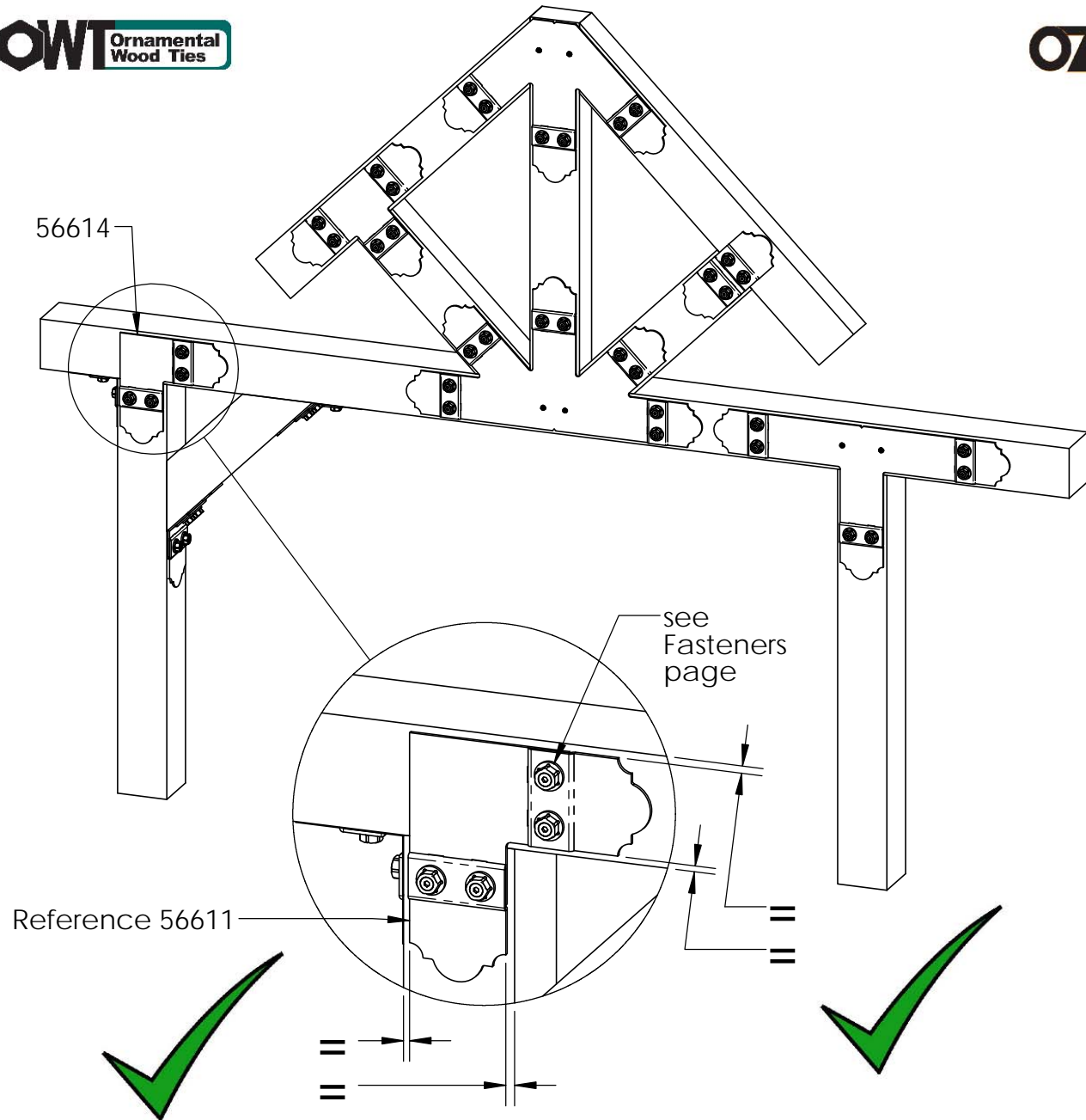


Ironwood
(517XX series)



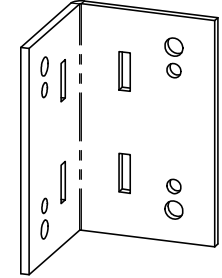
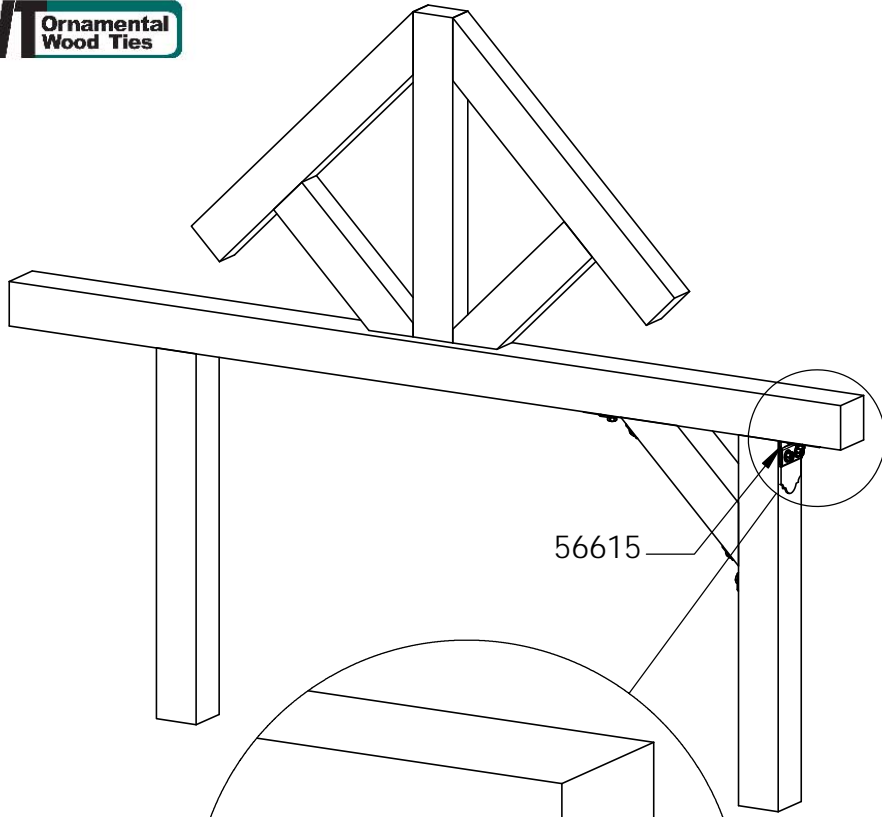


56614
2 per package

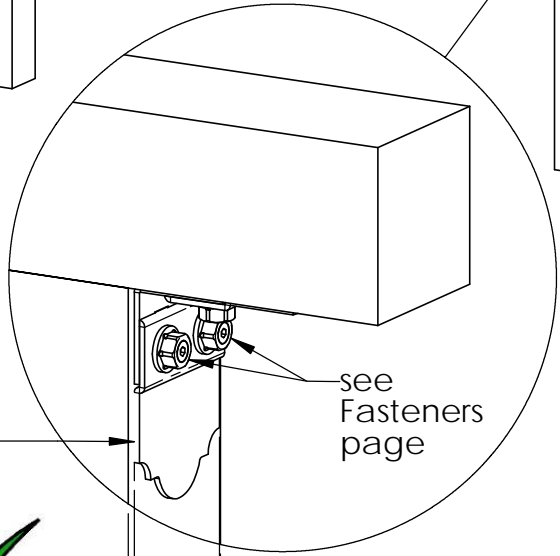


56614

Installation Instructions, OZCO Truss System

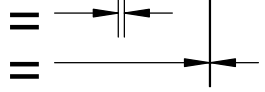
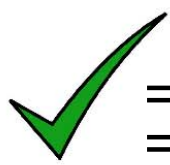


56615
2 per package



Reference 56611

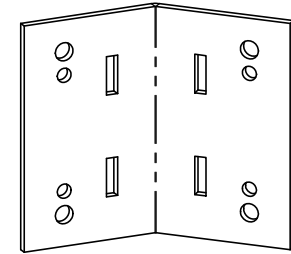
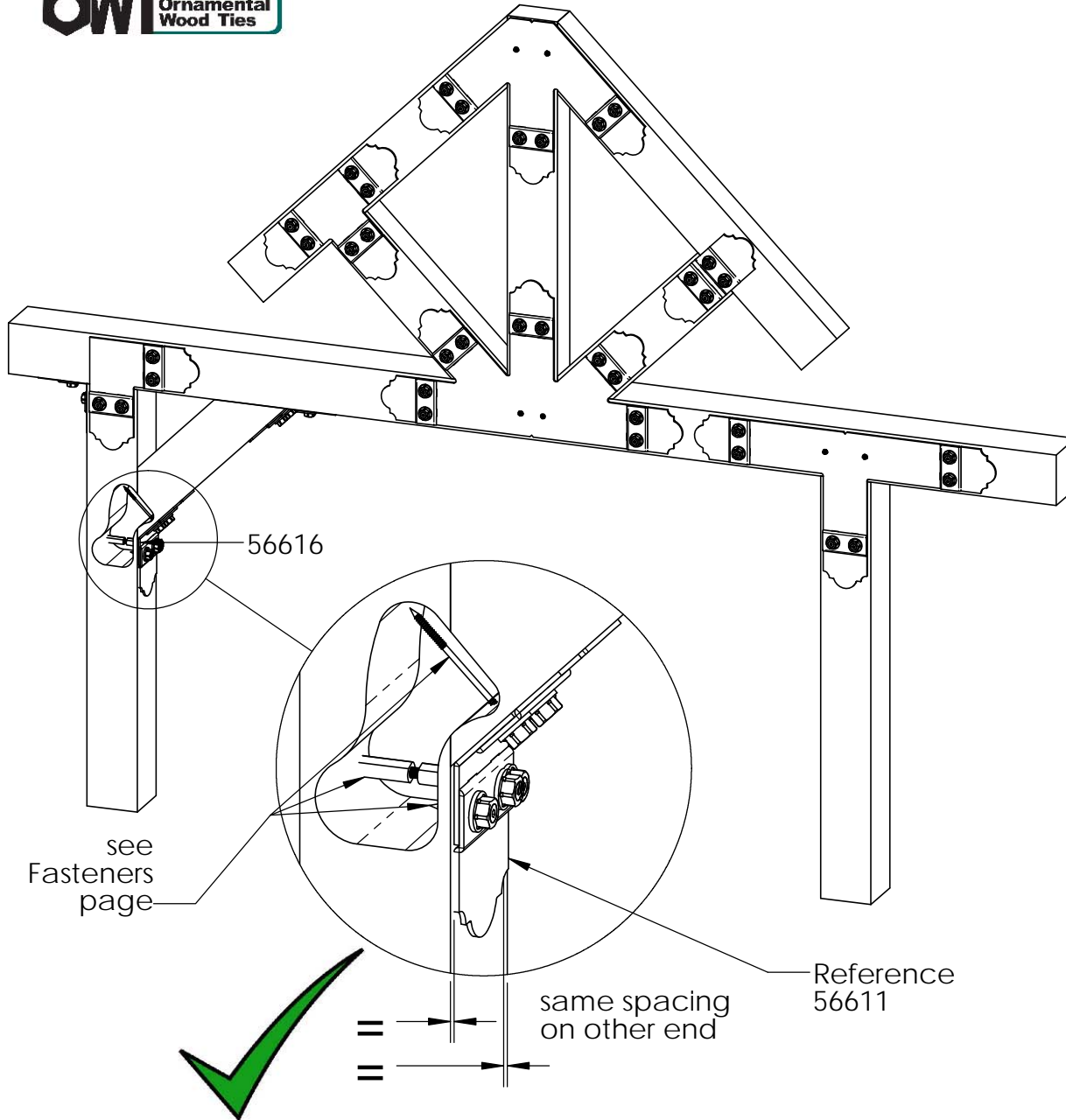
see
Fasteners
page



same spacing
on other end

56615

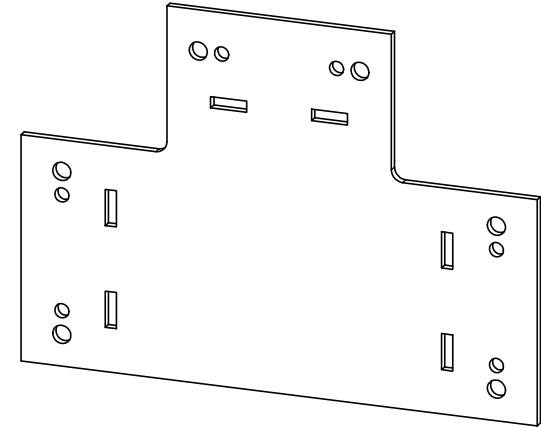
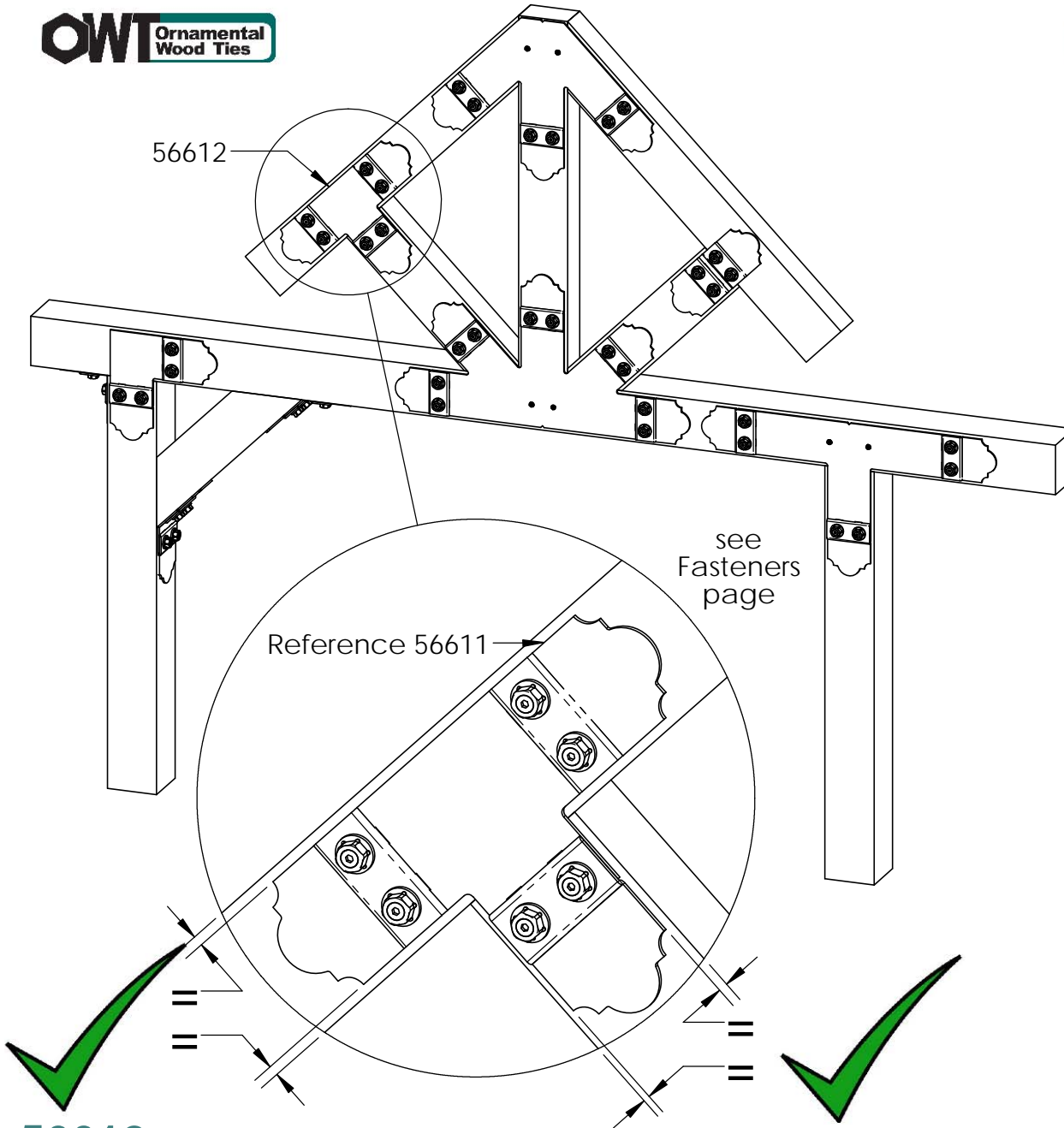
Installation Instructions, OZCO Truss System



56616
2 per package

56616

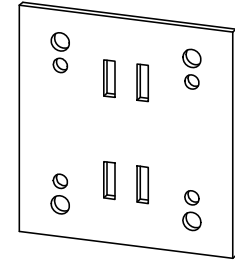
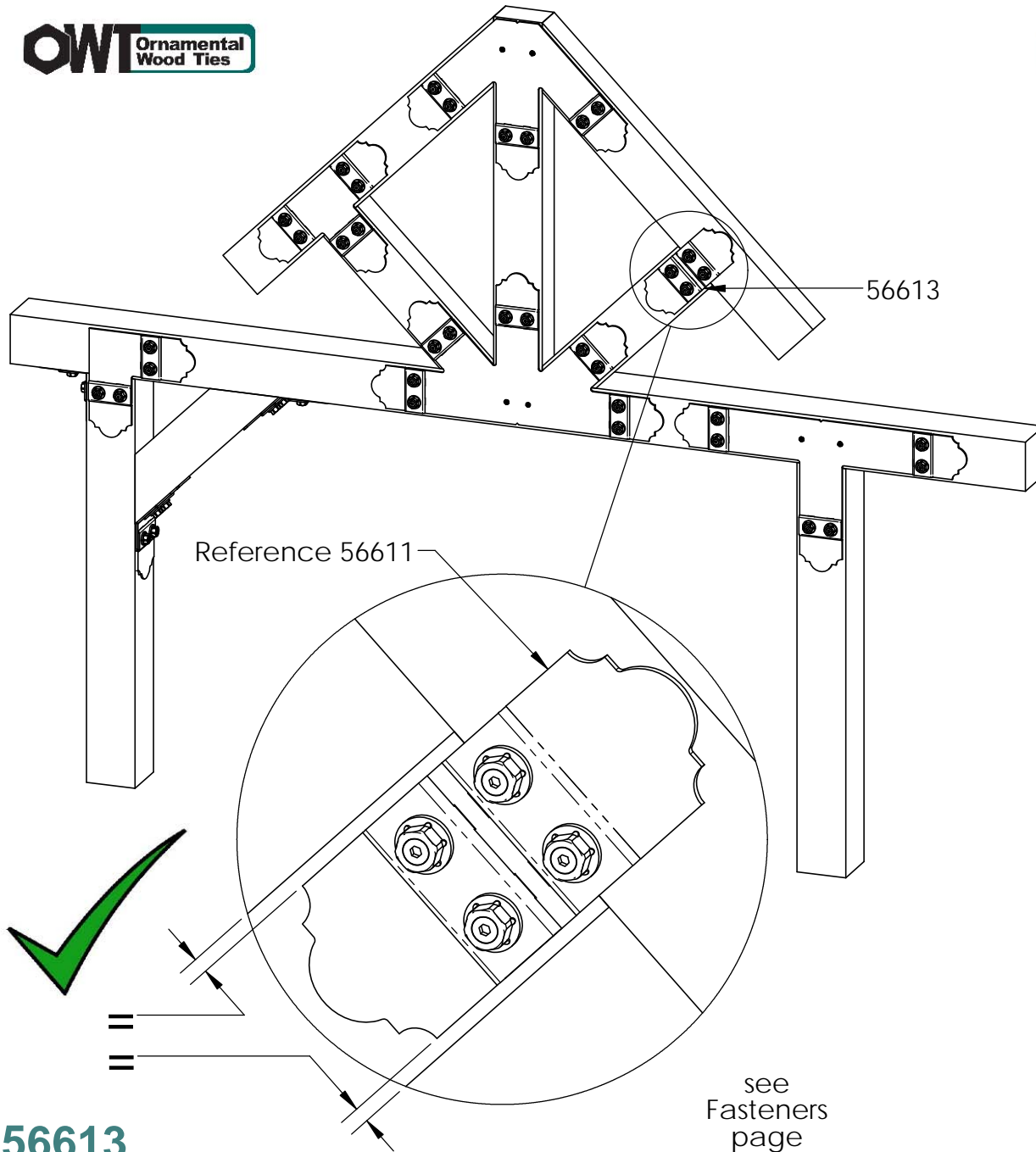
Installation Instructions, OZCO Truss System



56612
2 per package

56612

Installation Instructions, OZCO Truss System

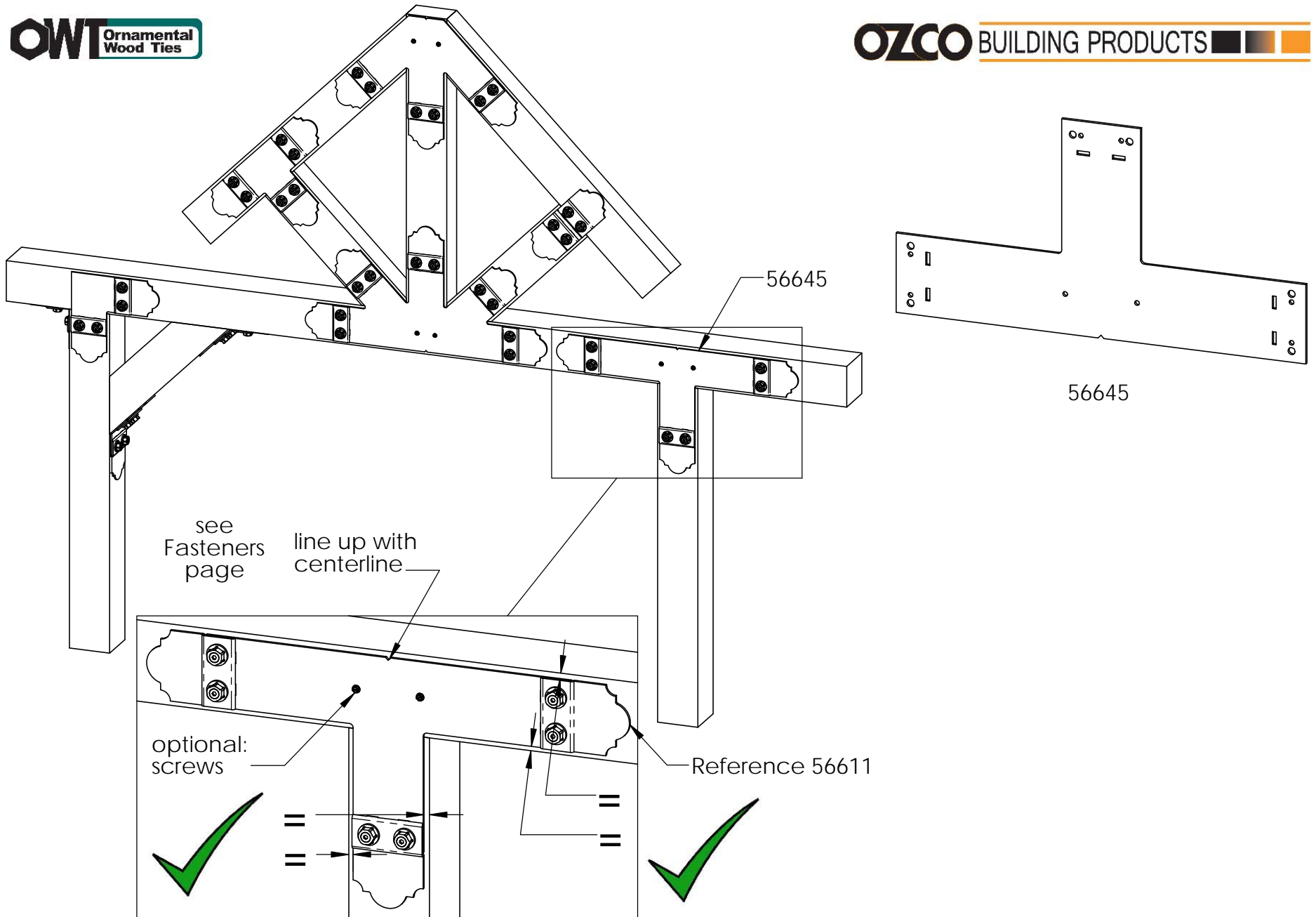


56613
2 per package

56613

Installation Instructions, OZCO Truss System

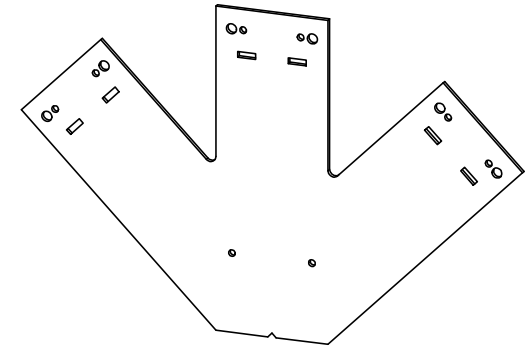
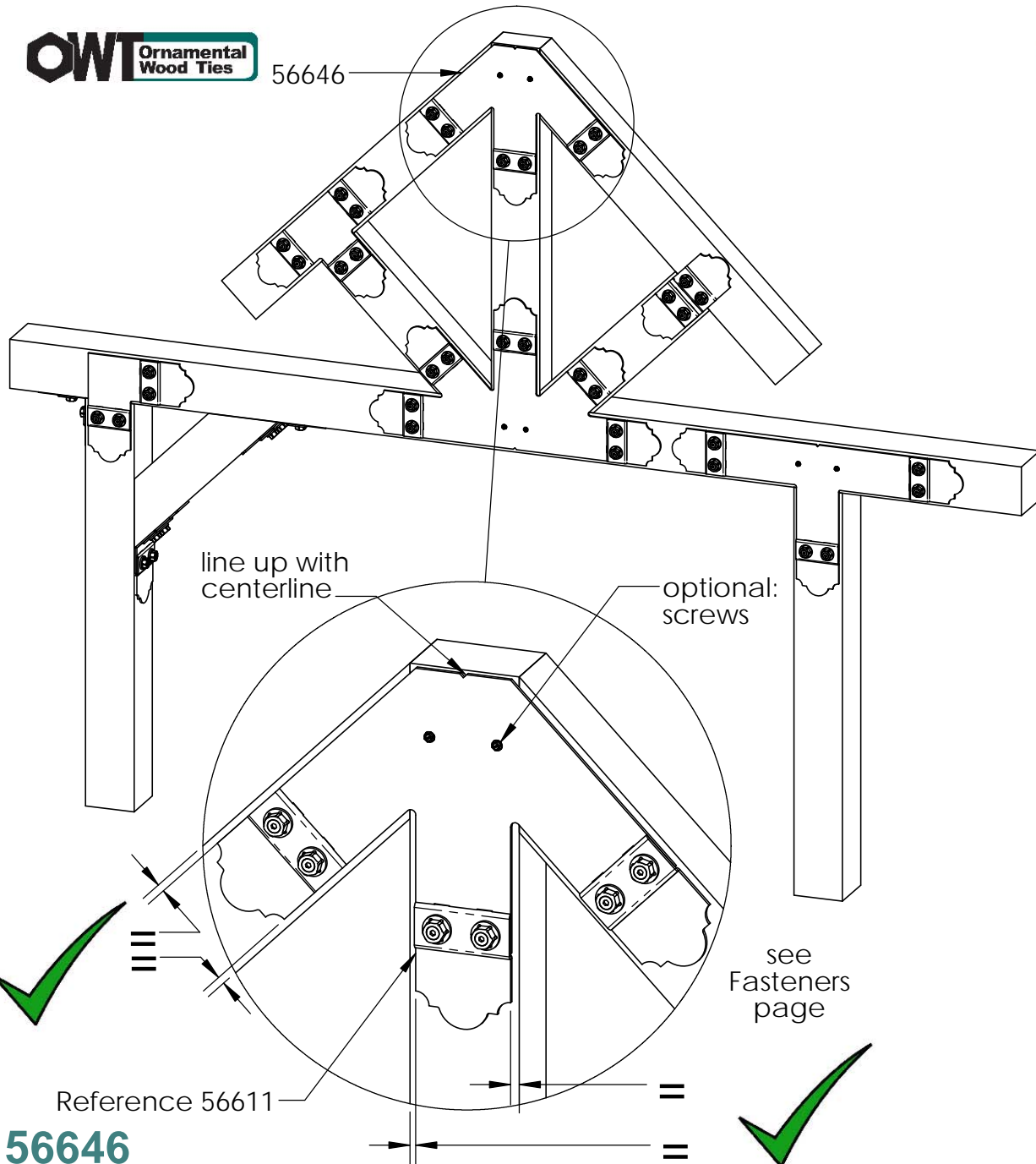
see
Fasteners
page



56645

Installation Instructions, OZCO Truss System

56646

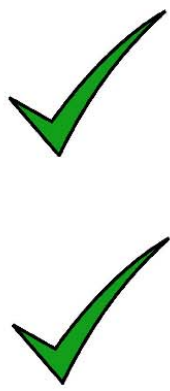
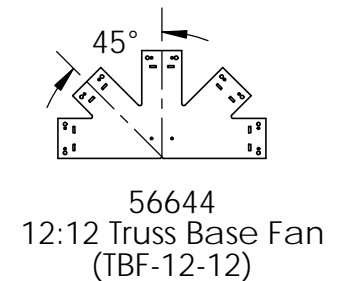
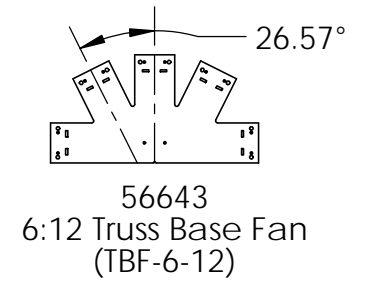
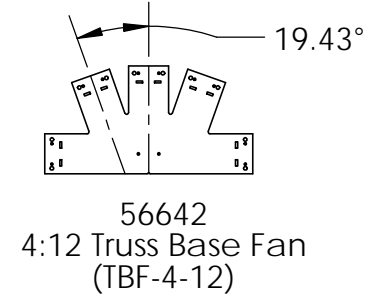
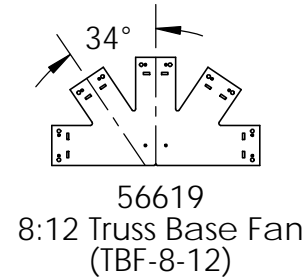
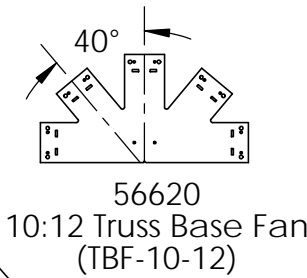
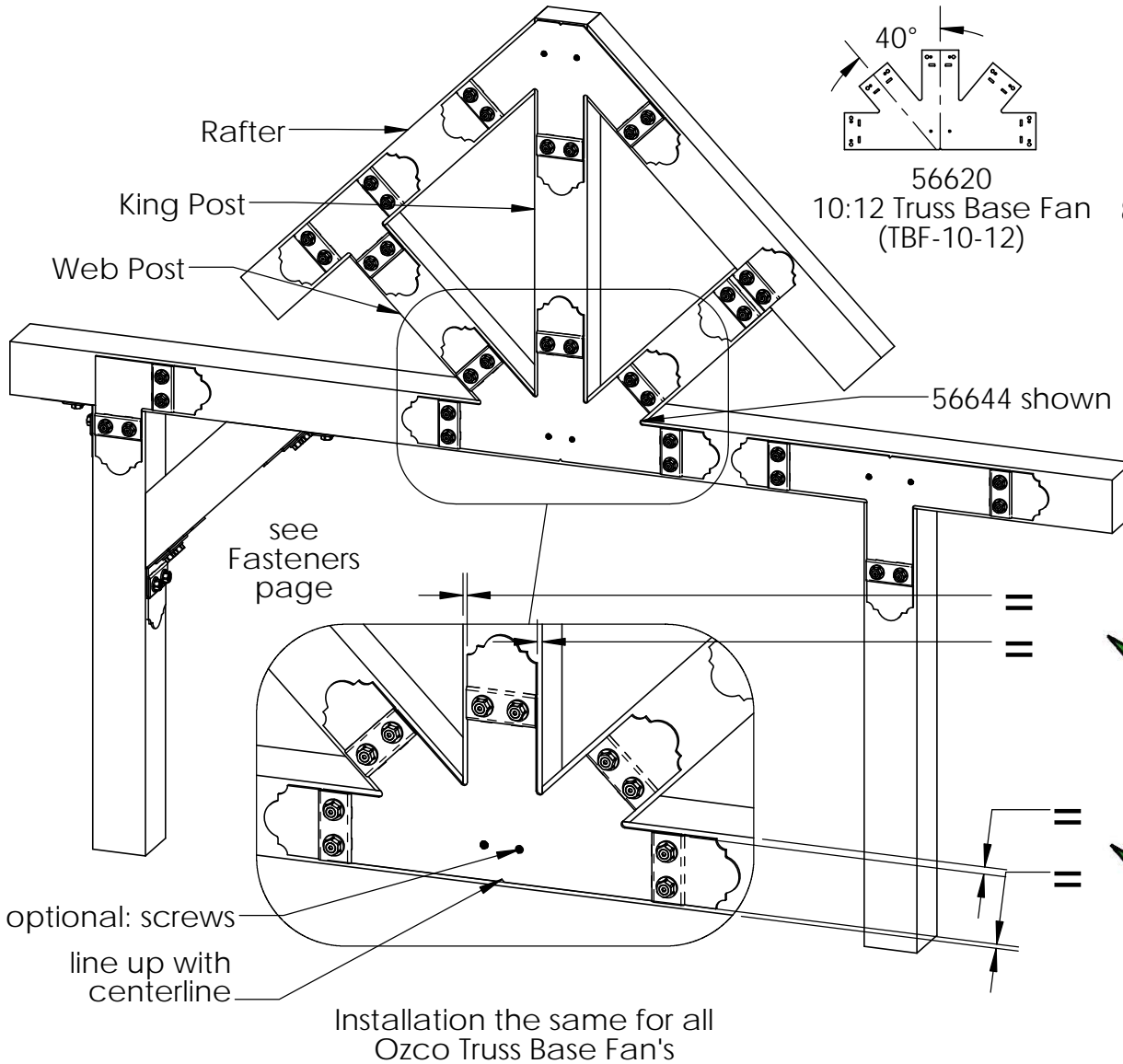


56646
(shown installed inverted)

56646

Installation Instructions, OZCO Truss System

see
Fasteners
page



for details on King post, Web Post & Rafter cuts and cut lengths, see the following Ozco instructions:

- Truss Base Fan Calculator
- Truss Base Fan King & Web Post Cuts
- Truss Base Fan Custom Angle

Truss Base Fan

Installation Instructions, OZCO Truss System