





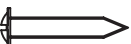



Professional Series Island Installation



1.  
Ø7.5 Plastic gecko
Qty: 8PCS

2.  
M5*40 Qty: 8PCS

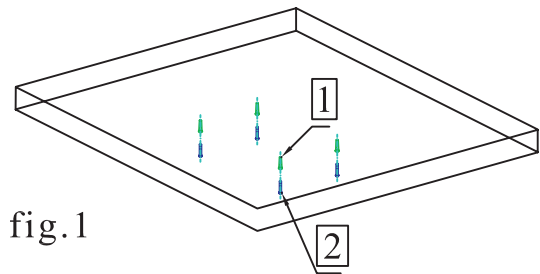
3.  
M4*12 Qty: 36PCS

4.  
M4*20 Qty: 2PCS

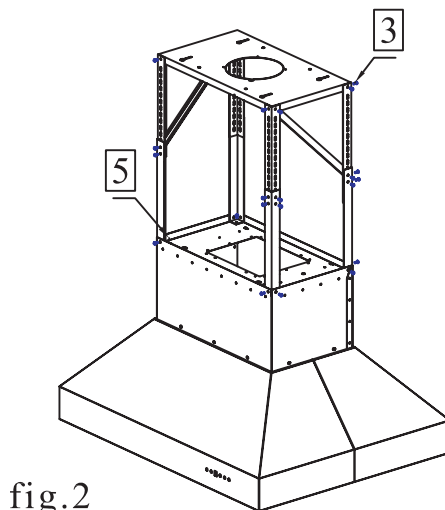
5.  
M4 Qty: 32PCS

6.  
Ø5.2*15 Qty: 8PCS

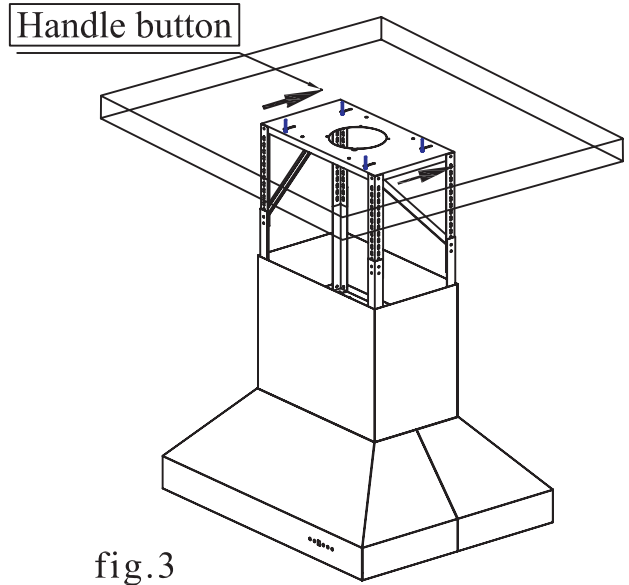
Step one: Position your mounting plate centered above your range. Mark the mounting holes. Take the mounting plate down and screw your mounting screws into place. fig.1



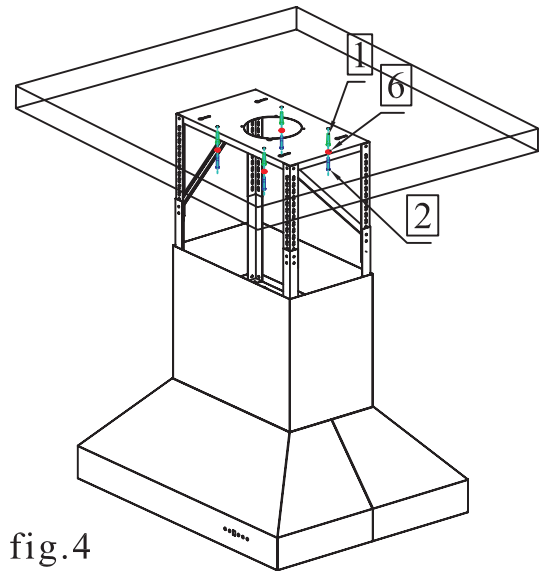
Step two: Measure how far off the range you would like to mount the hood. Adjust the brackets provided to the desired height. Connect the top mounting plate, mounting legs, and the main hood using the screws provided. fig 2.



Step three: Take the chimney sections and separate slightly to reveal the vent slots. Next take the hood and slide the top mounting bracket over the mounting screws and slide back into position. fig 3. Make your electrical and duct connections at this point using 8 inch rigid ducting wherever possible.



Step four: Tighten the top mounting screws, securing the top mounting plate to the ceiling. fig 4.



Step five: Slide the inner chimney up over the top mounting plate securing with two screws provided. Pull the lower section down to rest on top of the main hood. fig 5.

