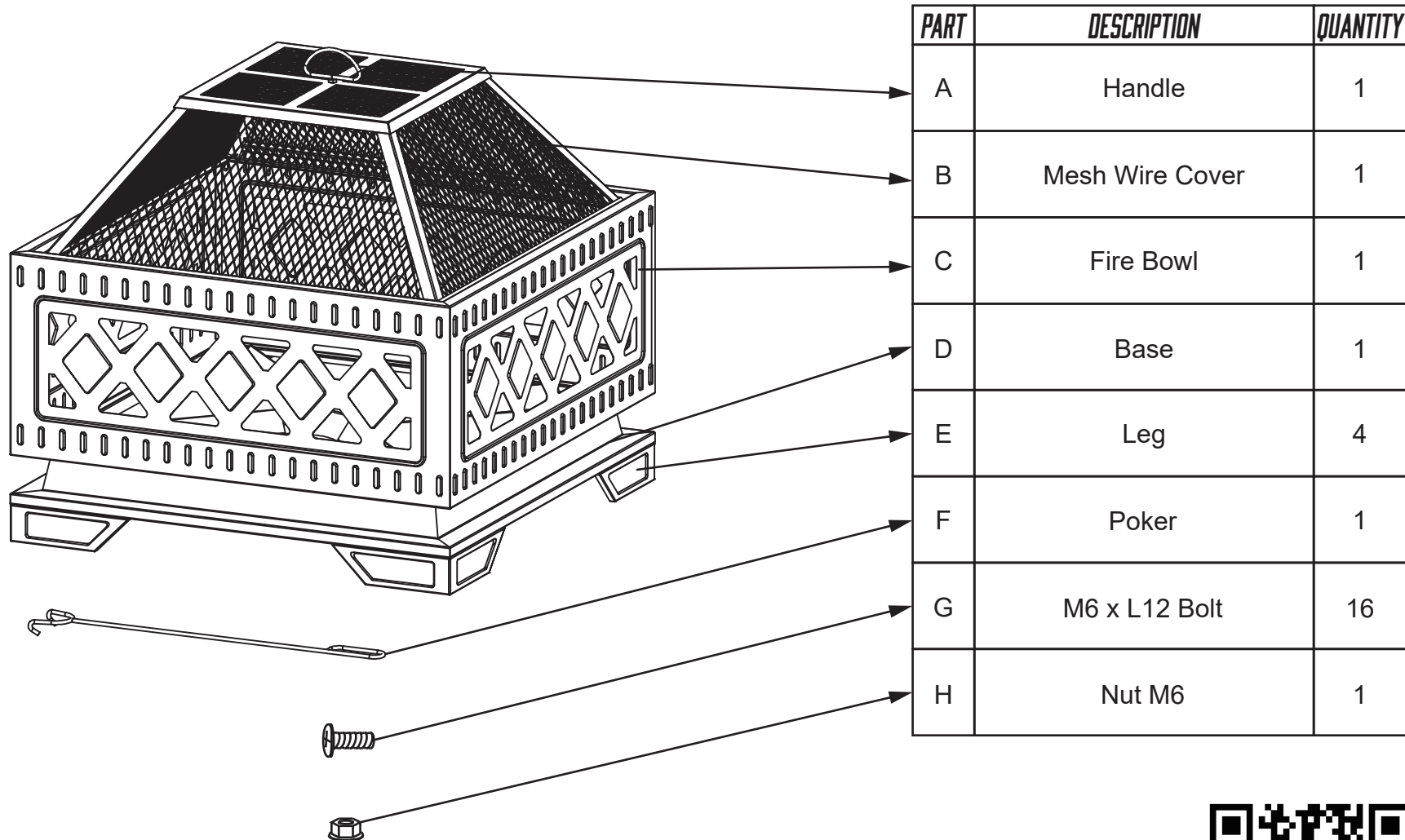


METAL FIRE PIT

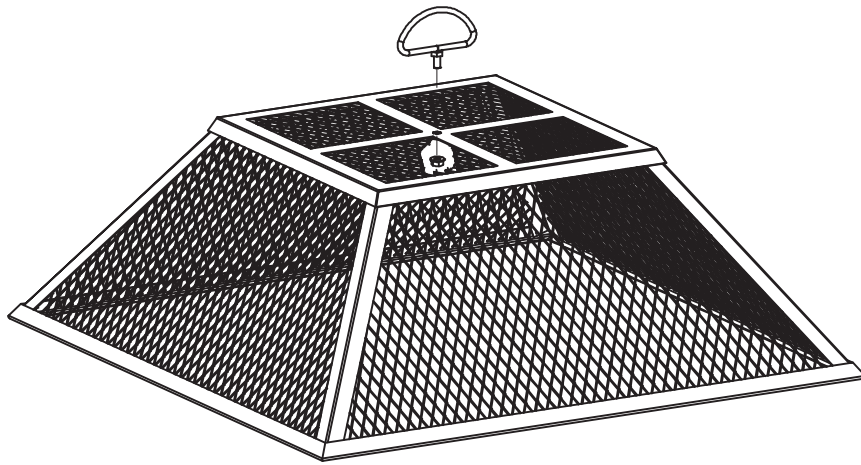


<i>PART</i>	<i>DESCRIPTION</i>	<i>QUANTITY</i>
A	Handle	1
B	Mesh Wire Cover	1
C	Fire Bowl	1
D	Base	1
E	Leg	4
F	Poker	1
G	M6 x L12 Bolt	16
H	Nut M6	1

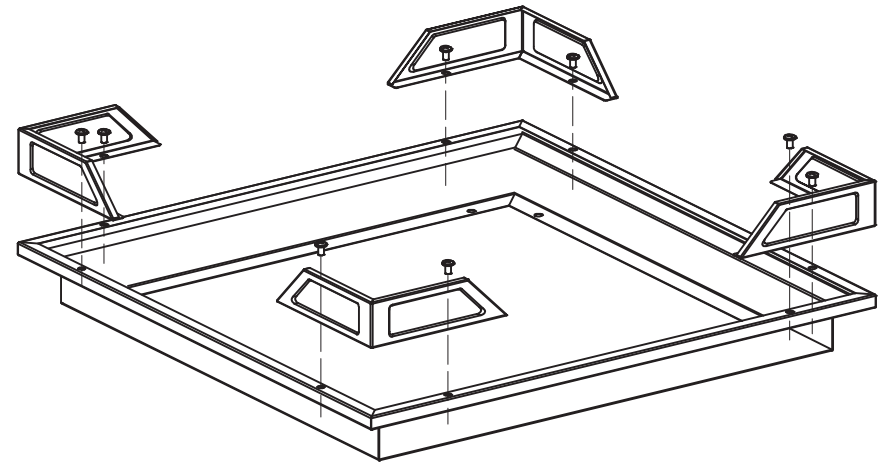
Thanks for choosing Abble Inc products. We'd love to hear your thoughts, and so would other customers. If you are satisfied with our products and service, please let us know. If you have questions or feedback, we're here to help! cs@ableinc.com.
(We will reply you within 24 business hours)



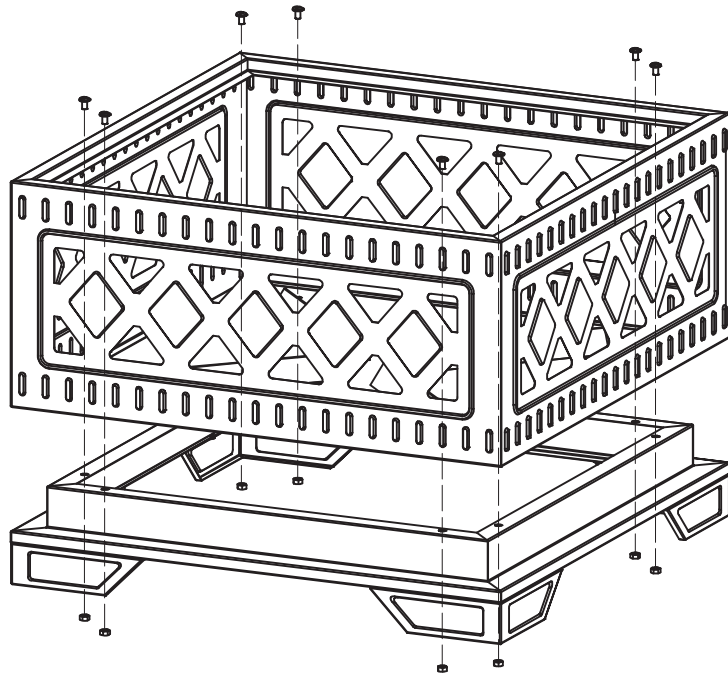
www.ablestore.com



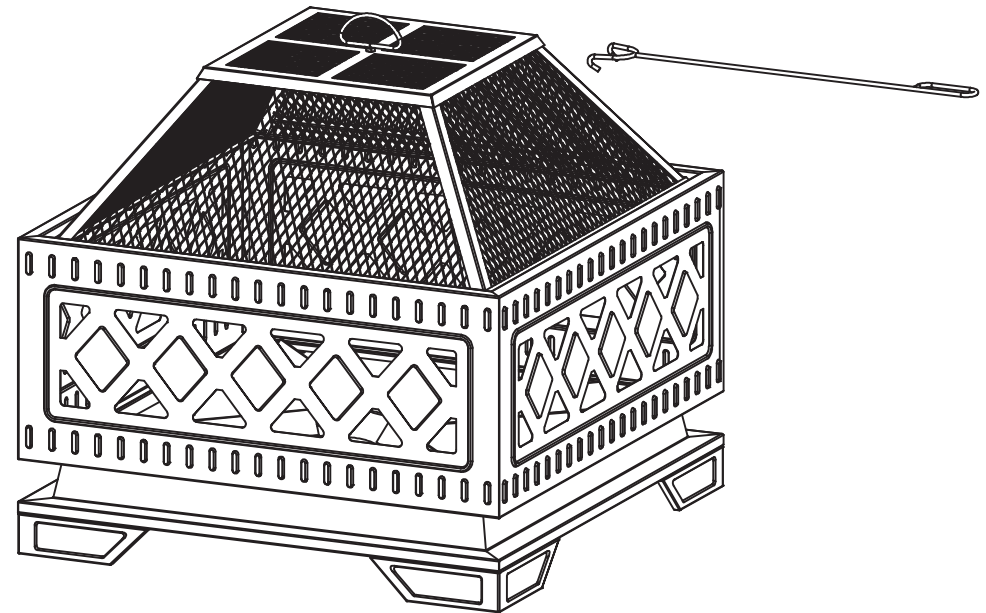
Step 1: Connect Handle (A) and Mesh Wire Cover (B) by using Nut M6 (H) and tighten with wrench.



Step 2: Turn over the base (D) and contact it with Leg (E) by using Bolt (G).



Step 3: Contact the Fire Bowl (C) with the Base (D) by using Bolt (G).



Step 4: Put Mesh Wire Cover (B) on the fire bowl.